



US00D914121S

(12) **United States Design Patent**  
**McGowan**

(10) **Patent No.:** **US D914,121 S**

(45) **Date of Patent:** **\*\* Mar. 23, 2021**

(54) **SNOWBOARD HOOK**

(71) Applicant: **Ian McGowan**, Grand Junction, CO  
(US)

(72) Inventor: **Ian McGowan**, Grand Junction, CO  
(US)

(\*\*) Term: **15 Years**

(21) Appl. No.: **29/666,523**

(22) Filed: **Oct. 12, 2018**

(51) **LOC (13) Cl.** ..... **21-02**

(52) **U.S. Cl.**  
USPC ..... **D21/774**

(58) **Field of Classification Search**  
USPC ..... D21/774, 773, 771; D8/367, 371, 882;  
D6/315, 320, 323, 512  
CPC ..... A47G 25/0607; A47G 25/0614; A47G  
25/50; A63C 11/00; A63C 11/004; A63C  
11/009; A63C 11/021  
See application file for complete search history.

(56) **References Cited**

**U.S. PATENT DOCUMENTS**

D330,850 S *	11/1992	Roick	.....	D8/367
6,321,470 B2	11/2001	Zazzi		
7,575,252 B2	8/2009	Smith		
D697,388 S *	1/2014	Pan	.....	D8/367
D700,041 S *	2/2014	Cobianco	.....	D8/367
D726,526 S *	4/2015	Veilleux	.....	D8/367
D737,673 S *	9/2015	McShane	.....	D8/382
D753,472 S *	4/2016	Pan	.....	D8/371

D814,276 S *	4/2018	Ressler	.....	D8/382
D836,544 S *	12/2018	Tuffy	.....	D13/108
D837,043 S *	1/2019	Rehhahn	.....	D8/382

\* cited by examiner

*Primary Examiner* — Zenia I Bennett

(74) *Attorney, Agent, or Firm* — Kyle W. Rost

(57) **CLAIM**

The ornamental design for a snowboard hook, as shown and described.

**DESCRIPTION**

FIG. 1 is a perspective view showing environmental structures of a snowboard hook attached between a boot and a snowboard with open binding, with the snowboard, binding, and boot shown in phantom.

FIG. 2 is a magnified detail view of FIG. 1, showing the snowboard hook attached to the boot and binding, with the boot and binding shown in phantom.

FIG. 3 is an isometric view of a snowboard hook, taken from a top front left perspective.

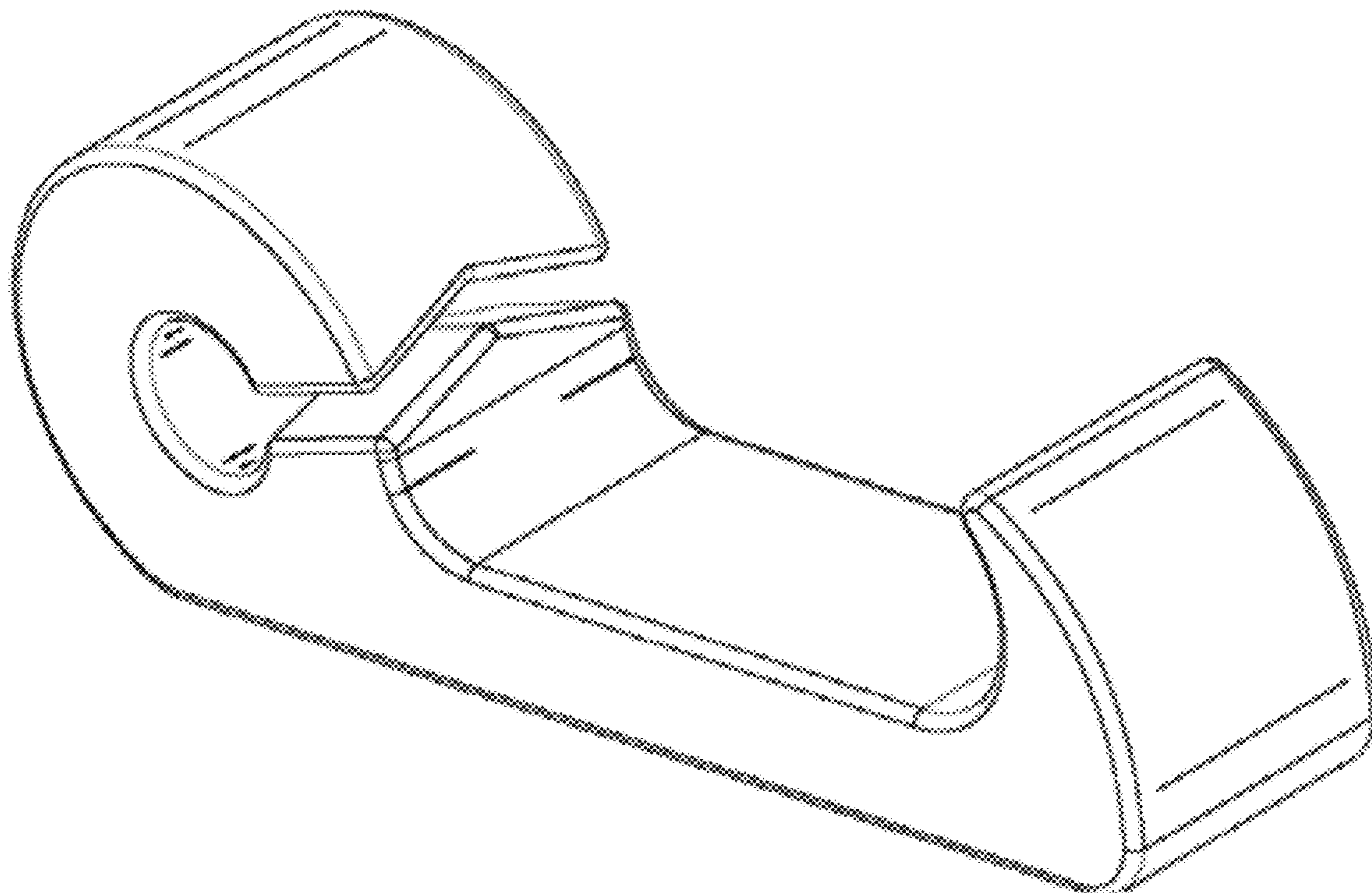
FIG. 4 is an isometric view of a snowboard hook, taken from a top rear right perspective.

FIG. 5 is an isometric view of a snowboard hook, taken from a top front right perspective; and,

FIG. 6 is an isometric view of a snowboard hook, taken from a bottom front left perspective.

The broken lines in the drawing depicting the boot, binding, and snowboard are for illustrative purposes only and form no part of the claimed design.

**1 Claim, 2 Drawing Sheets**



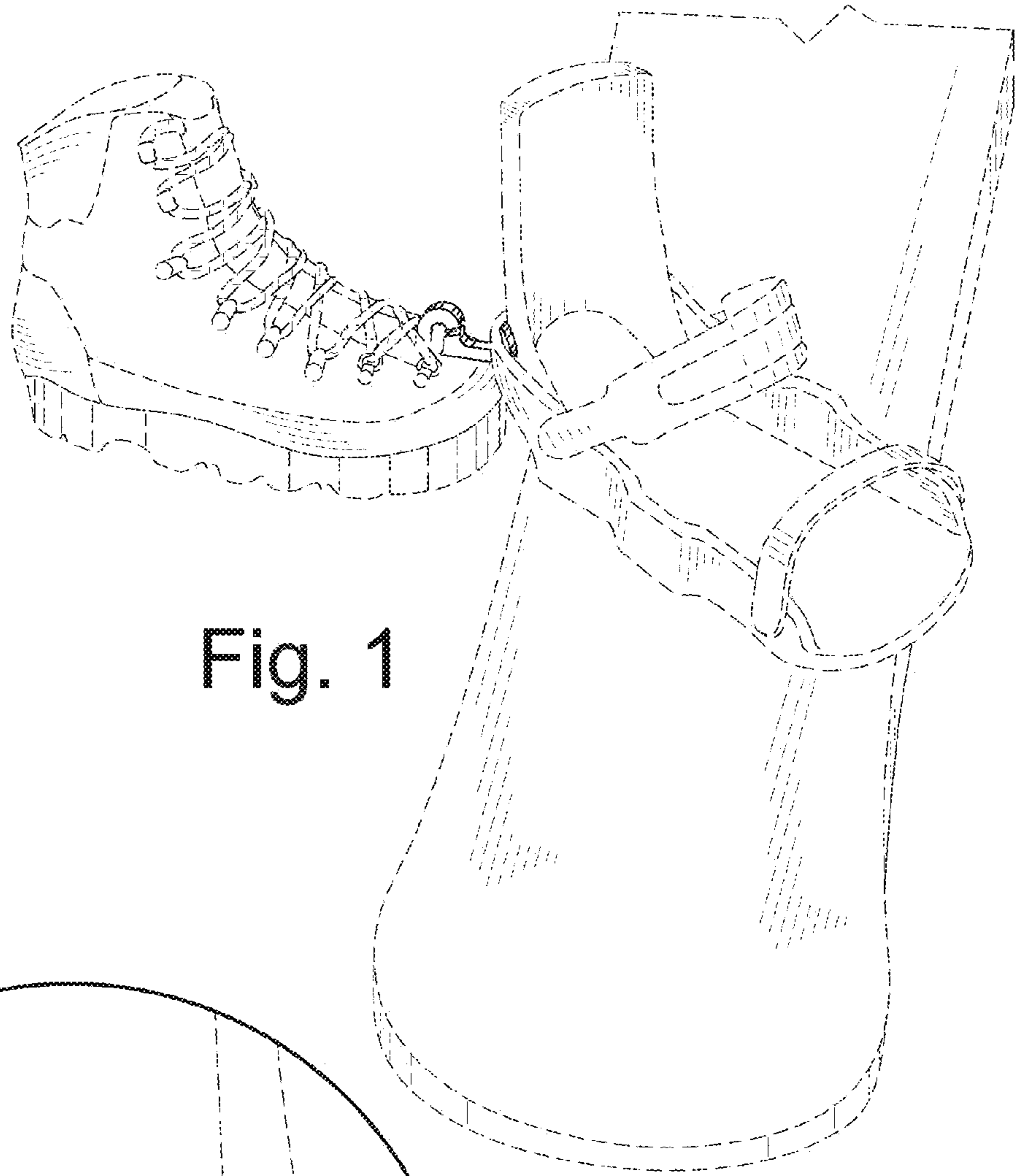


Fig. 1

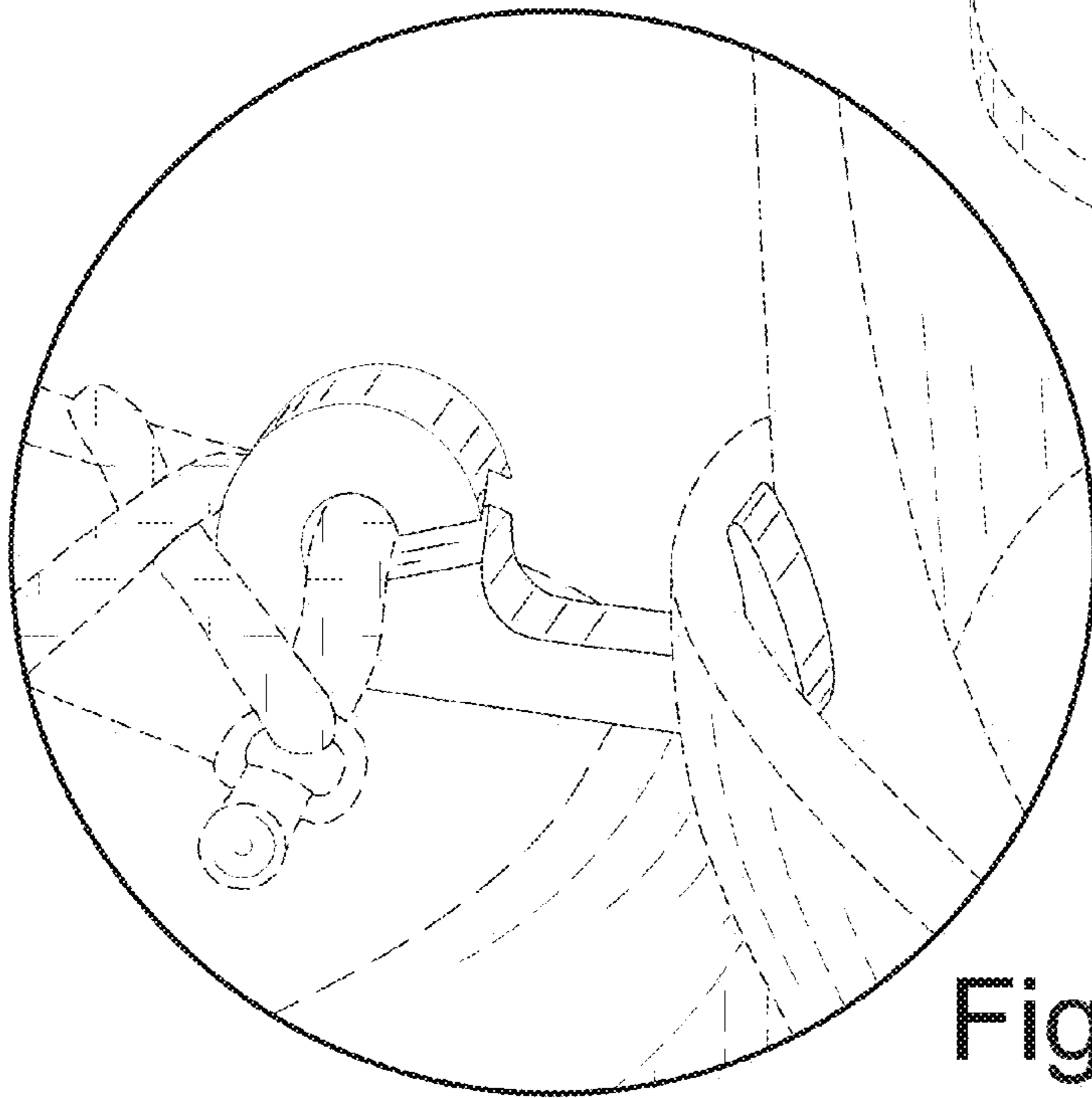


Fig. 2

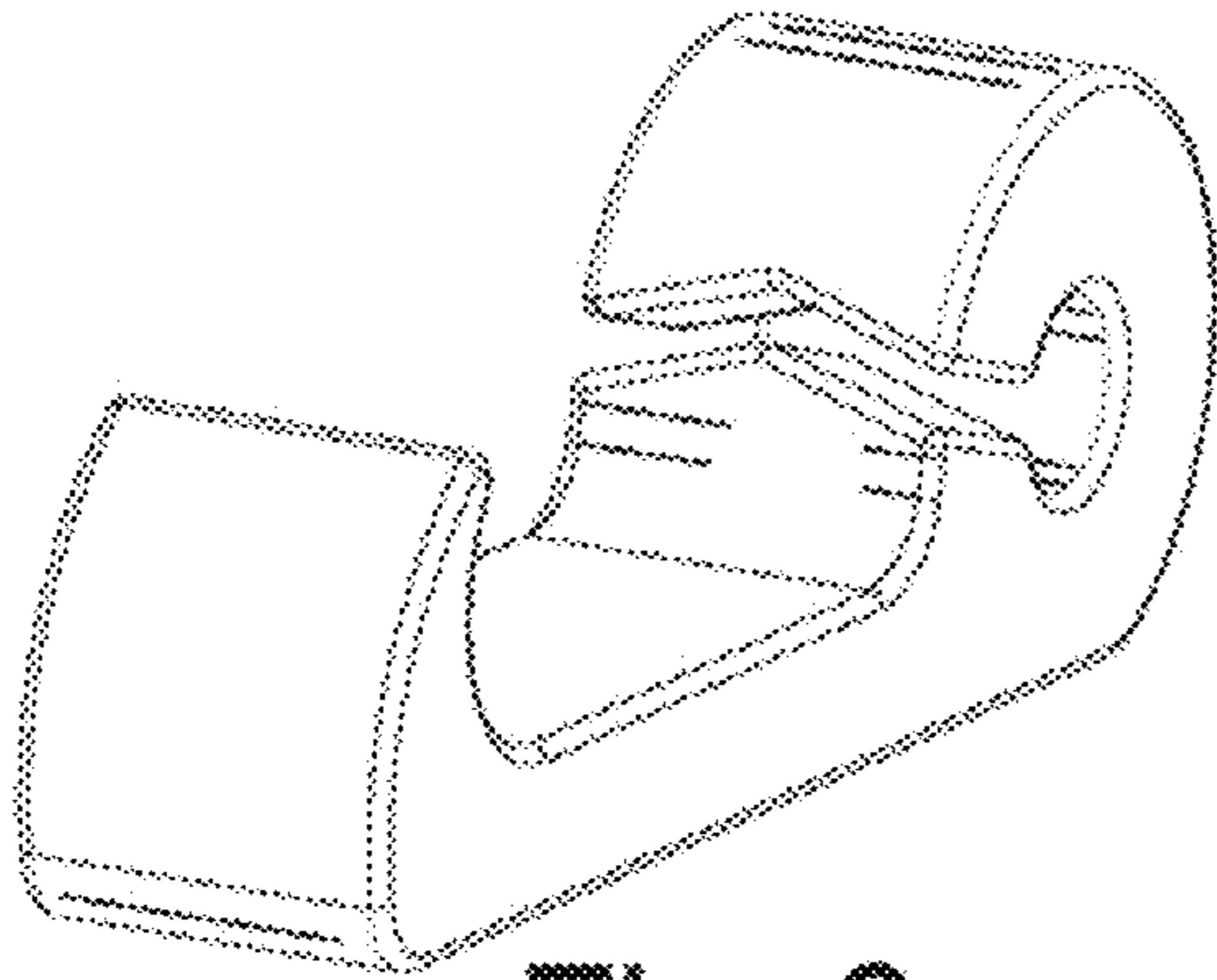


Fig. 3

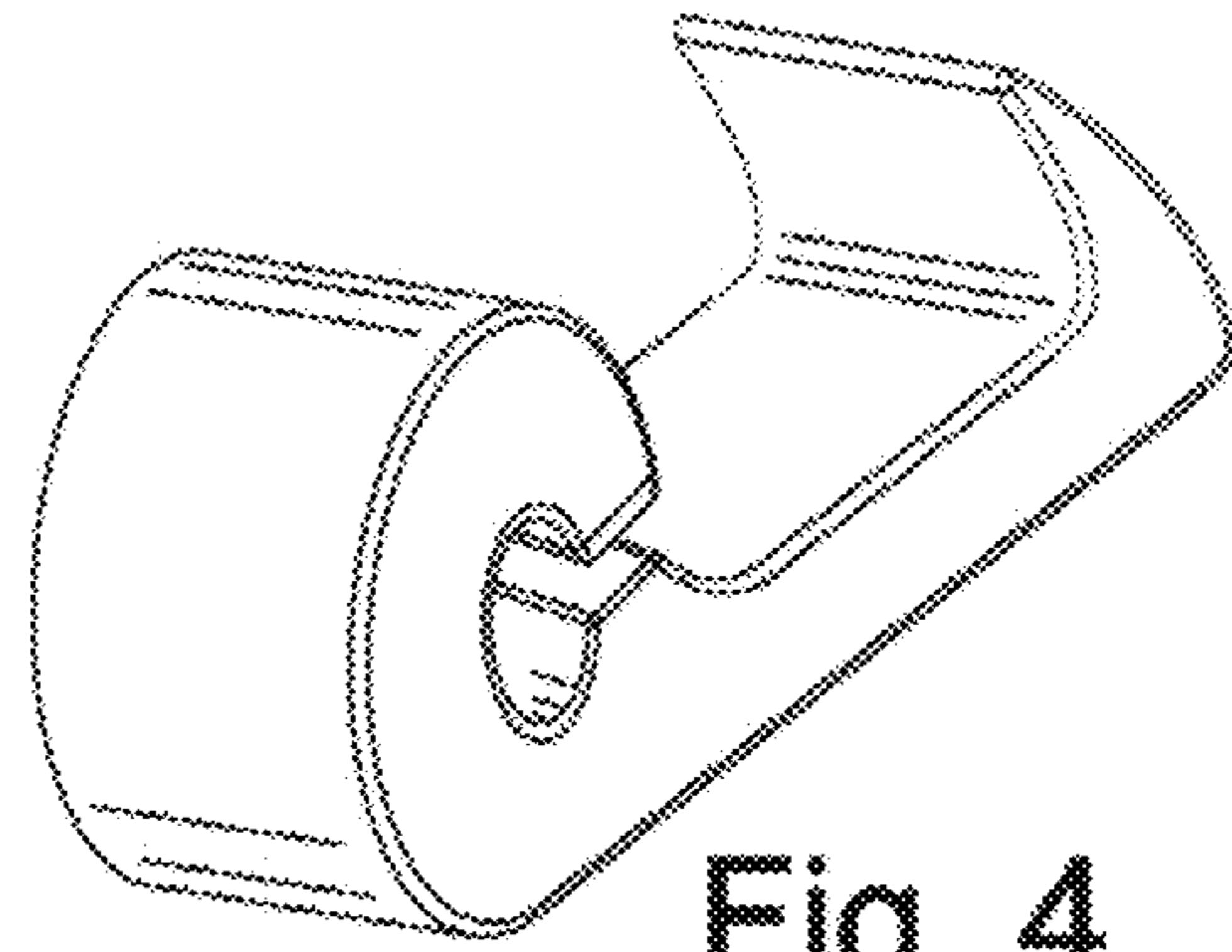


Fig. 4

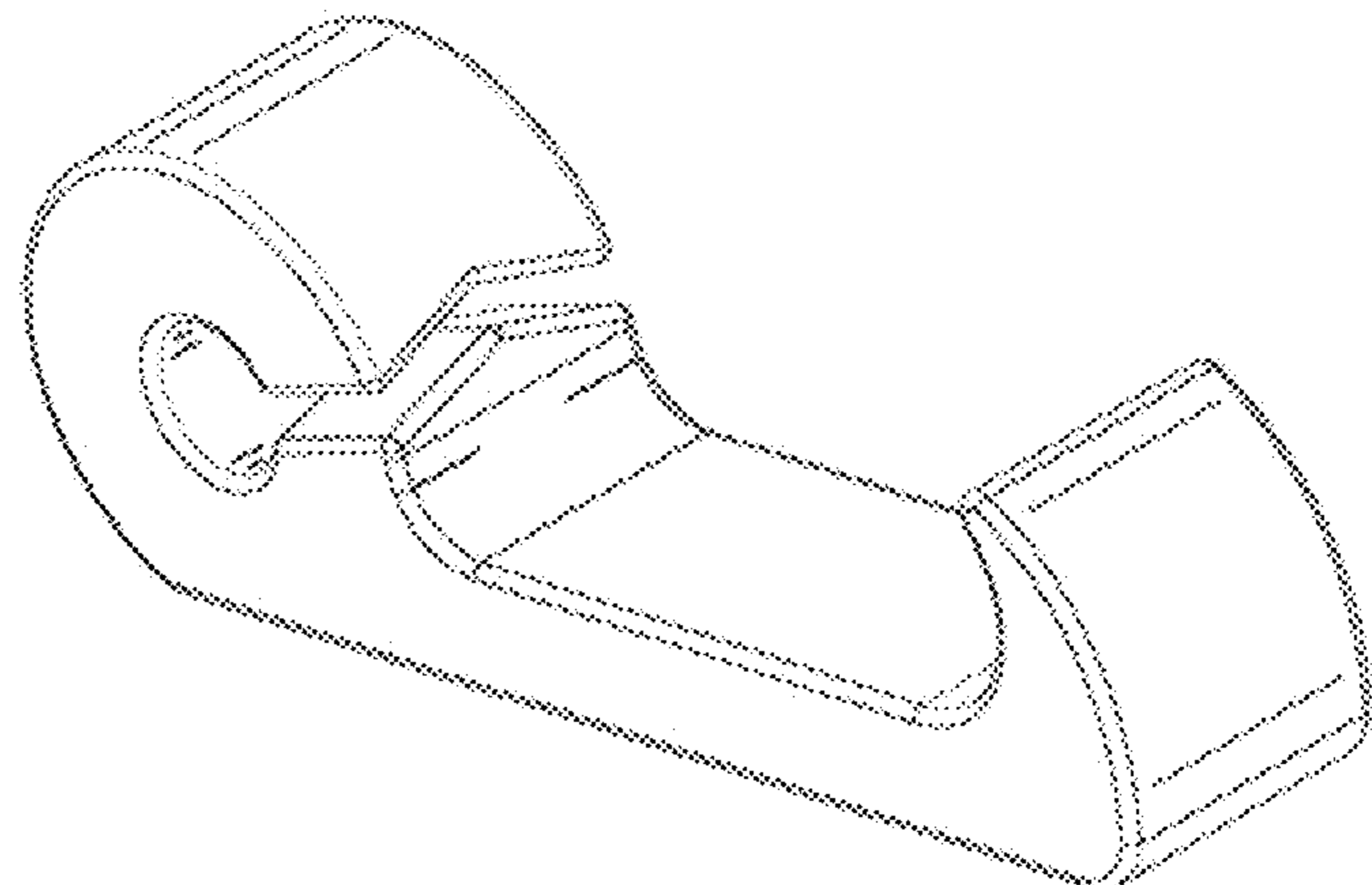


Fig. 5

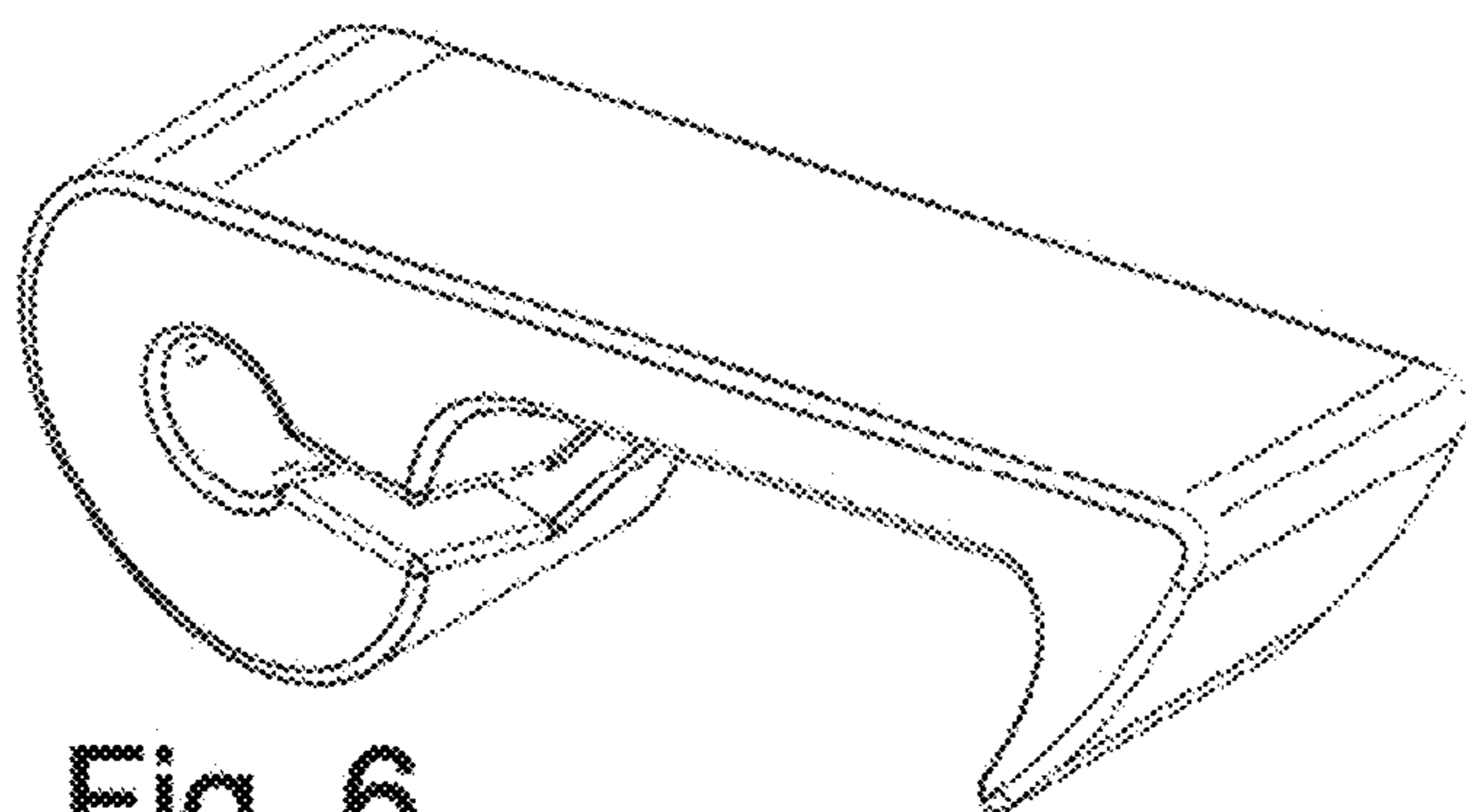


Fig. 6