



US00D914119S

(12) **United States Design Patent**  
**Crawford**

(10) **Patent No.:** **US D914,119 S**

(45) **Date of Patent:** **\*\* Mar. 23, 2021**

(54) **BATTING TEE ATTACHMENT**  
(71) Applicant: **Alfatir Crawford**, Raleigh, NC (US)  
(72) Inventor: **Alfatir Crawford**, Raleigh, NC (US)  
(\*\*) Term: **15 Years**  
(21) Appl. No.: **29/705,318**

D553,971 S \* 10/2007 Krueger ..... D8/396  
D579,068 S \* 10/2008 Souders ..... D21/753  
8,066,590 B2 \* 11/2011 Doherty ..... A63B 69/0002  
473/457  
D763,984 S \* 8/2016 Cruz ..... D21/753  
D806,191 S \* 12/2017 Cruz ..... D21/753  
D820,900 S \* 6/2018 LeRay ..... D16/244  
10,385,894 B2 \* 8/2019 Finch ..... F16B 2/06  
D878,503 S \* 3/2020 Stelly ..... D21/725  
D898,142 S \* 10/2020 Riley ..... D21/725

\* cited by examiner

(22) Filed: **Sep. 11, 2019**  
(51) **LOC (13) Cl.** ..... **21-02**  
(52) **U.S. Cl.**  
USPC ..... **D21/753**; D21/725; D21/780  
(58) **Field of Classification Search**  
USPC ..... D21/722, 725, 753, 780, 791  
CPC ..... A63B 59/00; A63B 59/50–59/58; A63B  
59/80; A63B 60/00; A63B 60/46; A63B  
2102/00; A63B 2102/10; A63B 2102/12;  
A63B 2102/26; A63B 2102/28; A63B  
2102/30; A63B 2102/38  
See application file for complete search history.

*Primary Examiner* — Mitchell I. Siegel

(57) **CLAIM**

The ornamental design for a batting tee attachment, as shown and described.

**DESCRIPTION**

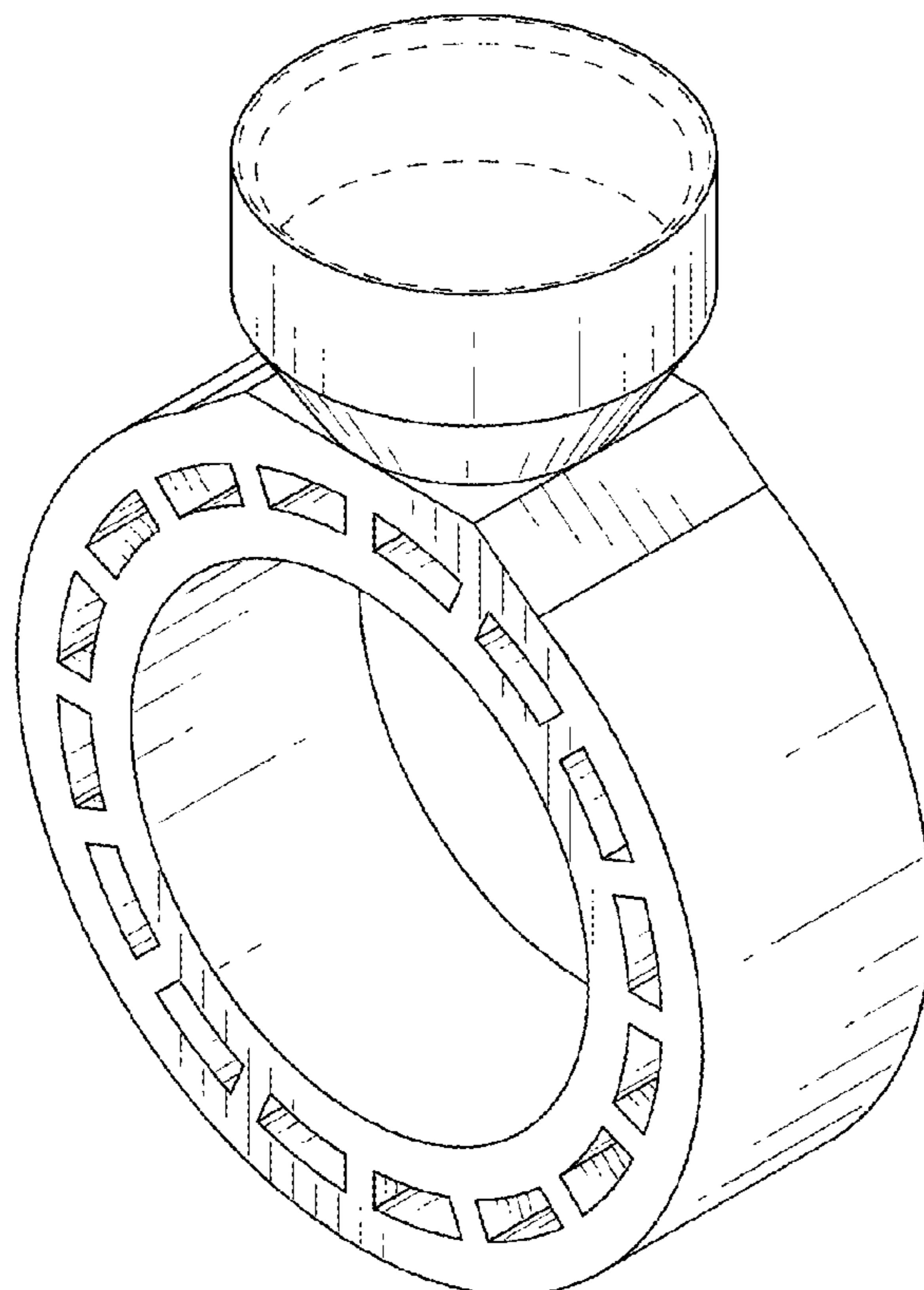
FIG. 1 is a top-front-left perspective view of a batting tee attachment showing my new design;  
FIG. 2 is a bottom-rear-right perspective view thereof;  
FIG. 3 is a front elevational view thereof;  
FIG. 4 is a rear elevational view thereof;  
FIG. 5 is a left side elevational view thereof;  
FIG. 6 is a right side elevational view thereof;  
FIG. 7 is a top plan view thereof;  
FIG. 8 is a bottom plan view thereof; and,  
FIG. 9 is a cross sectional view thereof, taken along line 9-9 in FIG. 6.  
The broken lines depicting the cavity on FIGS. 1, 7 and 9 forms no part of the claimed design.

(56) **References Cited**

**U.S. PATENT DOCUMENTS**

3,169,019 A \* 2/1965 Genjack ..... A63B 59/20  
473/457  
D328,935 S \* 8/1992 Dixon, Jr. .... D21/722  
5,265,871 A \* 11/1993 Hanley ..... B25D 1/02  
463/47.2  
D364,653 S \* 11/1995 Boden ..... D10/116.1  
D507,027 S \* 7/2005 Hale, Jr. .... D21/722

**1 Claim, 9 Drawing Sheets**



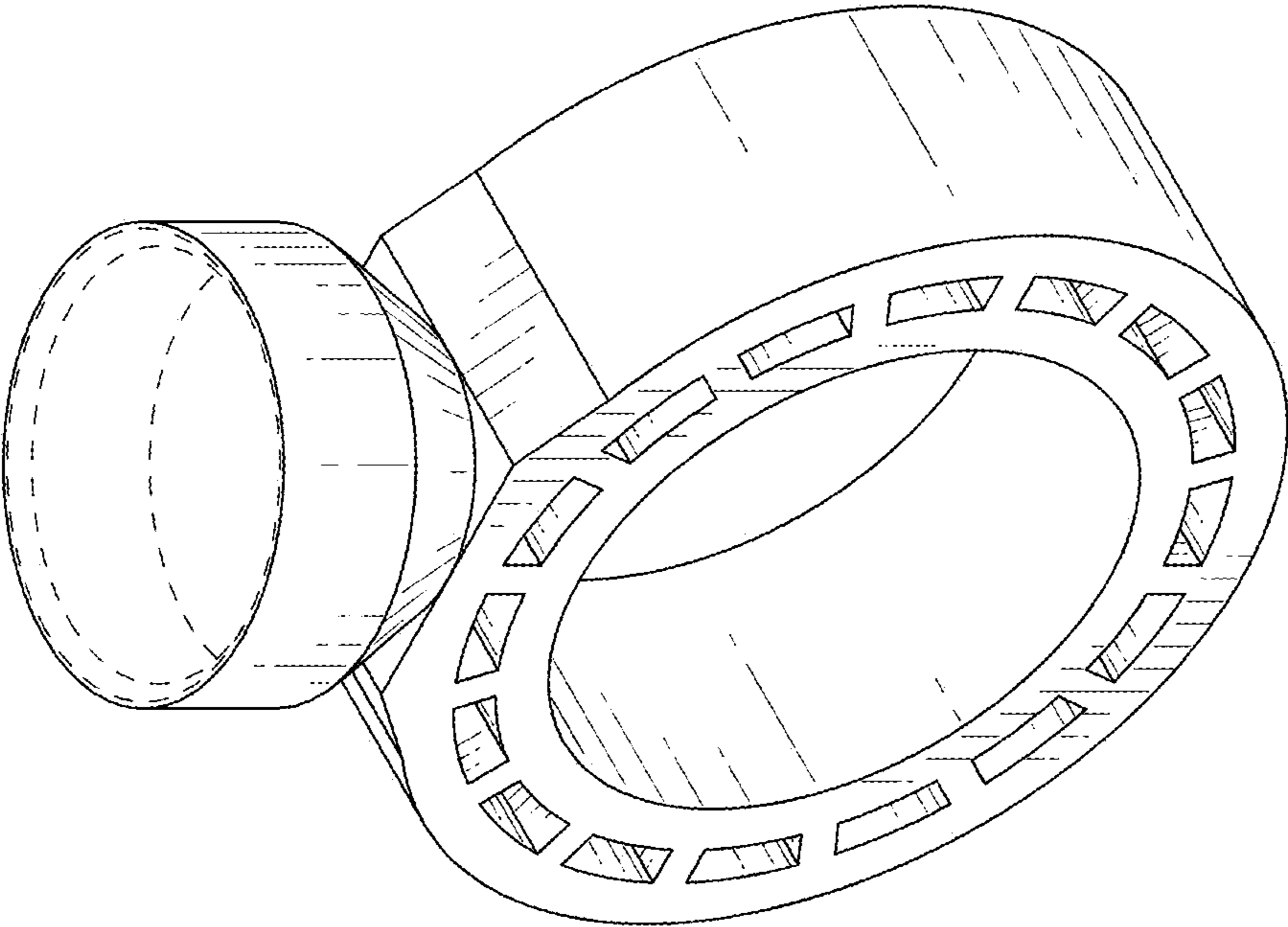


FIG. 1

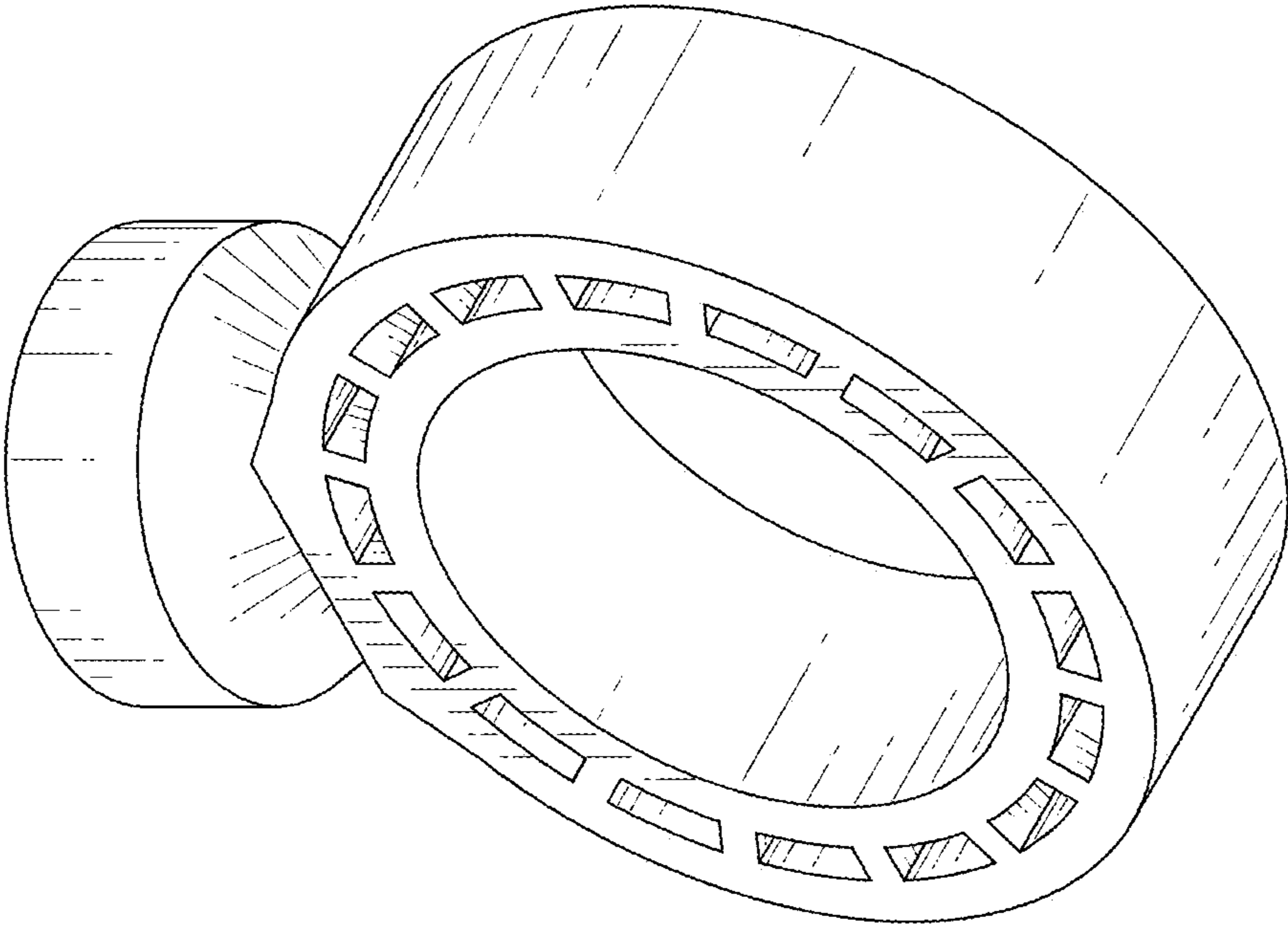


FIG. 2

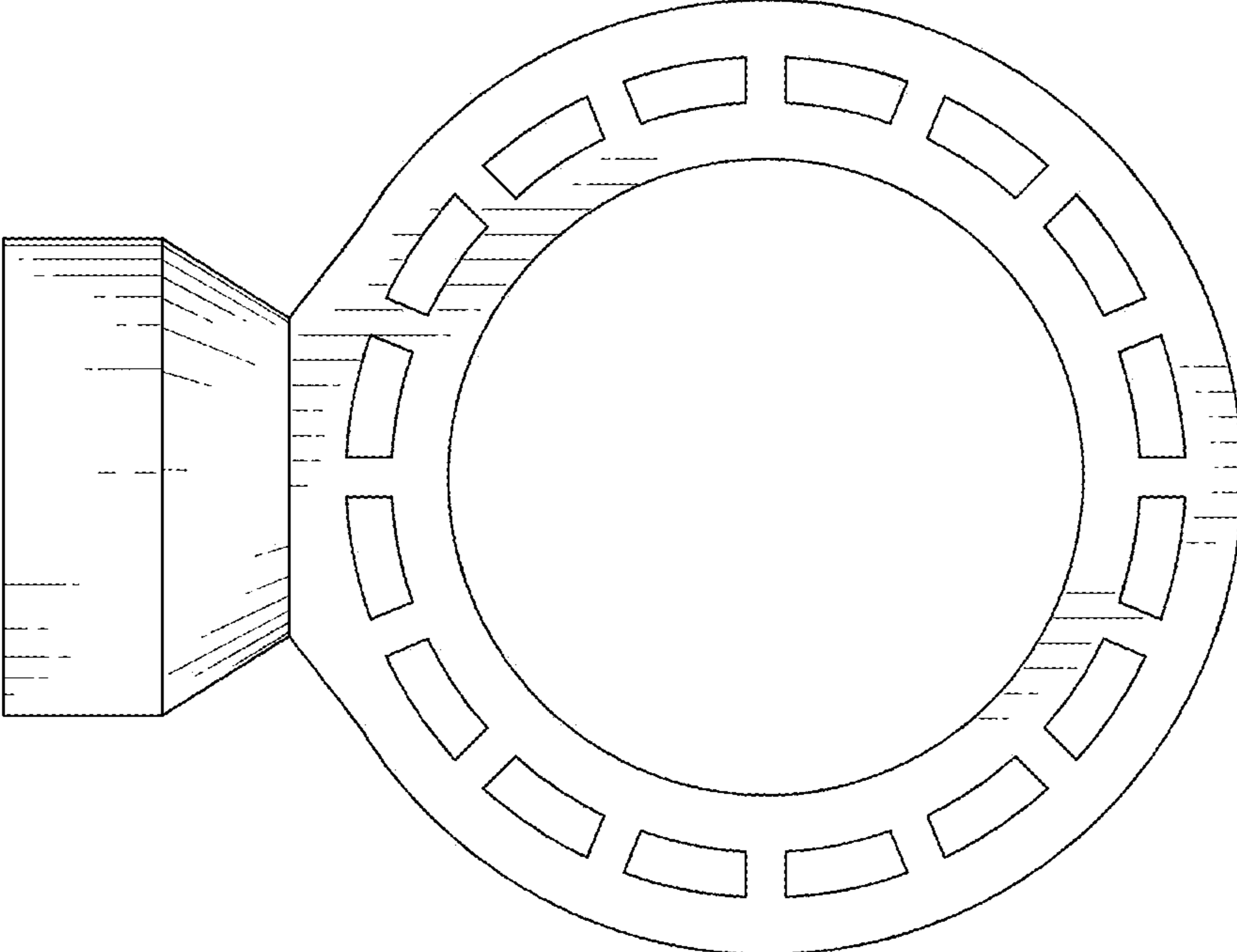


FIG. 3

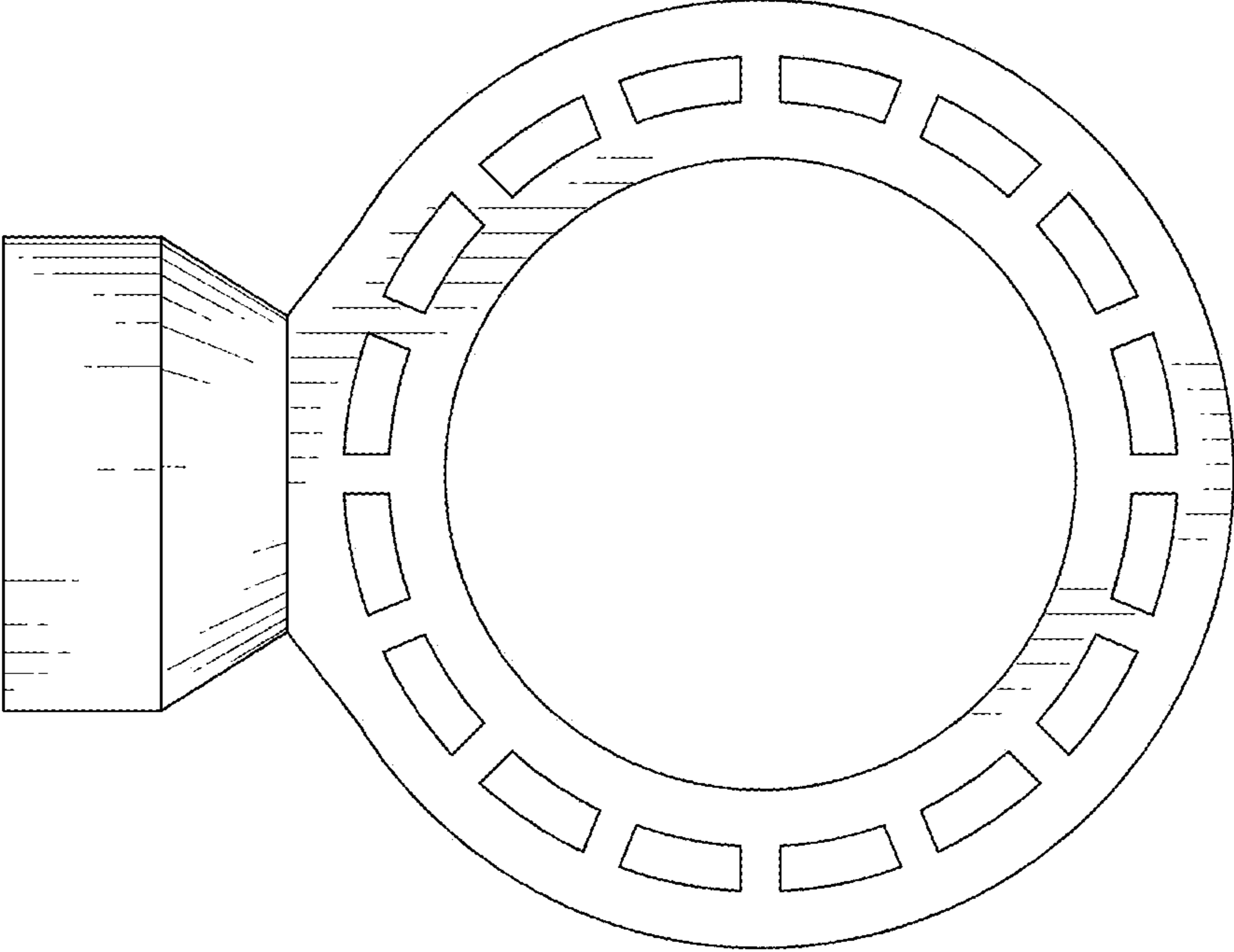


FIG. 4

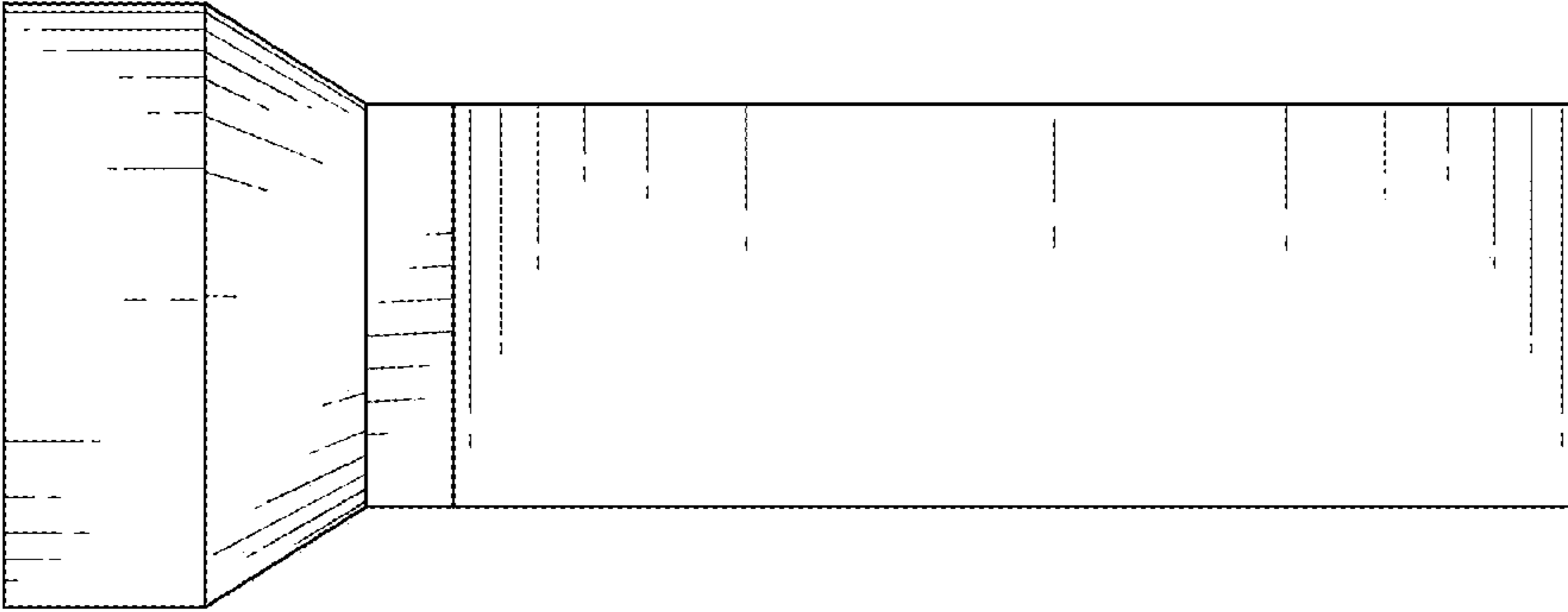


FIG. 5

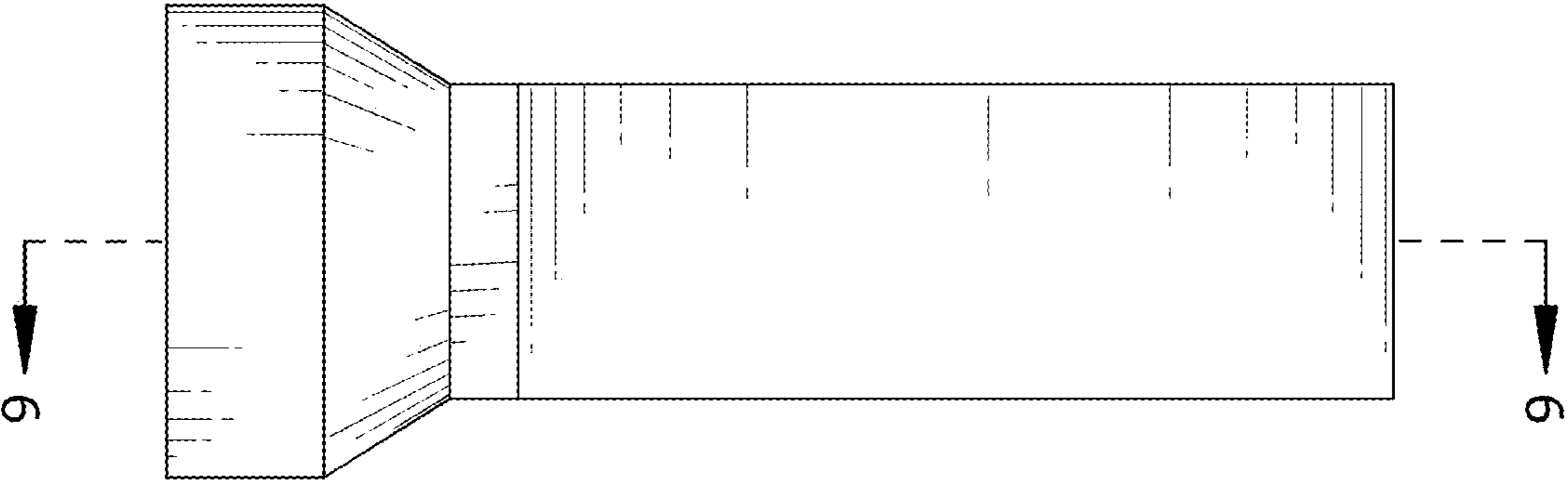


FIG. 6

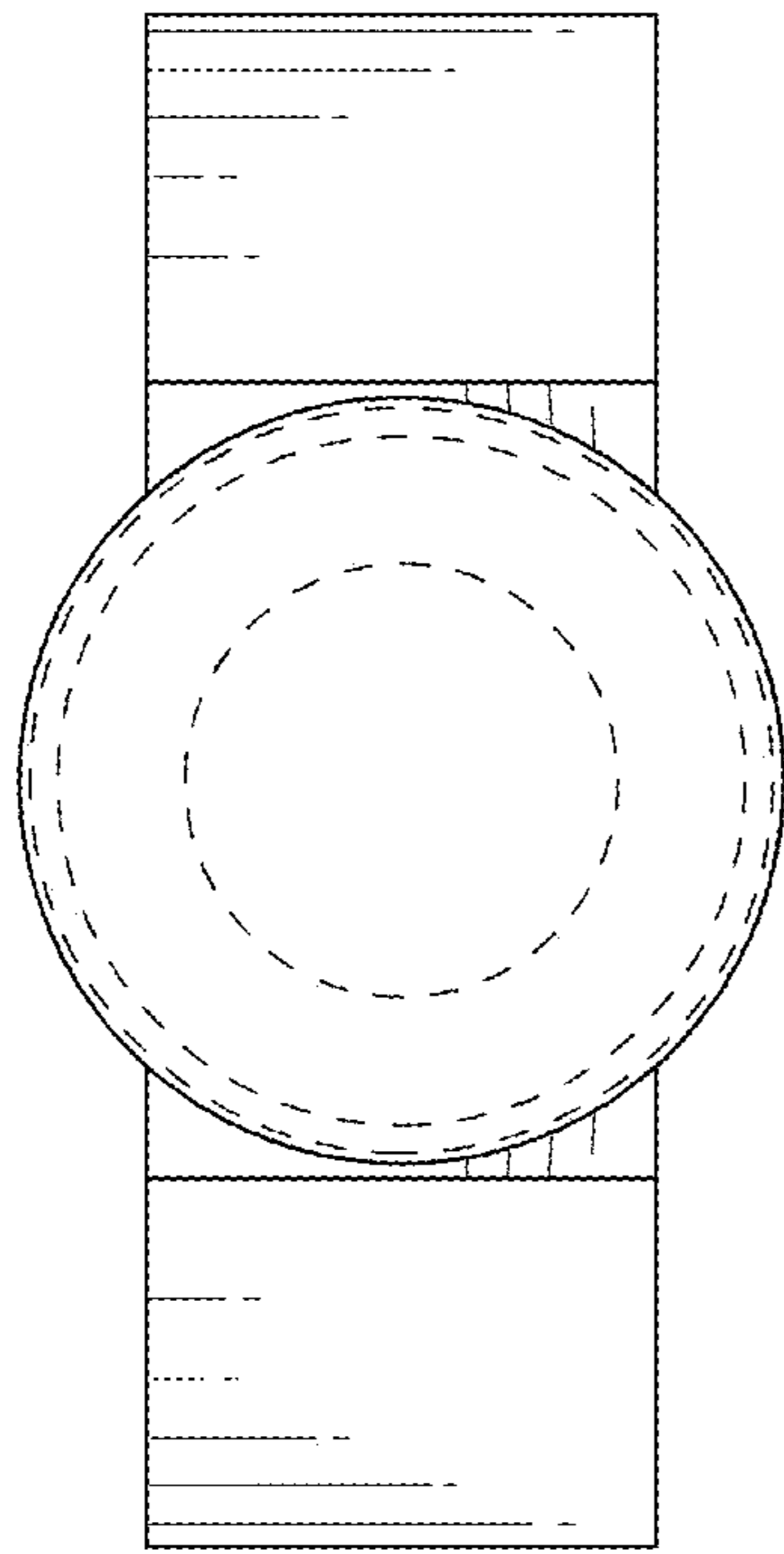


FIG. 7



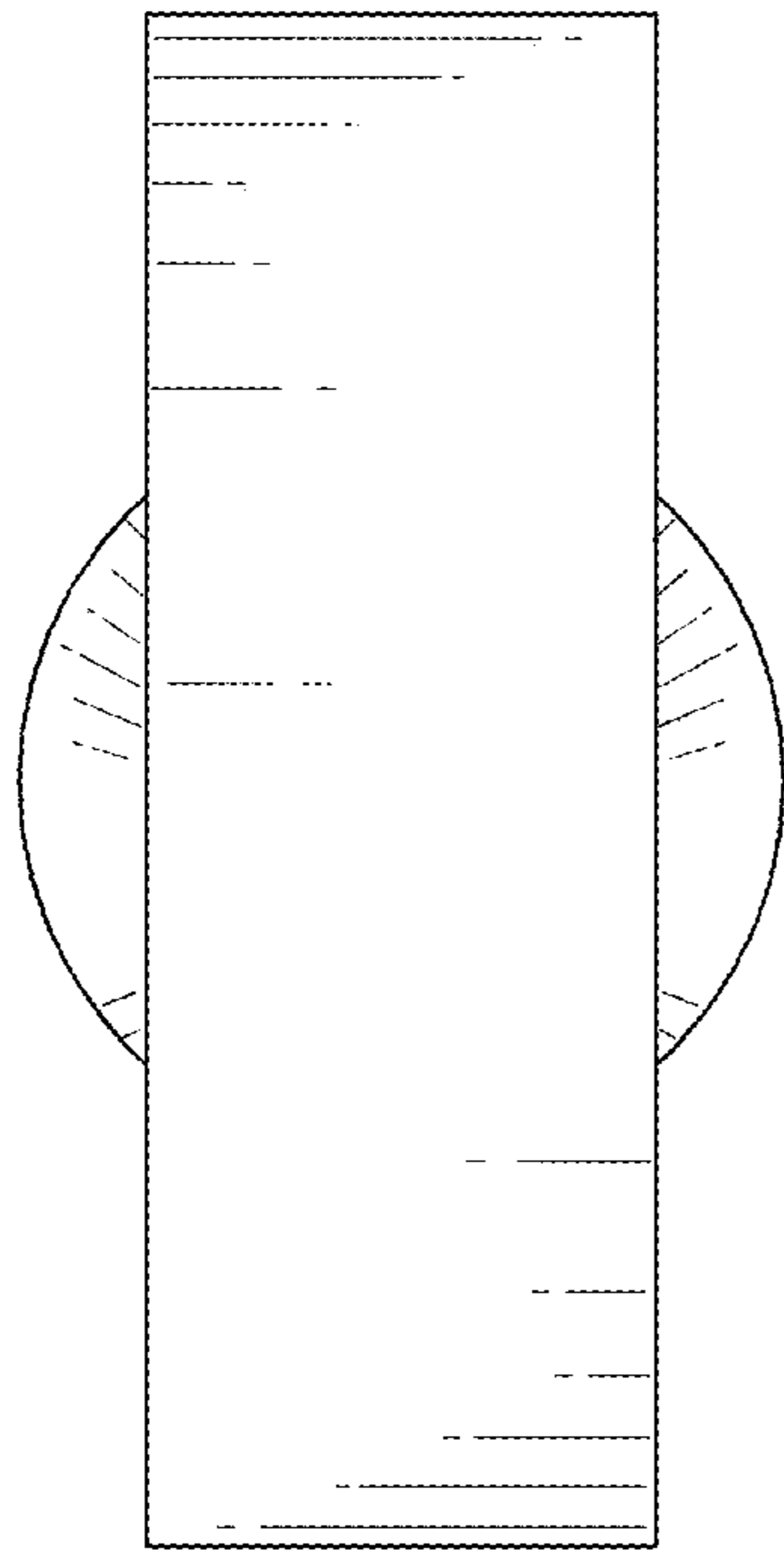


FIG. 8

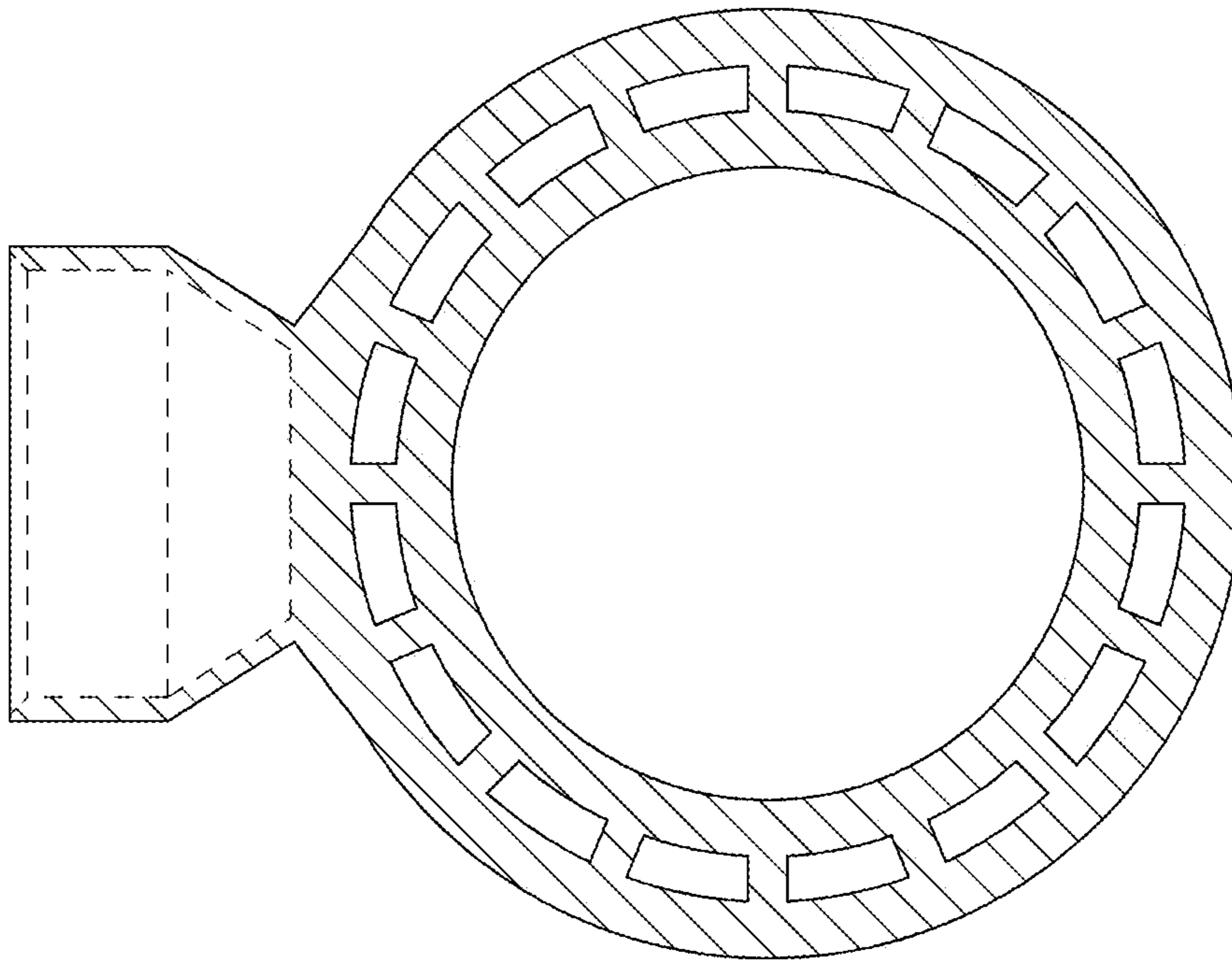


FIG. 9