



US00D914118S

(12) **United States Design Patent** (10) **Patent No.:** **US D914,118 S**  
**Dombroski** (45) **Date of Patent:** **\*\* Mar. 23, 2021**

(54) **GOLF CLUB HEAD**

(71) Applicant: **Walter William Dombroski**, Salem, OH (US)

(72) Inventor: **Walter William Dombroski**, Salem, OH (US)

(\*\*) Term: **15 Years**

(21) Appl. No.: **29/651,863**

(22) Filed: **May 14, 2019**

(51) **LOC (13) Cl.** ..... **21-02**

(52) **U.S. Cl.**  
USPC ..... **D21/733**

(58) **Field of Classification Search**  
USPC ..... D21/733, 752  
CPC ..... A63B 53/00; A63B 53/04; A63B 53/0466;  
A63B 2053/002; A63B 2053/0445; A63B  
2053/043; A63B 2053/0491; A63B  
2053/0437; A63B 60/00; A63B 60/46  
See application file for complete search history.

(56) **References Cited**

U.S. PATENT DOCUMENTS

656,099	A *	8/1900	Dunn	.....	A63B 53/0487
					473/330
1,096,359	A *	5/1914	Dwight	.....	A63B 53/0466
					473/337
1,336,671	A *	4/1920	Backus	.....	A63B 53/04
					473/327
3,266,805	A *	8/1966	Bulla	.....	A63B 53/0466
					473/329
D213,382	S *	2/1969	Risher	.....	D21/733
3,595,577	A *	7/1971	Hodge	.....	A63B 60/00
					473/314
3,860,244	A *	1/1975	Cosby	.....	A63B 53/04
					473/314
D268,357	S *	3/1983	Mader	.....	D21/733
D316,128	S *	4/1991	Kinney, III	.....	D21/752

D340,492	S *	10/1993	Flood	.....	D21/733
D350,175	S *	8/1994	Motoki	.....	D21/733
D369,392	S *	4/1996	Adams	.....	D21/733
D371,408	S *	7/1996	Ashcraft	.....	D21/733
D377,066	S *	12/1996	Goosman	.....	D21/733
D379,391	S *	5/1997	Moore	.....	D21/752
D398,682	S *	9/1998	Moore	.....	D21/733
D402,341	S *	12/1998	Hamm	.....	D21/733
D404,778	S *	1/1999	Strand	.....	D21/733
D440,615	S *	4/2001	Swist	.....	D21/733
D444,522	S *	7/2001	Crousore	.....	D21/733
D448,823	S *	10/2001	Heifetz	.....	D21/733
D489,105	S *	4/2004	Kim	.....	D21/733
D599,421	S *	9/2009	Belmont	.....	D21/733
D601,650	S *	10/2009	Belmont	.....	D21/733

\* cited by examiner

*Primary Examiner* — Mitchell I. Siegel

(74) *Attorney, Agent, or Firm* — Frederic E. Naragon

(57) **CLAIM**

The ornamental design for a golf club head, as shown.

**DESCRIPTION**

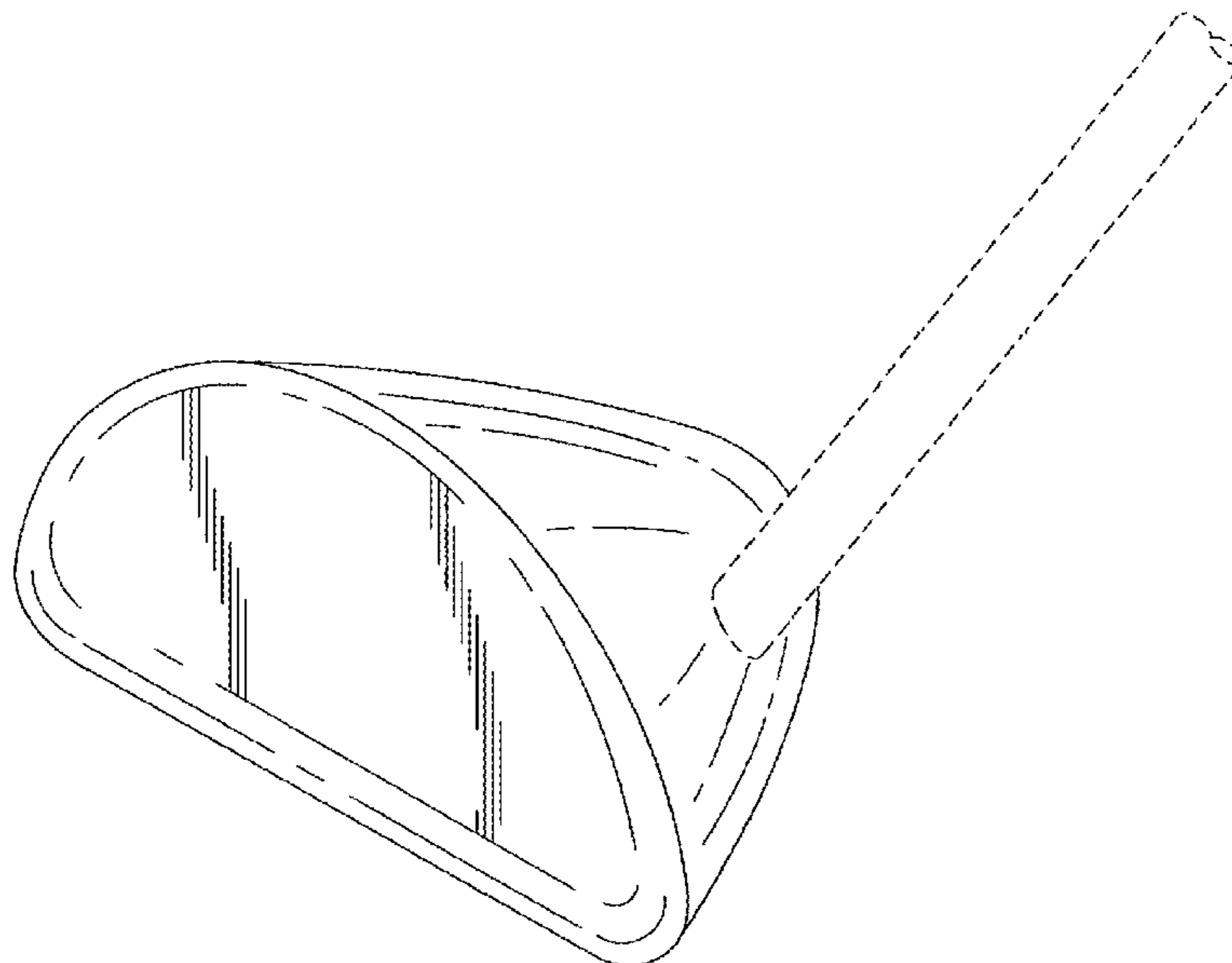
FIG. 1 is a perspective view of a golf club head showing applicant's new design. A broken line showing of the fragment shaft of the golf club head forms no part of the claimed design.

FIG. 2 is a front elevation view of a golf club head showing applicant's new design. A broken line showing of the fragment shaft of the golf club head forms no part of the claimed design.

FIG. 3 is a side elevation view of a golf club head showing applicant's new design. A broken line showing of the fragment shaft of the golf club head forms no part of the claimed design; and,

FIG. 4 is a top elevation view of a golf club head showing applicant's new design. A broken line showing of the fragment shaft of the golf club head forms no part of the claimed design.

**1 Claim, 4 Drawing Sheets**



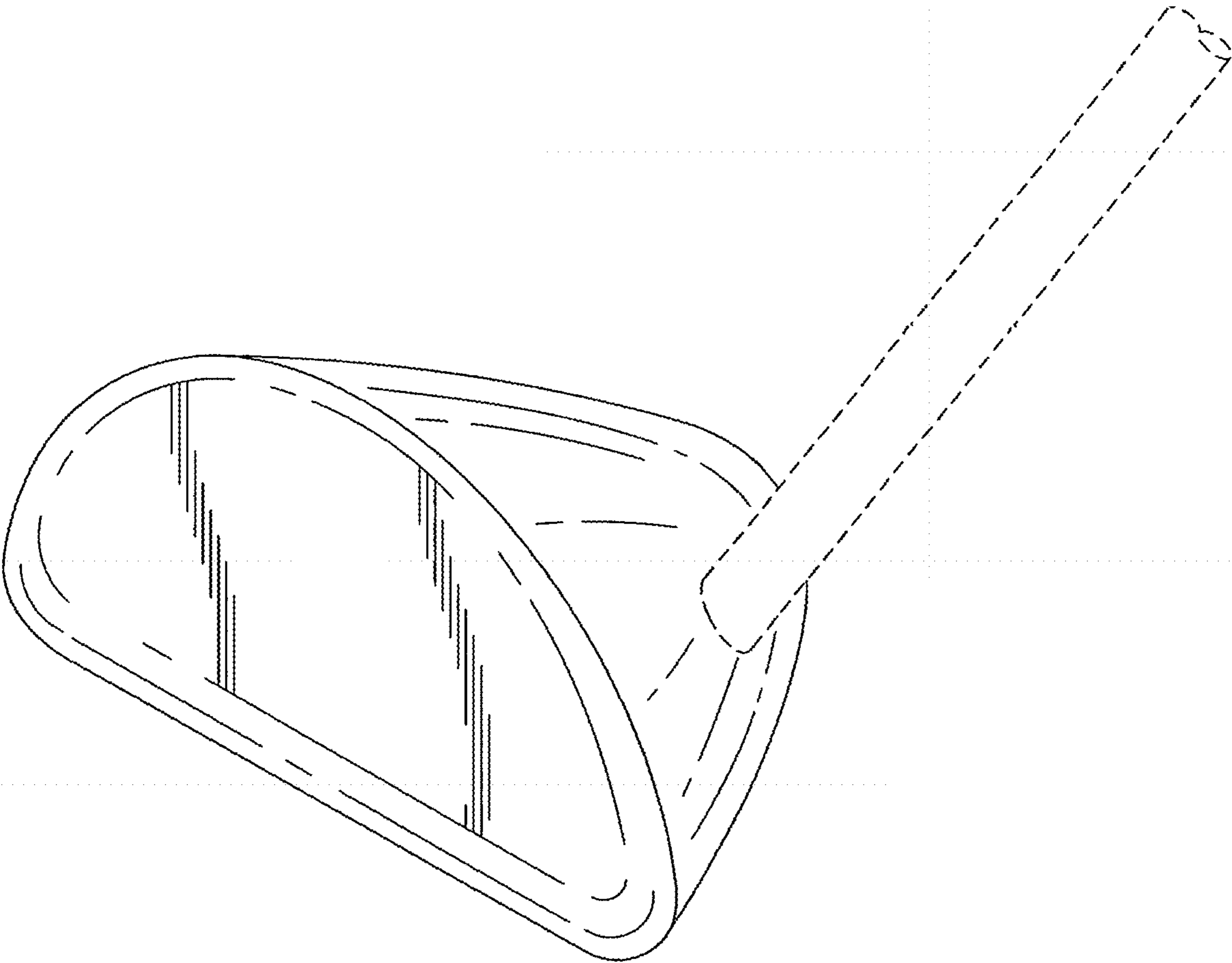


FIG. 1

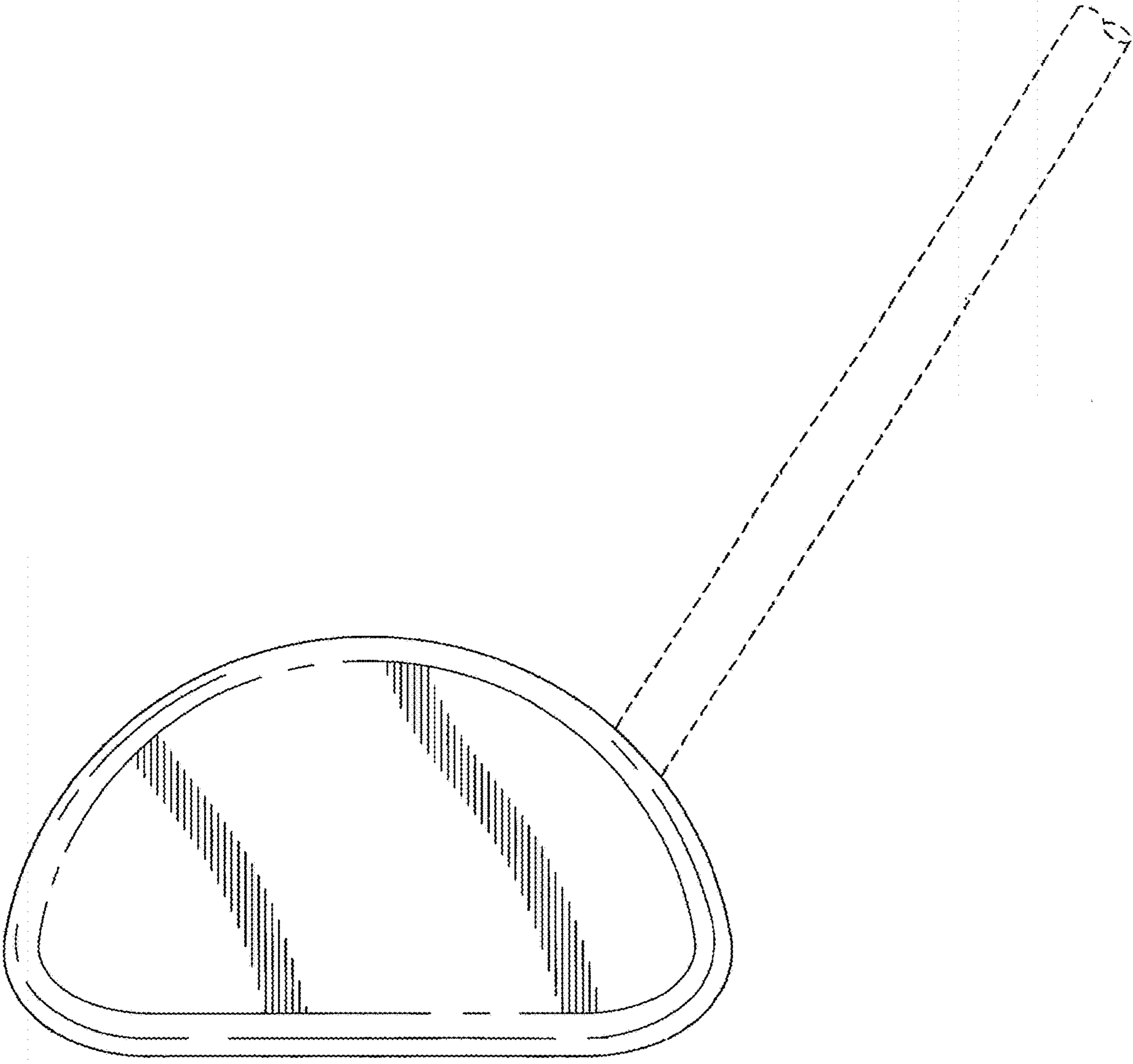


FIG. 2

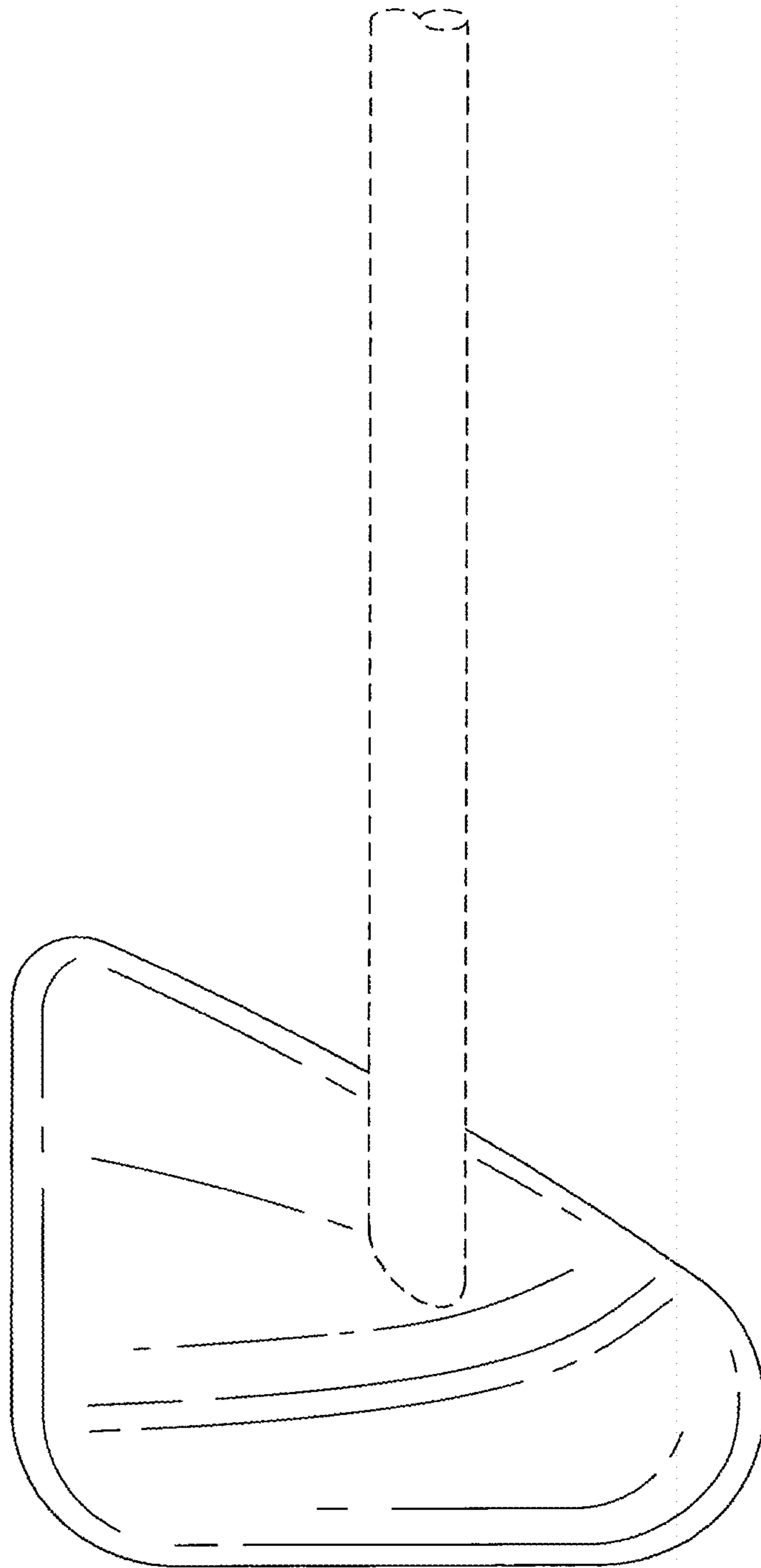


FIG. 3

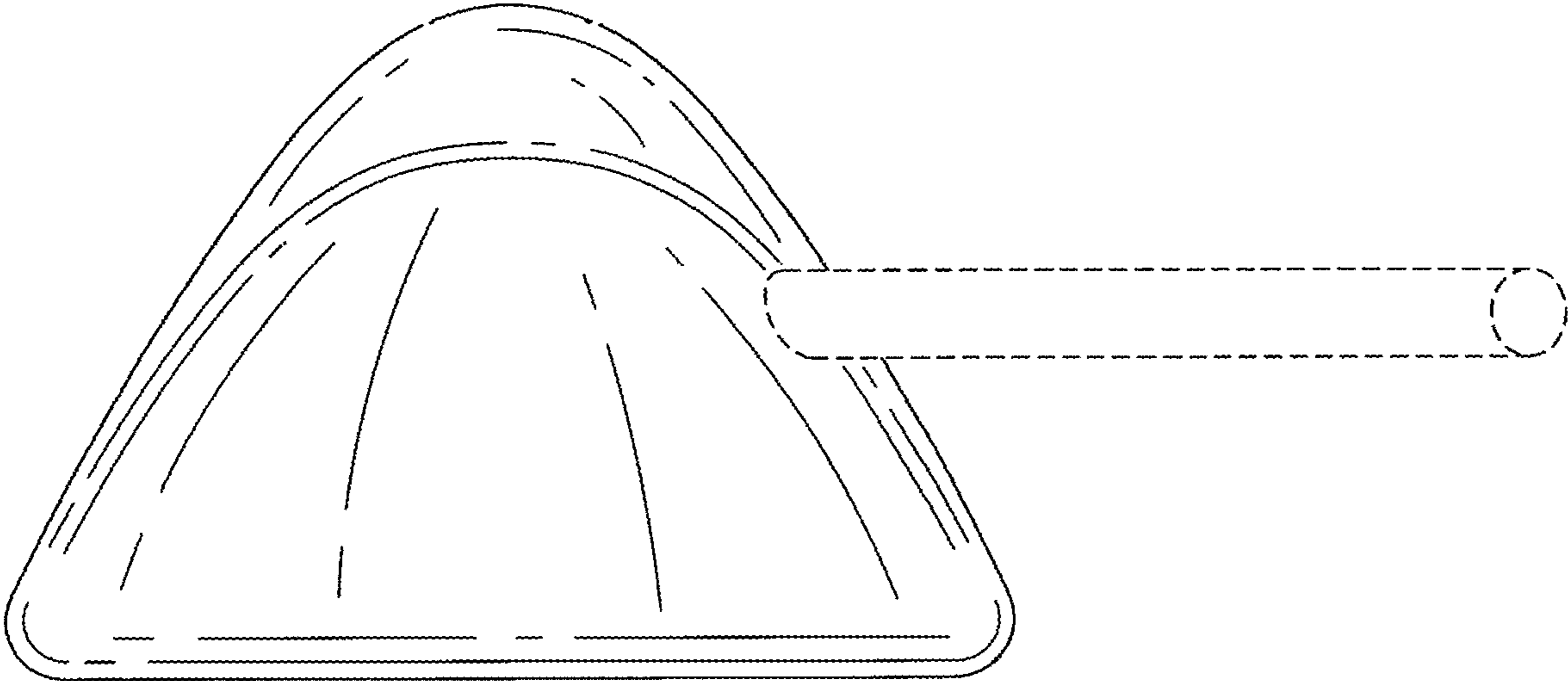


FIG. 4