



US00D914117S

(12) **United States Design Patent**
Soderquist

(10) **Patent No.:** **US D914,117 S**

(45) **Date of Patent:** **** *Mar. 23, 2021**

- (54) **TRAINING BAT**
- (71) Applicant: **SWEETSPOT BASEBALL, LLC**,
Minnetonka, MN (US)
- (72) Inventor: **David G. Soderquist**, Long Key, FL
(US)
- (73) Assignee: **SweetSpot Baseball, LLC**,
Minnetonka, MN (US)
- (*) Notice: This patent is subject to a terminal disclaimer.
- (**) Term: **15 Years**
- (21) Appl. No.: **29/688,142**
- (22) Filed: **Apr. 18, 2019**
- (51) **LOC (13) Cl.** **21-02**
- (52) **U.S. Cl.**
USPC **D21/725**
- (58) **Field of Classification Search**
USPC D21/725, 780, 756-758
CPC A63B 59/00; A63B 59/50-59/58; A63B
59/80; A63B 60/00; A63B 60/46; A63B
2102/00; A63B 2102/10; A63B 2102/12;
A63B 2102/26; A63B 2102/28; A63B
2102/30; A63B 2102/38
See application file for complete search history.

- 6,783,471 B2 * 8/2004 Bolduc A63B 69/0002
473/457
- 6,872,157 B2 * 3/2005 Falone A63B 60/10
473/568
- 6,881,164 B2 * 4/2005 Gilligan B25G 1/10
473/568
- D561,281 S * 2/2008 Sims D21/725
- D590,900 S * 4/2009 Sass D21/725
- D596,250 S * 7/2009 Sass D21/725

(Continued)

Primary Examiner — Mitchell I. Siegel

(74) *Attorney, Agent, or Firm* — Richard John Bartz

(57) **CLAIM**

The ornamental design of a training bat, as shown and described.

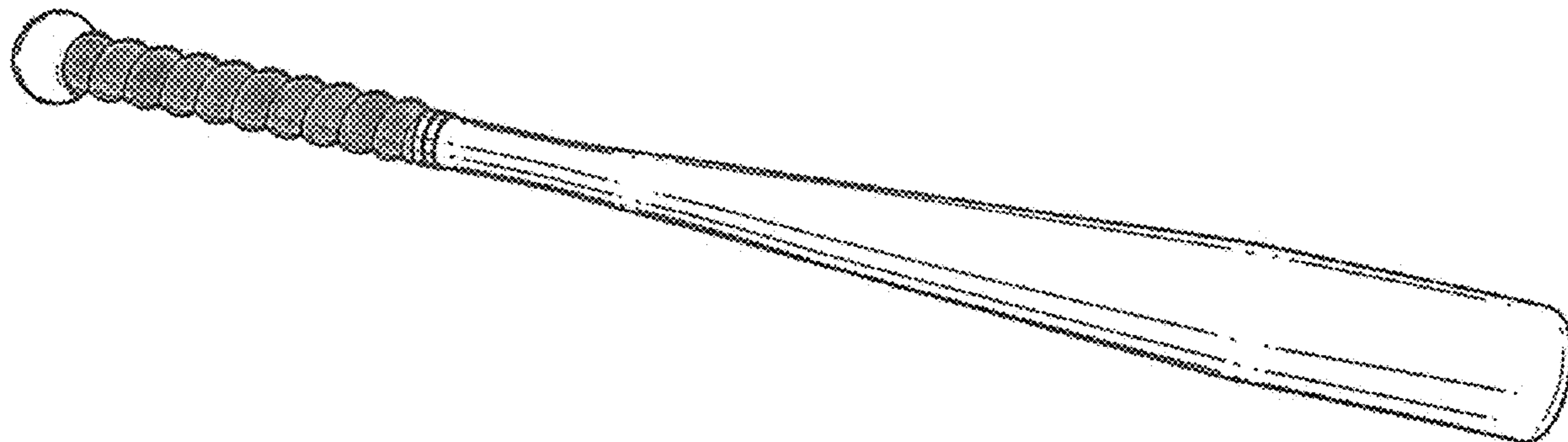
DESCRIPTION

The patent or application file contains at least one drawing executed in color. Copies of this patent or patent application publication with color drawings will be provided by the Office upon request and payment of the necessary fee.

FIG. 1 is a perspective view of the training bat of my design; FIG. 2 is a front elevational view of the training bat of FIG. 1; FIG. 3 is a rear elevational view of the training bat of FIG. 1; FIG. 4 is a top plan view of the training bat of FIG. 1; FIG. 5 is a bottom plan view of the training bat of FIG. 1; FIG. 6 is a left end elevational view of the training bat of FIG. 1; FIG. 7 is a right end elevational view of the training bat of FIG. 1; and, FIG. 8 is an enlarged view of the handle portions of the training bat taken from the breakout circle 8 of FIG. 2.

The bat grip of the training bat shown in FIGS. 1 to 8 is shaded for the color red.

1 Claim, 5 Drawing Sheets
(4 of 5 Drawing Sheet(s) Filed in Color)



(56)

References Cited

U.S. PATENT DOCUMENTS

D601,648	S	*	10/2009	Comello, Jr.	D21/725
D606,137	S	*	12/2009	Comello, Jr.	D21/725
D624,977	S	*	10/2010	Comello, Jr.	D21/725
D625,763	S	*	10/2010	Comello, Jr.	D21/725
D626,190	S	*	10/2010	Comello, Jr.	D21/725
D719,034	S	*	12/2014	Sauczuk	D21/725
D735,286	S	*	7/2015	Luden	D21/725
D851,717	S	*	6/2019	Zawitz	D21/725

* cited by examiner

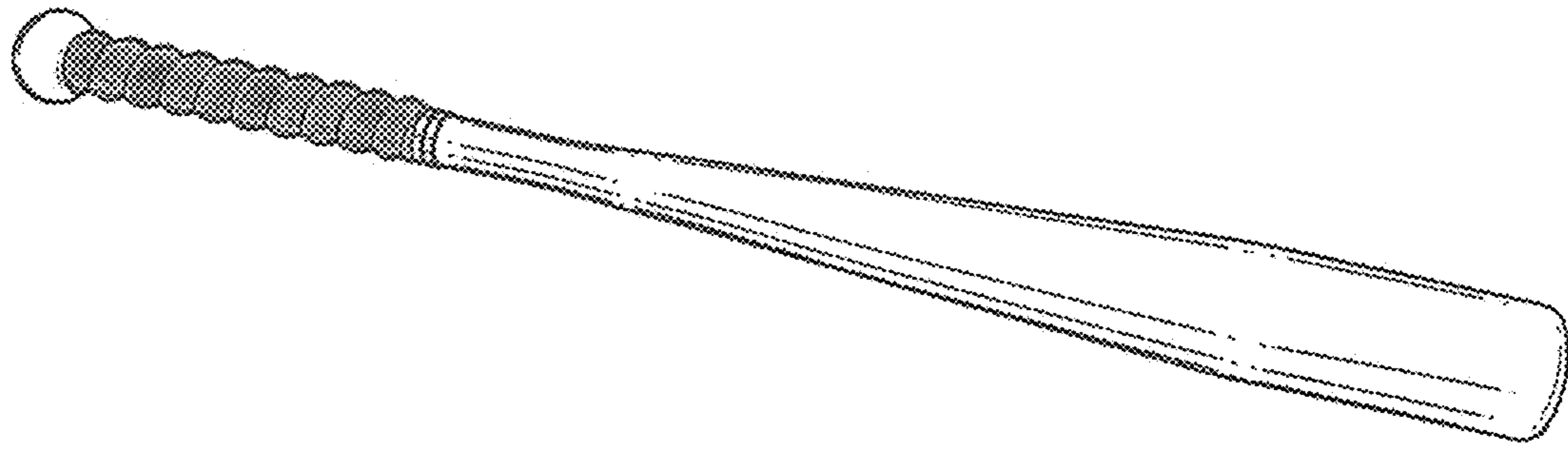


FIG. 1

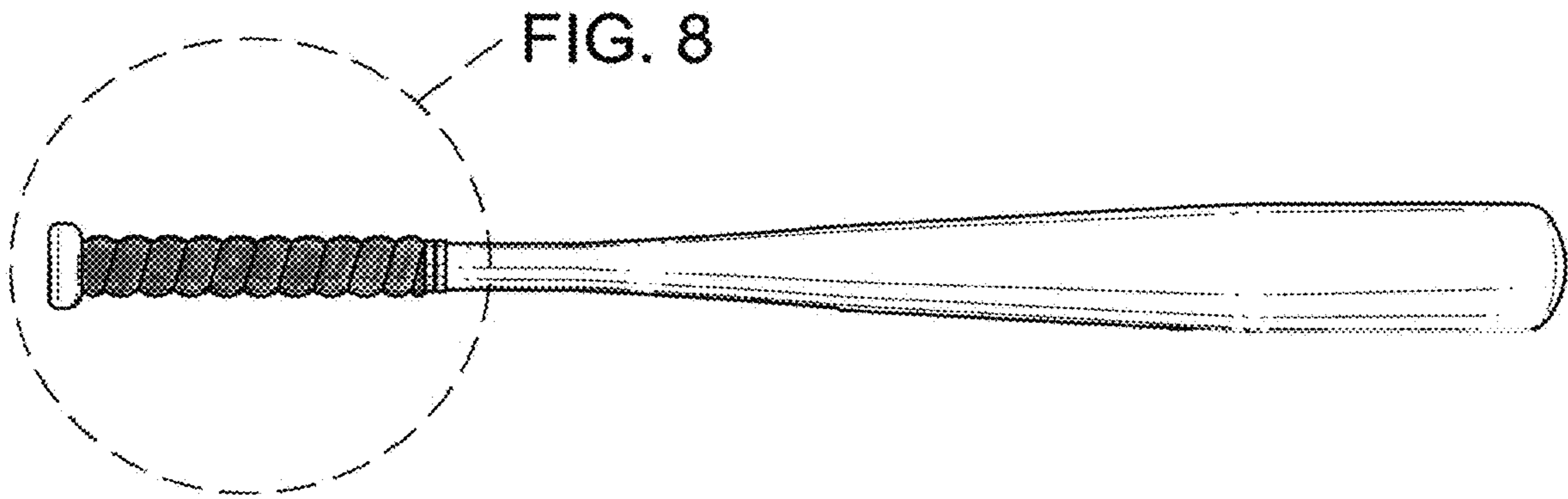


FIG. 2

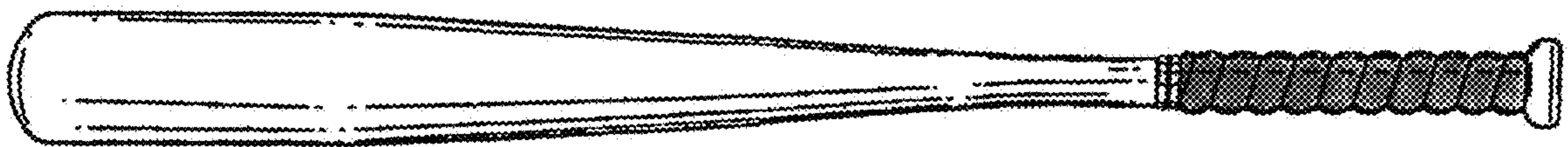


FIG. 3

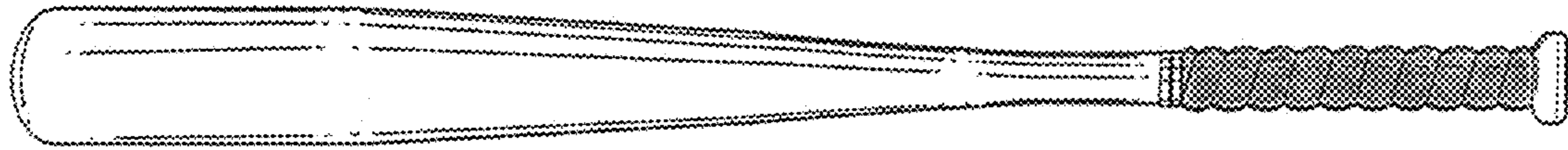


FIG. 4

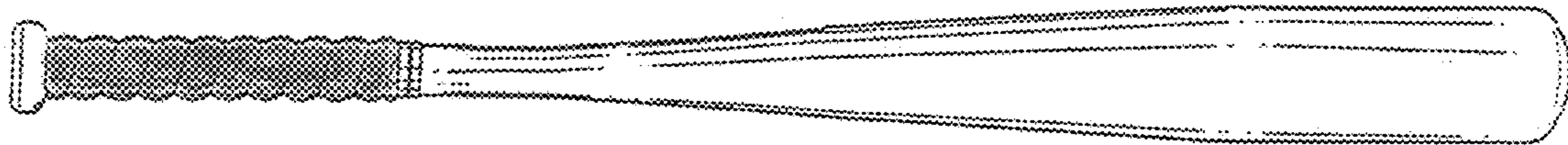


FIG. 5

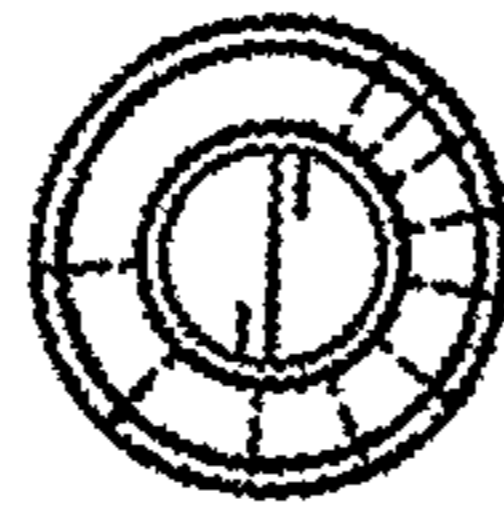


FIG. 6

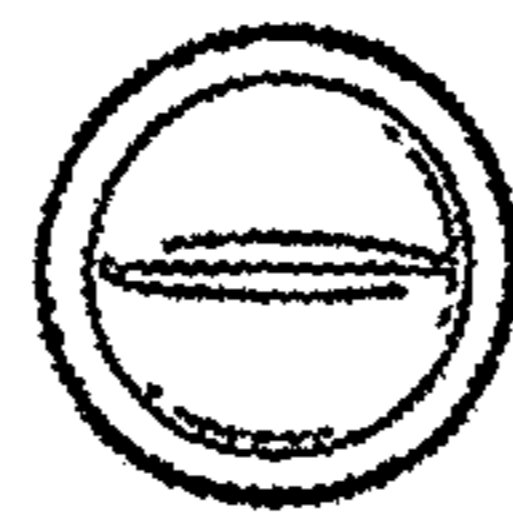


FIG. 7

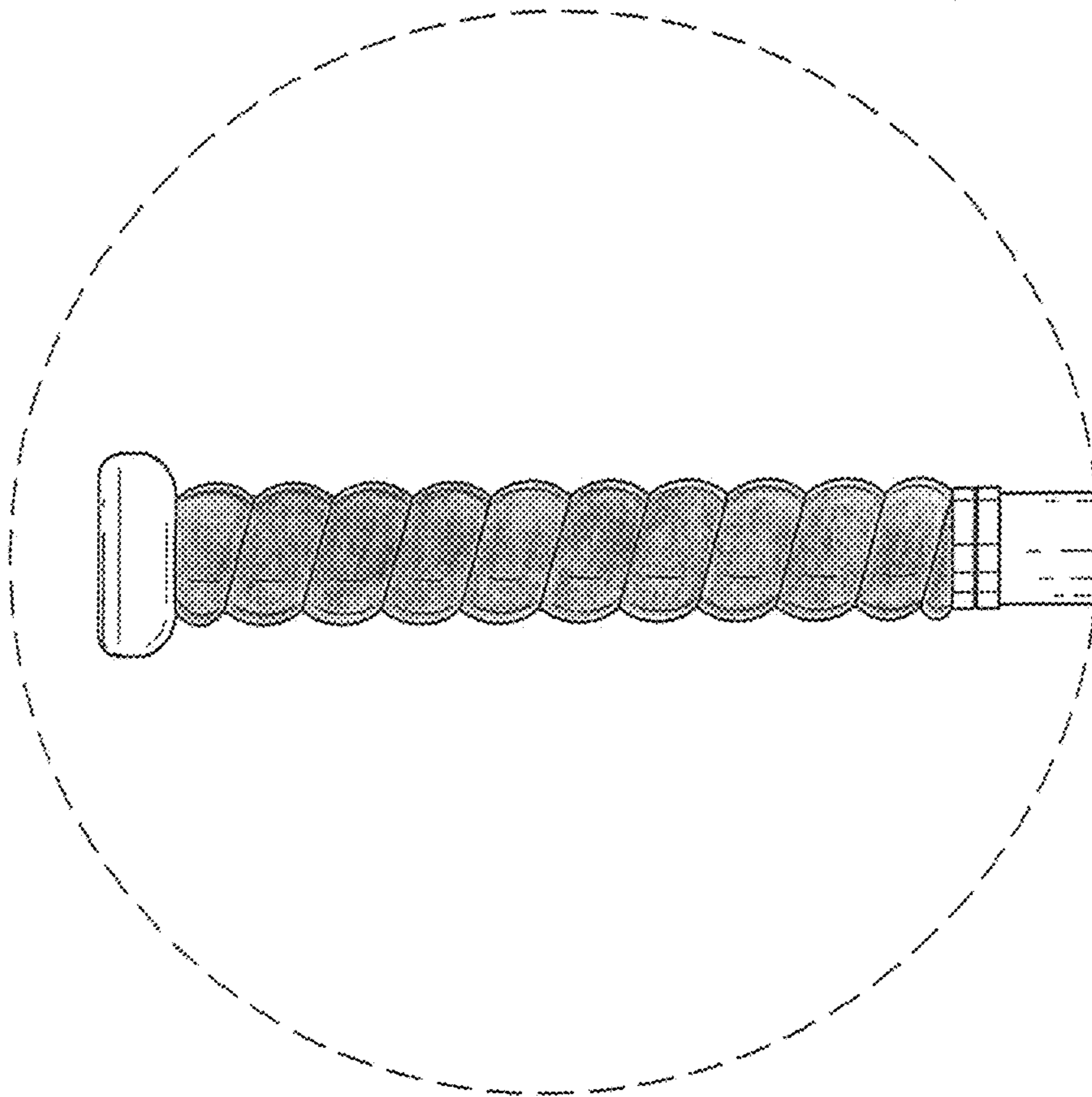


FIG. 8