



US00D914115S

(12) **United States Design Patent**
Tang

(10) **Patent No.:** **US D914,115 S**

(45) **Date of Patent:** **** Mar. 23, 2021**

- (54) **LONG RESISTANCE BAND**
- (71) Applicant: **Yiwu Zhouyou Trade Co. Ltd.,**
Zhejiang (CN)
- (72) Inventor: **Yinghong Tang,** Zhoushan (CN)
- (73) Assignee: **YIWU ZHOYOU TRADE CO.**
LTD., Zhejiang (CN)
- (**) Term: **15 Years**
- (21) Appl. No.: **29/735,476**
- (22) Filed: **May 21, 2020**
- (51) **LOC (13) Cl.** **21-02**
- (52) **U.S. Cl.**
USPC **D21/692**
- (58) **Field of Classification Search**
USPC D21/797, 698, 662, 683; 482/23, 48,
482/139, 44, 105; 2/161.1, 162, 170,
2/917, 16, 20; D8/330, 303; D20/22;
D29/113, 120.1, 791, 797, 190, 117.1;
473/205; D24/190
CPC A63B 21/4035; A63B 2225/09; A63B
21/0442; A63B 21/0557; A63B 21/00069;
A63B 21/0552; A63B 21/068; A63B
21/16; A63B 21/1663; A63B 21/4043;
A63B 21/00185; A63B 2023/006; A63B
21/0555; A63B 21/1645
See application file for complete search history.

- (56) **References Cited**
U.S. PATENT DOCUMENTS
D264,391 S * 5/1982 Schweitzer D2/866
D316,774 S * 5/1991 Falk D2/875
5,289,619 A * 3/1994 Pileggi A44B 18/00
24/17 AP
D374,114 S * 10/1996 Arroyo D16/311
5,614,300 A * 3/1997 Cicali A63B 21/0004
428/193
D399,036 S * 10/1998 Washington D2/625

- 5,860,896 A * 1/1999 Mann A61F 5/026
482/121
 - 5,945,060 A * 8/1999 Williams A63B 21/0004
264/150
 - D428,823 S * 8/2000 Davi D11/78.1
 - D433,133 S * 10/2000 Dyer D24/128
 - D441,652 S * 5/2001 Valentine, Jr. D9/434
 - D471,006 S * 3/2003 French D3/221
 - 6,701,532 B1 * 3/2004 Glassberg A41D 20/00
2/170
 - 6,840,894 B2 * 1/2005 Lerner A63B 21/0552
482/121
 - D505,785 S * 6/2005 Woody D3/215
- (Continued)

OTHER PUBLICATIONS

Fitness Custom by Yiwu dated no date given. Found online [Aug. 20, 2020] https://www.alibaba.com/product-detail/Fitness-Custom-Logo-long-Hip-Circle_1600082942060.html?spm=a2700.icbuShop.41413.24.54eb1750cpNLqd.*

(Continued)

Primary Examiner — Ryan Harvey
(74) *Attorney, Agent, or Firm* — Frank Gao, Esq.

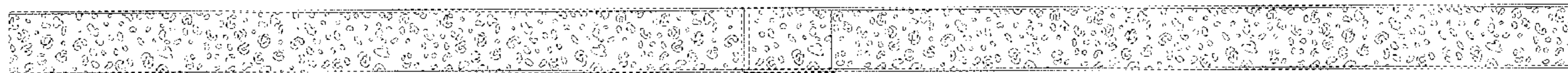
(57) **CLAIM**

The ornamental design for a long resistance band, as shown and described.

DESCRIPTION

FIG. 1 is a front elevational view of a long resistance band showing my new design;
FIG. 2 is a rear elevational view thereof;
FIG. 3 is a left sideview thereof;
FIG. 4 is a right sideview thereof;
FIG. 5 is a top plan view thereof;
FIG. 6 is a bottom plan view thereof;
FIG. 7 is a perspective view from front side thereof; and,
FIG. 8 is a perspective view of the long resistance band in an alternate configuration.

1 Claim, 8 Drawing Sheets



(56)

References Cited

U.S. PATENT DOCUMENTS

D506,709 S * 6/2005 Choi D12/133
 D519,716 S * 5/2006 Smith D2/875
 D558,427 S * 1/2008 Solin D2/624
 D596,439 S * 7/2009 Hall D6/596
 D612,150 S * 3/2010 Overton D3/226
 D616,509 S * 5/2010 Perez D21/692
 D672,036 S * 12/2012 Simon D24/128
 8,458,864 B1 * 6/2013 Patton B65D 63/10
 24/306
 8,834,331 B1 * 9/2014 Boatwright A63B 21/0442
 482/129
 D740,155 S * 10/2015 Vang D11/78.1
 D787,829 S * 5/2017 Kohn D3/327
 D797,441 S * 9/2017 Sokolowski D3/215
 D828,467 S 9/2018 Karvandi
 10,188,188 B2 * 1/2019 Passarello A45D 8/36
 D843,523 S * 3/2019 Young D21/692
 D852,908 S * 7/2019 Dennisur D21/692

D872,200 S * 1/2020 Antezana D21/692
 2004/0067827 A1 * 4/2004 Tustin A63B 21/0004
 482/121
 2005/0239604 A1 * 10/2005 Denham A63B 21/4037
 482/23
 2007/0105696 A1 * 5/2007 Castel A63B 21/00043
 482/121
 2008/0009398 A1 * 1/2008 Grisdale A63B 21/0552
 482/124
 2018/0318630 A1 * 11/2018 Young A63B 21/00058
 2018/0350275 A1 * 12/2018 Milbrandt G09F 3/04

OTHER PUBLICATIONS

Fitness by Yiwu dated no date given. Found online [Aug. 20, 2020]
https://ywsports.en.alibaba.com/product/62247141752-807616250/Fitness_Non_Slip_Extra_Long_Hip_Resistance_Booty_Band_for.*

* cited by examiner

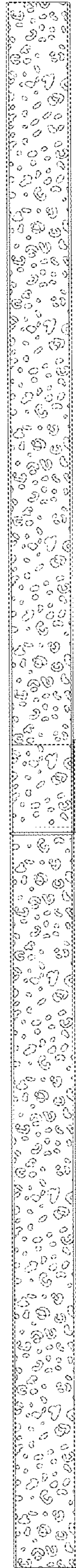


Fig. 1

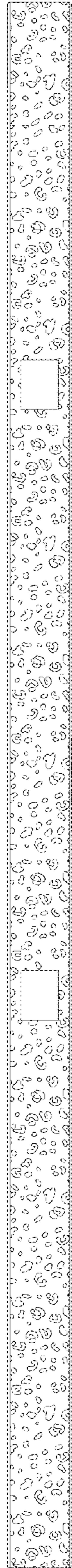


Fig. 2

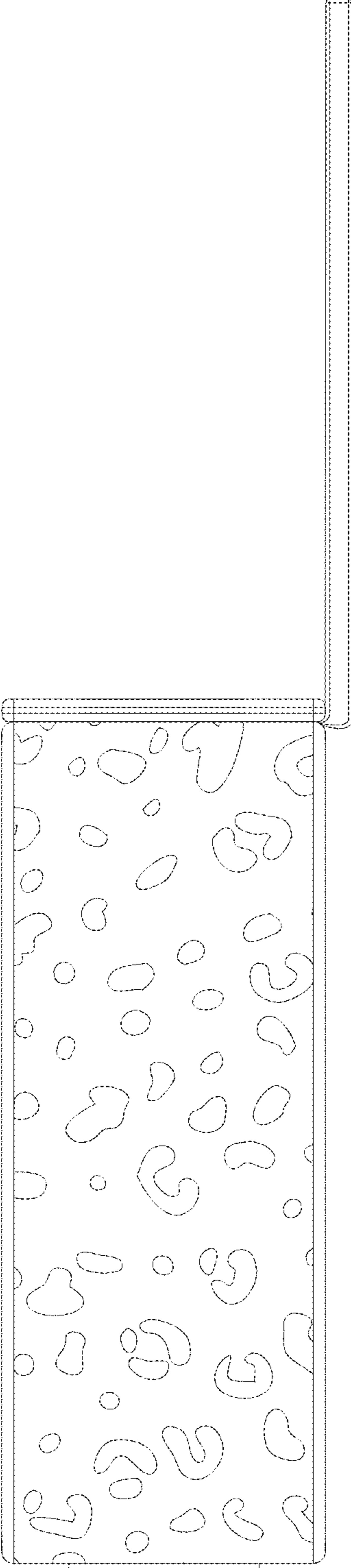


Fig. 3

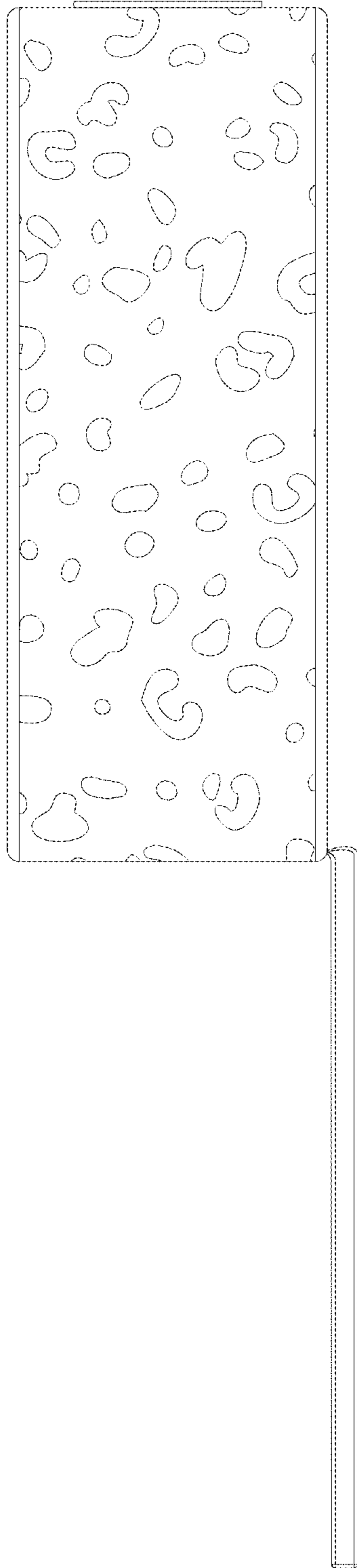


Fig. 4

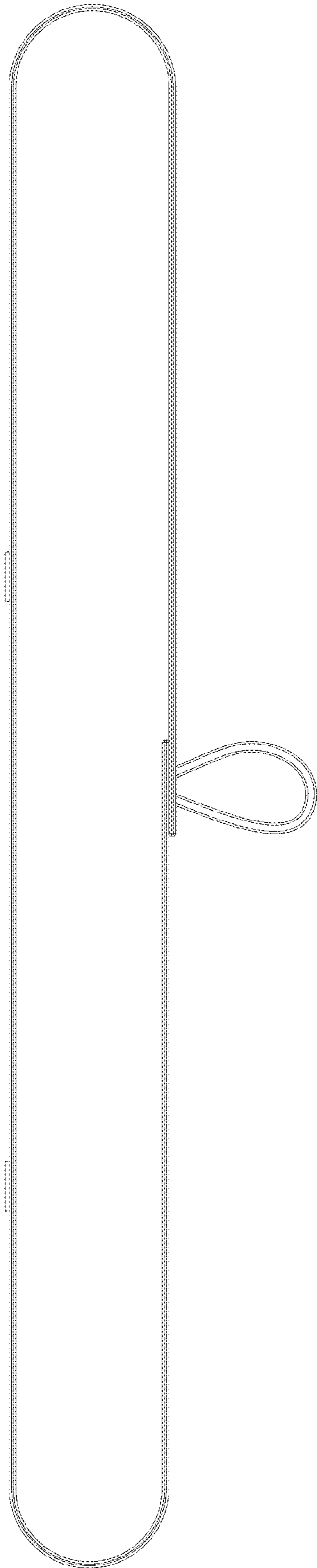


Fig. 5

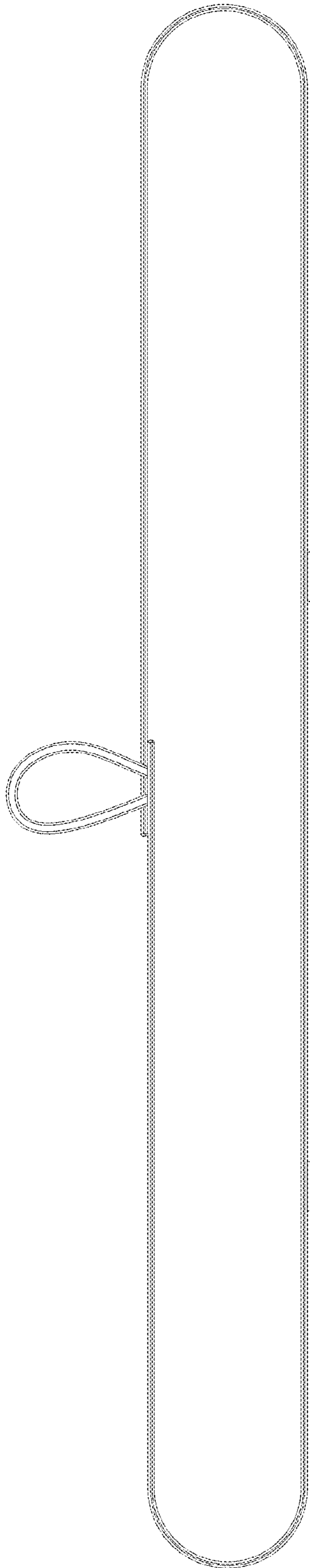


Fig. 6

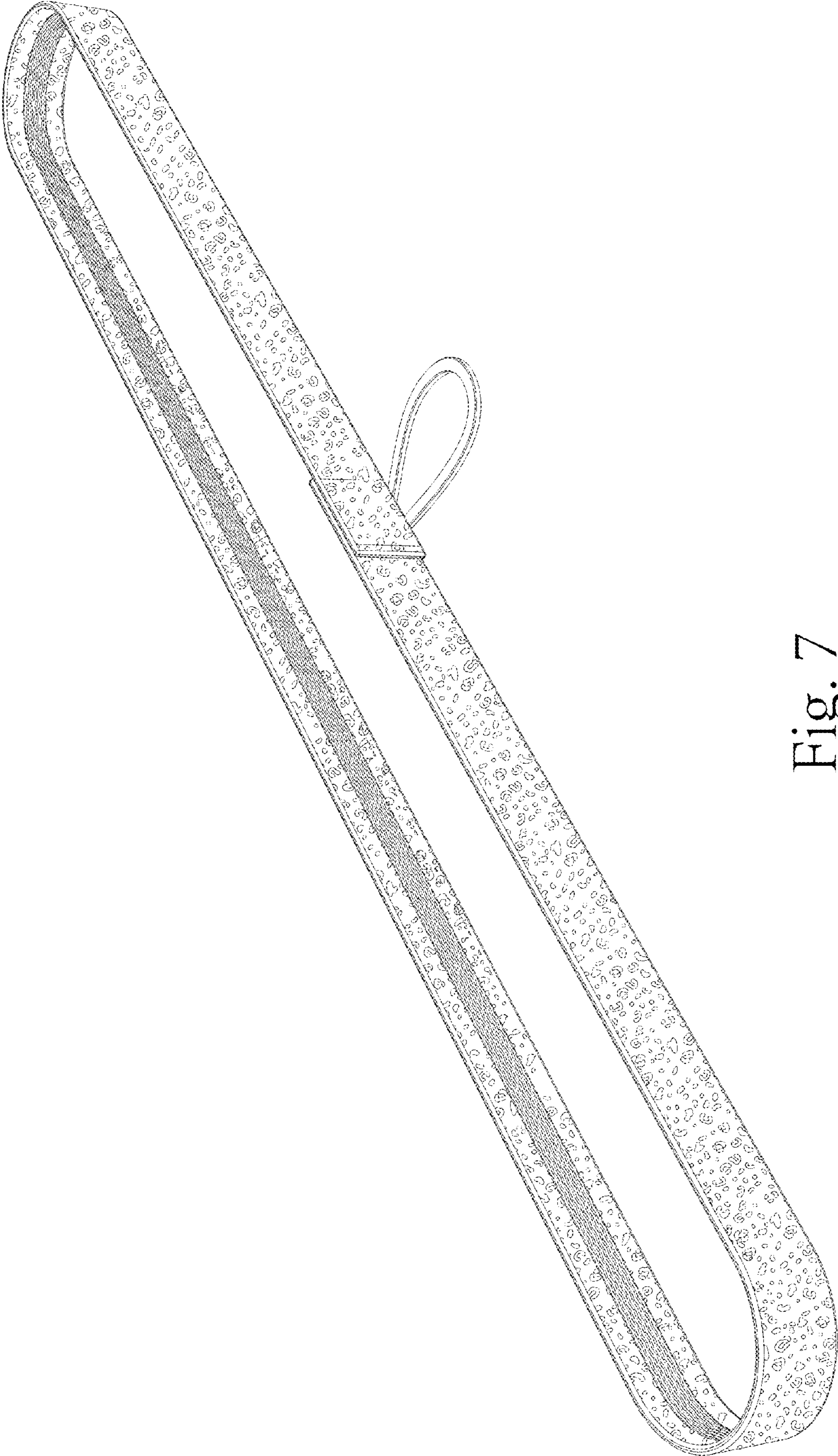


Fig. 7

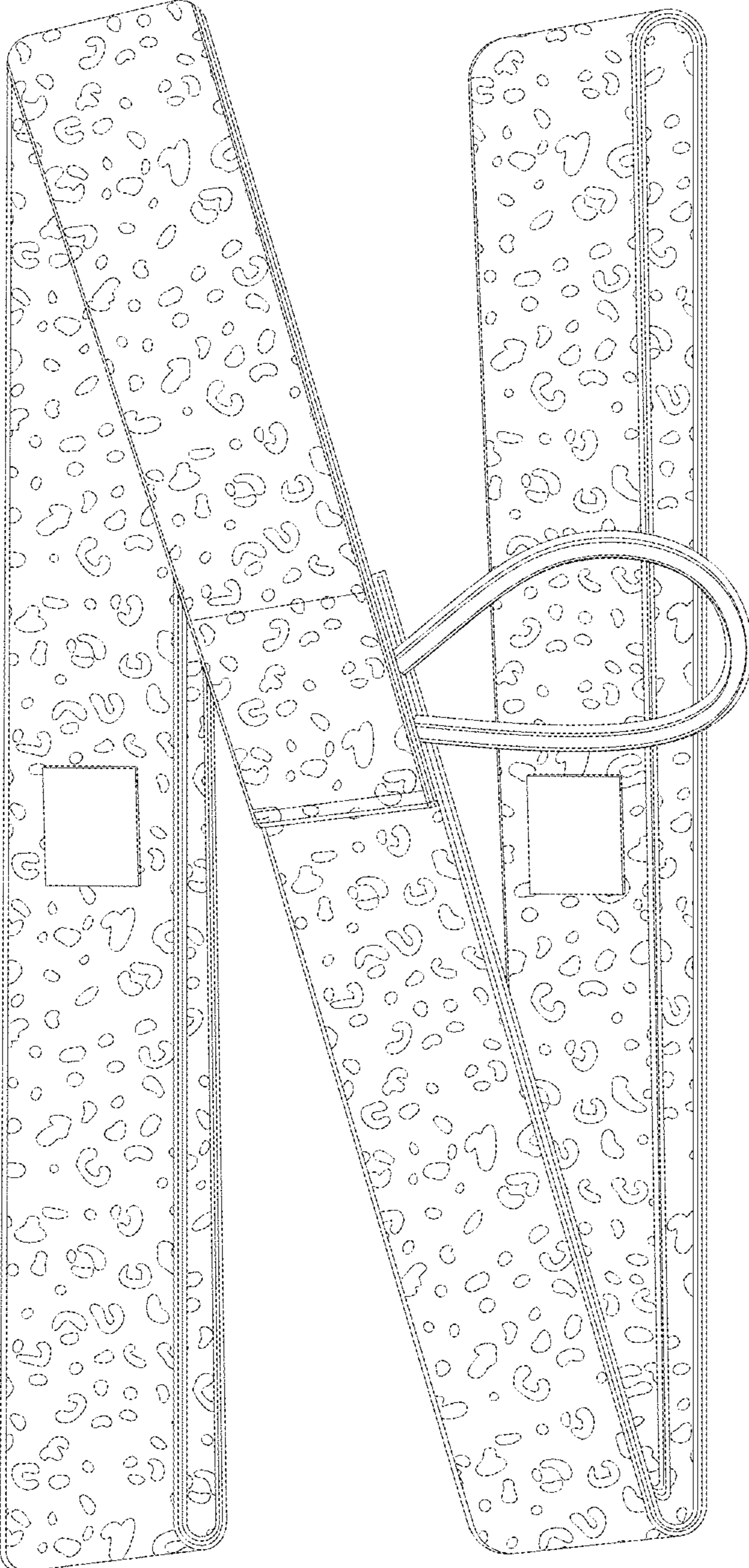


Fig. 8