



US00D914113S

(12) **United States Design Patent** (10) **Patent No.:** **US D914,113 S**
Jaquish et al. (45) **Date of Patent:** **** Mar. 23, 2021**

(54) **EXERCISE APPARATUS**
(71) Applicant: **Jaquish Biomedical Corporation**,
Nevada City, CA (US)
(72) Inventors: **John Paul Jaquish**, Nevada City, CA
(US); **Paul Edward Jaquish**, Nevada
City, CA (US); **Henry David Alkire**,
Nevada City, CA (US)
(73) Assignee: **Jaquish Biomedical Corporation**,
Nevada City, CA (US)
(**) Term: **15 Years**
(21) Appl. No.: **29/681,204**
(22) Filed: **Feb. 22, 2019**
(51) **LOC (13) Cl.** **21-02**
(52) **U.S. Cl.**
USPC **D21/679**
(58) **Field of Classification Search**
USPC D21/673, 679, 681, 682, 686, 691, 694;
D25/62, 66
CPC A63B 21/072; A63B 21/0724; A63B
21/0728; A63B 1/00; A63B 21/0023;
A63B 21/0601; A63B 21/015
See application file for complete search history.

D320,428 S * 10/1991 Rust D21/679
D330,057 S 10/1992 Saunders
D330,234 S 10/1992 Saunders
D330,235 S 10/1992 Traetta
5,154,678 A 10/1992 Adamczyk
5,178,596 A 1/1993 McIntire
(Continued)

FOREIGN PATENT DOCUMENTS

EP 2764896 A1 8/2014
KR 10200000 5/2000

OTHER PUBLICATIONS

Jaquishbiomedical, "X Bar Elite", Apr. 20, 2020. <https://www.jaquishbiomedical.com/products/>. Shown on p. 1. (Year: 2020).*
(Continued)

Primary Examiner — Cynthia Ramirez
Assistant Examiner — Michael A Maharajh
(74) *Attorney, Agent, or Firm* — Morgan, Lewis & Bockius LLP

(57) **CLAIM**

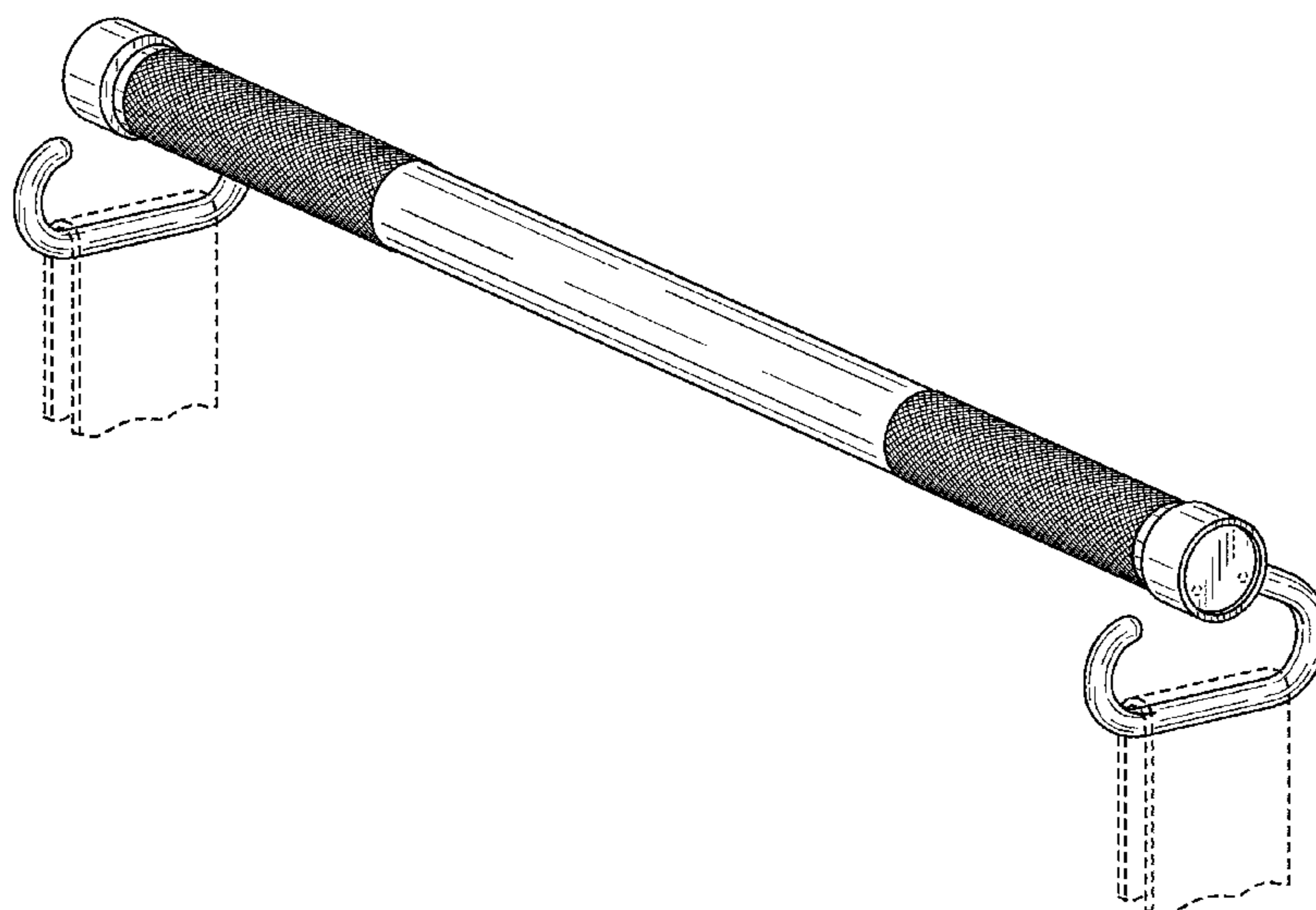
The ornamental design for an exercise apparatus, as shown and described.

DESCRIPTION

FIG. 1 is a perspective view of an exercise apparatus showing our new design;
FIG. 2 is a front view of the design of FIG. 1;
FIG. 3 is a back view of the design of FIG. 1;
FIG. 4 is a top view of the design of FIG. 1;
FIG. 5 is a bottom view of the design of FIG. 1;
FIG. 6 is a first side view of the design of FIG. 1; and,
FIG. 7 is a second side view of the design of FIG. 1.
The broken lines in the drawings are for illustrating portions of the exercise apparatus, which form no part of the claimed design.

1 Claim, 6 Drawing Sheets

(56) **References Cited**
U.S. PATENT DOCUMENTS
1,019,861 A 3/1912 Titus
3,117,781 A * 1/1964 Vargo A63B 21/0023
D21/686
3,193,288 A 7/1965 De Spain Le Vell
4,200,281 A 4/1980 Wang
4,257,592 A 3/1981 Jones
D263,327 S * 3/1982 Cooper D21/679
4,441,707 A 4/1984 Bosch
D287,283 S 12/1986 Johnson
D289,538 S * 4/1987 Wilson D21/679
D309,933 S * 8/1990 Brown, Jr. D21/679



(56)

References Cited

U.S. PATENT DOCUMENTS

5,197,934 A 3/1993 Wirtz
 5,213,554 A 5/1993 Goldstein
 D337,362 S 7/1993 Goldstein
 5,226,865 A 7/1993 Chin
 D339,179 S 9/1993 Wilkinson
 D339,619 S 9/1993 Bugnaski
 D342,298 S 12/1993 Schnabel, Jr.
 D342,771 S 12/1993 Tandberg
 D349,540 S 8/1994 Hand
 D353,419 S 12/1994 Sprague
 D353,637 S 12/1994 Huang
 5,472,390 A 12/1995 Faye
 D365,861 S * 1/1996 Moss, Jr. D21/679
 D369,627 S * 5/1996 Thor D21/679
 5,514,058 A 5/1996 Buoni
 D371,176 S 6/1996 Furner
 5,540,642 A 7/1996 Sprague
 5,645,511 A 7/1997 Le Roux
 5,653,665 A 8/1997 Neeley
 5,688,213 A 11/1997 Recker
 5,746,687 A 5/1998 Vial
 5,776,041 A 7/1998 Fisher
 5,885,196 A 3/1999 Gvoich
 D408,555 S 4/1999 Albrecht
 6,203,476 B1 3/2001 Wang et al.
 6,280,366 B1 8/2001 Hsieh
 D474,818 S 5/2003 Yu
 D482,748 S 11/2003 Flynt
 D495,379 S 8/2004 Dubus
 D519,172 S 4/2006 Penat
 7,052,449 B2 5/2006 Chen
 D526,367 S 8/2006 Loccarini
 7,175,574 B2 2/2007 Carmel et al.
 D542,867 S 5/2007 Teruo
 D556,841 S * 12/2007 Oates D21/662
 D564,604 S 3/2008 Mikail
 7,387,599 B1 6/2008 Hsu
 D583,883 S * 12/2008 Thomas D21/679
 D590,457 S 4/2009 Mishan
 7,578,775 B2 8/2009 Terry
 7,601,101 B2 10/2009 Jackson
 D604,374 S 11/2009 Bizzell
 D610,638 S 2/2010 Friess
 D626,607 S 11/2010 Kim
 D633,155 S * 2/2011 Brun D21/679
 7,922,624 B1 4/2011 Fairhurst
 D655,356 S * 3/2012 Sandman D21/679
 D657,008 S 4/2012 Markovic
 D670,345 S 11/2012 Guarrasi
 D680,599 S 4/2013 Orenstein
 D681,138 S 4/2013 Hodgkins
 D681,750 S 5/2013 Meyer-Hayoz
 D682,374 S 5/2013 Wilkinson
 D694,348 S * 11/2013 Rankin D21/679
 D695,367 S 12/2013 Lovegrove
 8,870,722 B2 10/2014 Kassel
 D717,381 S 11/2014 Orenstein
 D723,637 S 3/2015 Mercado
 D724,163 S 3/2015 Kelley
 D733,226 S * 6/2015 Abbate D21/679
 D739,481 S 9/2015 Glickfield
 D748,744 S * 2/2016 Hansen D21/679
 D748,745 S * 2/2016 Hansen D21/679
 9,254,405 B1 2/2016 Marji

D764,607 S * 8/2016 Beckford D21/679
 D778,374 S 2/2017 Jaquish
 D785,106 S 4/2017 Panes
 D785,731 S 5/2017 Stack
 D798,396 S * 9/2017 Agate D21/679
 D804,590 S 12/2017 Hillson
 D806,806 S 1/2018 Chen
 D825,696 S 8/2018 Mercenari Uribe
 D825,697 S 8/2018 Mercenari Uribe
 D834,115 S * 11/2018 Gilbert D21/679
 D842,940 S * 3/2019 Harden D21/679
 D853,505 S * 7/2019 Toueg D21/679
 D855,718 S 8/2019 Hsu
 D864,316 S 10/2019 Brown
 D865,084 S * 10/2019 Croxton D21/679
 D875,194 S 2/2020 Zhou
 2002/0137609 A1 9/2002 Rosati
 2005/0101453 A1 * 5/2005 Jeneve A63B 21/015
 482/106
 2005/0239617 A1 10/2005 Tenaglia
 2006/0128540 A1 6/2006 Engle
 2007/0207903 A1 9/2007 Csabai
 2007/0207905 A1 9/2007 Winston
 2009/0093349 A1 * 4/2009 Cooper A63B 23/03508
 482/106
 2010/0227747 A1 * 9/2010 Cook A63B 21/0724
 482/112
 2011/0207583 A1 8/2011 Elpers
 2011/0256987 A1 10/2011 Lepore
 2014/0228180 A1 8/2014 Walker
 2015/0367159 A1 12/2015 Harris
 2016/0199689 A1 7/2016 Irwin
 2017/0080284 A1 3/2017 Hillson
 2018/0236299 A1 * 8/2018 Warriner A63B 21/4035
 2019/0069650 A1 * 3/2019 Walker A63B 21/0601
 2019/0217147 A1 * 7/2019 Garcia A63B 21/0724

OTHER PUBLICATIONS

International Design U.S. Appl. No. 35/001,051, filed Jul. 17, 2015.
 U.S. Appl. No. 29/515,595, filed May 7, 2020 now Design U.S. Pat. No. D778,374.
 U.S. Appl. No. 29/733,956, filed May 7, 2020.
 U.S. Appl. No. 29/733,965, filed May 7, 2020.
 U.S. Appl. No. 29/734,014, filed May 8, 2020.
 U.S. Appl. No. 29/734,015, filed May 8, 2020.
 U.S. Appl. No. 29/734,055, filed May 8, 2020.
 U.S. Appl. No. 29/734,056, filed May 8, 2020.
 U.S. Appl. No. 29/734,057, filed May 8, 2020.
 U.S. Appl. No. 29/734,091, filed May 8, 2020.
 U.S. Appl. No. 29/734,092, filed May 8, 2020.
 U.S. Appl. No. 29/721,688, filed Jan. 22, 2020.
 U.S. Appl. No. 29/721,690, filed Jan. 22, 2020.
 U.S. Appl. No. 29/730,874, filed Apr. 9, 2020.
 U.S. Appl. No. 29/730,876, filed Apr. 9, 2020.
 U.S. Appl. No. 29/730,897, filed Apr. 9, 2020.
 U.S. Appl. No. 29/712,411, filed Nov. 7, 2019.
 Jaquishbiomedical, "GH Accelerator", Nov. 13, 2019. <https://www.jaquishbionmedical.com/products/gh-accelerator/#reviews>. Shown on p. 1. (Year: 2019).
 Youtube, "Introducing the GH Accelerator", Nov. 12, 2018. <https://www.youtube.com/watch?v=1L-CahGcDOI>. Shown at the 2:00 minute mark. (Year: 2018).

* cited by examiner

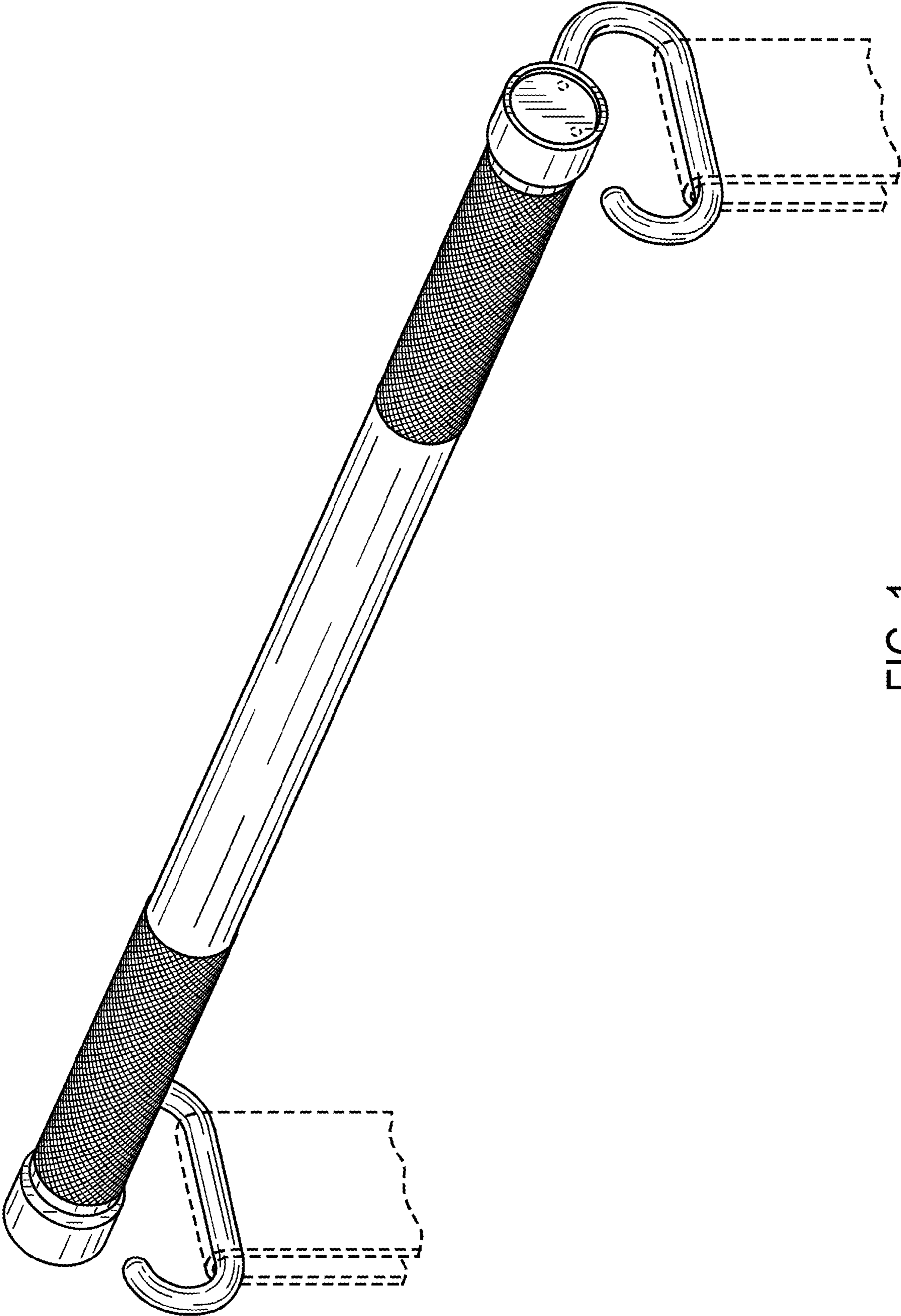


FIG. 1

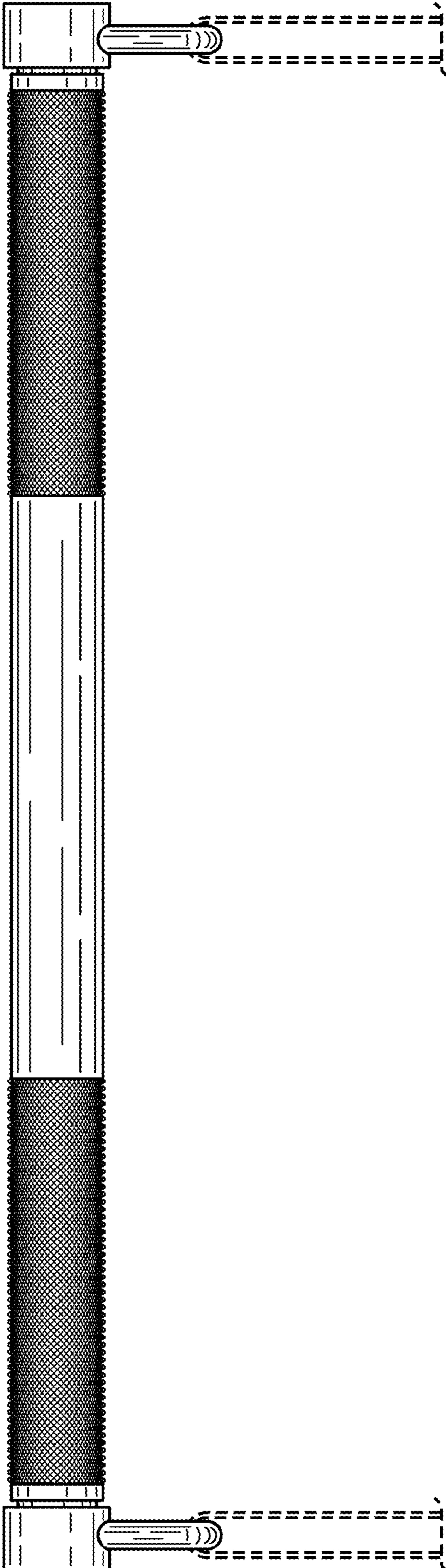


FIG. 2

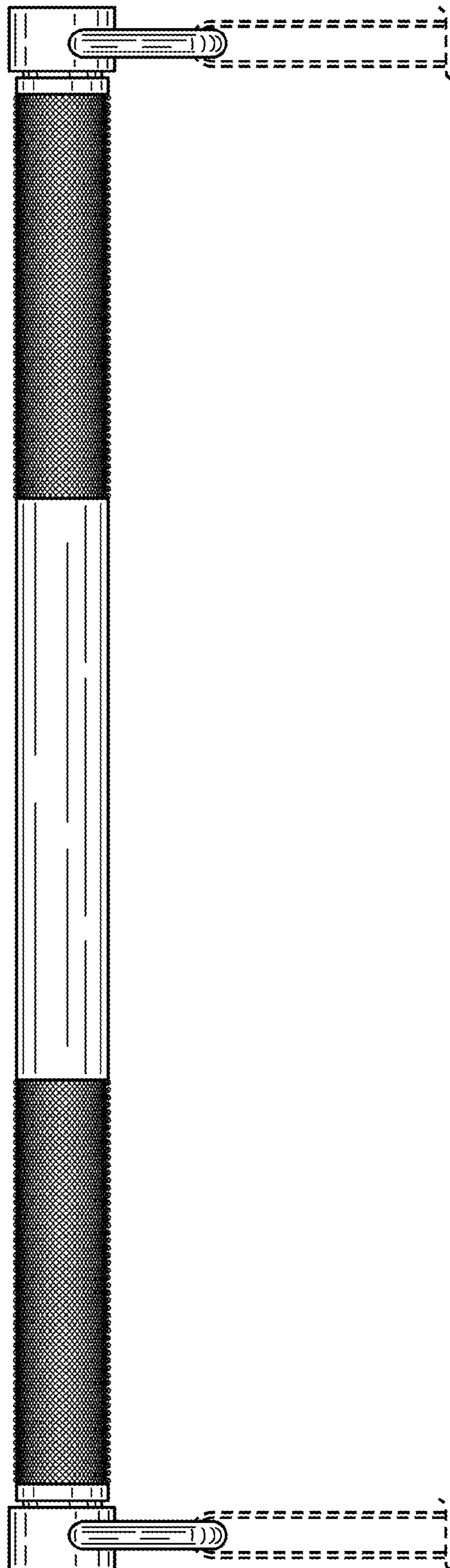


FIG. 3

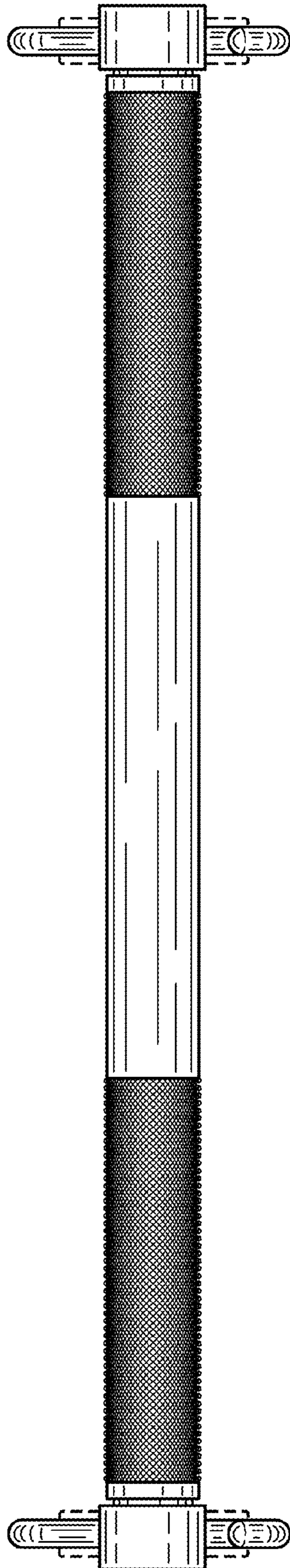


FIG. 4

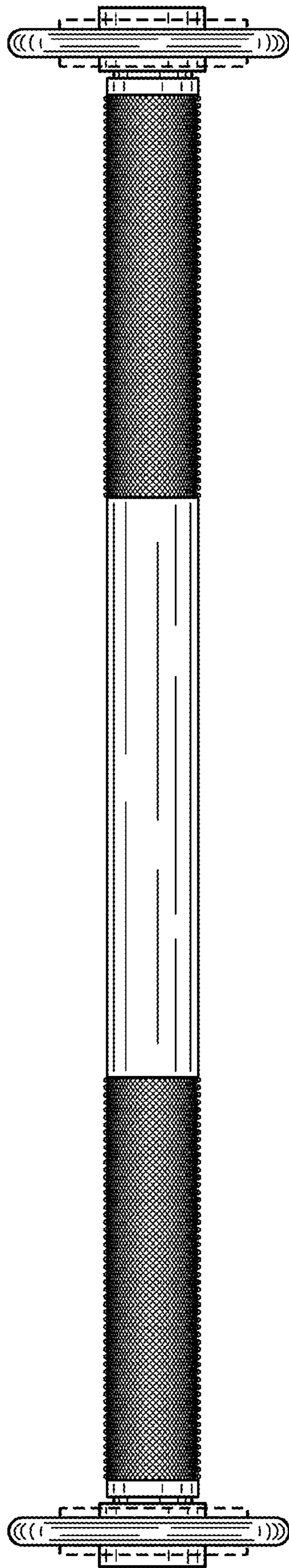


FIG. 5

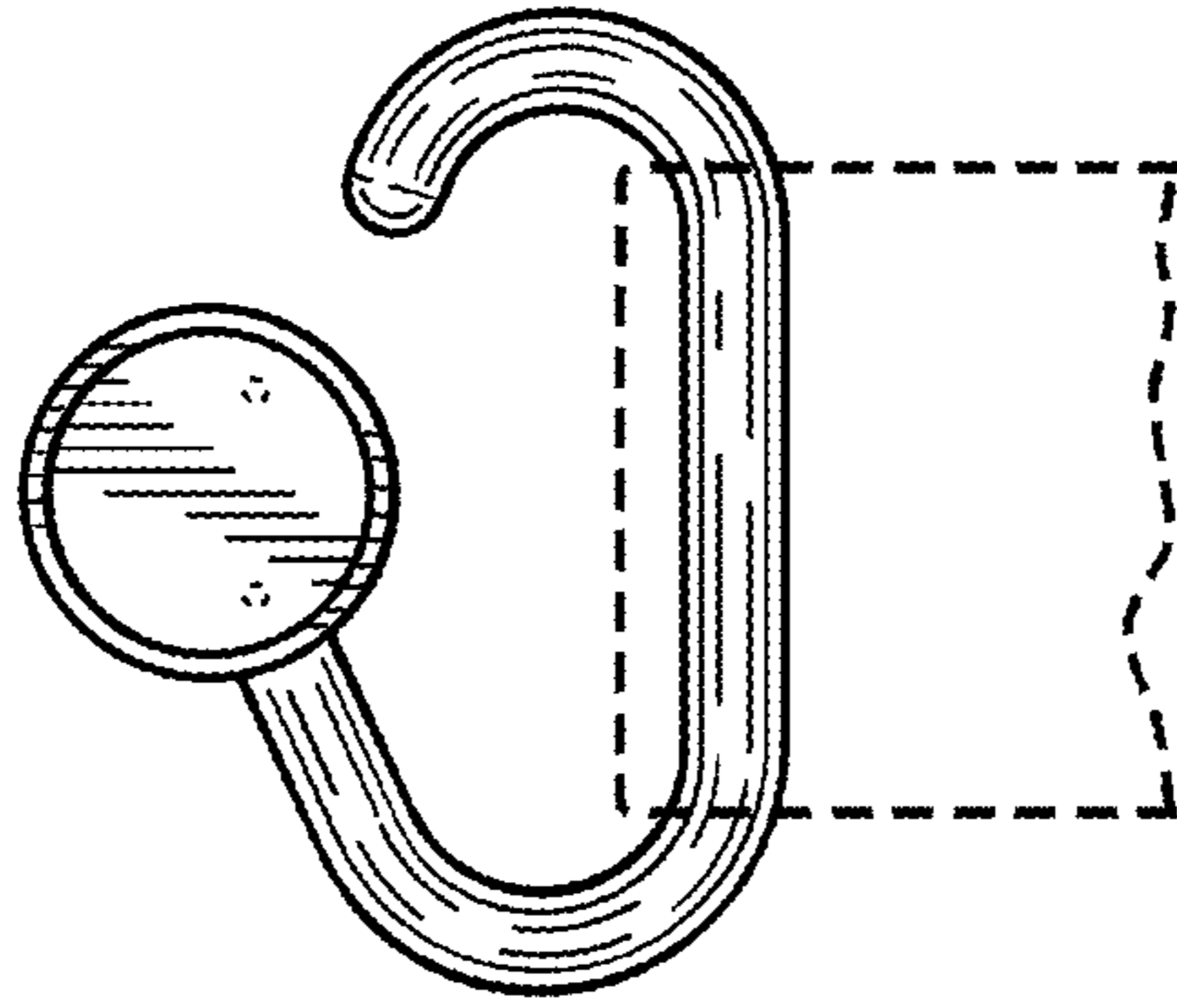


FIG. 7

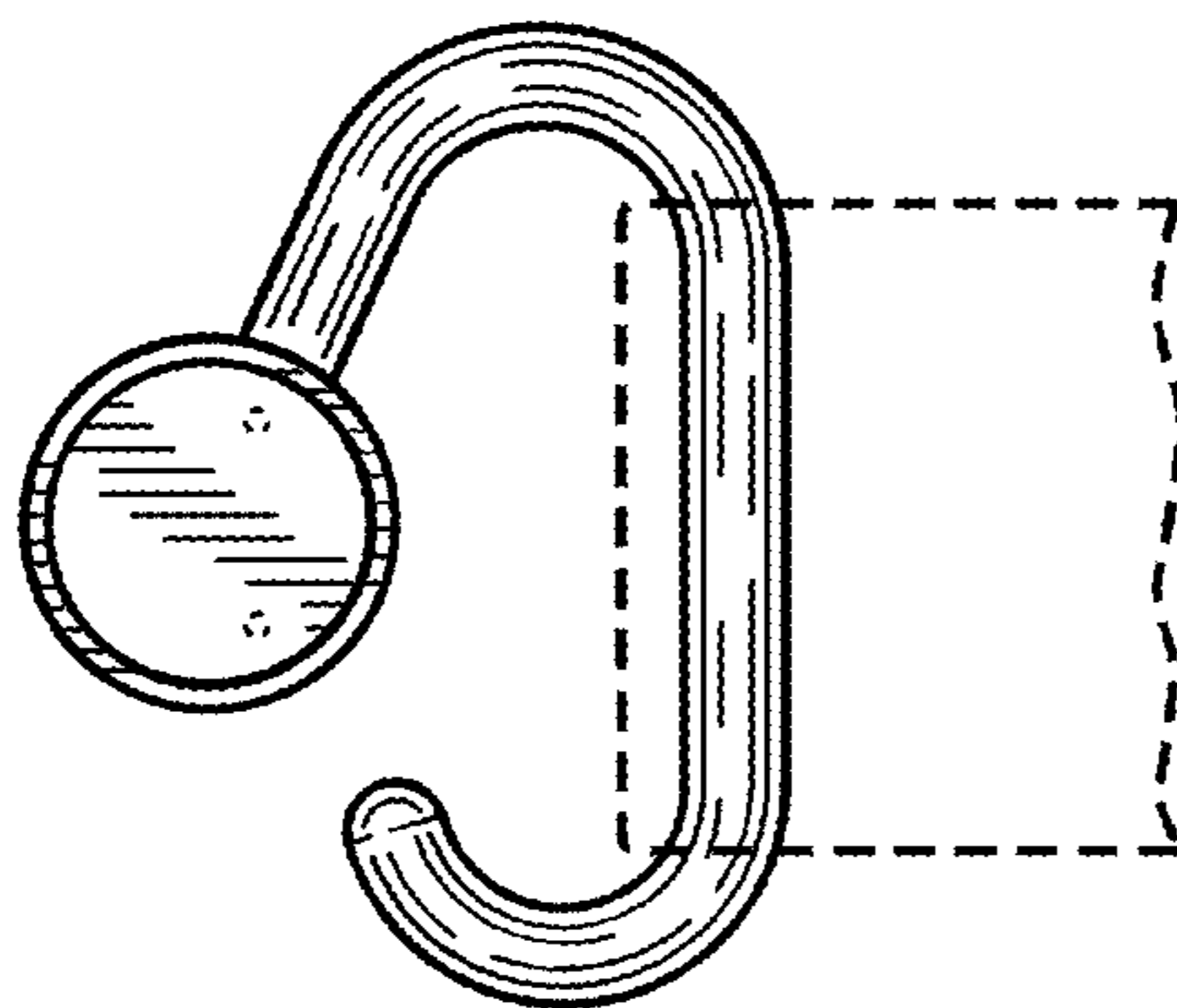


FIG. 6