



US00D914110S

(12) **United States Design Patent**
Hwang et al.

(10) **Patent No.:** **US D914,110 S**

(45) **Date of Patent:** **** Mar. 23, 2021**

- (54) **CONSTRUCTION SET ELEMENT**
- (71) Applicant: **LEGO A/S**, Billund (DK)
- (72) Inventors: **Byeongjun Hwang**, Ansan-si (KR);
Kyoungbae Na, Suwon-si (KR)
- (73) Assignee: **LEGO A/S**, Billund (DK)
- (**) Term: **15 Years**
- (21) Appl. No.: **29/693,261**
- (22) Filed: **May 31, 2019**
- (51) **LOC (13) Cl.** **21-01**
- (52) **U.S. Cl.**
USPC **D21/503**; D21/486
- (58) **Field of Classification Search**
USPC D21/468, 470, 471, 478, 479, 484-505
CPC A63H 33/04; A63H 33/044; A63H 33/06;
A63H 33/062; A63H 33/086; A63H
33/088; A63H 33/10; A63H 33/101;
A63H 33/108; A63H 33/12
See application file for complete search history.

- D687,108 S * 7/2013 Thygesen D21/486
- D702,772 S * 4/2014 Jensen D21/486
- D711,975 S * 8/2014 Norman D21/486
- 9,044,690 B2 * 6/2015 Uttley A63H 33/102
- D786,364 S * 5/2017 Richards D21/484
- D833,540 S * 11/2018 Zhang D21/486

OTHER PUBLICATIONS

Bricklink, "Technic, Liftarm 1x3 Thick, Item No. 32523", Accessed online on Jun. 4, 2019, at <<<https://www.bricklink.com/v2/catalog/catalogitem.page?P=32523#T=C>>> "Years Released: 2000-2019".

* cited by examiner

Primary Examiner — Cynthia M. Chin

(74) *Attorney, Agent, or Firm* — Valeriya Svystun; Day Pitney LLP

(57) **CLAIM**

We claim the ornamental design for a construction set element, as shown and described.

DESCRIPTION

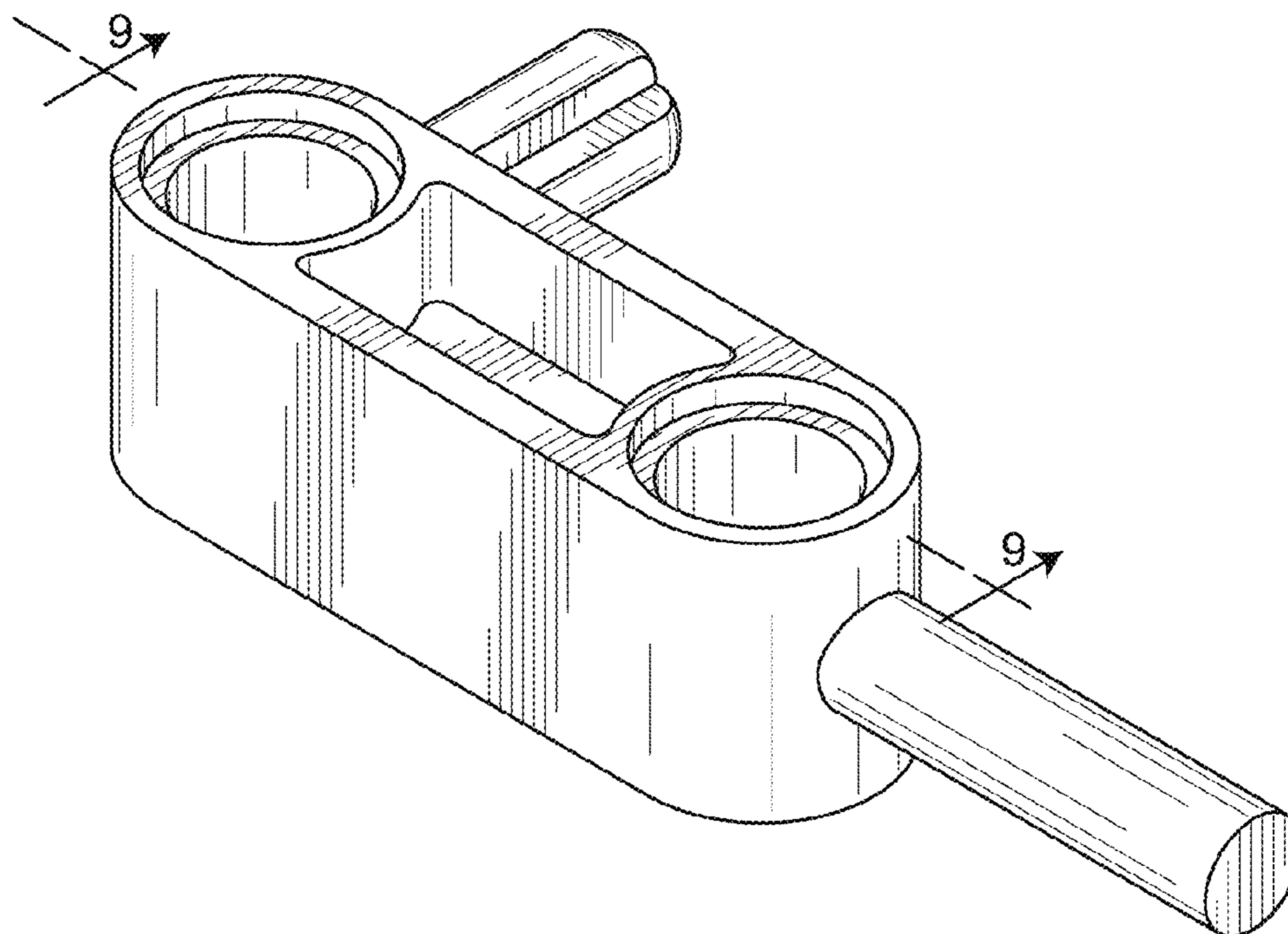
FIG. 1 is a top perspective view of a construction set element, showing our new design; FIG. 2 is a rear perspective view thereof; FIG. 3 is a front elevational view thereof; FIG. 4 is a rear elevational view thereof; FIG. 5 is a left side elevational view thereof; FIG. 6 is a right side elevational view thereof; FIG. 7 is a top plan view thereof; FIG. 8 is a bottom plan view thereof; and, FIG. 9 is a length-wise sectional view taken from line 9-9 in FIG. 1.

1 Claim, 6 Drawing Sheets

(56) **References Cited**

U.S. PATENT DOCUMENTS

- D226,114 S * 1/1973 Nutting D21/486
- D290,721 S * 7/1987 Ryaa D21/484
- D359,999 S * 7/1995 Schmidt D21/486
- D367,503 S * 2/1996 Schmidt D21/495
- D374,257 S * 10/1996 Schmidt D21/486
- D410,704 S * 6/1999 Krog D21/486
- 7,517,270 B2 * 4/2009 Marzetta A63H 33/101
446/113
- D616,047 S * 5/2010 Christensen D21/502



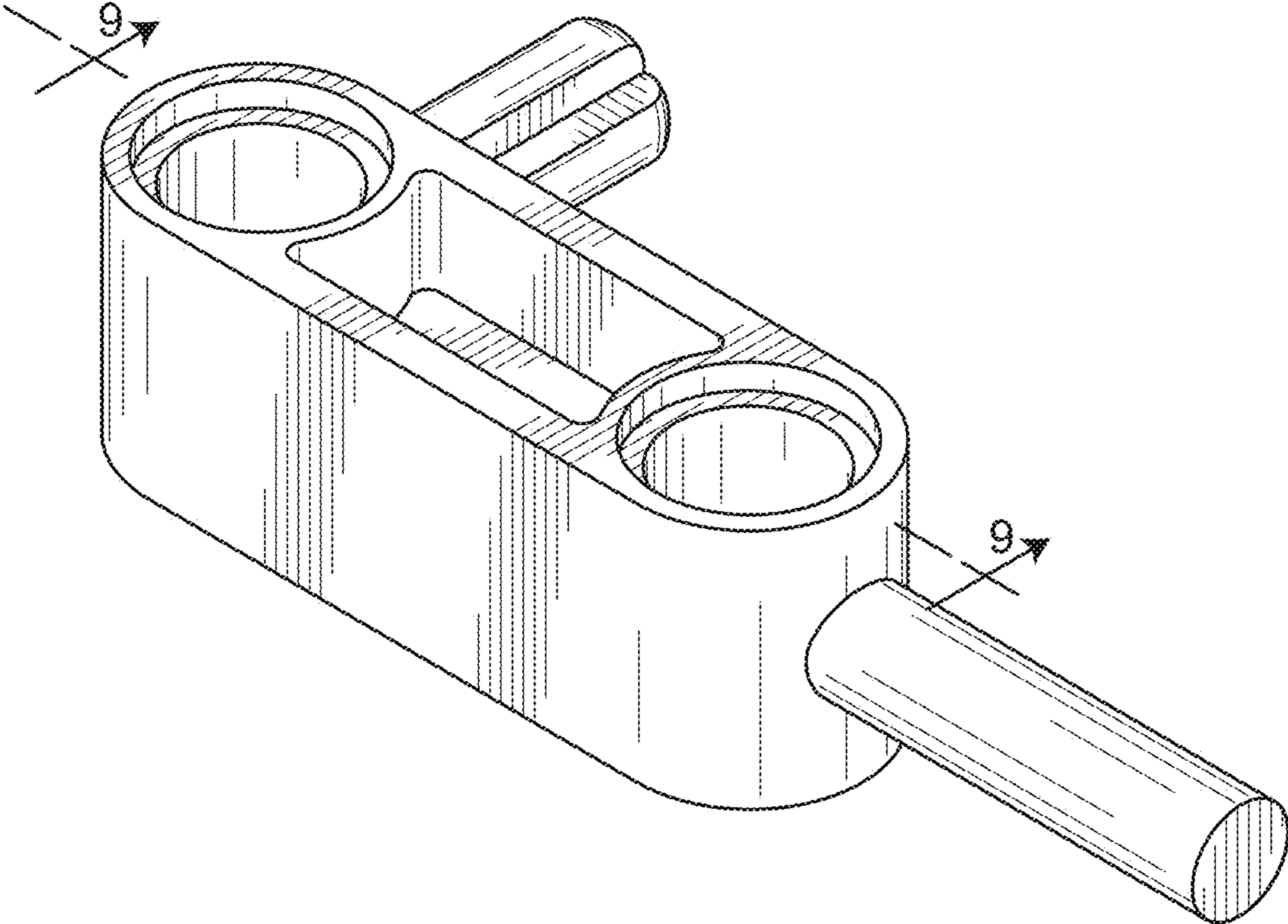


FIG. 1

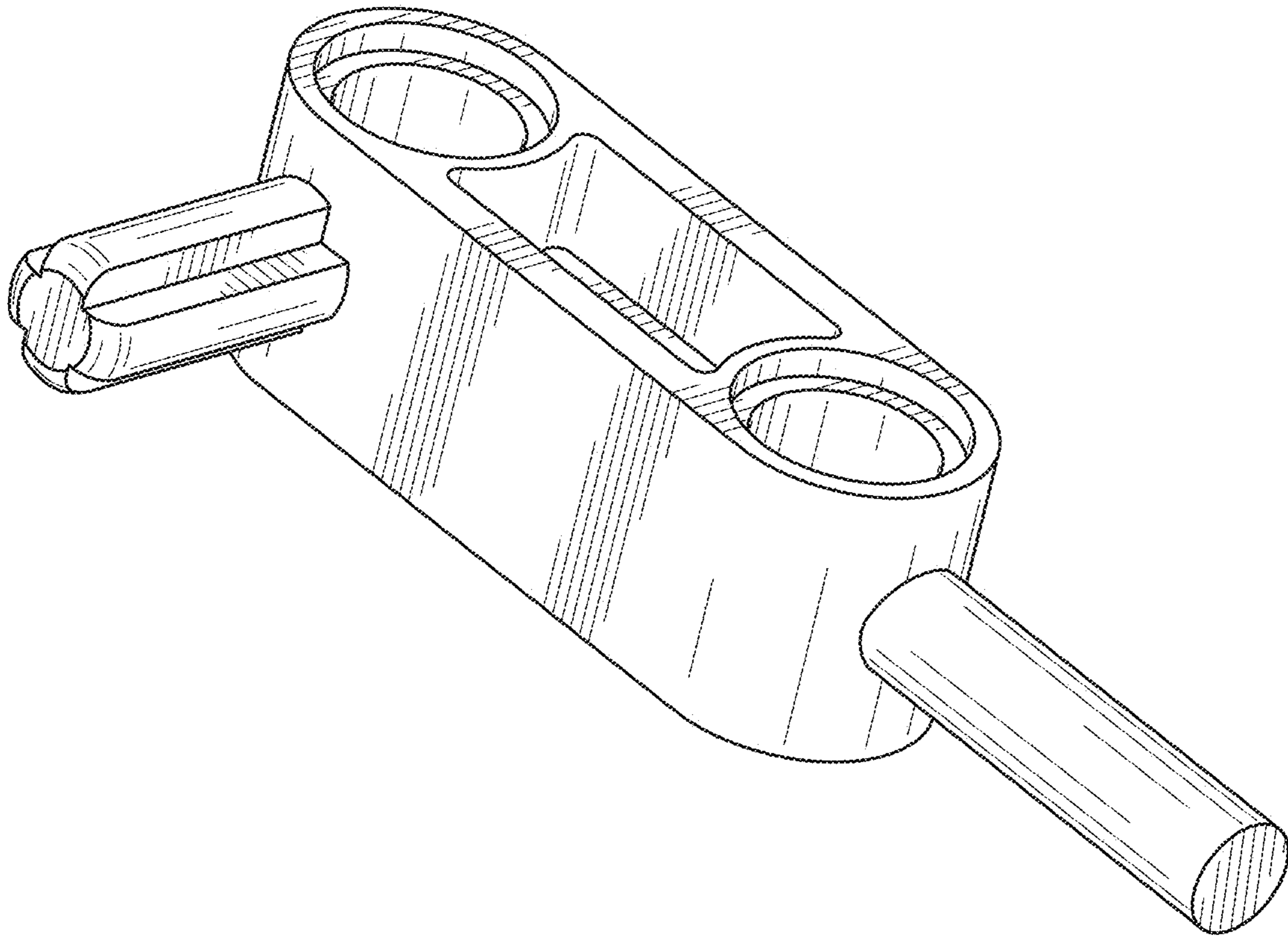


FIG. 2

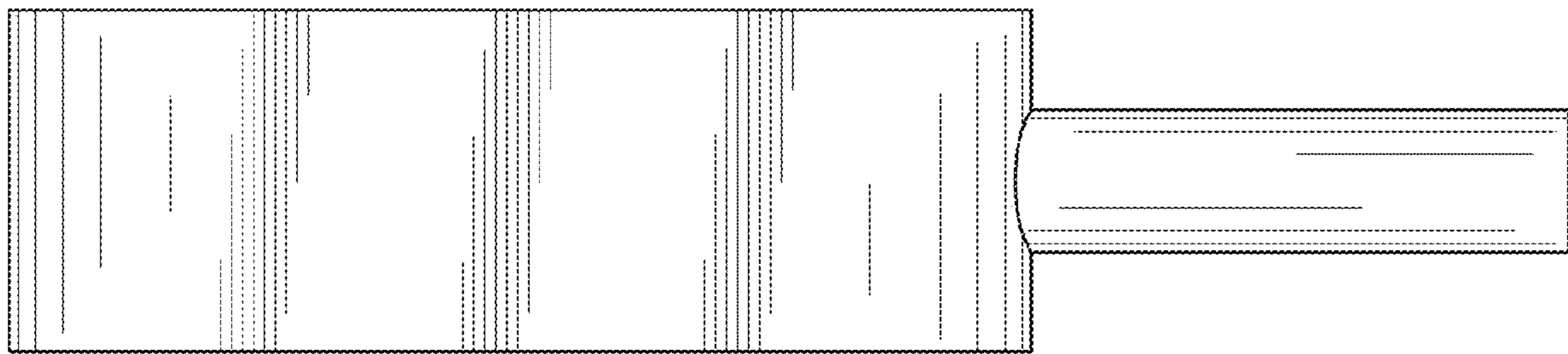


FIG. 3

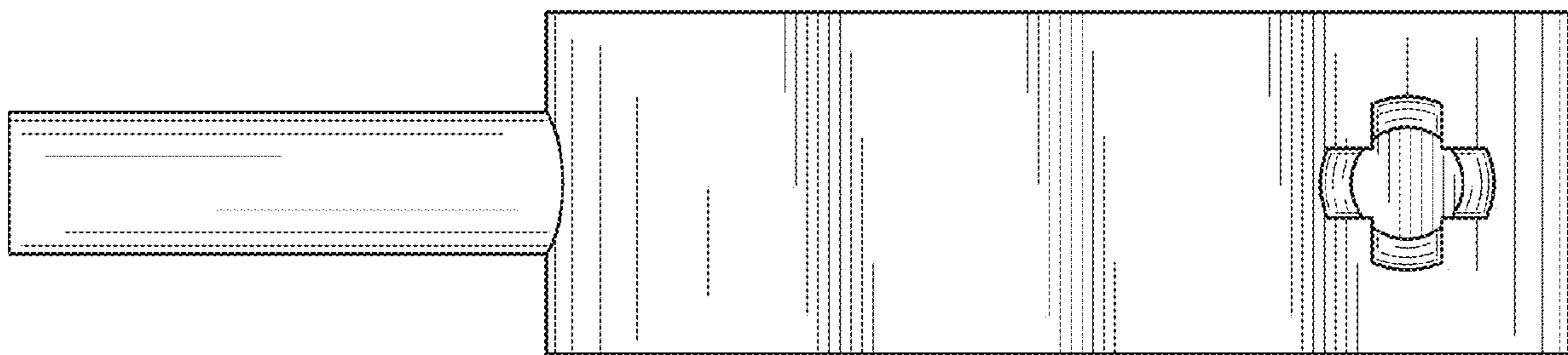


FIG. 4

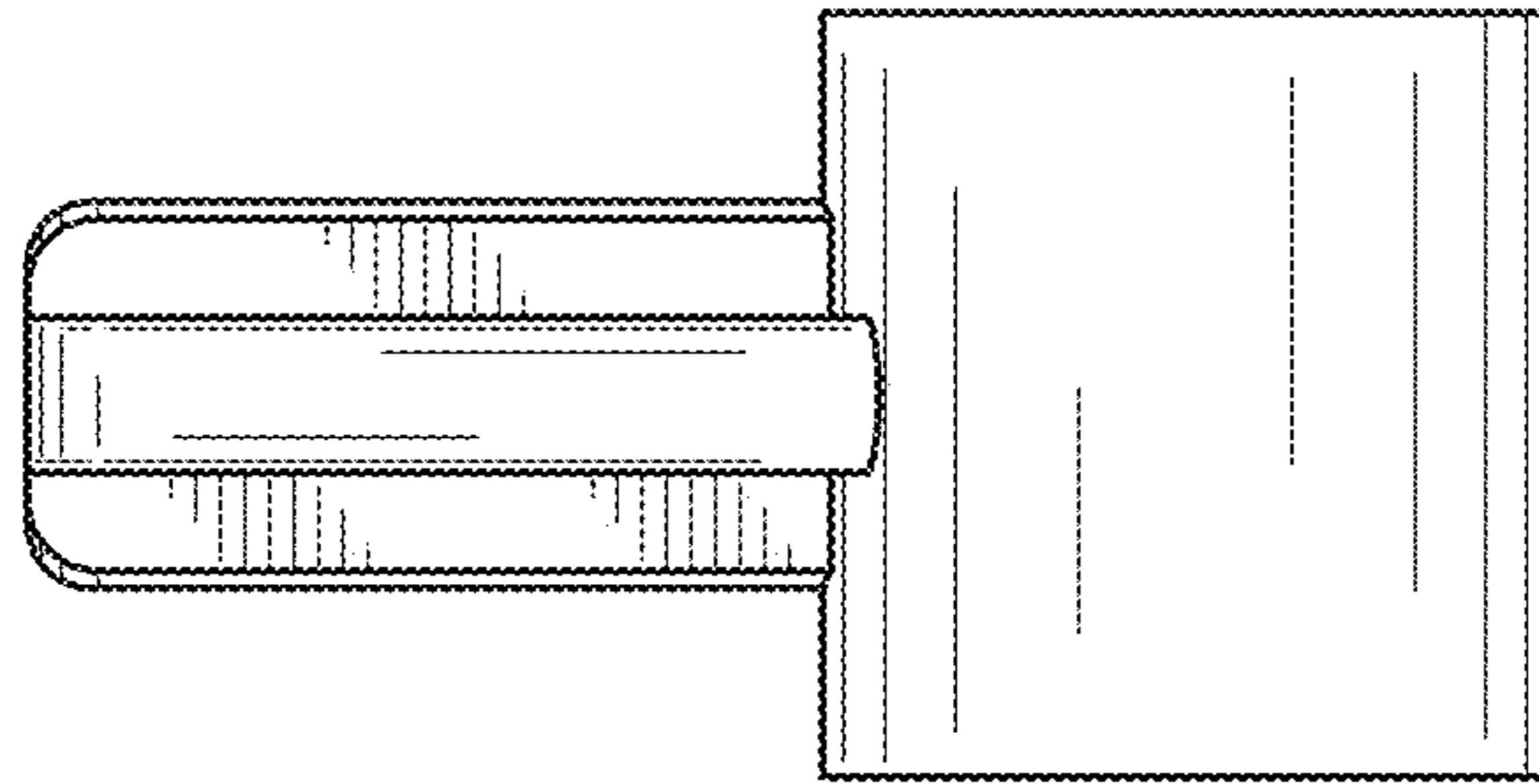


FIG. 5

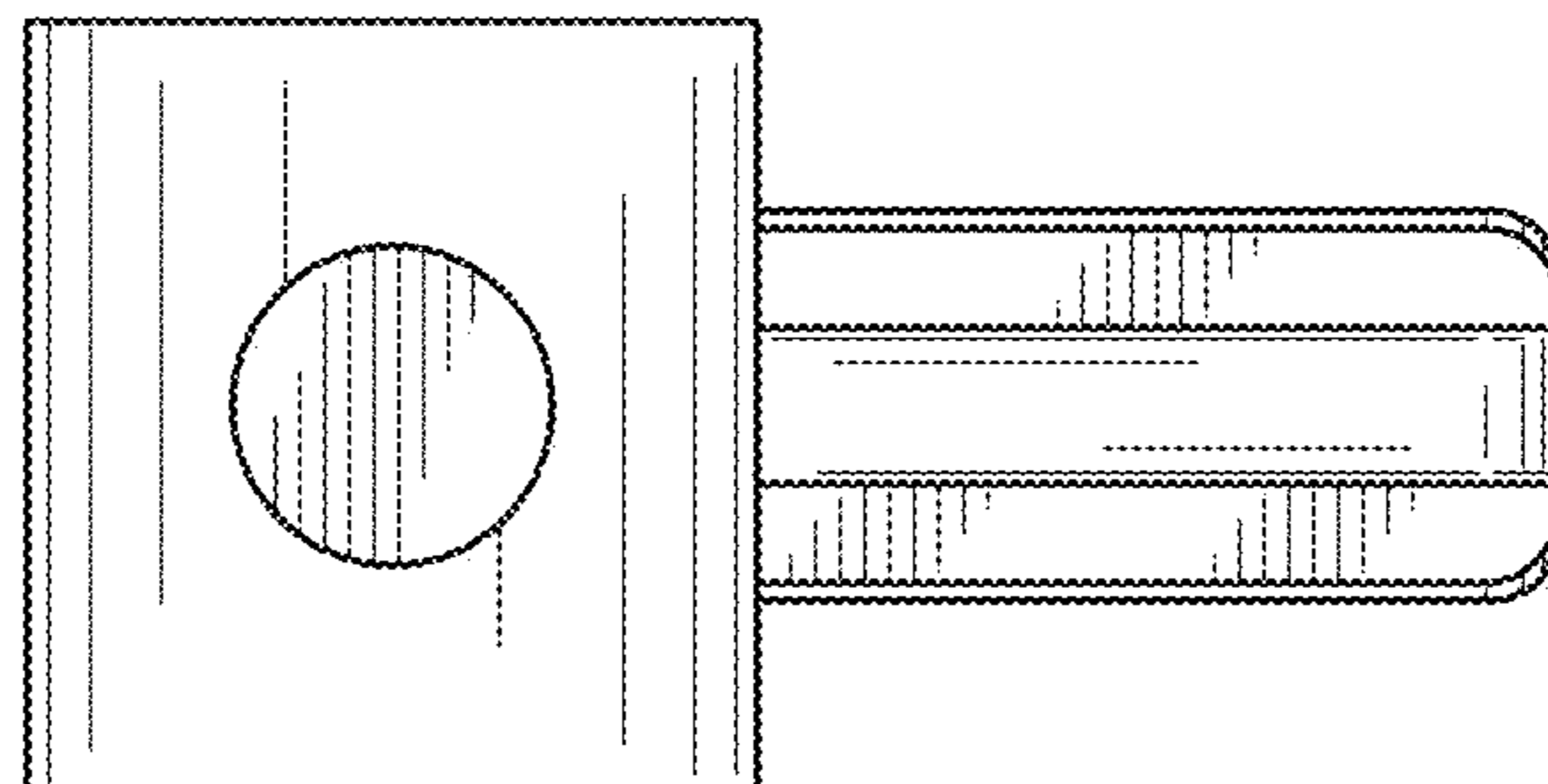


FIG. 6

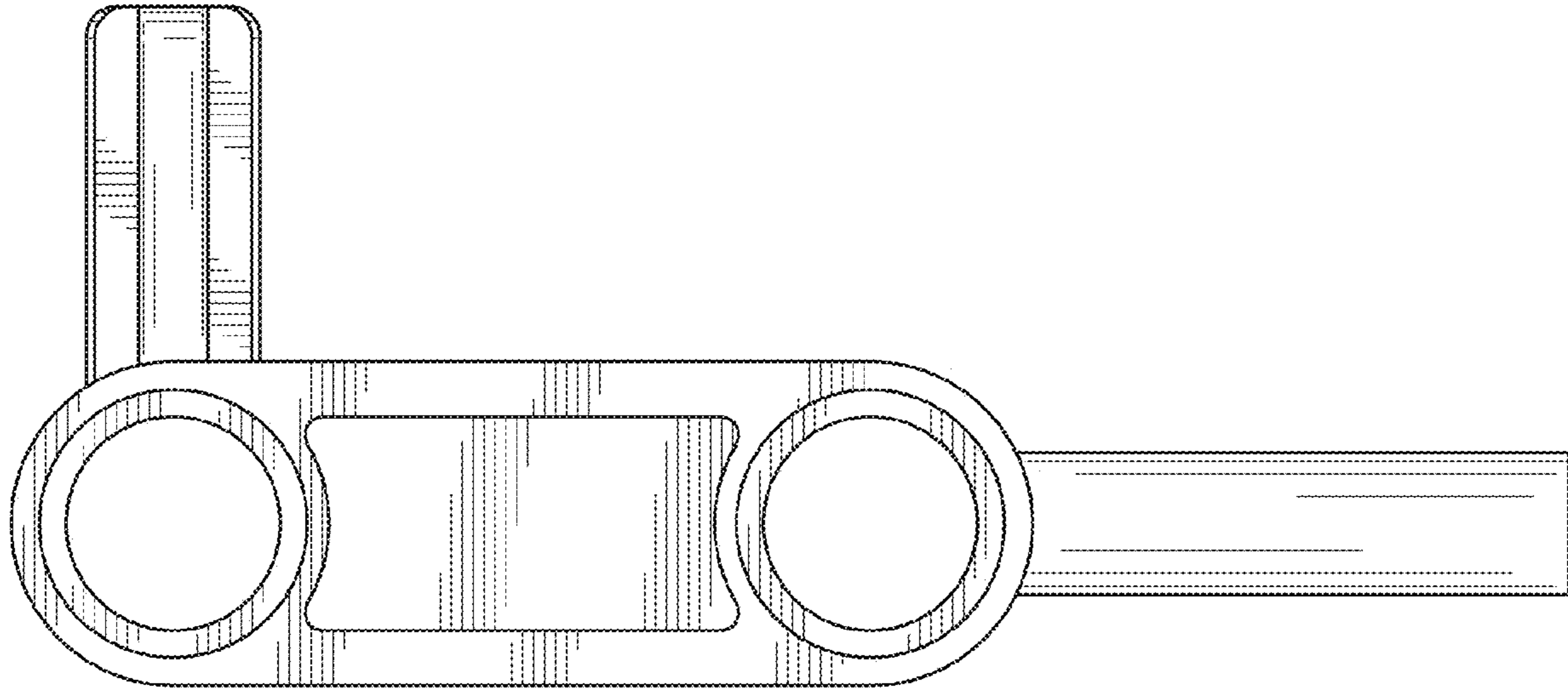


FIG. 7

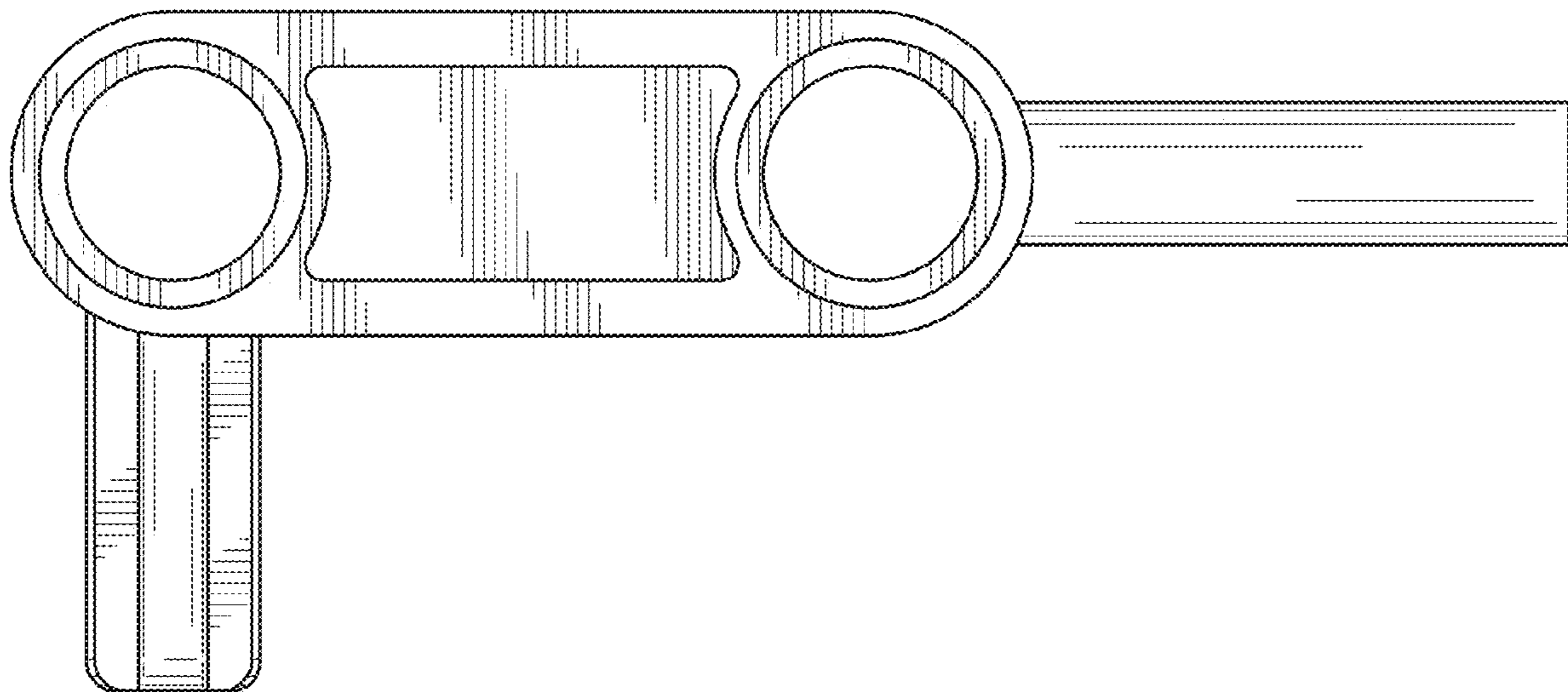


FIG. 8

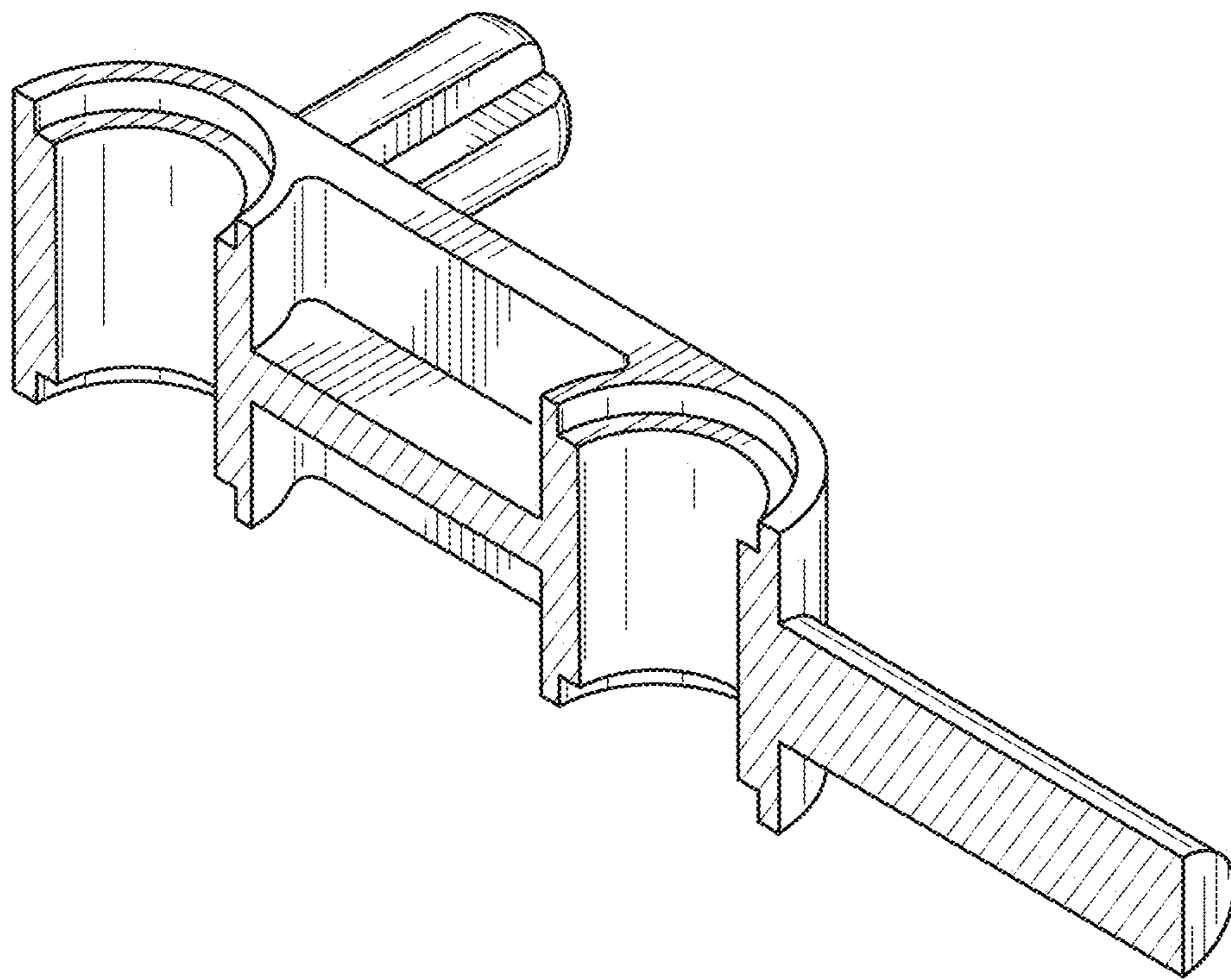


FIG. 9