



US00D914109S

(12) **United States Design Patent**
Gaba et al.

(10) **Patent No.:** **US D914,109 S**
(45) **Date of Patent:** **** Mar. 23, 2021**

(54) **ROBOTIC TOY**
(71) Applicant: **Building Blocks Learning Solutions Pvt. Ltd.**, New Delhi (IN)
(72) Inventors: **Rajeev Gaba**, Ghaziabad (IN); **Tarun Bhalla**, New Delhi (IN); **Ishaan Iyer**, Gurgaon (IN); **Manoj Jakhar**, New Delhi (IN)
(73) Assignee: **BUILDING BLOCKS LEARNING SOLUTIONS PVT. LTD.**, New Delhi (IN)

8,157,470 B2 * 4/2012 De Wilde A63H 33/106
403/348
8,382,548 B2 * 2/2013 Maggiore A63H 33/062
446/120
D725,716 S * 3/2015 Kaplan D21/484
D726,261 S * 4/2015 Uno D21/499
D741,414 S * 10/2015 Lu D21/499

(Continued)

Primary Examiner — Cynthia M. Chin
(74) *Attorney, Agent, or Firm* — Pillsbury Winthrop Shaw Pittman LLP

(**) Term: **15 Years**

(57) **CLAIM**
The ornamental design for a robotic toy, as shown and described.

(21) Appl. No.: **29/694,960**

DESCRIPTION

(22) Filed: **Jun. 14, 2019**

(30) **Foreign Application Priority Data**

Dec. 14, 2018 (IN) 313063-001

(51) **LOC (13) Cl.** **21-01**

(52) **U.S. Cl.**
USPC **D21/499**

(58) **Field of Classification Search**
USPC D21/478, 479, 484, 485–505, 578–584
CPC A63H 33/00; A63H 33/04; A63H 33/06;
A63H 33/08; A63H 33/10; A63H 33/12;
A63H 33/14; A63F 9/08; A63F 9/12;
G09B 1/36
See application file for complete search history.

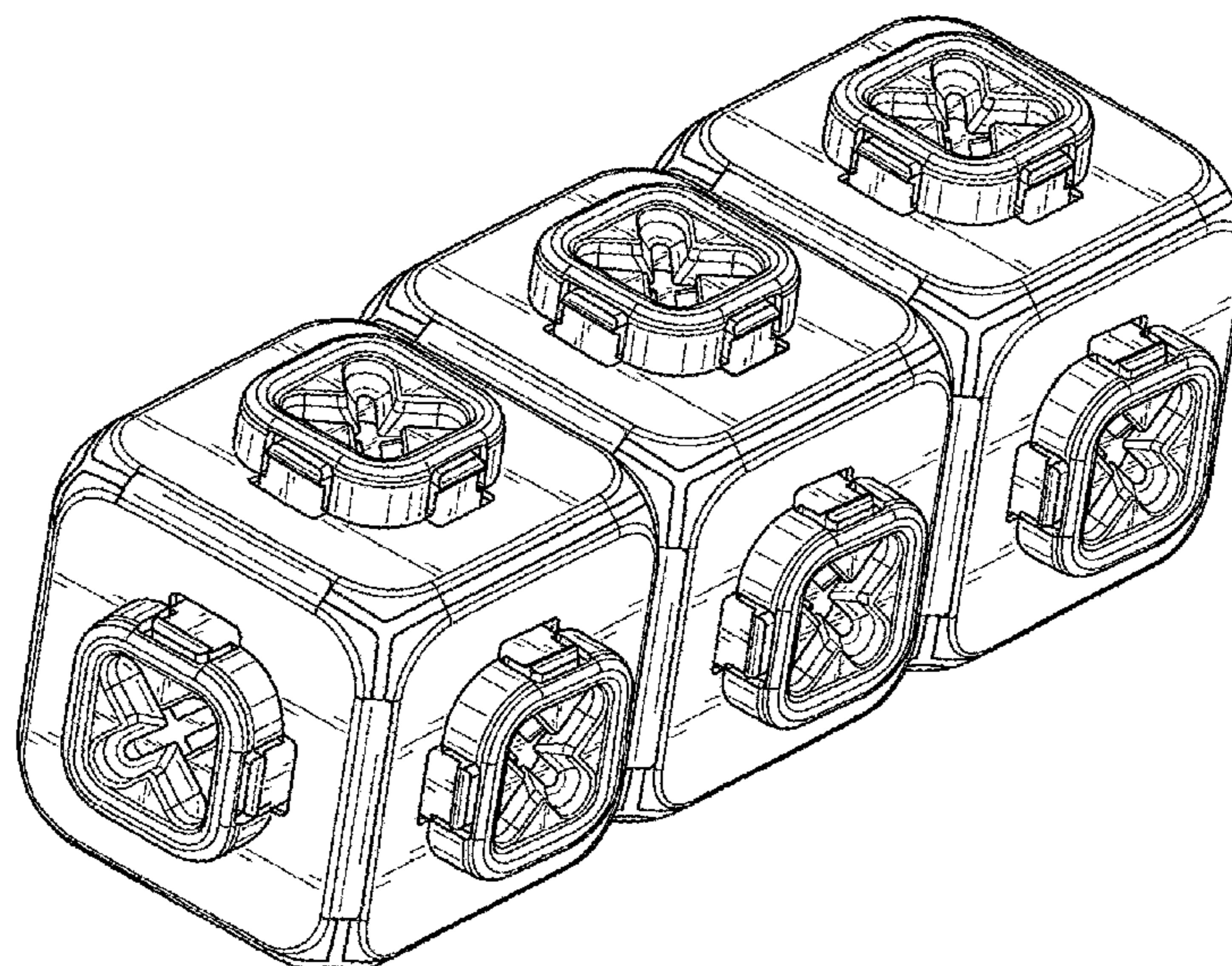
FIG. 1 is a perspective view of a robotic toy embodying an aspect of the design;
FIG. 2 is a front view of the toy of FIG. 1;
FIG. 3 is a back view of the toy of FIG. 1;
FIG. 4 is a top view of the toy of FIG. 1;
FIG. 5 is a bottom view of the toy of FIG. 1;
FIG. 6 is a left view of the toy of FIG. 1;
FIG. 7 is a right view of the toy of FIG. 1;
FIG. 8 is a cross-sectional view taken along line 8-8 in FIG. 2;
FIG. 9 is a left side, perspective view of the cross-section of FIG. 8;
FIG. 10 is a right side, perspective view of the cross-section;
FIG. 11 is a cross-sectional view taken along line 11-11 in FIG. 2;
FIG. 12 is a front perspective view of the cross-section of FIG. 11; and,
FIG. 13 is a perspective view of the cross-section.
In the drawings, the broken lines depicting portions of the toy form no part of the claimed design; all other broken lines depict unclaimed environmental subject matter and form no part of the claimed design.

(56) **References Cited**

U.S. PATENT DOCUMENTS

D403,028 S * 12/1998 Barton, Jr. D21/486
6,679,780 B1 * 1/2004 Shih A63F 9/1204
273/156
7,322,873 B2 * 1/2008 Rosen A63H 33/042
446/124

1 Claim, 13 Drawing Sheets



(56)

References Cited

U.S. PATENT DOCUMENTS

D754,262	S *	4/2016	Kaplan	D21/491
9,345,983	B2 *	5/2016	Meys	A63H 33/062
9,472,112	B2 *	10/2016	Schweikardt	A63H 33/04
D775,694	S *	1/2017	Kaplan	D21/486
D792,521	S *	7/2017	Laris	D21/499
D794,134	S *	8/2017	Wang	D21/499
D795,359	S *	8/2017	Ahn	D21/499
D841,742	S *	2/2019	Semling	D21/499
D852,896	S *	7/2019	Semling	D21/499
D892,230	S *	8/2020	Wu	D21/499
D892,231	S *	8/2020	Jung	D21/499
2011/0039474	A1 *	2/2011	Bruder	A63H 33/101
					446/124
2013/0115849	A1 *	5/2013	Yap	A63H 9/00
					446/128
2020/0206646	A1 *	7/2020	Zeng	A63H 33/08
2020/0215450	A1 *	7/2020	Saltan	A63H 33/062
2020/0222821	A1 *	7/2020	Lange	A63H 33/088

* cited by examiner

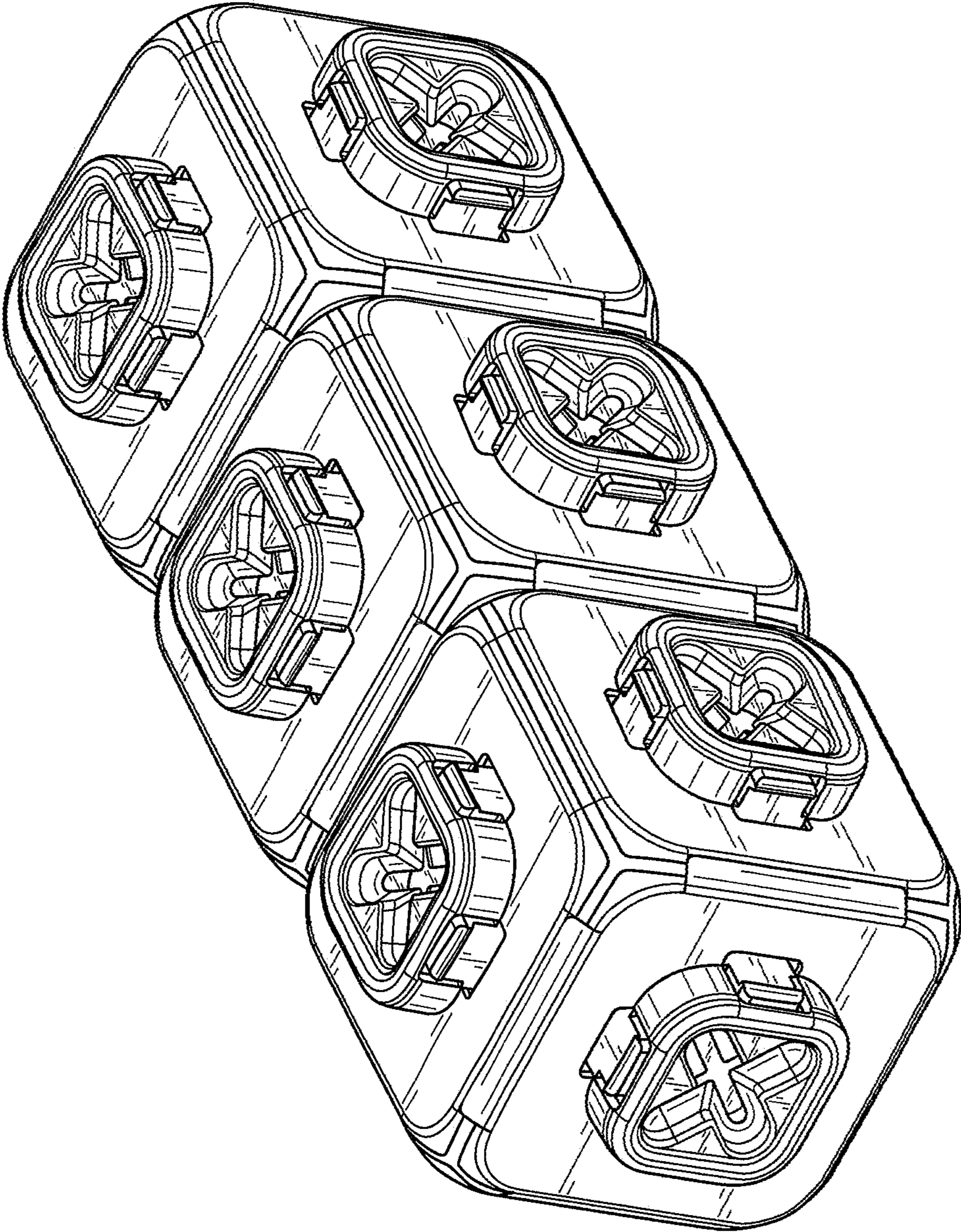


FIG. 1

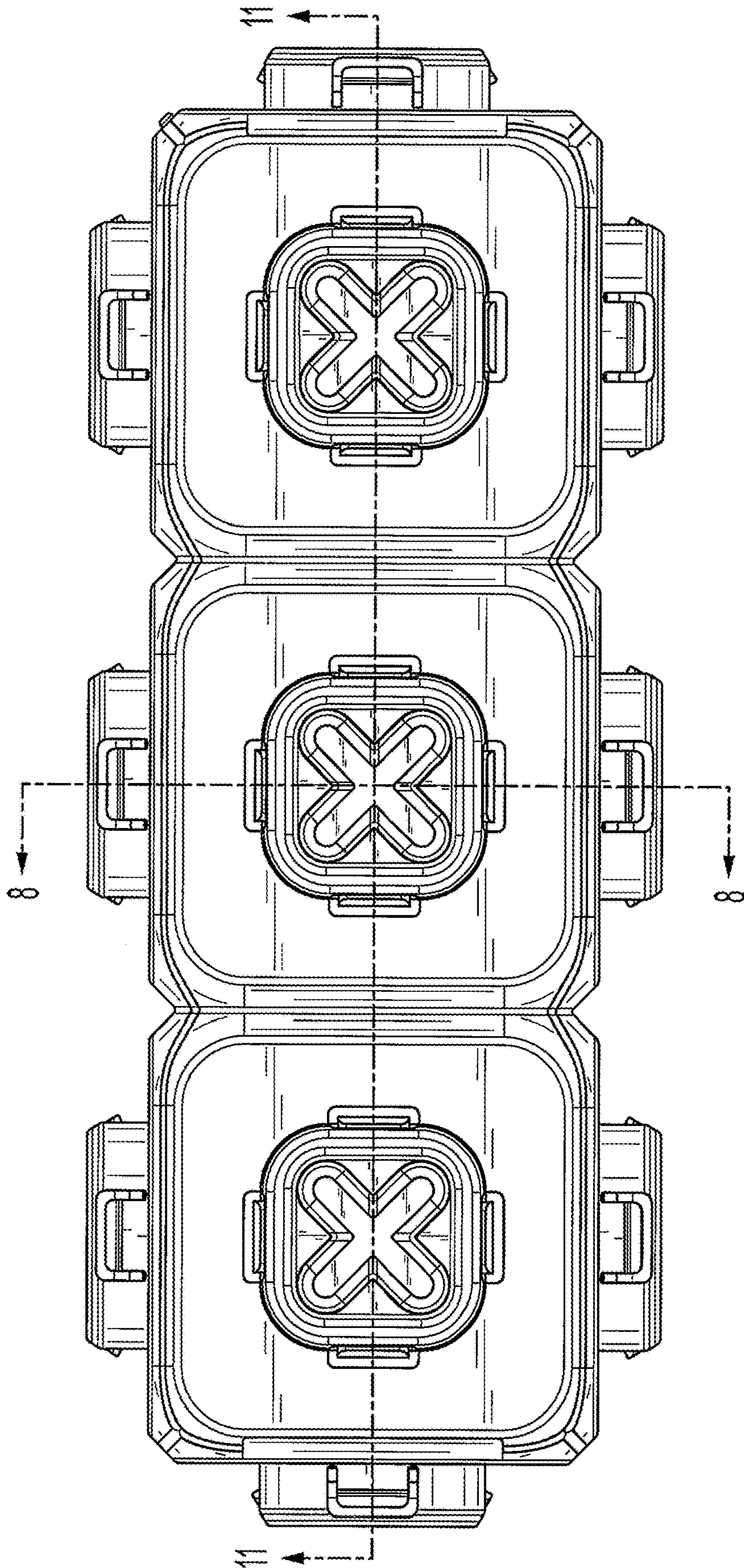


FIG. 2

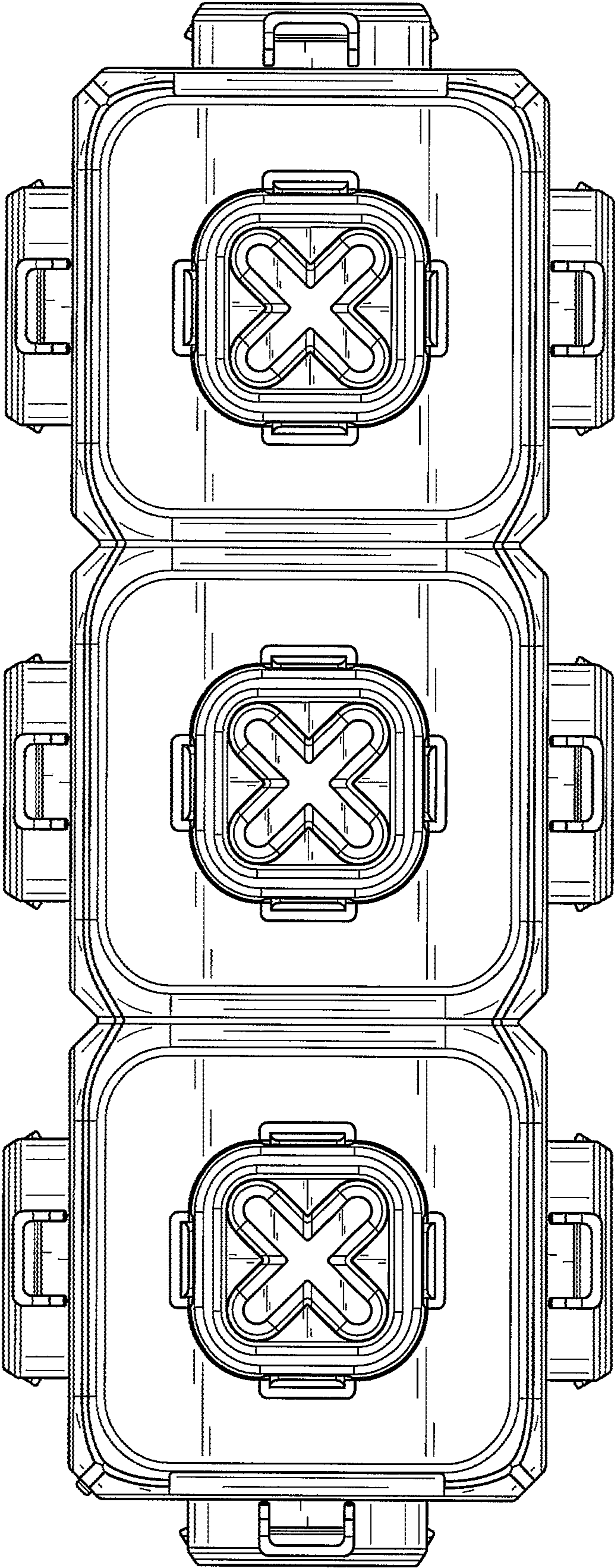


FIG. 3

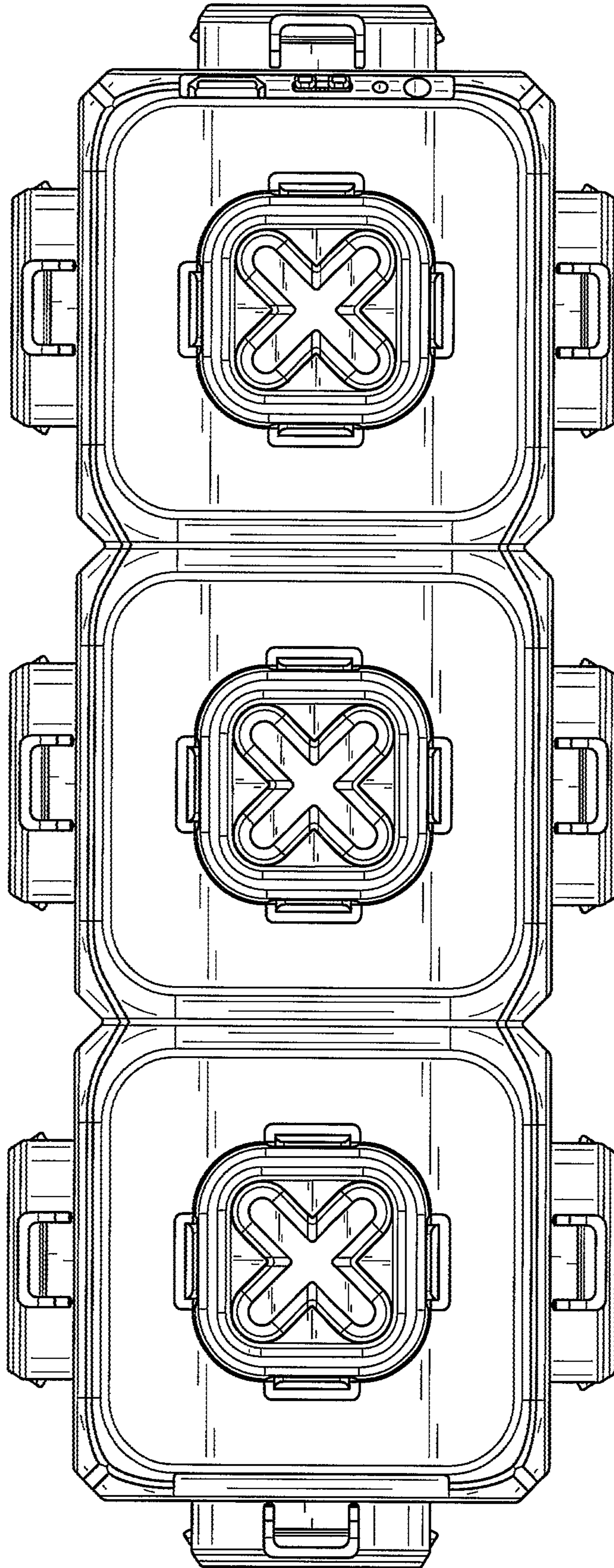


FIG. 4

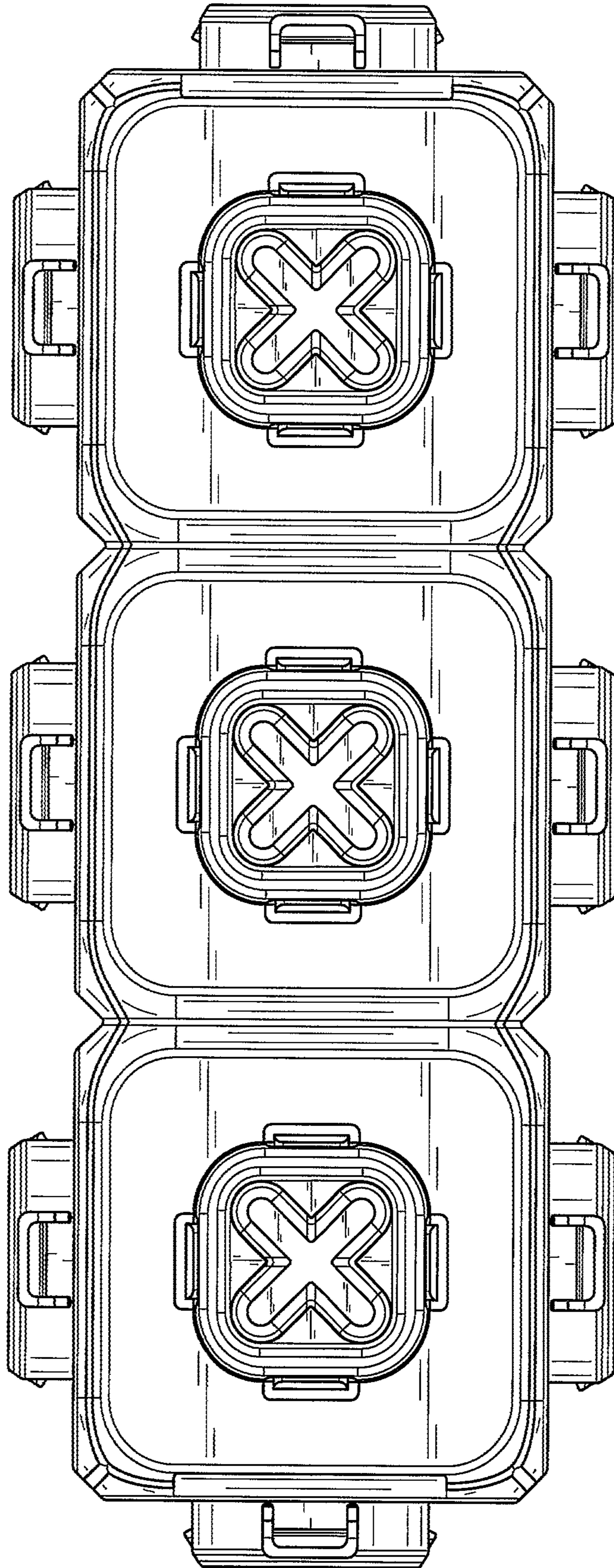


FIG. 5

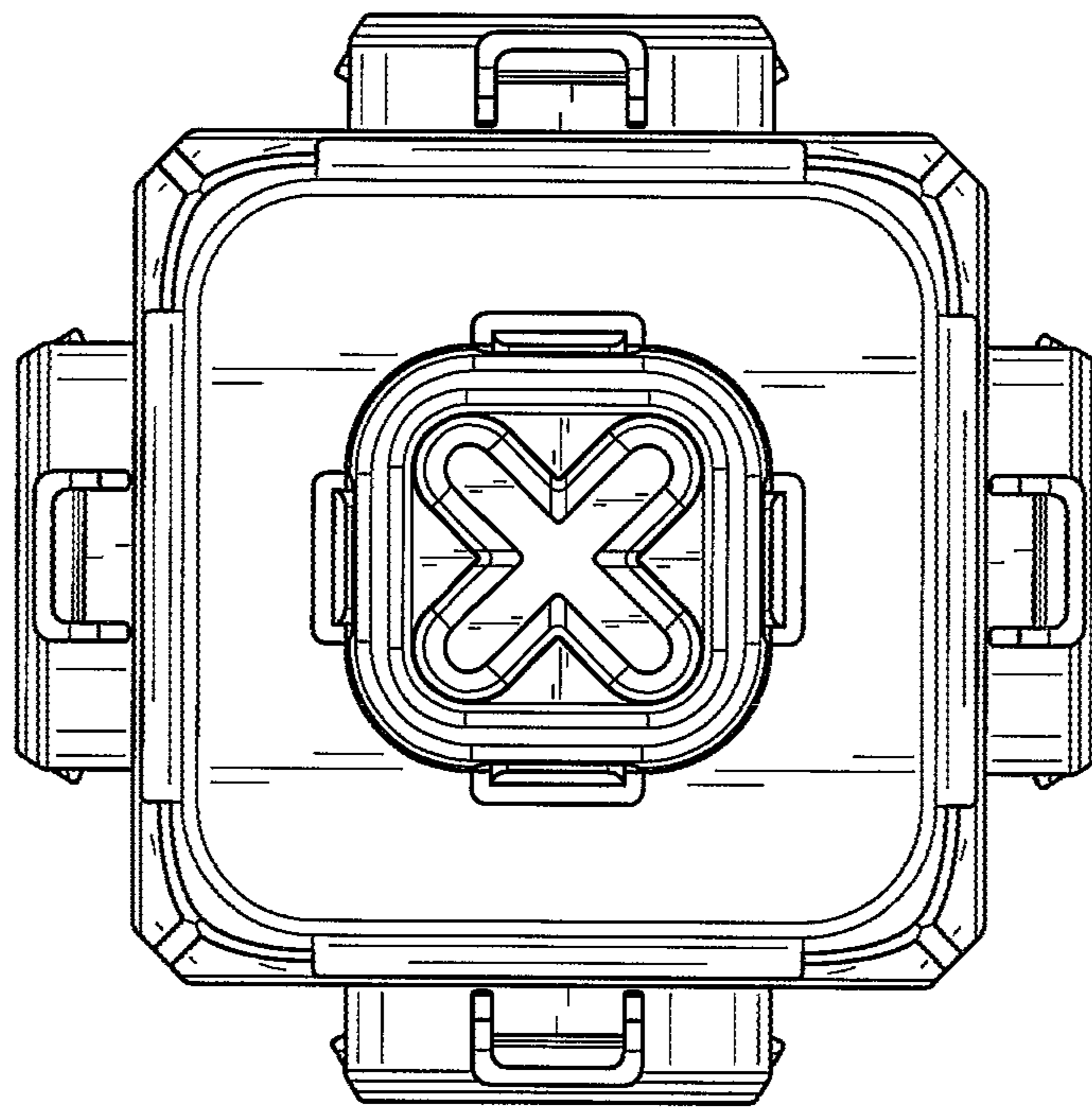


FIG. 6

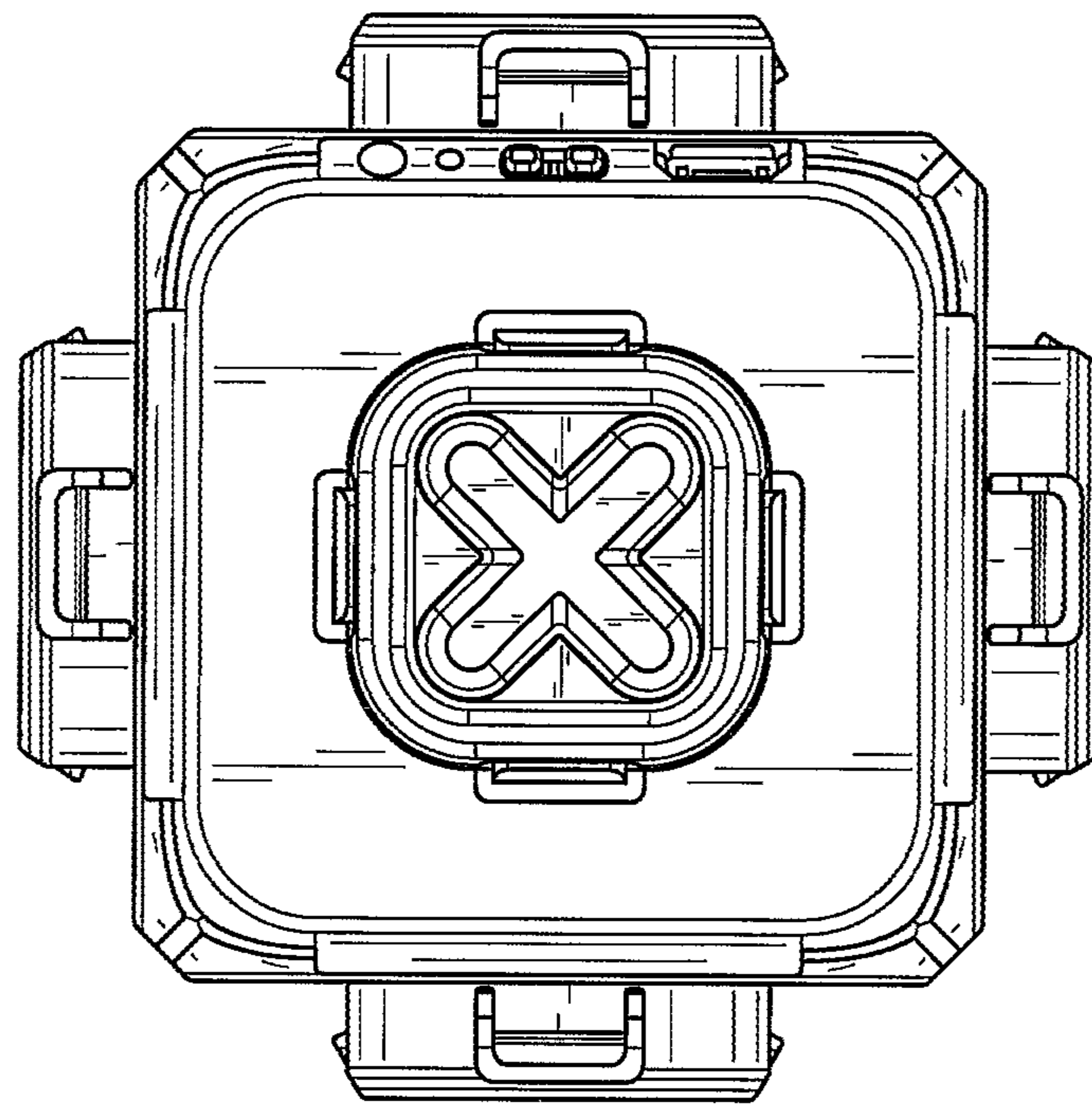


FIG. 7

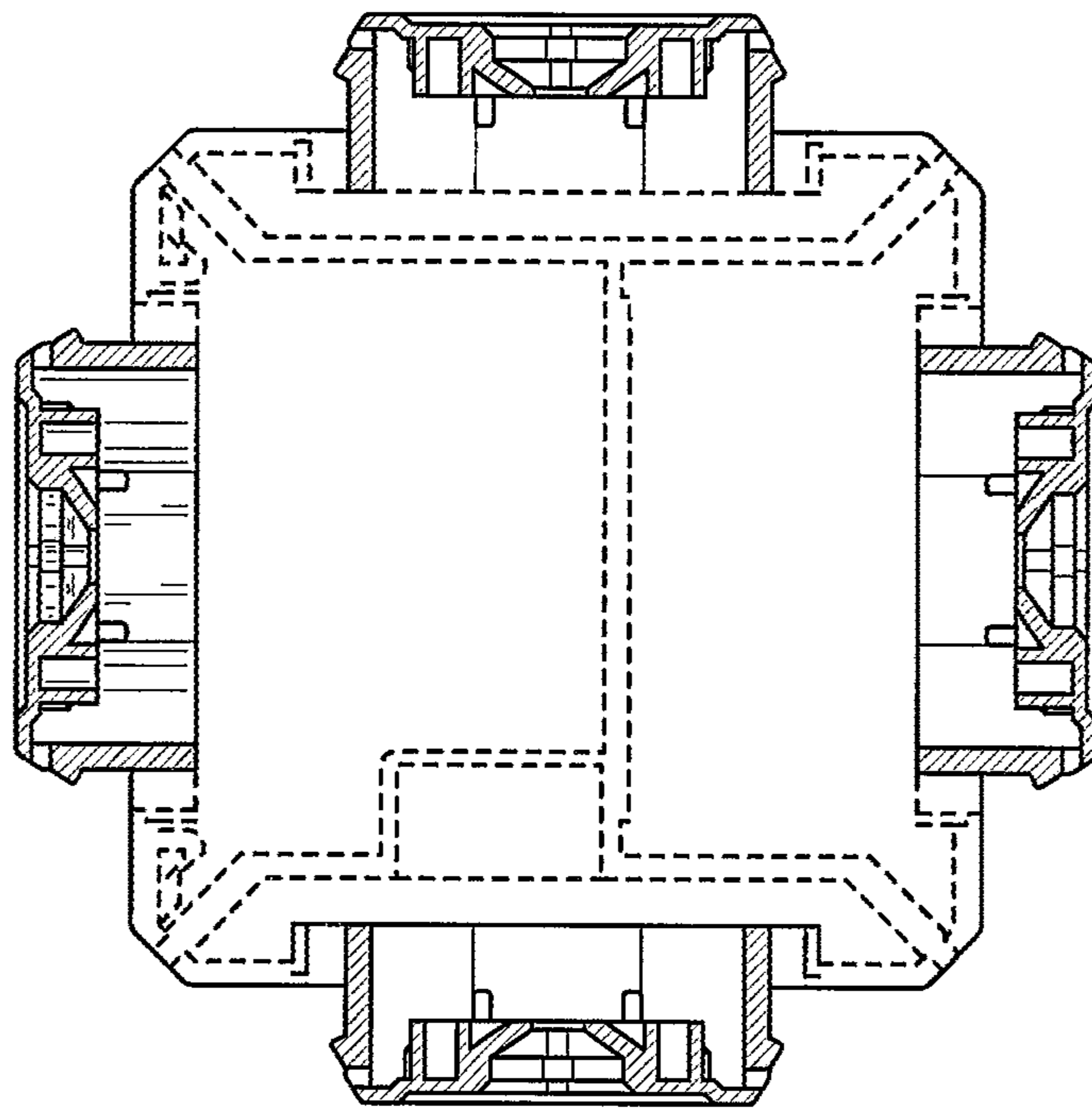


FIG. 8

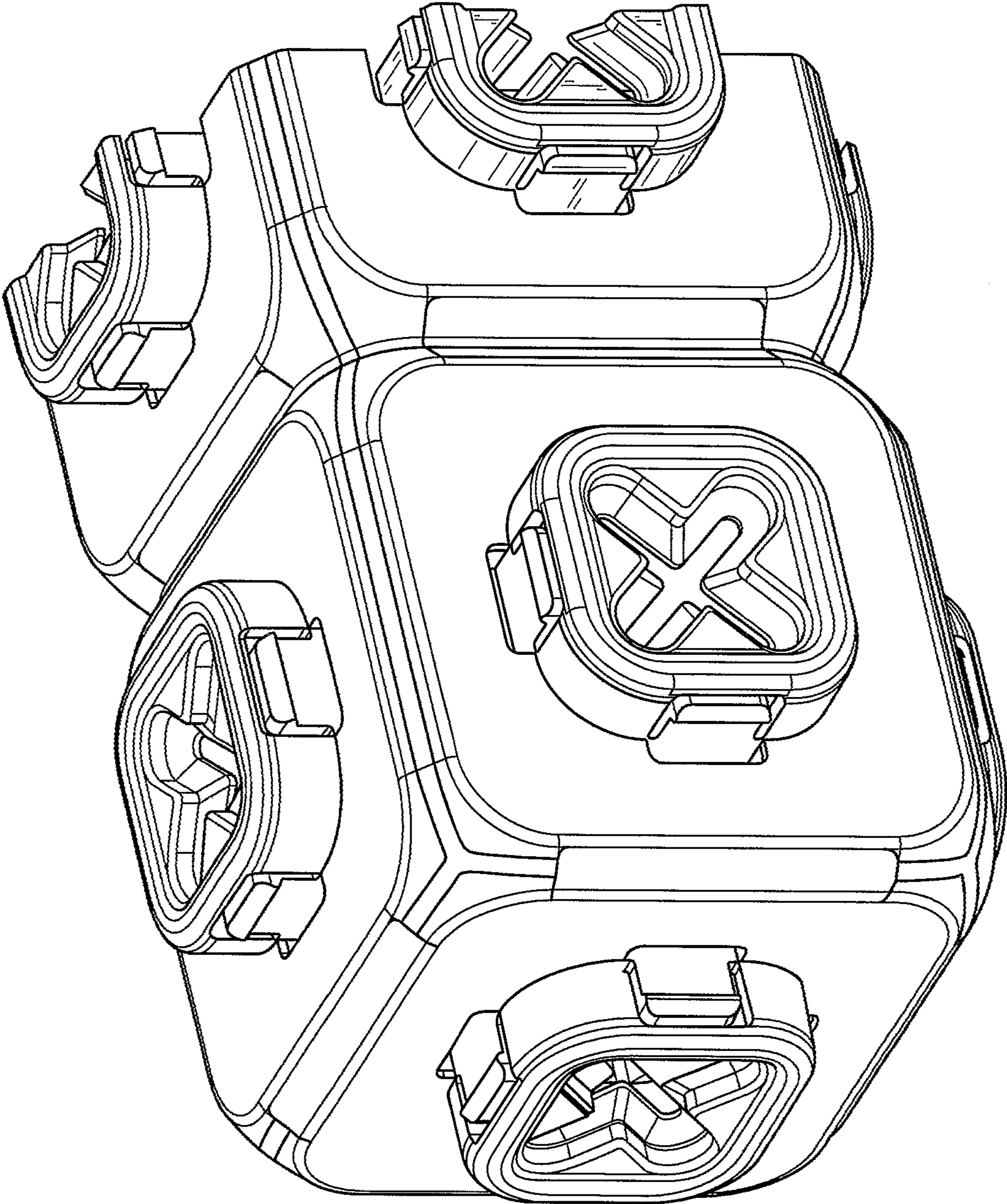


FIG. 9

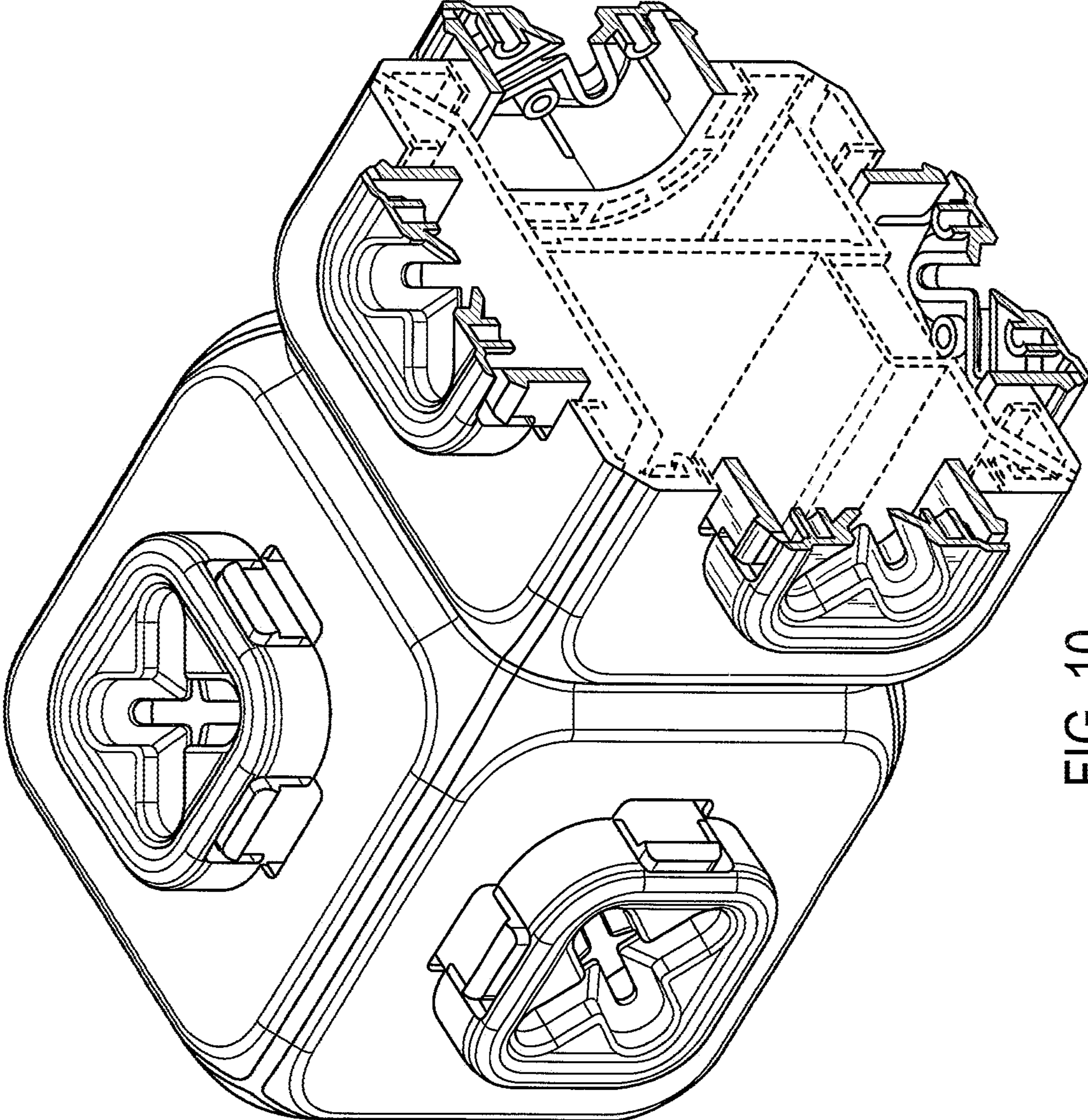


FIG. 10

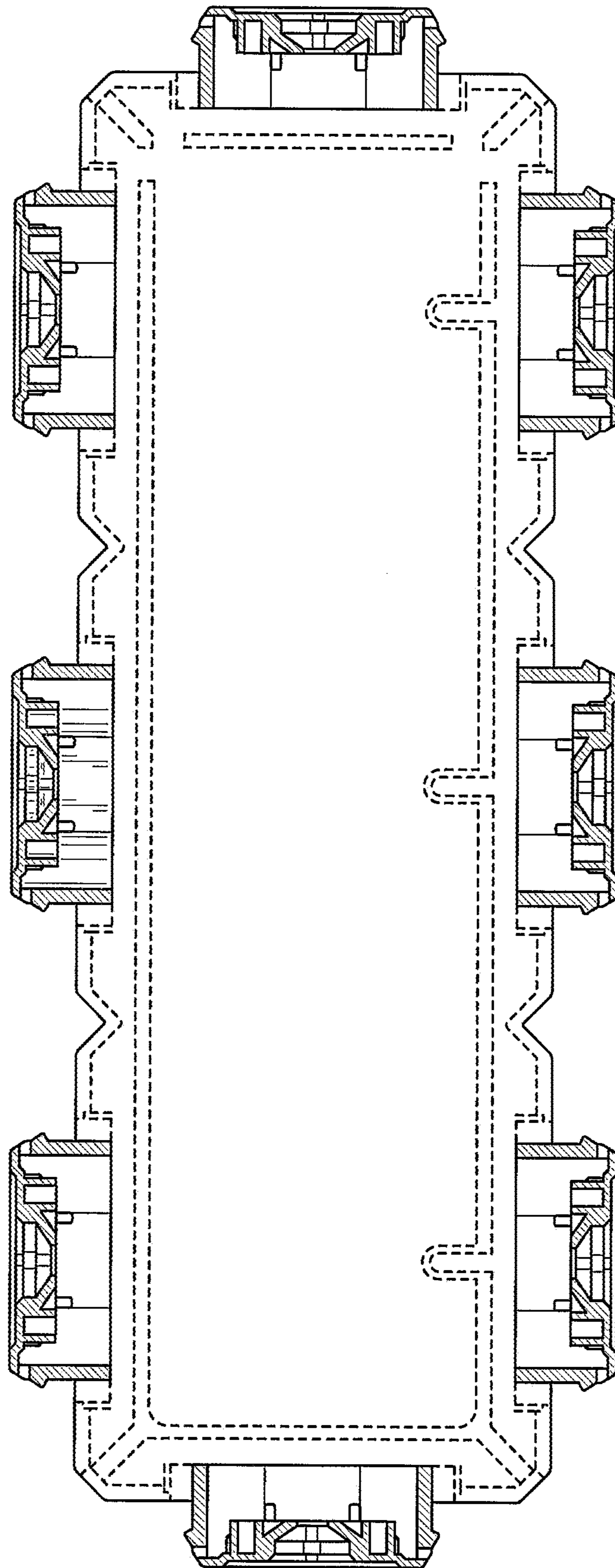


FIG. 11

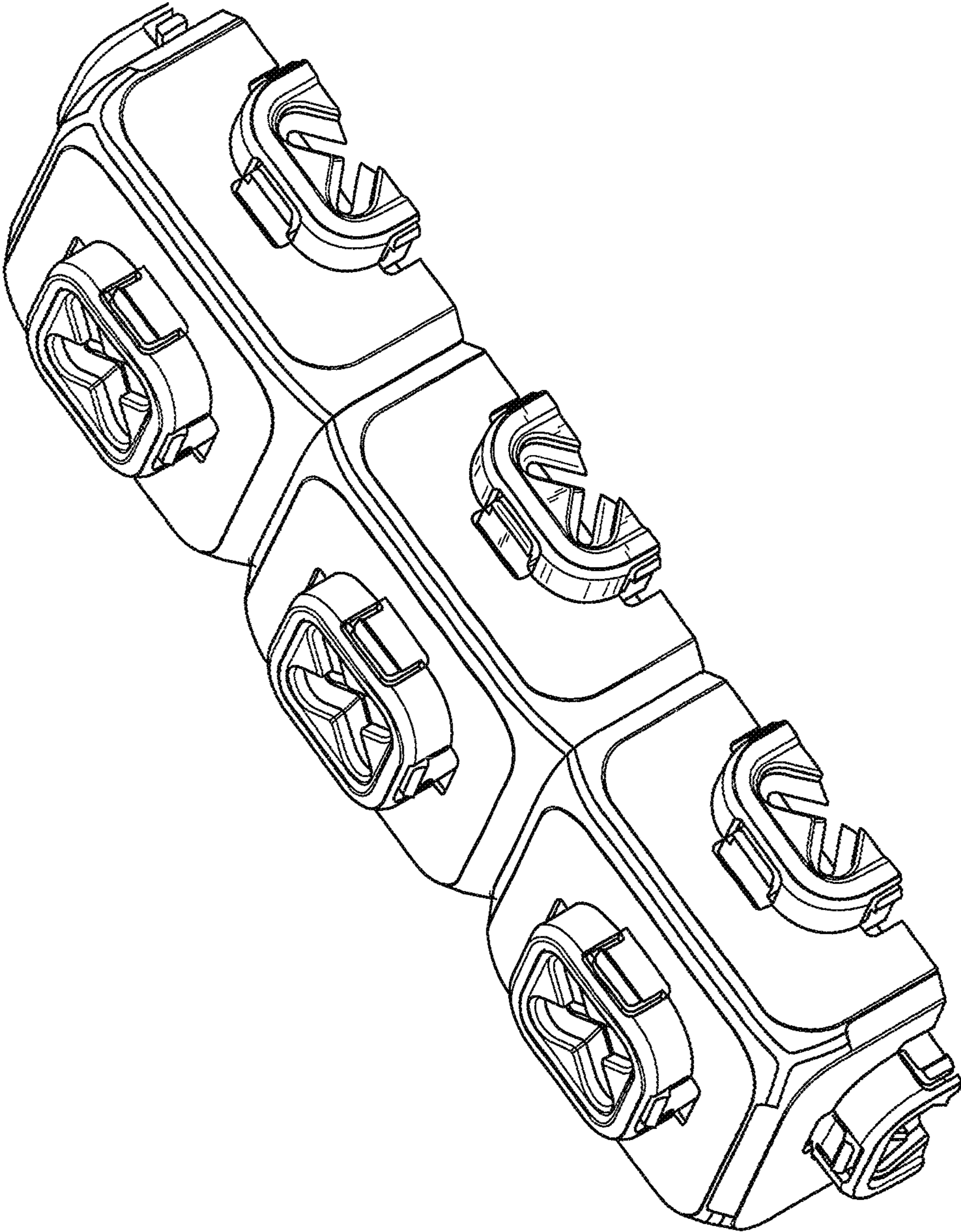


FIG. 12

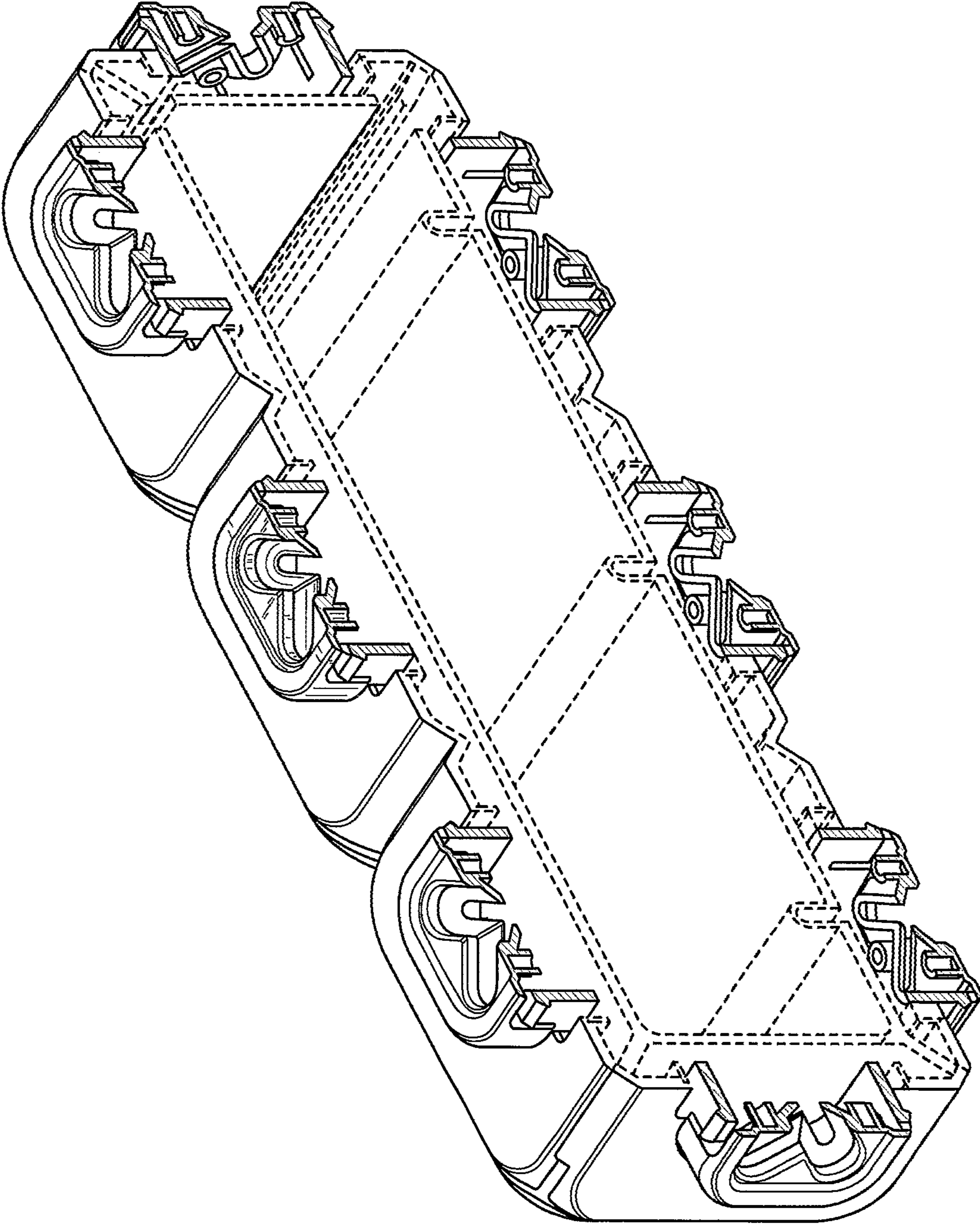


FIG. 13