



US00D914108S

(12) **United States Design Patent**  
**Gaba et al.**

(10) **Patent No.:** **US D914,108 S**  
(45) **Date of Patent:** **\*\* Mar. 23, 2021**

(54) **ROBOTIC TOY**  
(71) Applicant: **Building Blocks Learning Solutions Pvt. Ltd.**, New Delhi (IN)  
(72) Inventors: **Rajeev Gaba**, Ghaziabad (IN); **Tarun Bhalla**, New Delhi (IN); **Ishaan Iyer**, Gurgaon (IN); **Manoj Jakhar**, New Delhi (IN)  
(73) Assignee: **BUILDING BLOCKS LEARNING SOLUTIONS PVT. LTD.**, New Delhi (IN)

8,157,470 B2 \* 4/2012 De Wilde ..... A63H 33/106  
403/348  
8,382,548 B2 \* 2/2013 Maggiore ..... A63H 33/062  
446/120  
D725,716 S \* 3/2015 Kaplan ..... D21/484  
D726,261 S \* 4/2015 Uno ..... D21/499  
D741,414 S \* 10/2015 Lu ..... D21/499  
D754,262 S \* 4/2016 Kaplan ..... D21/491  
9,345,983 B2 \* 5/2016 Meys ..... A63H 33/062  
9,472,112 B2 \* 10/2016 Schweikardt ..... A63H 33/04  
D775,694 S \* 1/2017 Kaplan ..... D21/486  
D792,521 S \* 7/2017 Laris ..... D21/499  
D794,134 S \* 8/2017 Wang ..... D21/499

(Continued)

*Primary Examiner* — Cynthia M. Chin

(74) *Attorney, Agent, or Firm* — Pillsbury Winthrop Shaw Pittman LLP

(\*\*) Term: **15 Years**

(21) Appl. No.: **29/694,958**

(22) Filed: **Jun. 14, 2019**

(30) **Foreign Application Priority Data**

Dec. 14, 2018 (IN) ..... IN313064-001

(51) **LOC (13) Cl.** ..... **21-01**

(52) **U.S. Cl.**  
USPC ..... **D21/499**

(58) **Field of Classification Search**  
USPC ..... D21/478, 479, 484, 485–505, 578–584  
CPC ..... A63H 33/00; A63H 33/04; A63H 33/06;  
A63H 33/08; A63H 33/10; A63H 33/12;  
A63H 33/14; A63F 9/08; A63F 9/12;  
G09B 1/36

See application file for complete search history.

(56) **References Cited**

**U.S. PATENT DOCUMENTS**

D403,028 S \* 12/1998 Barton, Jr. .... D21/486  
6,679,780 B1 \* 1/2004 Shih ..... A63F 9/1204  
273/156  
7,322,873 B2 \* 1/2008 Rosen ..... A63H 33/042  
446/124

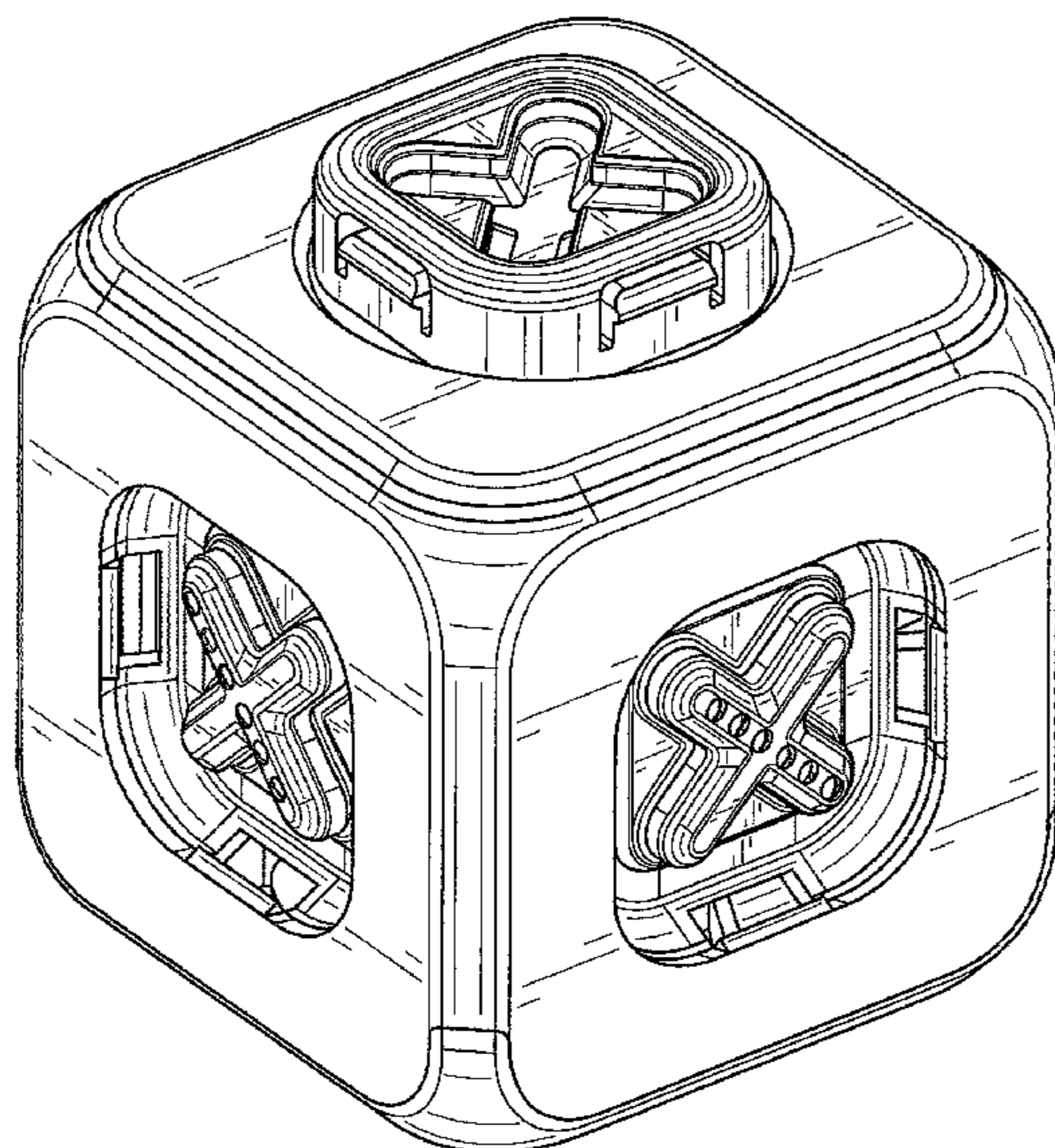
(57) **CLAIM**

The ornamental design for a robotic toy, as shown and described.

**DESCRIPTION**

FIG. 1 is a perspective view of a robotic toy embodying an aspect of the design;  
FIG. 2 is a front view of the toy of FIG. 1;  
FIG. 3 is a back view of the toy of FIG. 1;  
FIG. 4 is a top view of the toy of FIG. 1;  
FIG. 5 is a bottom view of the toy of FIG. 1;  
FIG. 6 is a left view of the toy of FIG. 1;  
FIG. 7 is a right view of the toy of FIG. 1;  
FIG. 8 is a cross-sectional view taken along line 8-8 in FIG. 2;  
FIG. 9 is a right side, perspective view of the cross-section; and,  
FIG. 10 is a bottom perspective view of the cross-section.  
In the drawings, the broken lines depicting portions of the toy form no part of the claimed design; all other broken lines depict unclaimed environmental subject matter and form no part of the claimed design.

**1 Claim, 10 Drawing Sheets**



(56)

**References Cited**

U.S. PATENT DOCUMENTS

D795,359	S *	8/2017	Ahn .....	D21/499
D841,742	S *	2/2019	Semling .....	D21/499
D852,896	S *	7/2019	Semling .....	D21/499
D892,230	S *	8/2020	Wu .....	D21/499
D892,231	S *	8/2020	Jung .....	D21/499
2011/0039474	A1 *	2/2011	Bruder .....	A63H 33/101 446/124
2013/0115849	A1 *	5/2013	Yap .....	A63H 9/00 446/128
2020/0206646	A1 *	7/2020	Zeng .....	A63H 33/08
2020/0215450	A1 *	7/2020	Saltan .....	A63H 33/062
2020/0222821	A1 *	7/2020	Lange .....	A63H 33/088

\* cited by examiner

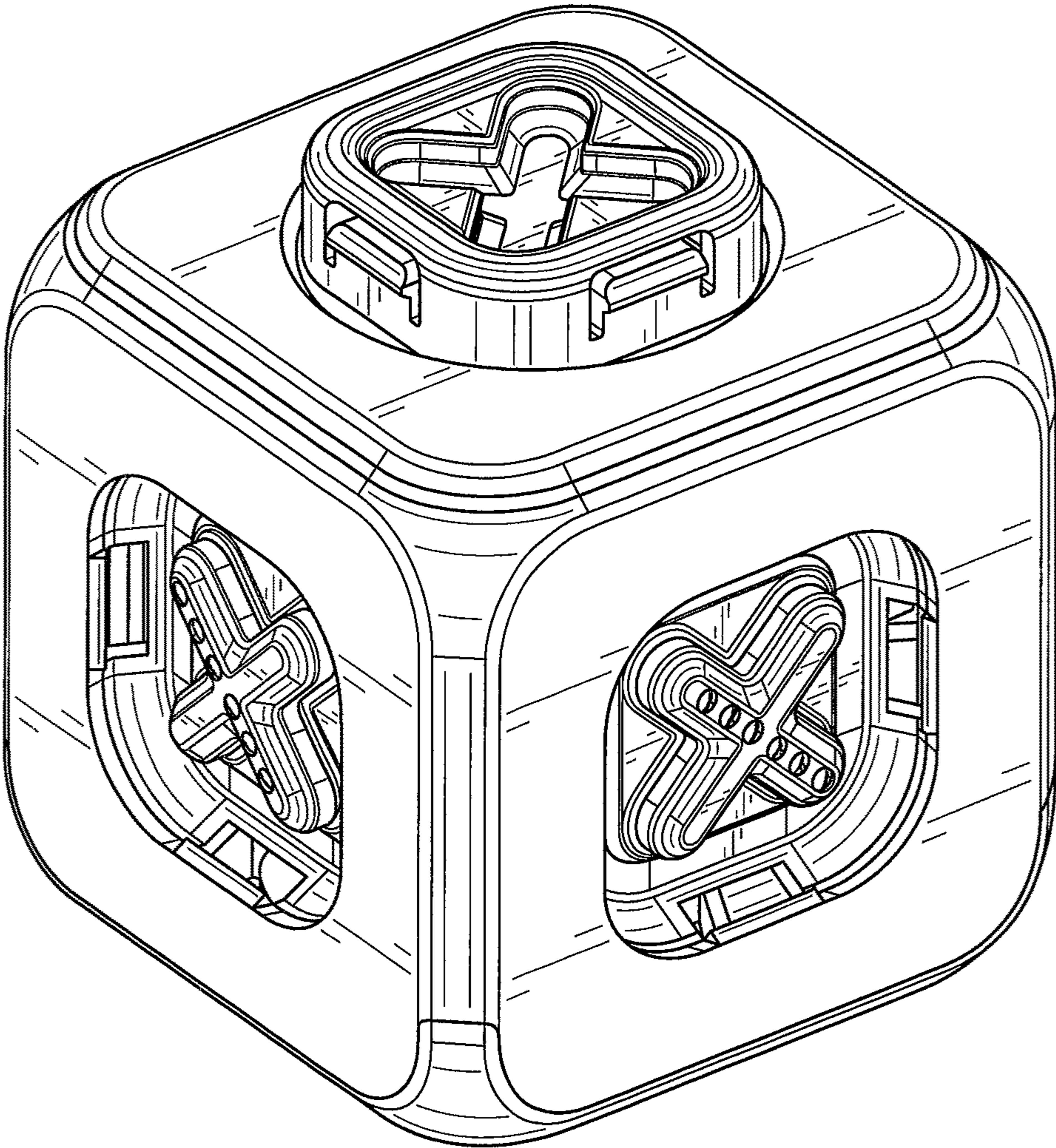


FIG. 1



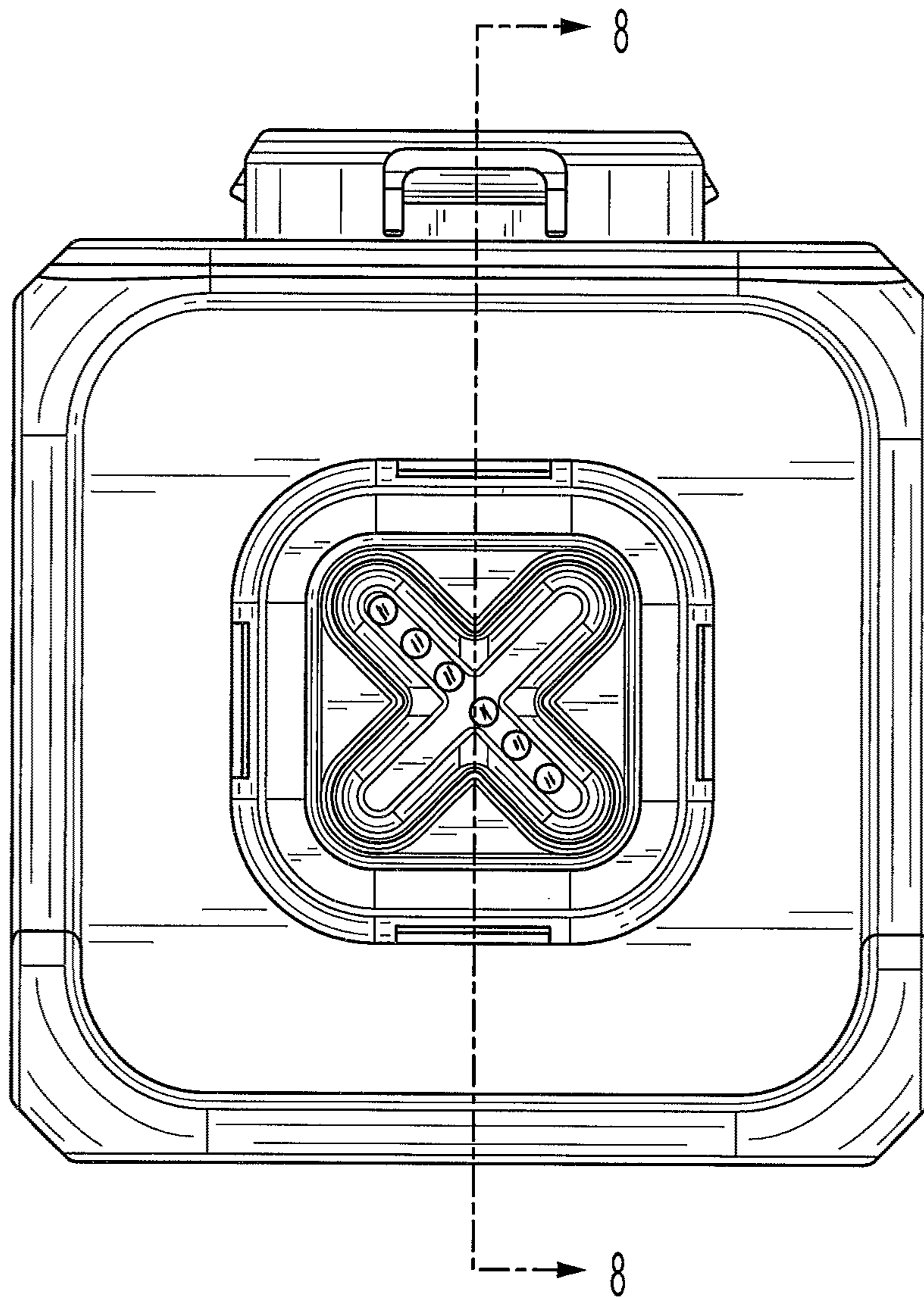


FIG. 2

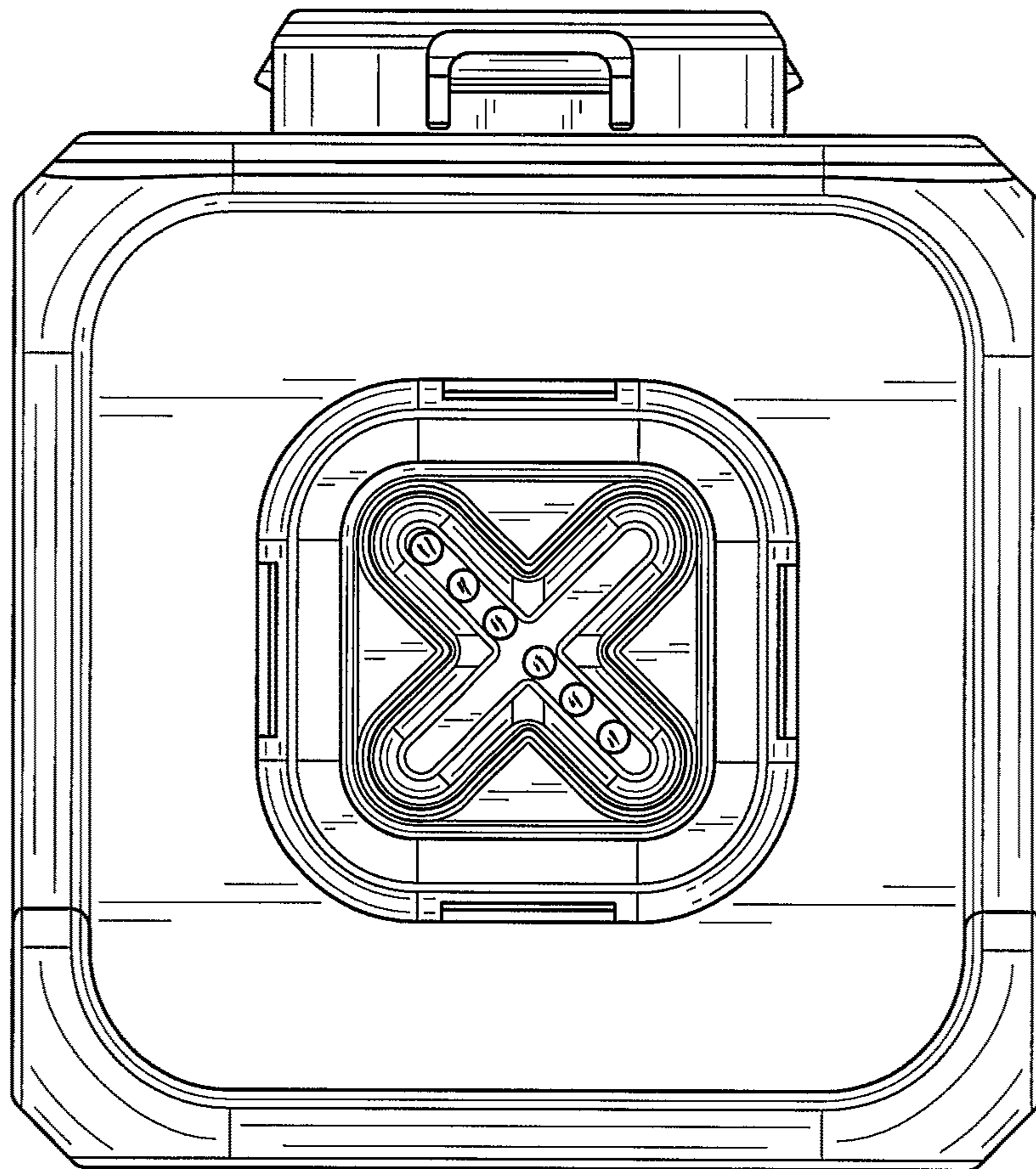


FIG. 3

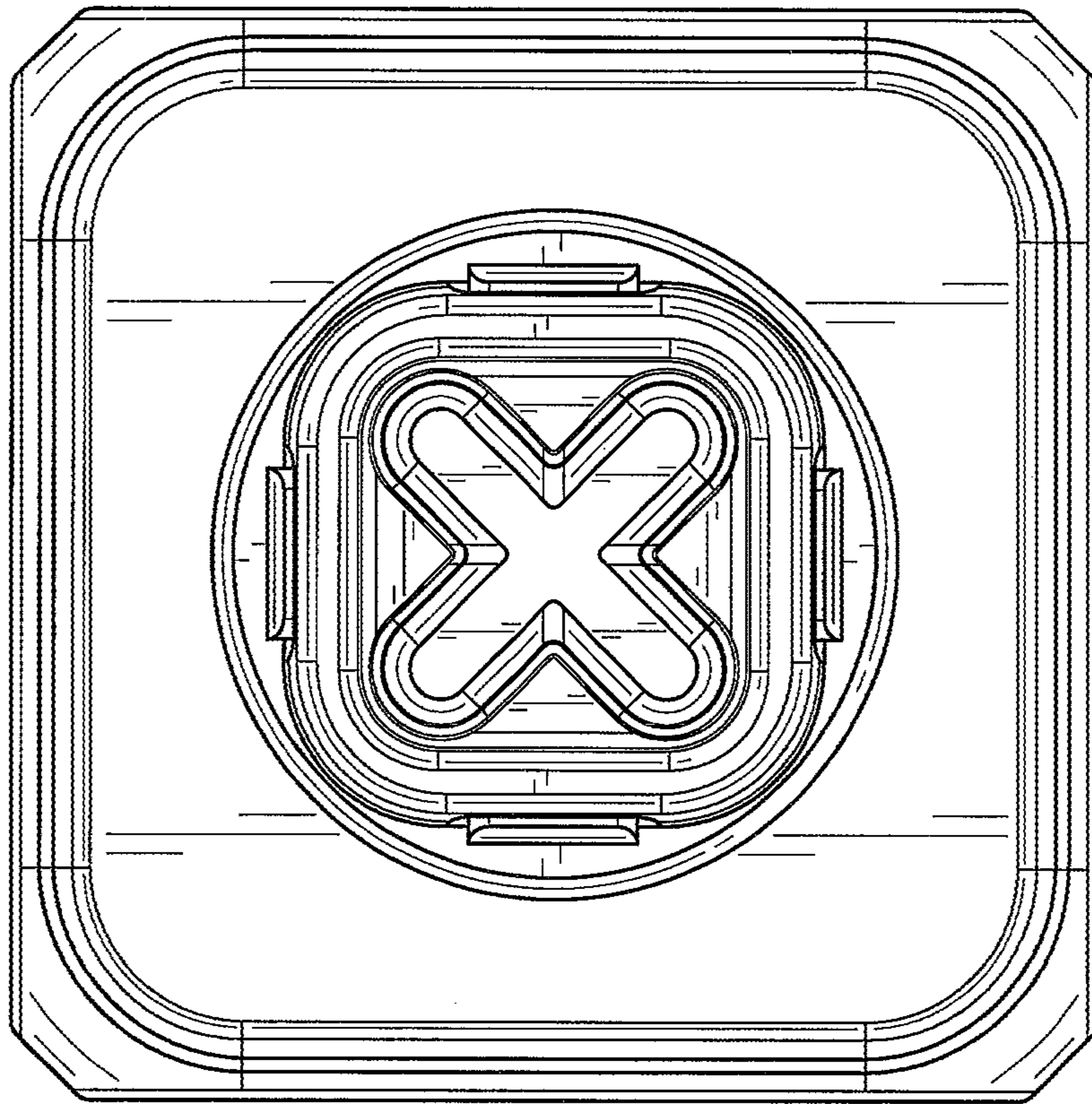


FIG. 4

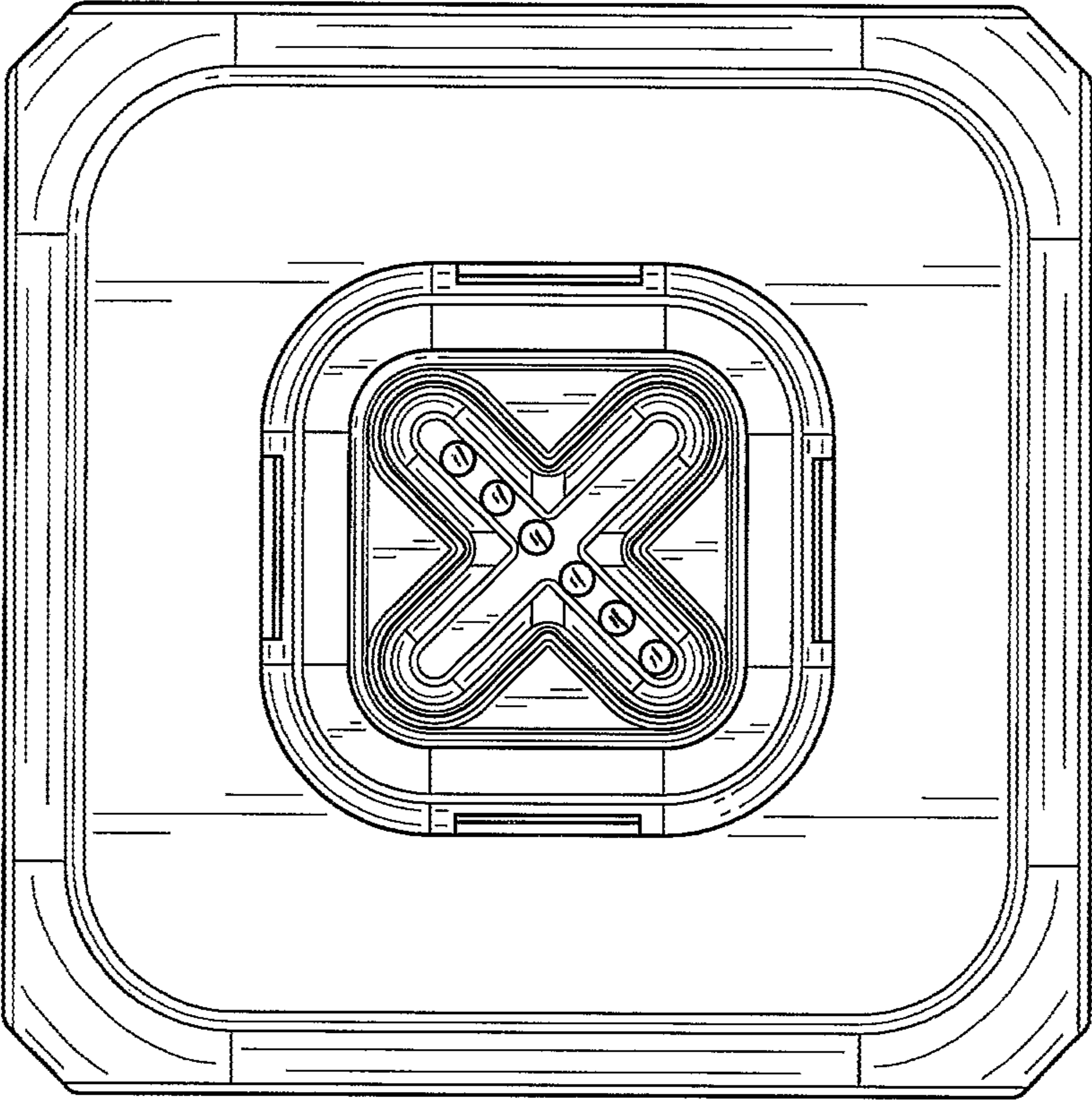


FIG. 5



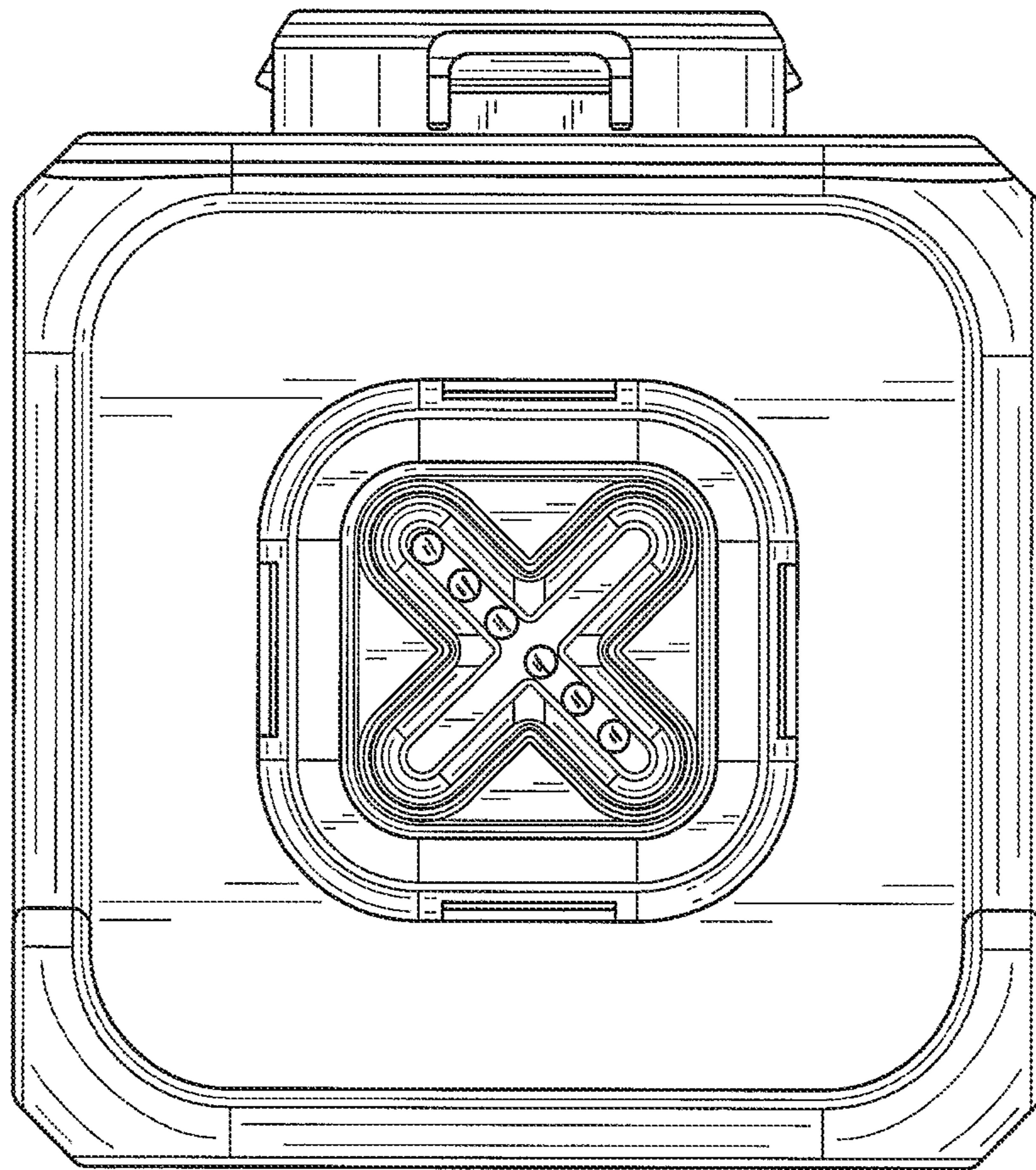


FIG. 6



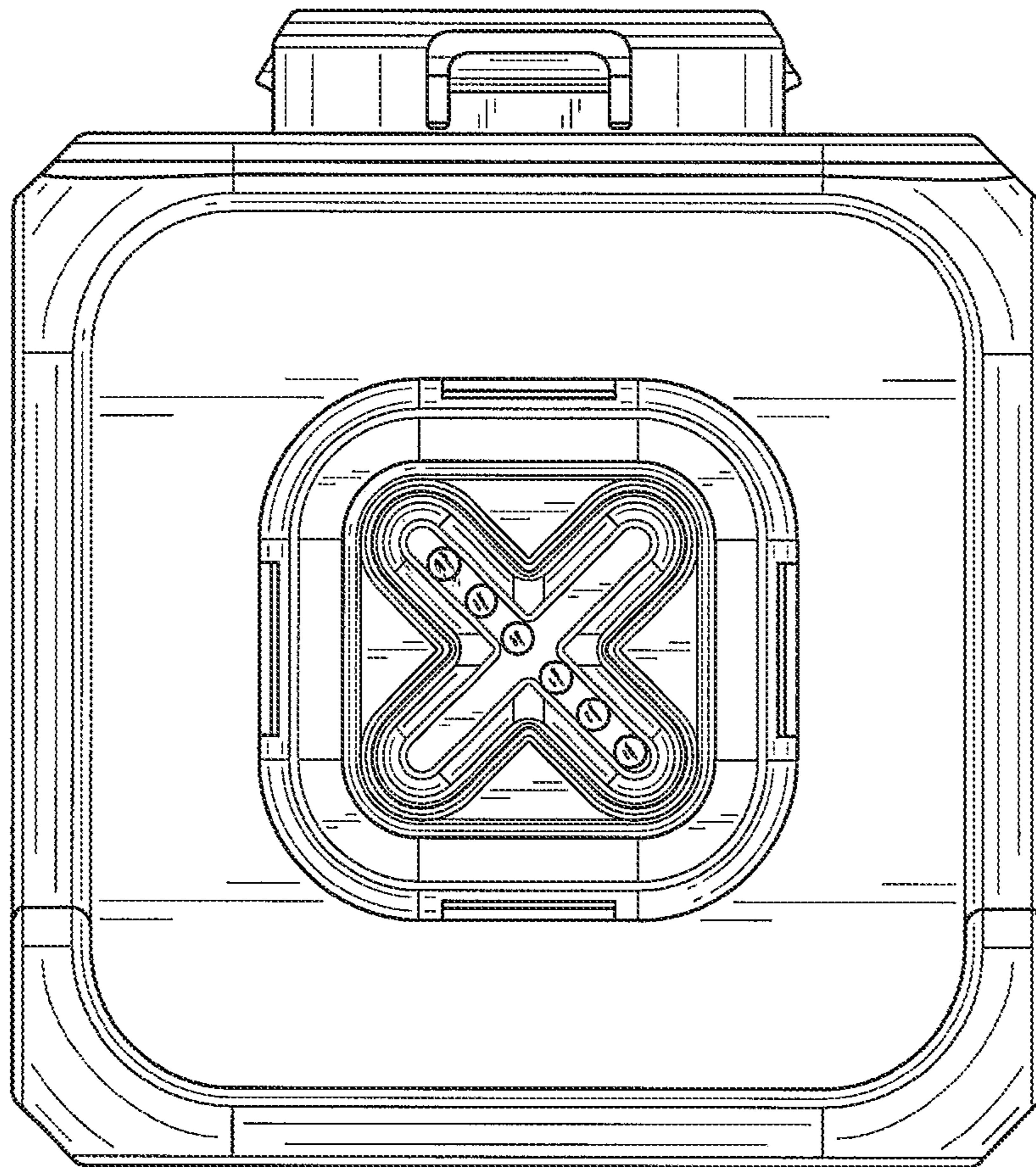


FIG. 7

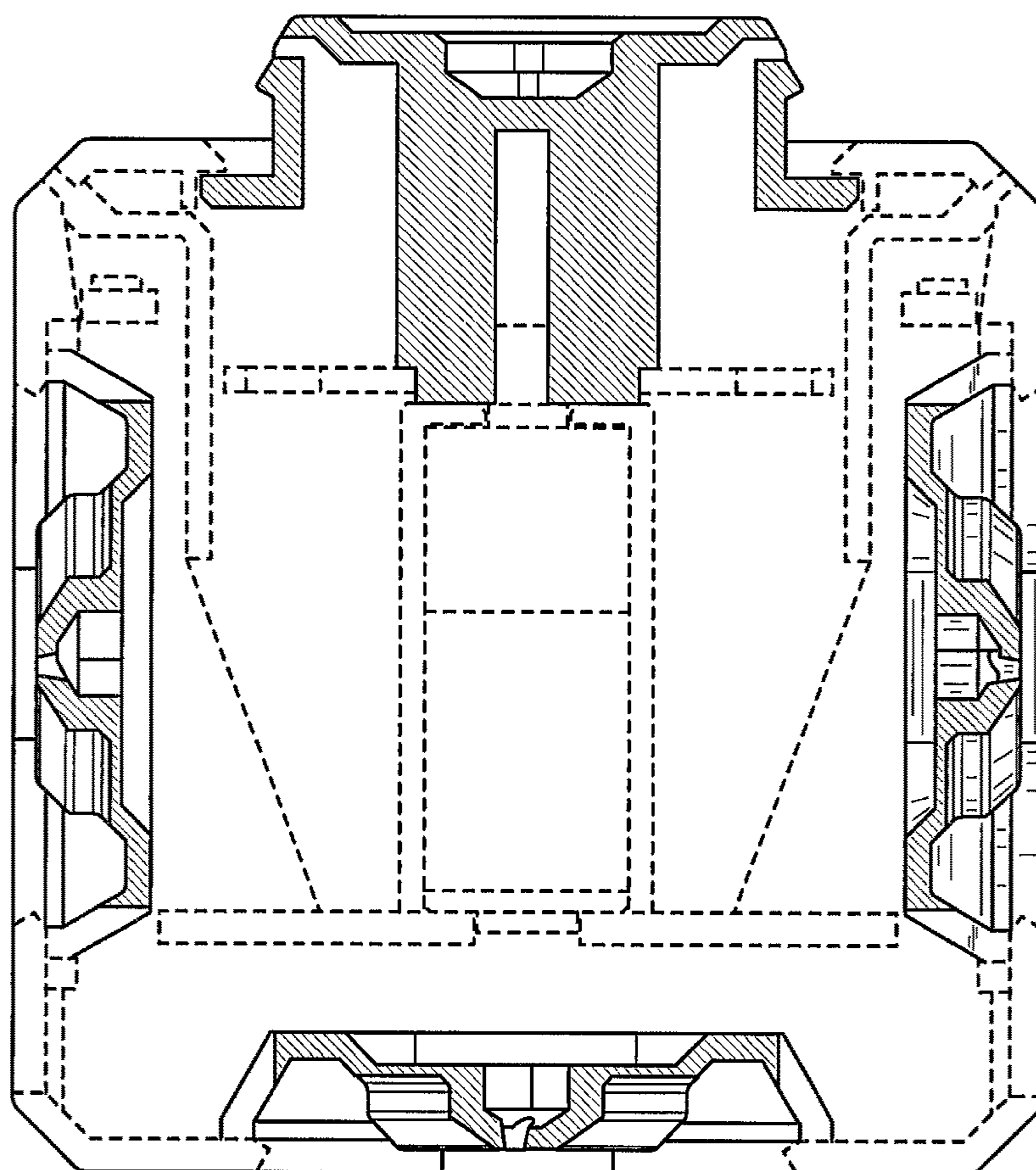


FIG. 8

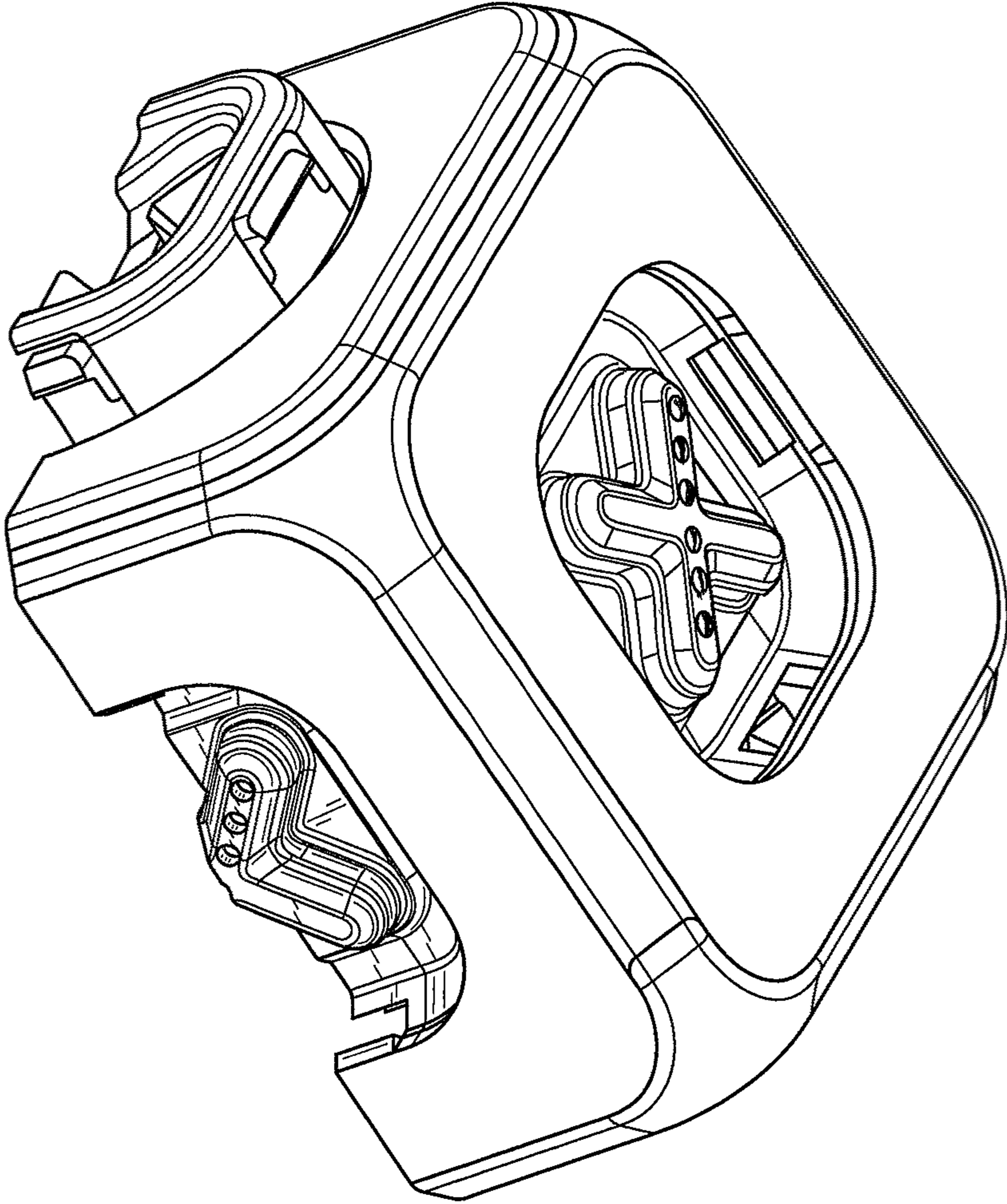


FIG. 9



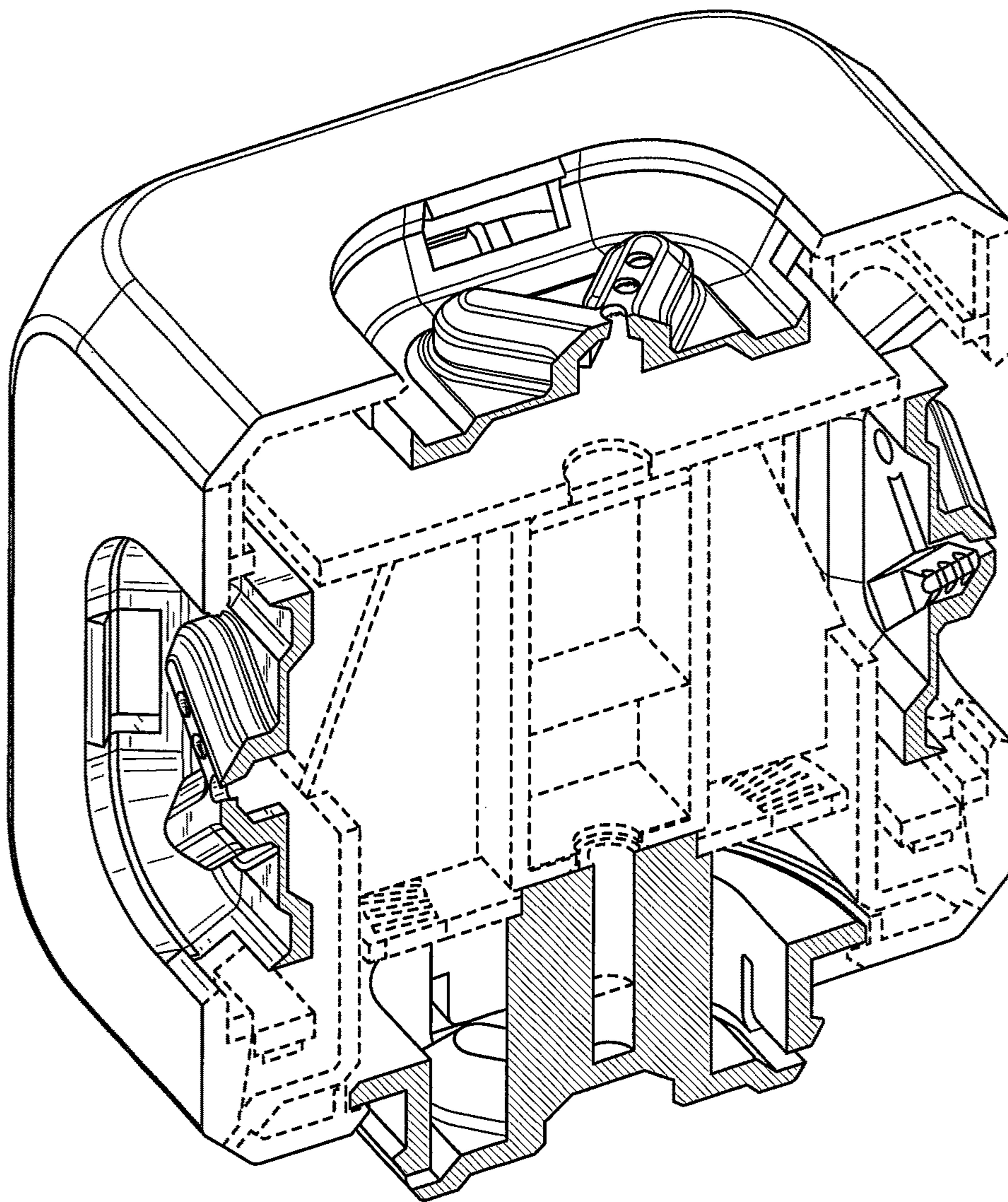


FIG. 10