



US00D914106S

(12) **United States Design Patent**
Murphy et al.

(10) **Patent No.:** **US D914,106 S**
(45) **Date of Patent:** **** Mar. 23, 2021**

(54) **COMBINED HANDLEBAR AND FORK ASSEMBLY FOR A SCOOTER**

FOREIGN PATENT DOCUMENTS

(71) Applicant: **Enova Design Pty Ltd**, Croydon Hills (AU)

AU 2006301906 4/2007
KR 20-0353871 6/2004

(Continued)

(72) Inventors: **James Murphy**, Croydon Hills (AU);
Marc Alexander, Croydon Hills (AU)

OTHER PUBLICATIONS

(73) Assignee: **Enova Design Pty Ltd**, Croydon Hills (AU)

International Search Report for International Application No. PCT/AU2020/050229 dated Apr. 16, 2020 (6 pages).

(**) Term: **15 Years**

Primary Examiner — Cynthia M. Chin

(21) Appl. No.: **29/705,480**

(74) *Attorney, Agent, or Firm* — Nixon Peabody LLP

(22) Filed: **Sep. 12, 2019**

(57) **CLAIM**

(30) **Foreign Application Priority Data**

The ornamental design for a “combined handlebar and fork assembly for a scooter”, as shown and described.

Mar. 12, 2019 (AU) 201911323

DESCRIPTION

(51) **LOC (13) Cl.** **21-01**

(52) **U.S. Cl.**
USPC **D21/423**

(58) **Field of Classification Search**
USPC D21/419, 421, 423, 432, 760, 763, 765,
D21/771; D12/1, 110

CPC B62K 3/002; B62K 9/00; B62K 2202/00;
B62K 15/00; B62K 2015/001; B62K
2015/003; B60Y 2200/126

See application file for complete search history.

FIG. 1 is a front view of a handlebar and fork assembly for a scooter.

FIG. 2 is a left side view of the handlebar and fork assembly. FIG. 3 is a right side view of the handlebar and fork assembly.

FIG. 4 is a bottom view of the handlebar and fork assembly. FIG. 5 is a top view of the handlebar and fork assembly.

FIG. 6 is a left upper front three-quarter view of the handlebar and fork assembly.

FIG. 7 is a left upper rear three-quarter view of the handlebar and fork assembly; and,

FIG. 8 is a left upper front three-quarter view of the handlebar and fork assembly forming a part of a scooter shown in broken lines.

The broken lines in FIG. 8 represent the environment in which the article resides, which includes a front light assembly and a base assembly of the scooter, and form no part of the claimed design.

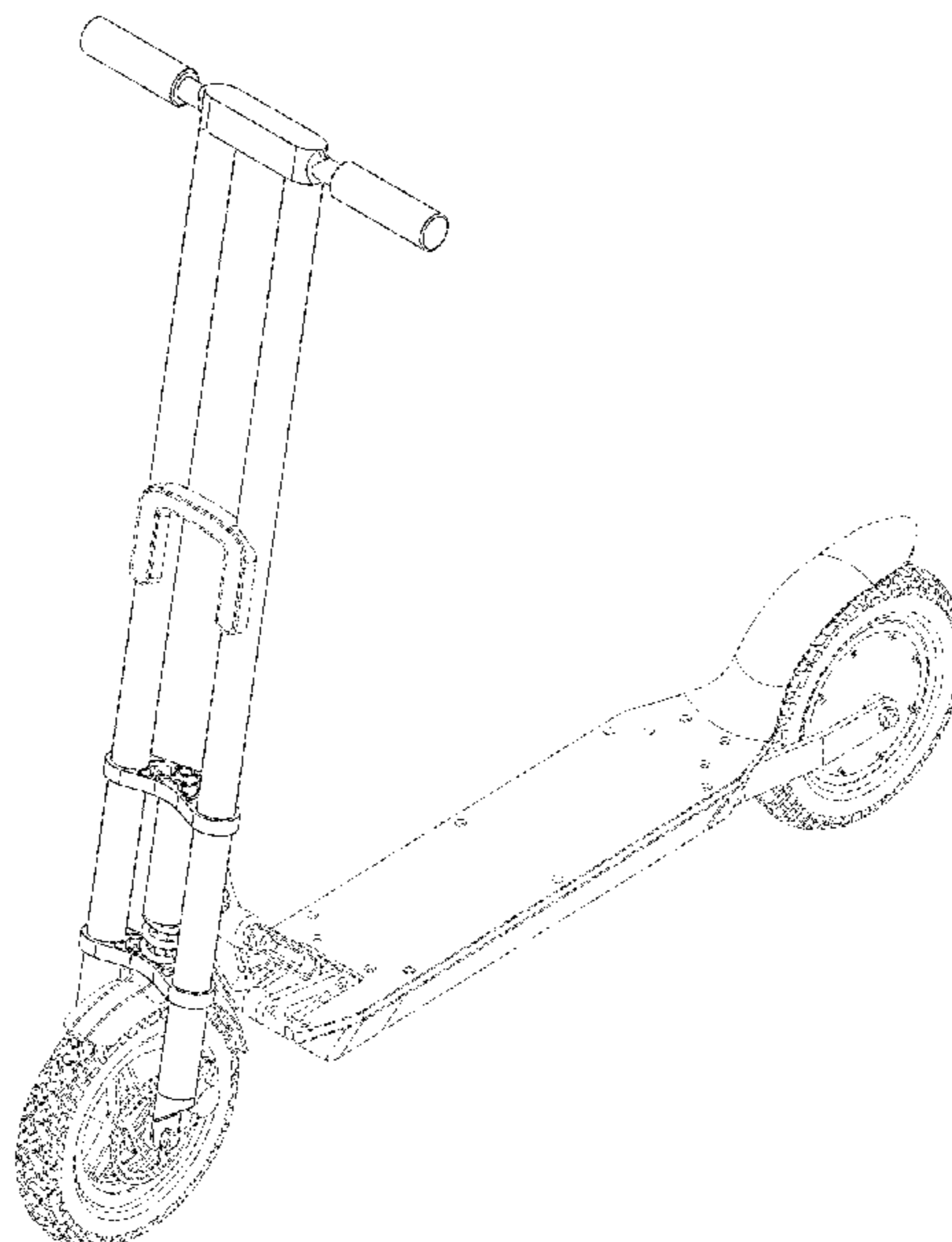
(56) **References Cited**

U.S. PATENT DOCUMENTS

D176,725 S * 1/1956 Laibow D21/423
D221,965 S * 9/1971 LaJeunesse D21/423
D256,035 S * 7/1980 Lockhart D21/423
D276,828 S * 12/1984 Sampson D21/423
D477,798 S * 7/2003 Bean D12/178
D481,422 S * 10/2003 Chen D21/423

(Continued)

1 Claim, 8 Drawing Sheets



(56)

References Cited

U.S. PATENT DOCUMENTS

6,926,296 B1 * 8/2005 Harrington B62K 13/06
280/209
8,181,975 B2 * 5/2012 Parhar B62K 3/002
280/87.041
D725,455 S * 3/2015 Carlini D8/303
D835,206 S * 12/2018 Lin D21/423
D860,917 S * 9/2019 Tan D21/423
2016/0031525 A1 2/2016 Craven
2016/0096576 A1 * 4/2016 Gotfrid B62K 15/006
280/641
2016/0355231 A1 * 12/2016 Barenbrug B62K 15/00

FOREIGN PATENT DOCUMENTS

KR 10-1211413 12/2012
WO WO 2014/078967 5/2014

* cited by examiner

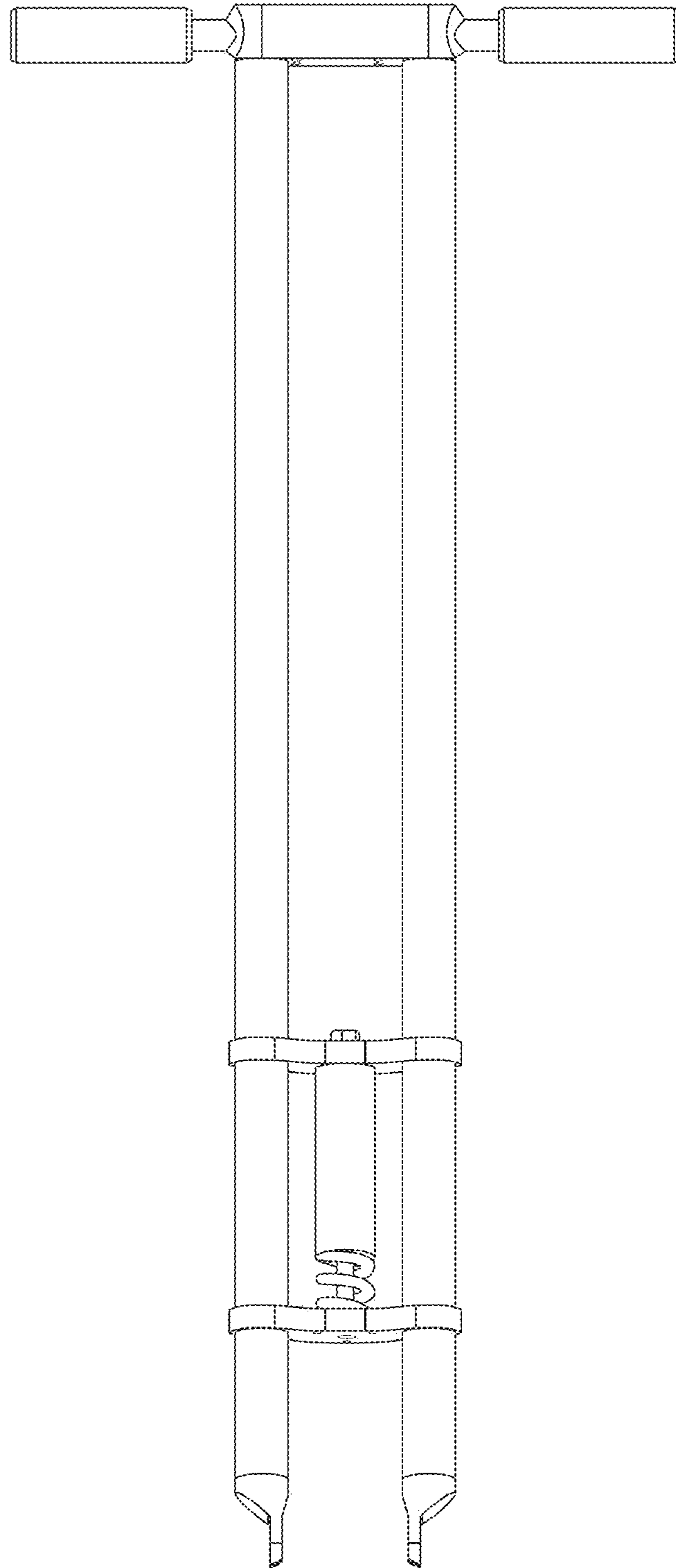


FIG. 1

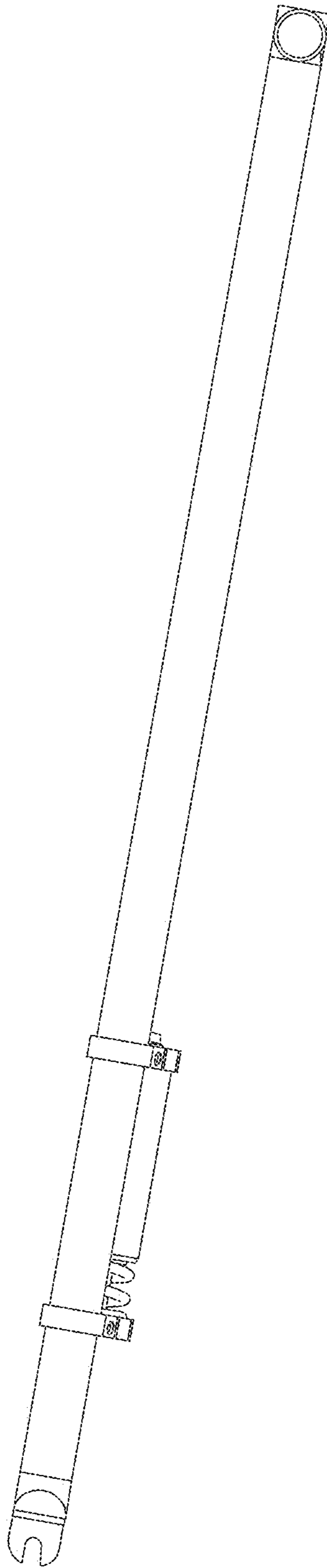


FIG. 2

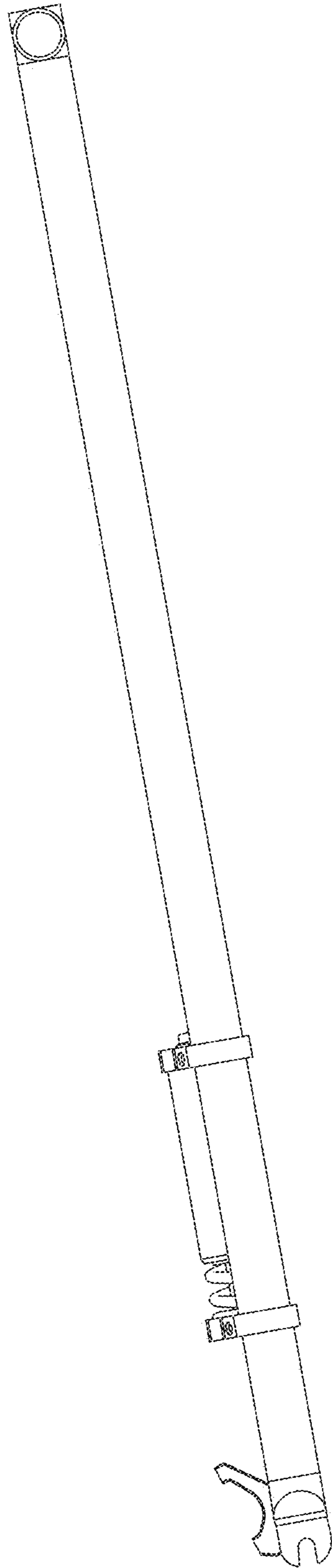


FIG. 3

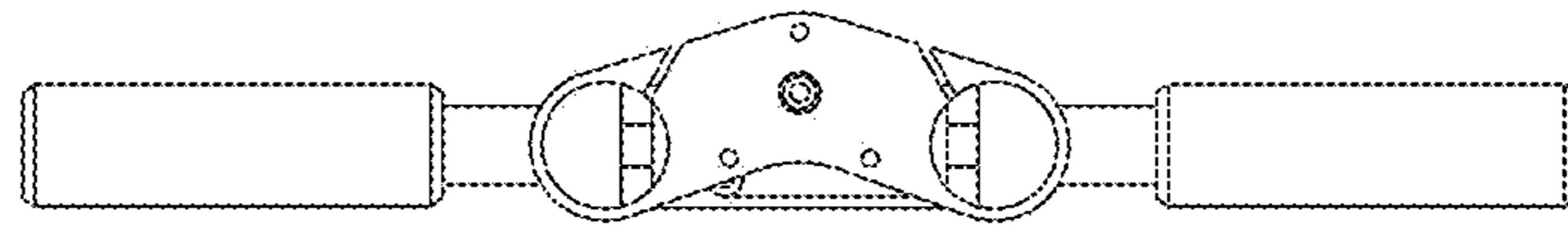


FIG. 4



FIG. 5

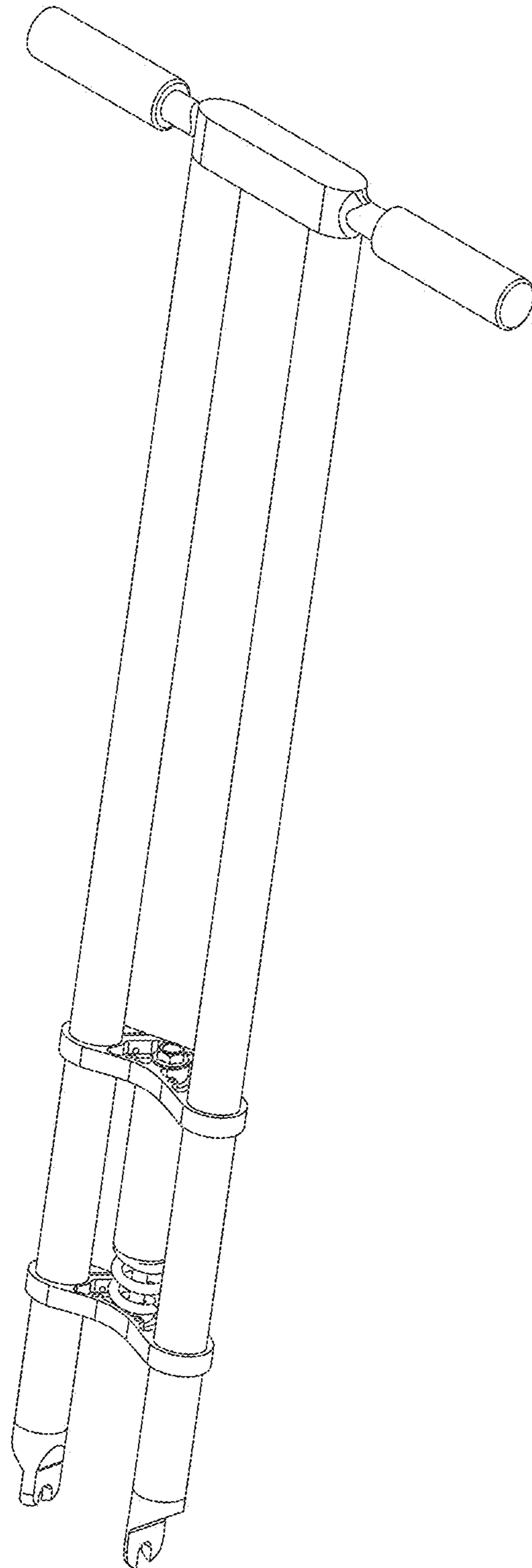


FIG. 6

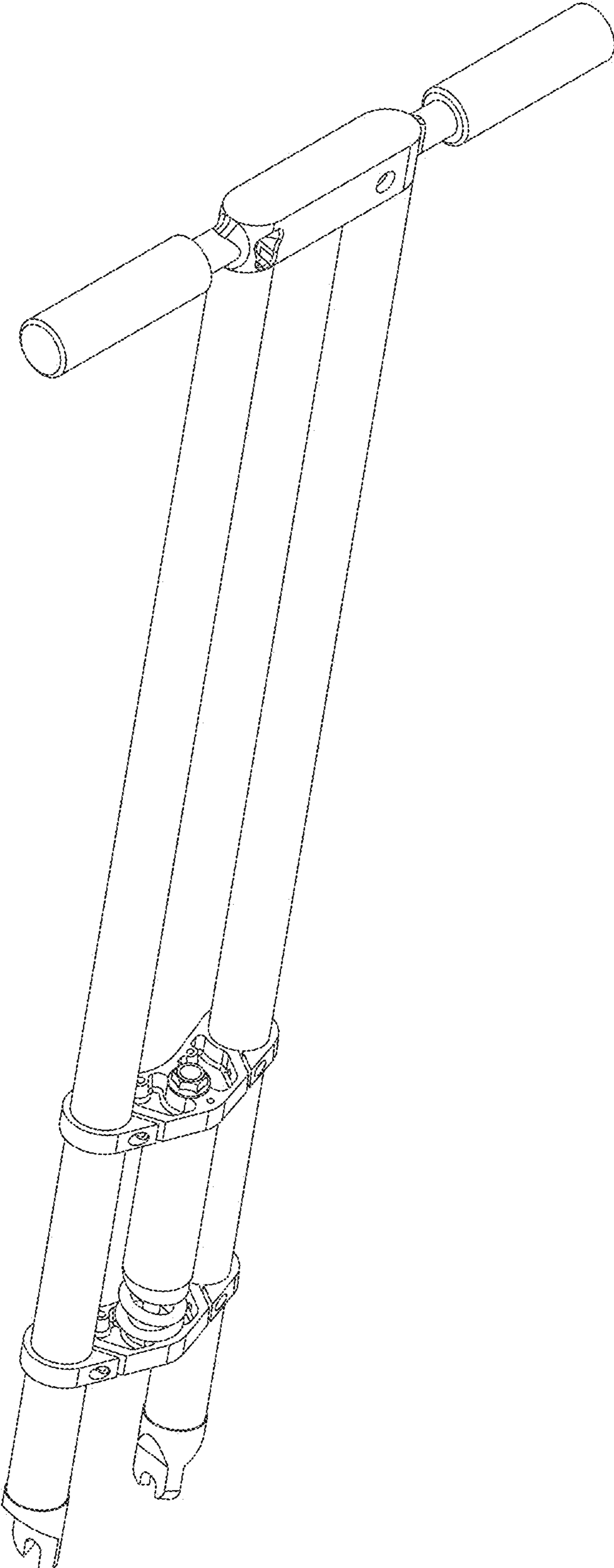


FIG. 7

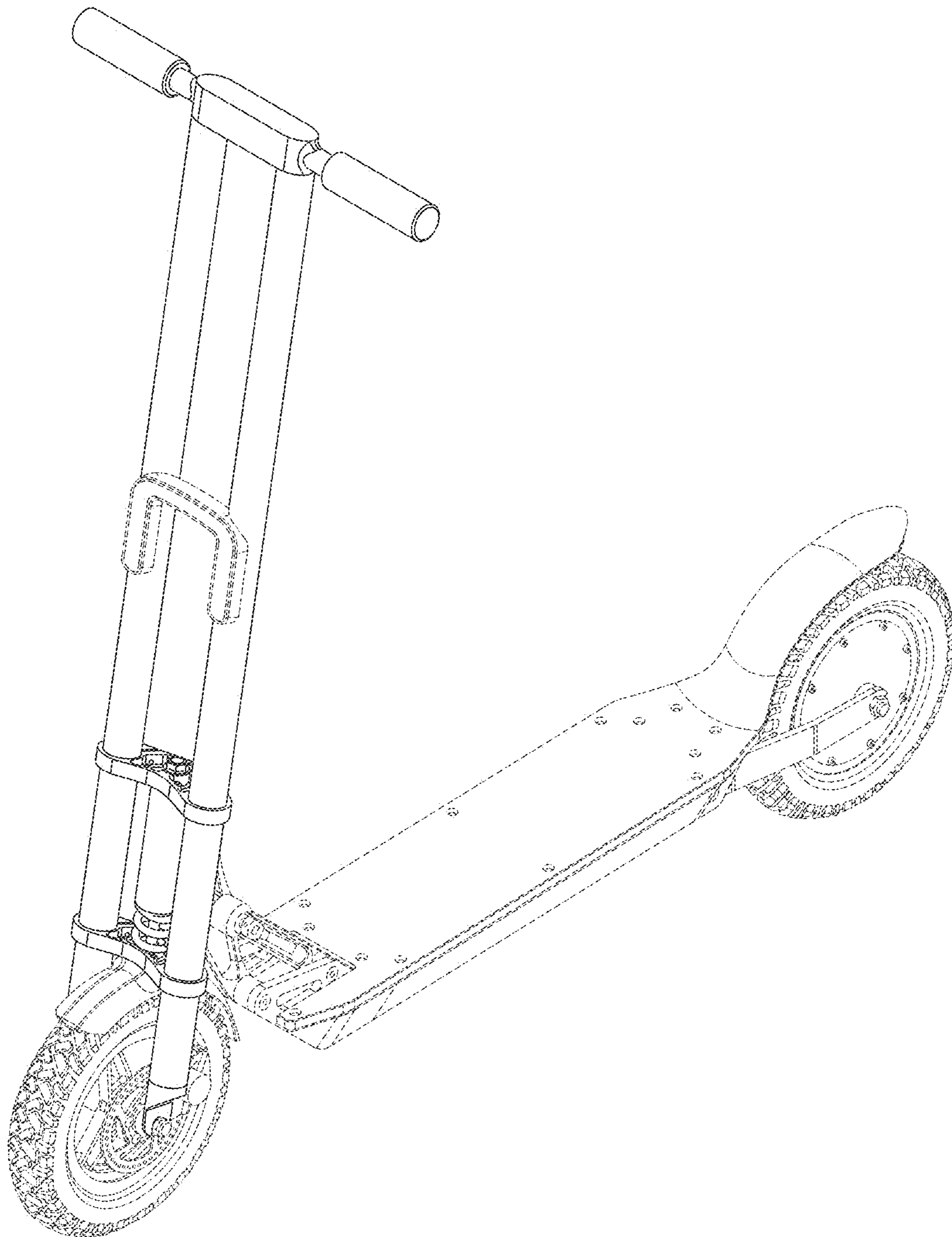


FIG. 8