



US00D914104S

(12) **United States Design Patent**
Mazoyer

(10) **Patent No.:** **US D914,104 S**
(45) **Date of Patent:** **** Mar. 23, 2021**

(54) **THREE WHEELED SCOOTER**
(71) Applicant: **ID DEVELOPMENT LIMITED,**
Hong Kong (CN)
(72) Inventor: **Joseph Mazoyer,** Lyons (FR)
(73) Assignee: **ID DEVELOPMENT LIMITED,**
Hong Kong (CN)
(**) Term: **15 Years**

D785,716 S * 5/2017 Herlitz D21/423
9,796,443 B2 * 10/2017 Eckert B62K 3/002
D842,384 S * 3/2019 Kirchschrager D21/419
D884,800 S * 5/2020 Zhang D21/423
D885,492 S * 5/2020 Zhang D21/423
10,723,405 B2 * 7/2020 Kirchschrager B62K 3/002
2012/0181773 A1 * 7/2012 Ouboter B62K 9/02
280/263
2016/0304152 A1 * 10/2016 Mazoyer B62K 9/00
2016/0318539 A1 * 11/2016 Joos B62H 7/00
2017/0101153 A1 * 4/2017 Eckert B62K 13/08
2019/0210626 A1 * 7/2019 Mazoyer B62K 5/02

(21) Appl. No.: **29/699,983**

(22) Filed: **Jul. 30, 2019**

(30) **Foreign Application Priority Data**

Jan. 31, 2019 (CN) 201930057765.2

(51) **LOC (13) Cl.** **21-01**

(52) **U.S. Cl.**
USPC **D21/423**

(58) **Field of Classification Search**
USPC D21/419, 421, 423, 432, 760, 763, 765,
D21/771; D12/1, 110
CPC B62K 3/002; B62K 9/00; B62K 2202/00;
B62K 15/00; B62K 2015/001; B62K
2015/003; B60Y 2200/126; B62B 7/00;
B62B 7/04; B62B 7/06
See application file for complete search history.

(56) **References Cited**

U.S. PATENT DOCUMENTS

D571,864 S * 6/2008 On D21/424
D749,174 S * 2/2016 O Connell D21/423

* cited by examiner

Primary Examiner — Cynthia M. Chin

(74) *Attorney, Agent, or Firm* — Polson Intellectual
Property Law, PC; Margaret Polson

(57) **CLAIM**

The ornamental design for a three wheeled scooter, as shown
and described.

DESCRIPTION

FIG. 1 is a front isometric view of a new design for a three
wheeled scooter.

FIG. 2 is a front elevation view of FIG. 1.

FIG. 3 is a back elevation view of FIG. 1.

FIG. 4 is a right side elevation view of FIG. 1.

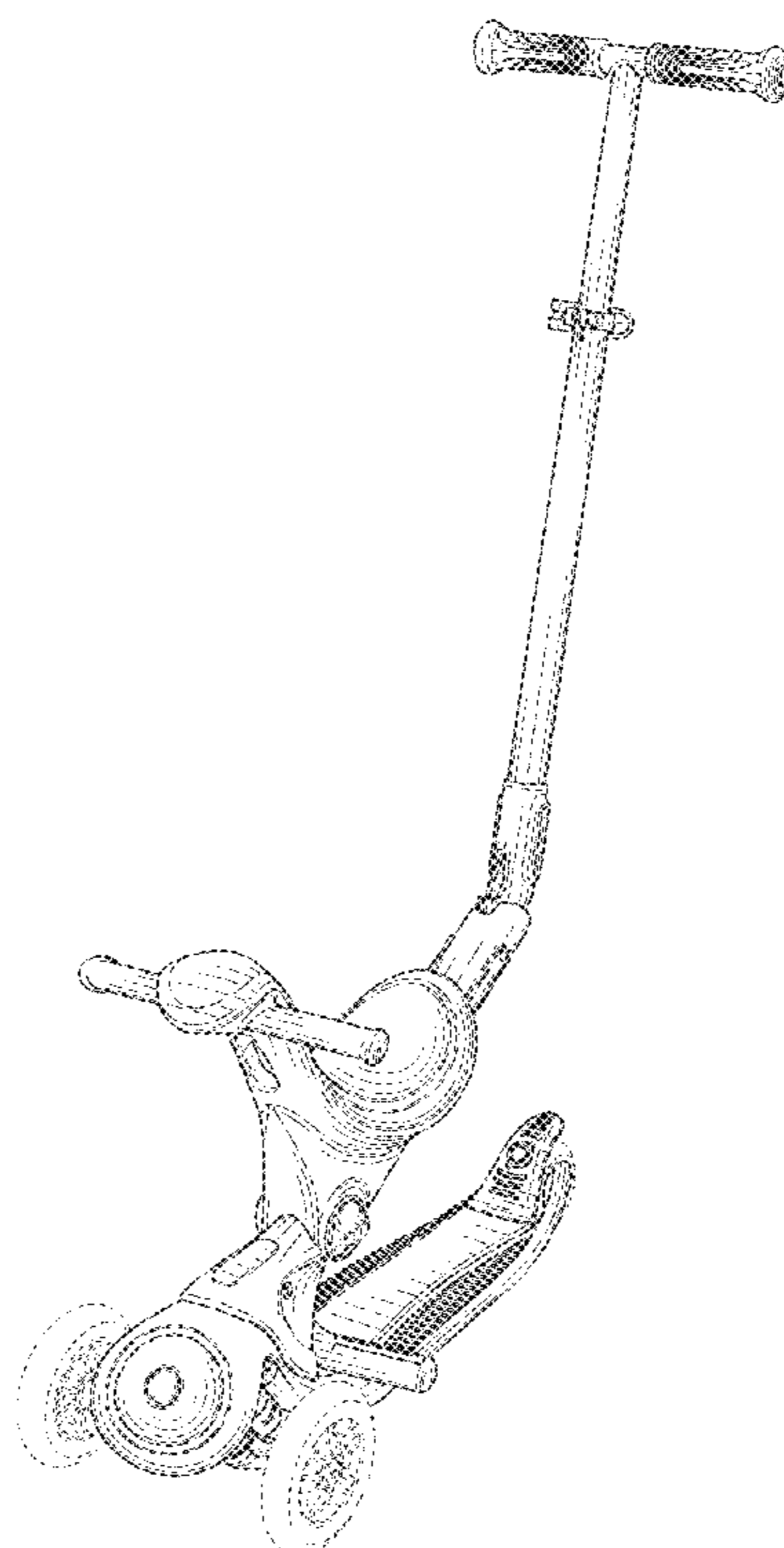
FIG. 5 is a left side elevation view of FIG. 1.

FIG. 6 is a top plan elevation view of FIG. 1; and,

FIG. 7 is a bottom plan elevation view of FIG. 1.

The broken lines are for the purpose of illustrating portions
of the article that form no part of the claim.

1 Claim, 7 Drawing Sheets



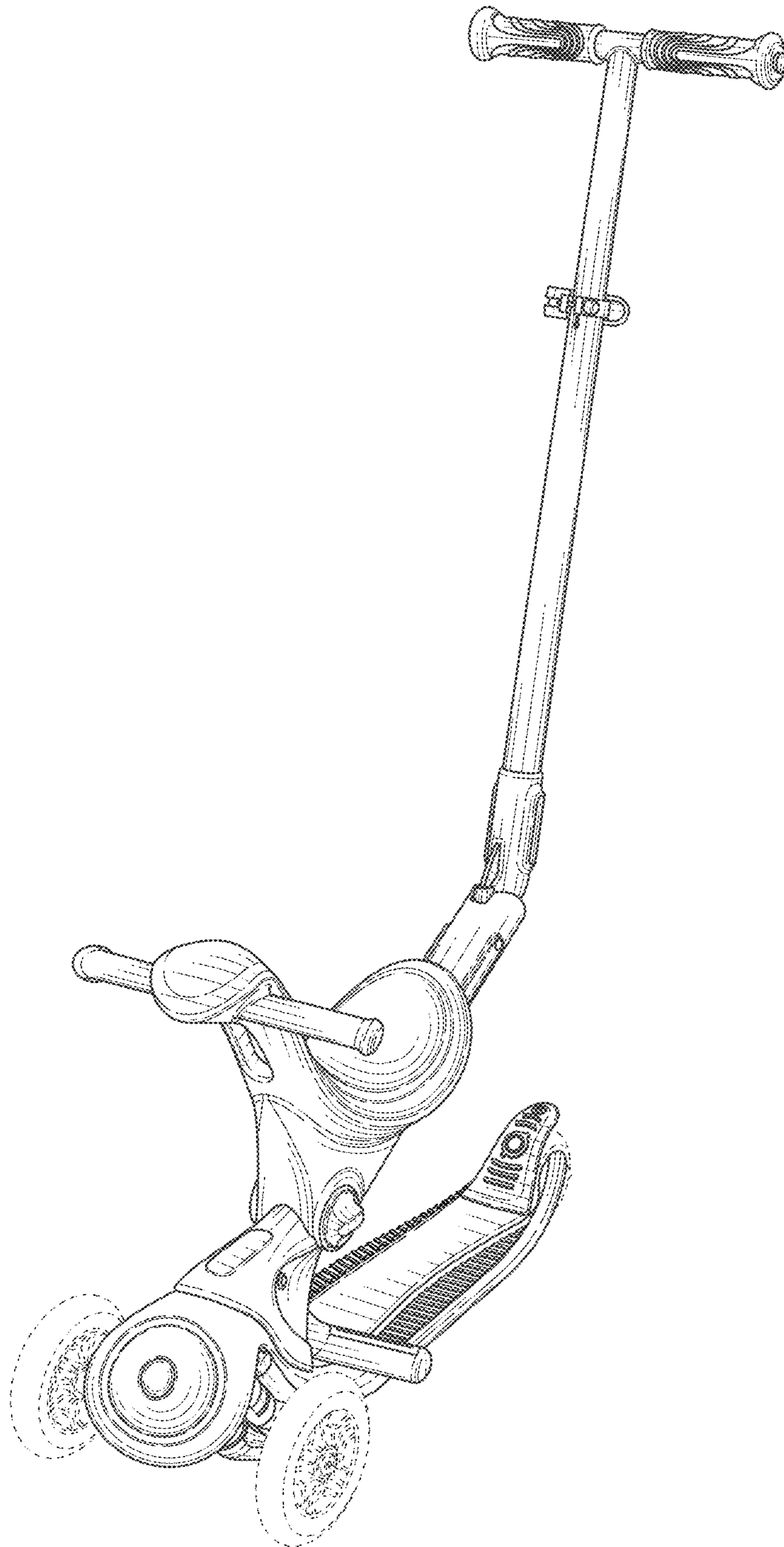


FIG. 1

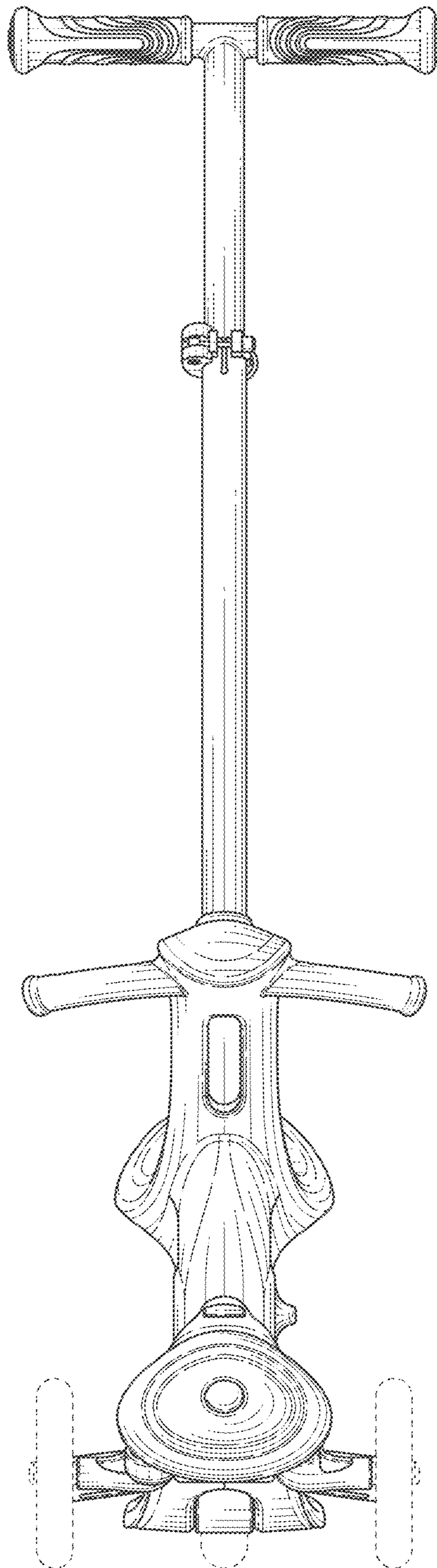


FIG. 2

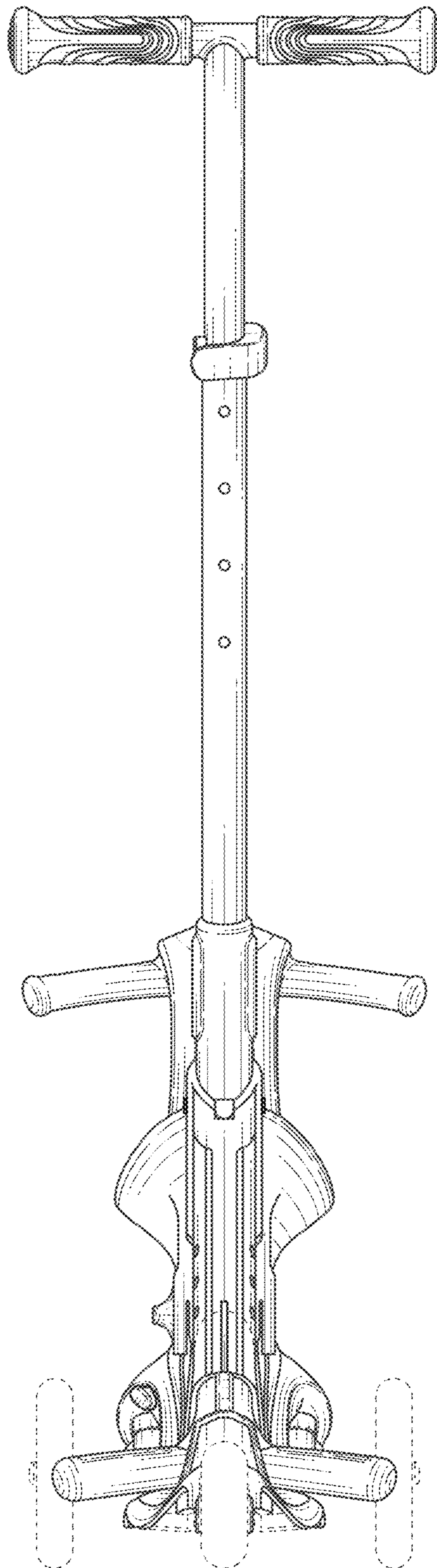


FIG. 3

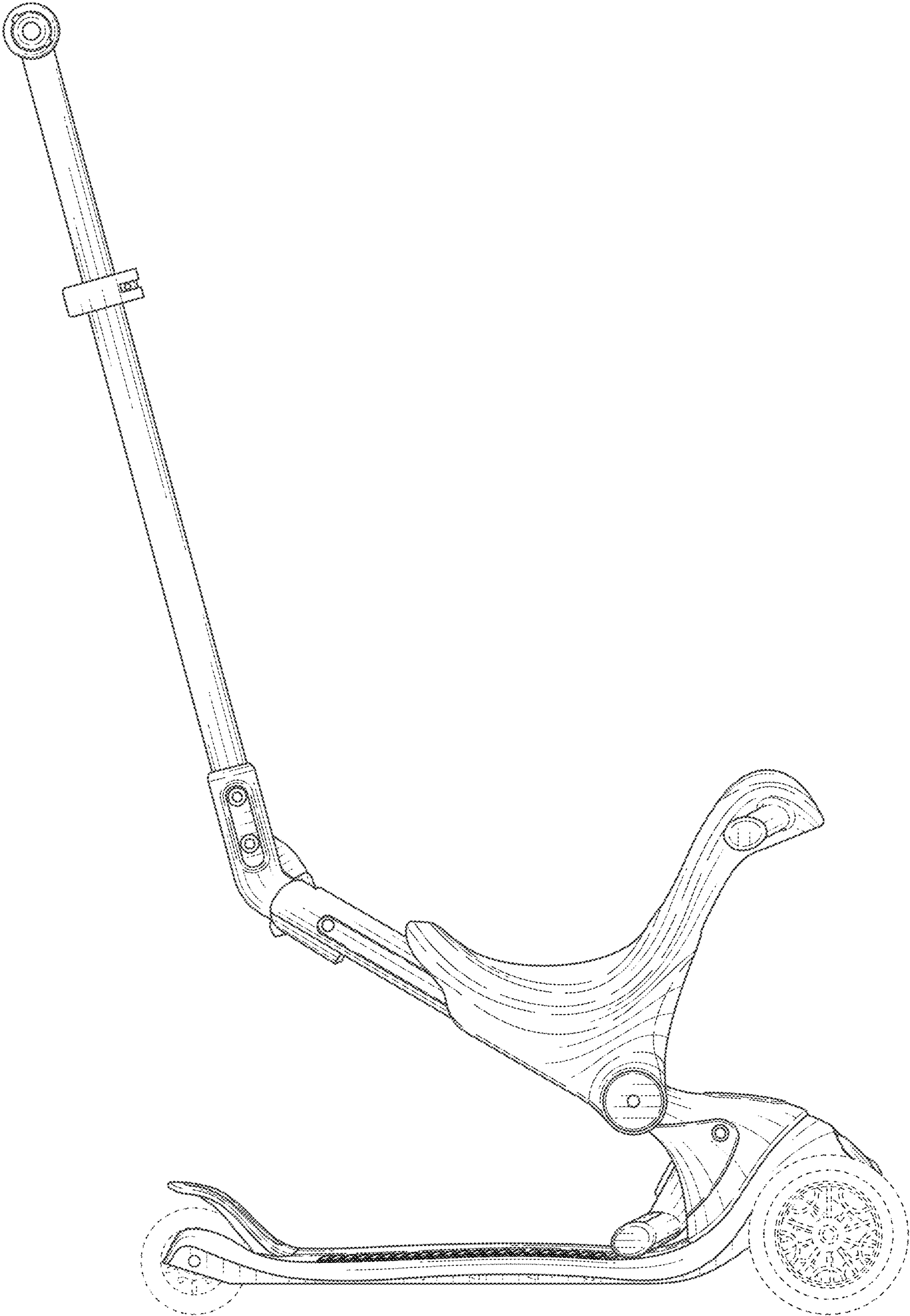


FIG. 4

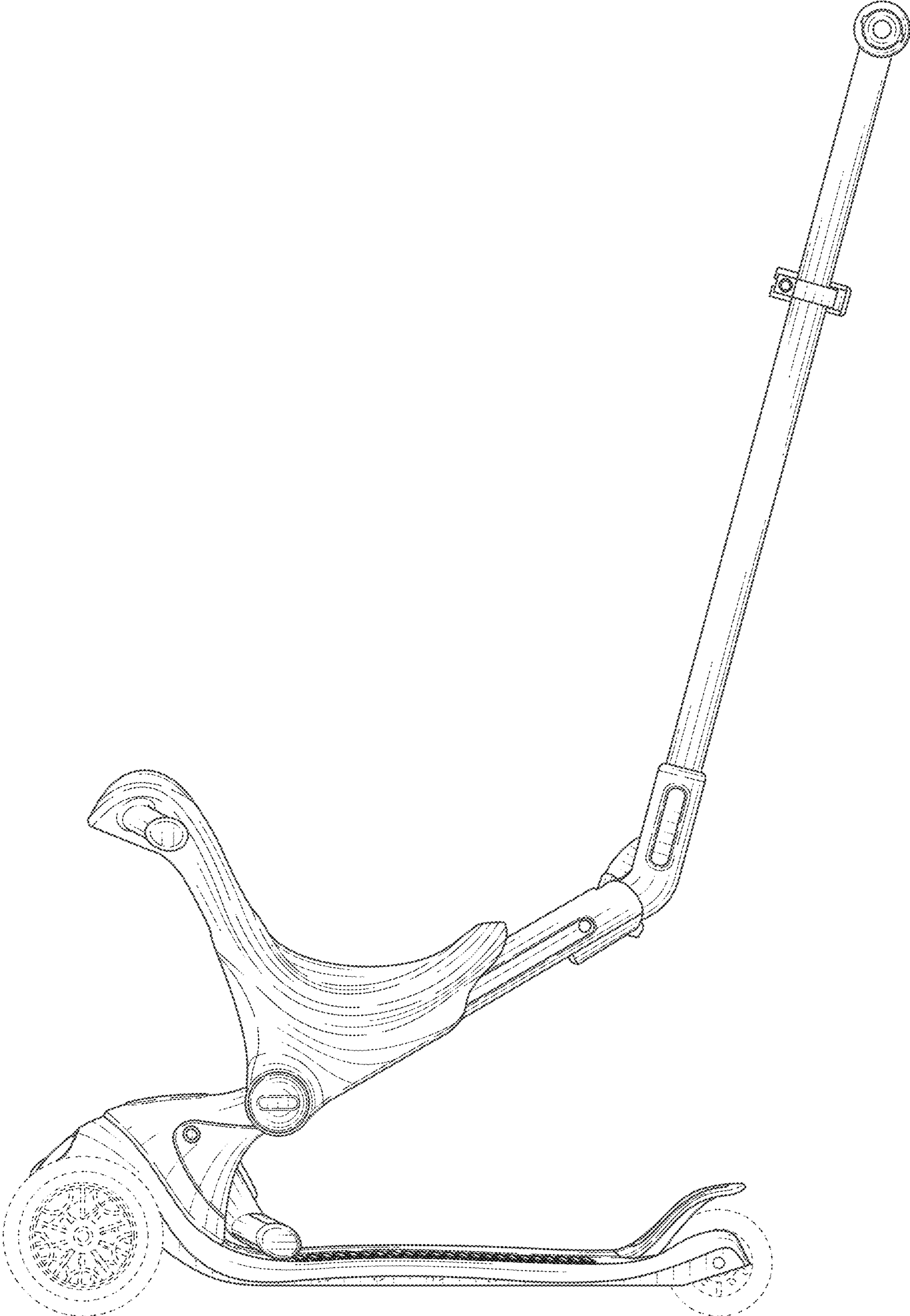


FIG. 5

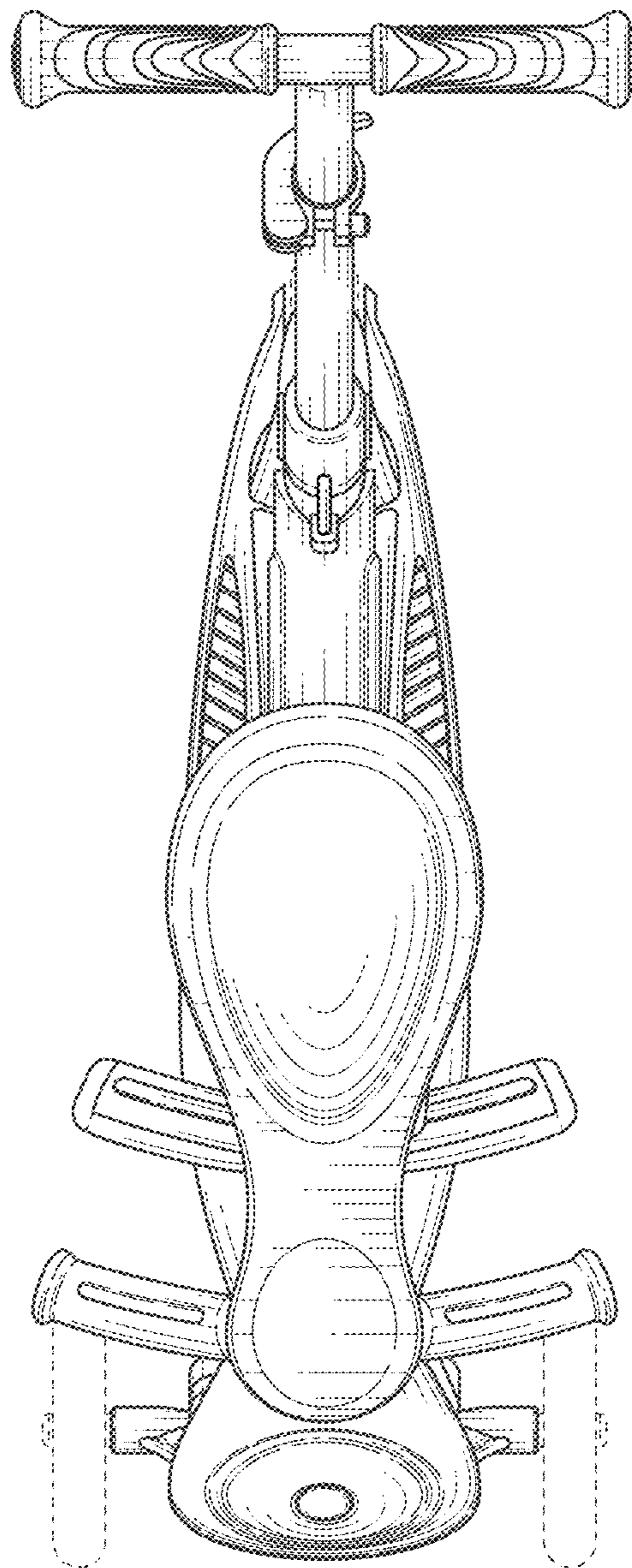


FIG. 6

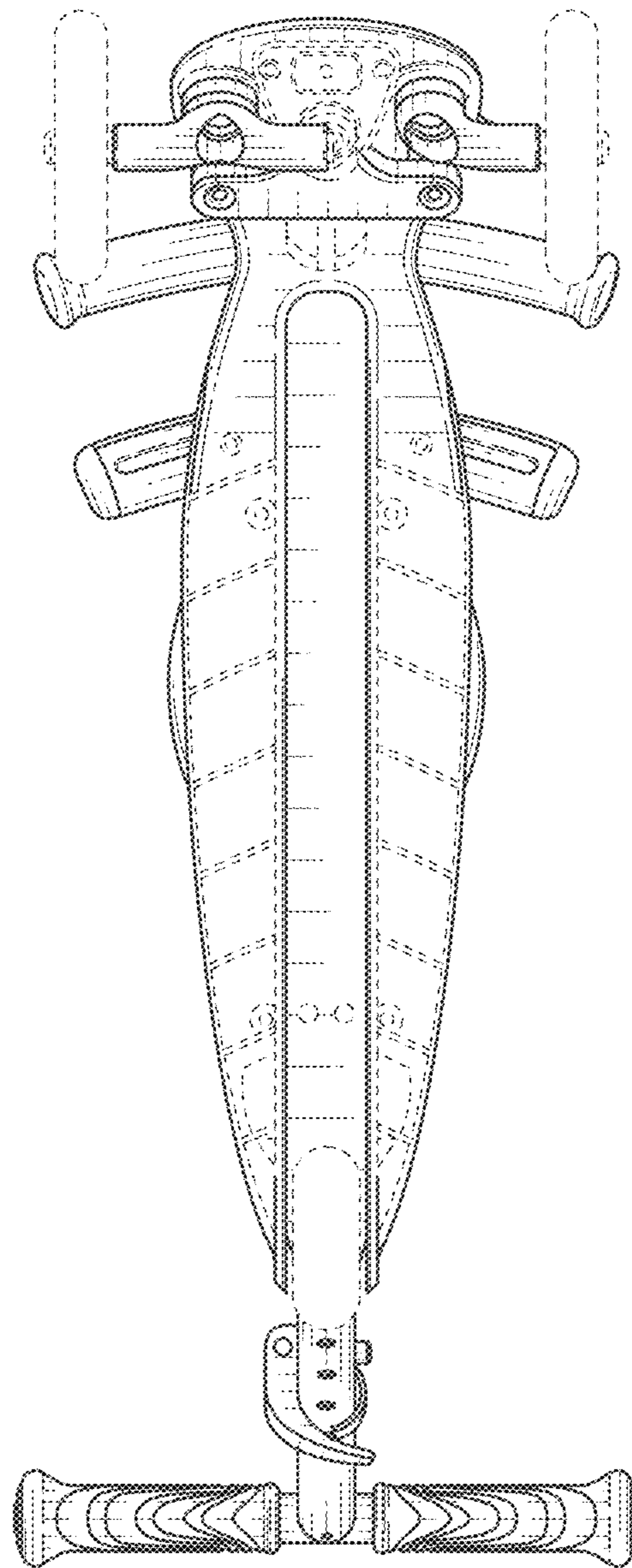


FIG. 7