



US00D914102S

(12) **United States Design Patent**
Hadley et al.

(10) **Patent No.:** **US D914,102 S**
(45) **Date of Patent:** **** Mar. 23, 2021**

- (54) **ELECTRIC SCOOTER**
- (71) Applicant: **RAZOR USA LLC**, Cerritos, CA (US)
- (72) Inventors: **Robert Hadley**, Yorba Linda, CA (US);
Robert Chen, San Marino, CA (US)
- (73) Assignee: **RAZOR USA LLC**, Cerritos, CA (US)
- (**) Term: **15 Years**
- (21) Appl. No.: **29/637,724**
- (22) Filed: **Feb. 21, 2018**

- D326,290 S 5/1992 Badsey
 - 5,662,187 A 9/1997 McGovern
 - 5,848,660 A 12/1998 McGreen
 - 6,029,763 A 2/2000 Swisher
 - 6,139,035 A 10/2000 Tsai
 - D433,718 S 11/2000 Mcgreen
 - D435,873 S 1/2001 Lee
 - D435,874 S 1/2001 Cheng
- (Continued)

Related U.S. Application Data

- (63) Continuation of application No. 29/587,133, filed on Dec. 9, 2016, now Pat. No. Des. 811,489, which is a continuation of application No. 29/553,287, filed on Jan. 29, 2016, now Pat. No. Des. 774,145, which is a continuation of application No. 29/527,262, filed on May 18, 2015, now Pat. No. Des. 748,738, which is a continuation of application No. 29/500,274, filed on Aug. 22, 2014, now abandoned, which is a continuation of application No. 29/472,328, filed on Nov. 11, 2013, now abandoned, which is a continuation of application No. 29/415,919, filed on Mar. 15, 2012, now Pat. No. Des. 693,414.
- (51) **LOC (13) Cl.** **21-01**
- (52) **U.S. Cl.**
USPC **D21/423**
- (58) **Field of Classification Search**
USPC D21/419, 421, 423, 760, 765, 771;
D12/1, 8, 113, 114
CPC B62K 3/002; B62K 9/00; B62K 2202/00;
B60Y 2200/126
See application file for complete search history.

References Cited

U.S. PATENT DOCUMENTS

- 4,094,372 A 6/1978 Notter
- 4,842,091 A 6/1989 Badsey

FOREIGN PATENT DOCUMENTS

- CH 598051 4/1978
 - CN 2448414 Y 9/2001
- (Continued)

OTHER PUBLICATIONS

- U.S. Appl. No. 29/591,292, filed Jan. 18, 2017, Huang et al.
- U.S. Appl. No. 29/637,152, filed Feb. 14, 2018, Hadley.

Primary Examiner — Cynthia M. Chin
(74) *Attorney, Agent, or Firm* — Knobbe Martens Olson & Bear, LLP

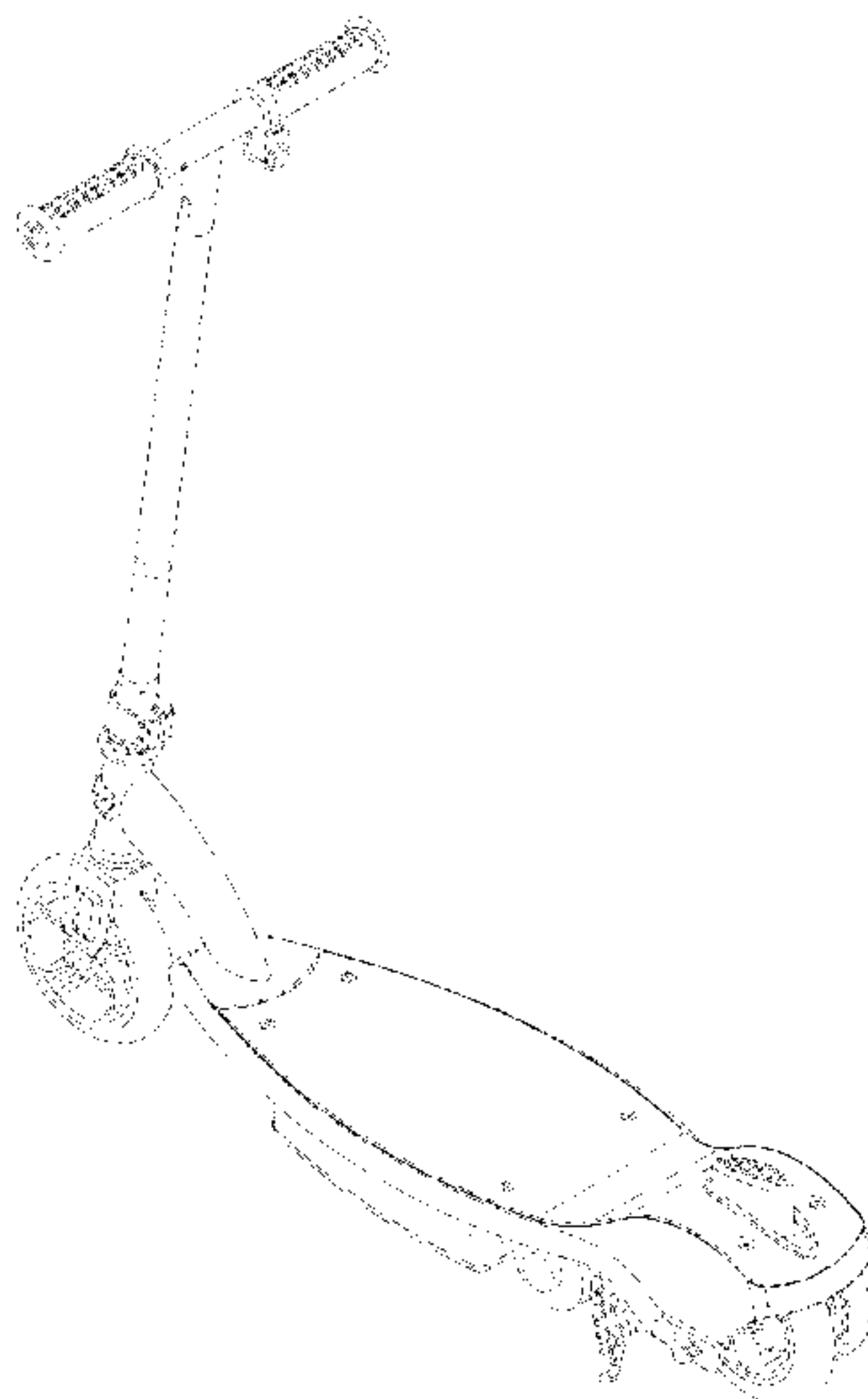
CLAIM

(57) The ornamental design for an electric scooter, as shown and described.

DESCRIPTION

FIG. 1 is a perspective view showing top, left and rear sides of an electric scooter.
FIG. 2 is a right side view of the electric scooter of FIG. 1.
FIG. 3 is a left side view of the electric scooter of FIG. 1.
FIG. 4 is a front view of the electric scooter of FIG. 1.
FIG. 5 is a rear view of the electric scooter of FIG. 1.
FIG. 6 is a top view of the electric scooter of FIG. 1; and, FIG. 7 is a bottom view of the electric scooter of FIG. 1.
Where utilized, the broken lines show portions of the electric scooter that form no part of the claimed design. All dash dot lines are boundary lines and form no part of the claimed design.

1 Claim, 5 Drawing Sheets



(56)

References Cited

U.S. PATENT DOCUMENTS

6,179,307 B1 1/2001 Mao
 D438,911 S 3/2001 Chen
 D438,912 S 3/2001 Barrera
 D439,623 S 3/2001 Barrera
 6,199,652 B1 3/2001 Mastroianni et al.
 6,206,387 B1 3/2001 Tsai
 6,234,501 B1 5/2001 Chen
 D444,824 S 7/2001 Udwin et al.
 D446,259 S 8/2001 Udwin et al.
 D447,187 S 8/2001 Powers
 D447,188 S * 8/2001 Lan D21/423
 6,270,095 B1 8/2001 Chang
 6,273,205 B1 8/2001 Tsai
 6,283,485 B1 9/2001 Tsai
 6,296,082 B1 10/2001 Tsai
 6,298,952 B1 10/2001 Tsai
 D450,355 S 11/2001 Chan
 D452,284 S 12/2001 McGinnis
 D453,198 S 1/2002 Dudley
 D453,804 S 2/2002 Robinson
 6,345,678 B1 2/2002 Chang
 D454,377 S 3/2002 Hsu et al.
 D456,460 S 4/2002 Tseng
 6,378,880 B1 4/2002 Lin
 6,382,366 B1 5/2002 Chang
 6,386,330 B1 5/2002 Wei
 6,394,213 B1 5/2002 Tsai
 6,409,190 B1 6/2002 Tsai
 D459,761 S 7/2002 Chen
 6,416,060 B1 7/2002 Chen
 6,428,021 B1 8/2002 Tung
 6,443,470 B1 9/2002 Ulrich et al.
 D464,379 S 10/2002 Lin
 6,462,493 B2 10/2002 Lan
 6,481,728 B2 11/2002 Chen
 6,481,729 B2 11/2002 Herman et al.
 D471,597 S 3/2003 Chen
 D471,598 S 3/2003 Chen
 D475,093 S 5/2003 Furter et al.
 6,619,416 B2 9/2003 Lan
 6,619,679 B2 9/2003 Lan
 6,672,607 B2 1/2004 Chung
 D486,532 S 2/2004 Christianson
 6,739,421 B1 5/2004 Miya
 D492,367 S 6/2004 Dennis
 D497,397 S 10/2004 Sramek
 6,832,660 B2 12/2004 Dodd
 D513,629 S 1/2006 Sramek
 D516,132 S 2/2006 Sramek
 7,156,405 B1 1/2007 Ming
 7,351,265 B2 4/2008 Vitale et al.
 D569,447 S 5/2008 Thomas
 7,431,110 B2 10/2008 Greenwood et al.
 D579,987 S 11/2008 Hong
 7,584,974 B2 9/2009 Jackman et al.
 D603,463 S 11/2009 Jessie, Jr.
 7,654,356 B2 2/2010 Wu
 7,976,035 B2 7/2011 Chan
 D645,522 S 9/2011 Powers et al.
 D654,963 S 2/2012 Powers et al.
 D656,560 S 3/2012 Patterson et al.
 8,292,018 B2 10/2012 Huang
 D671,600 S 11/2012 Horne
 D672,400 S 12/2012 Pizzi
 D684,217 S 6/2013 Hadley
 D686,674 S 7/2013 Hadley et al.
 D691,671 S 10/2013 Chen et al.
 D692,963 S 11/2013 Radtke et al.
 D693,414 S 11/2013 Hadley et al.
 D698,868 S 2/2014 Chan
 D710,949 S * 8/2014 Huang D21/423
 8,813,892 B2 8/2014 Hadley et al.
 D714,396 S 9/2014 Talios

D715,870 S 10/2014 Talios
 8,870,200 B2 10/2014 Chen
 D717,881 S 11/2014 Radtke et al.
 8,925,935 B2 1/2015 Powers et al.
 D727,833 S 4/2015 Talios et al.
 9,045,189 B2 6/2015 Lovley, II et al.
 D736,324 S * 8/2015 Lu D21/423
 9,114,821 B1 8/2015 Xu
 D738,435 S 9/2015 O'Connell
 D748,738 S 2/2016 Hadley et al.
 D750,180 S 2/2016 Edlauer
 9,321,504 B2 4/2016 Hadley et al.
 D756,464 S 5/2016 Edlauer
 D756,465 S * 5/2016 Byrne D21/423
 D772,990 S 11/2016 Allais
 D774,145 S 12/2016 Hadley et al.
 D774,601 S 12/2016 Mizrahi et al.
 D777,844 S 1/2017 Connell
 D778,806 S 2/2017 Welford
 9,592,876 B2 3/2017 Lovley, II et al.
 9,660,500 B2 5/2017 Huang
 D806,176 S 12/2017 Peng
 D810,836 S 2/2018 Hadley
 D811,489 S 2/2018 Hadley et al.
 D815,215 S 4/2018 Desberg
 D818,541 S 5/2018 Huang
 D829,826 S 10/2018 Liu et al.
 D830,468 S 10/2018 Liu
 10,099,745 B2 * 10/2018 Hadley F16D 49/00
 D834,097 S 11/2018 Lin et al.
 10,124,851 B2 11/2018 Lovley, II et al.
 D836,727 S * 12/2018 Wilson D21/423
 D837,303 S 1/2019 Desberg
 D839,358 S 1/2019 Cao
 D839,359 S 1/2019 Hadley
 10,189,533 B2 1/2019 Lovley, II et al.
 D849,153 S 5/2019 Zhang et al.
 D855,115 S 7/2019 Yan
 D872,192 S 1/2020 Hadley
 D873,349 S 1/2020 Huang
 10,737,743 B2 8/2020 Hadley et al.
 2002/0093161 A1 7/2002 Udwin et al.
 2002/0105157 A1 8/2002 Chen
 2002/0170763 A1 11/2002 Townsend
 2003/0168273 A1 9/2003 Ducharme et al.
 2003/0197344 A1 10/2003 Chung
 2003/0221888 A1 12/2003 McKinney, Jr. et al.
 2004/0129472 A1 7/2004 Cheng
 2005/0012289 A1 1/2005 Wang et al.
 2005/0173175 A1 8/2005 Lee
 2006/0049595 A1 3/2006 Crigler et al.
 2007/0045976 A1 3/2007 Wu
 2008/0203691 A1 8/2008 Hsu
 2009/0071740 A1 3/2009 Palmer
 2009/0160150 A1 6/2009 Johnson
 2010/0123295 A1 5/2010 Landau
 2012/0048636 A1 3/2012 Huang
 2013/0026734 A1 1/2013 Zhang et al.
 2013/0087983 A1 4/2013 Ngai
 2013/0186698 A1 7/2013 Sarokhan
 2013/0320648 A1 12/2013 Eckert et al.
 2015/0133253 A1 5/2015 Huang
 2016/0347402 A1 12/2016 Hadley et al.
 2017/0240239 A1 8/2017 Huang et al.
 2019/0193809 A1 6/2019 Hadley
 2019/0263468 A1 8/2019 Huang

FOREIGN PATENT DOCUMENTS

CN 2452873 Y 10/2001
 CN 204021174 U 12/2014
 DE 201 07 388 U1 7/2001
 WO WO 2015/095368 A1 6/2015
 WO WO 2015/114614 8/2015
 WO WO 2017/127464 A1 7/2017

* cited by examiner

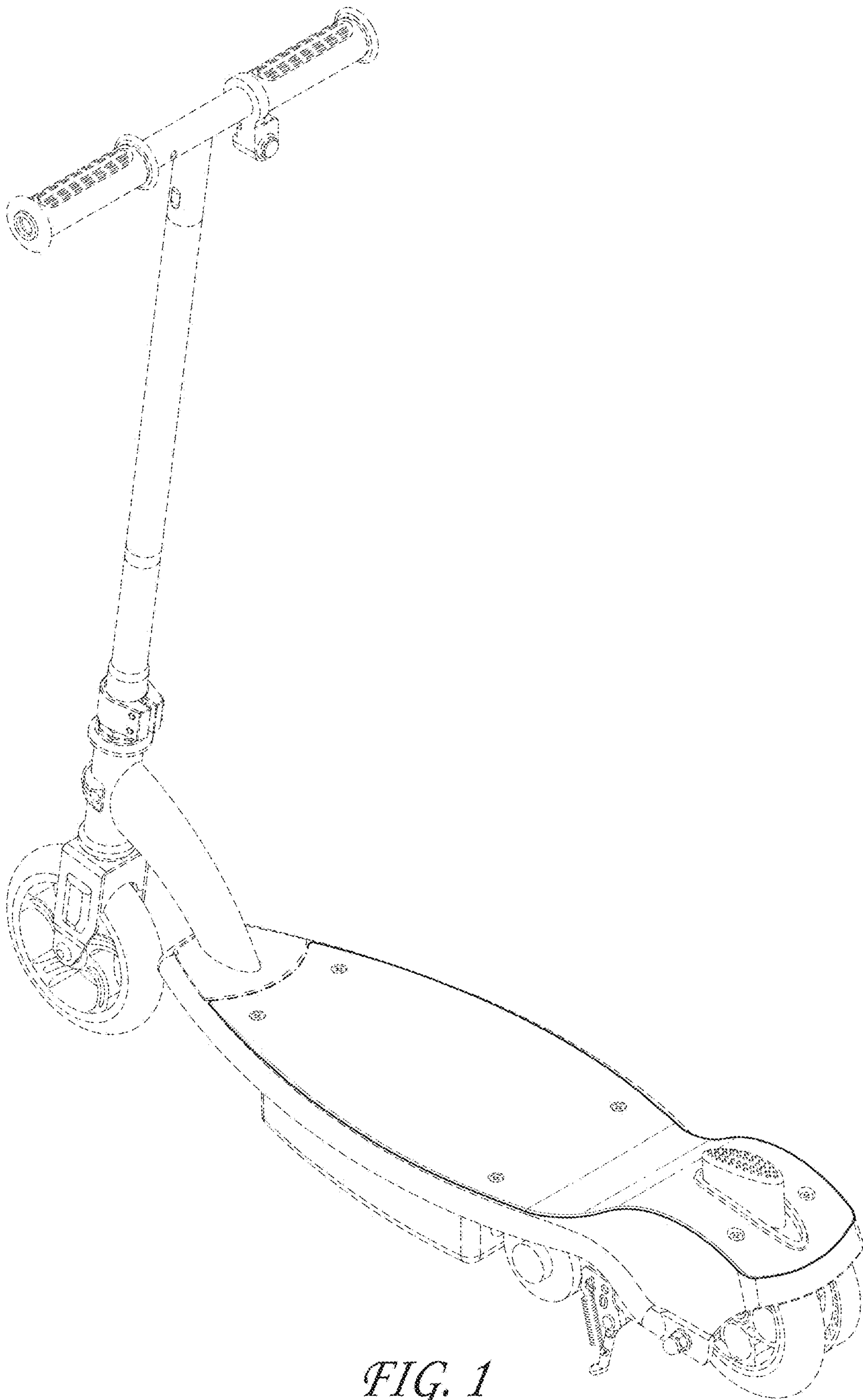


FIG. 1

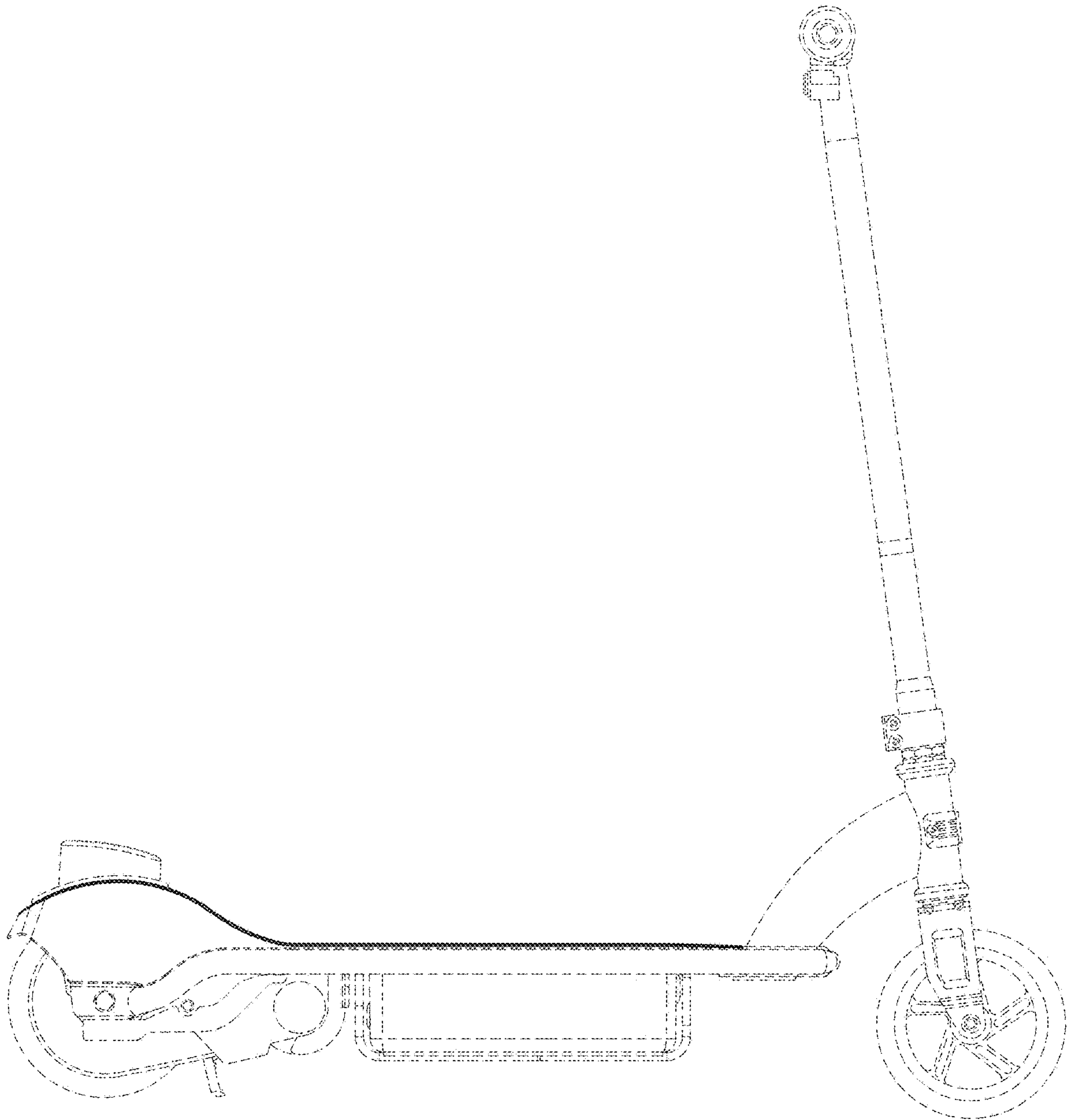


FIG. 2

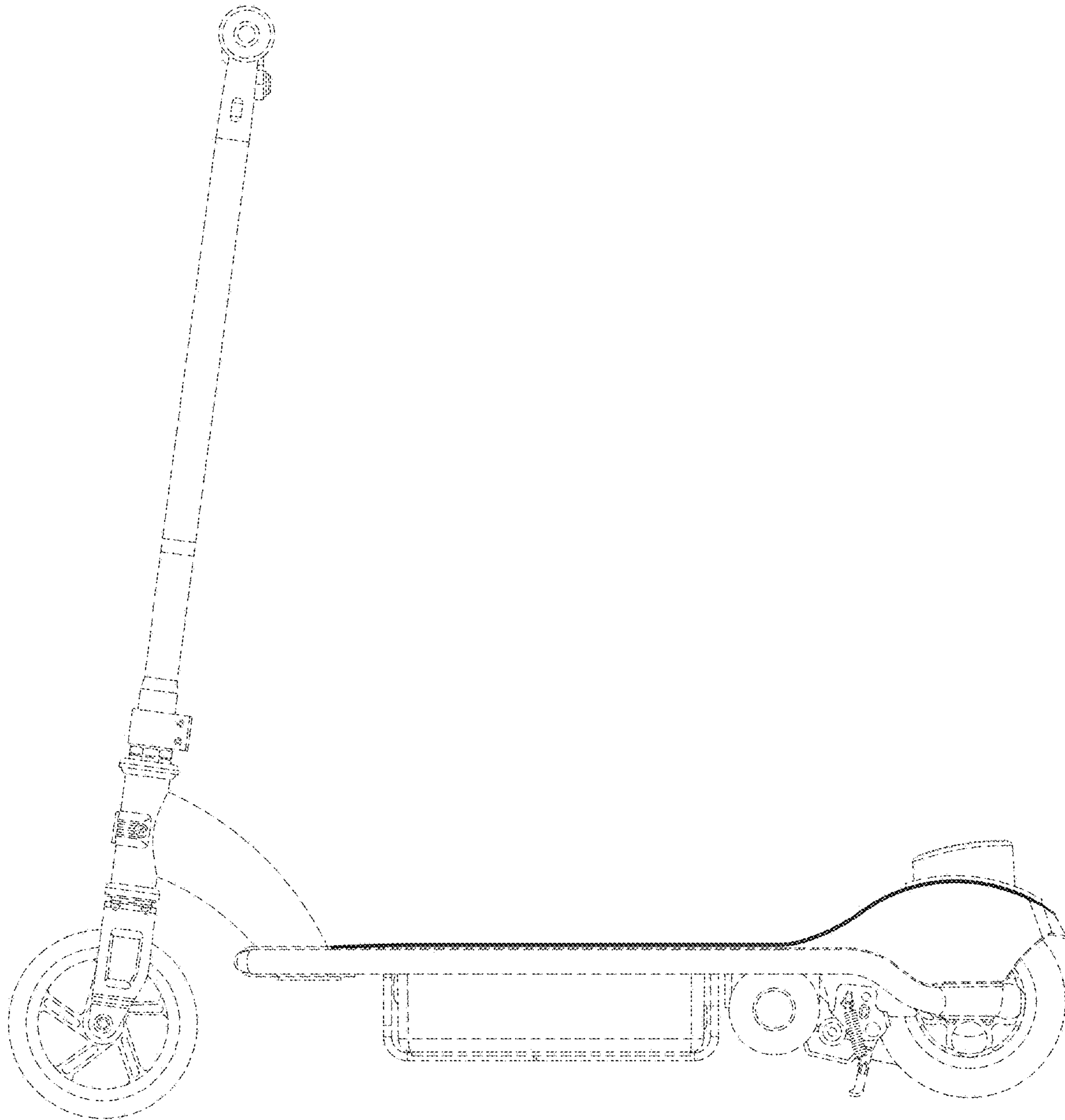


FIG. 3

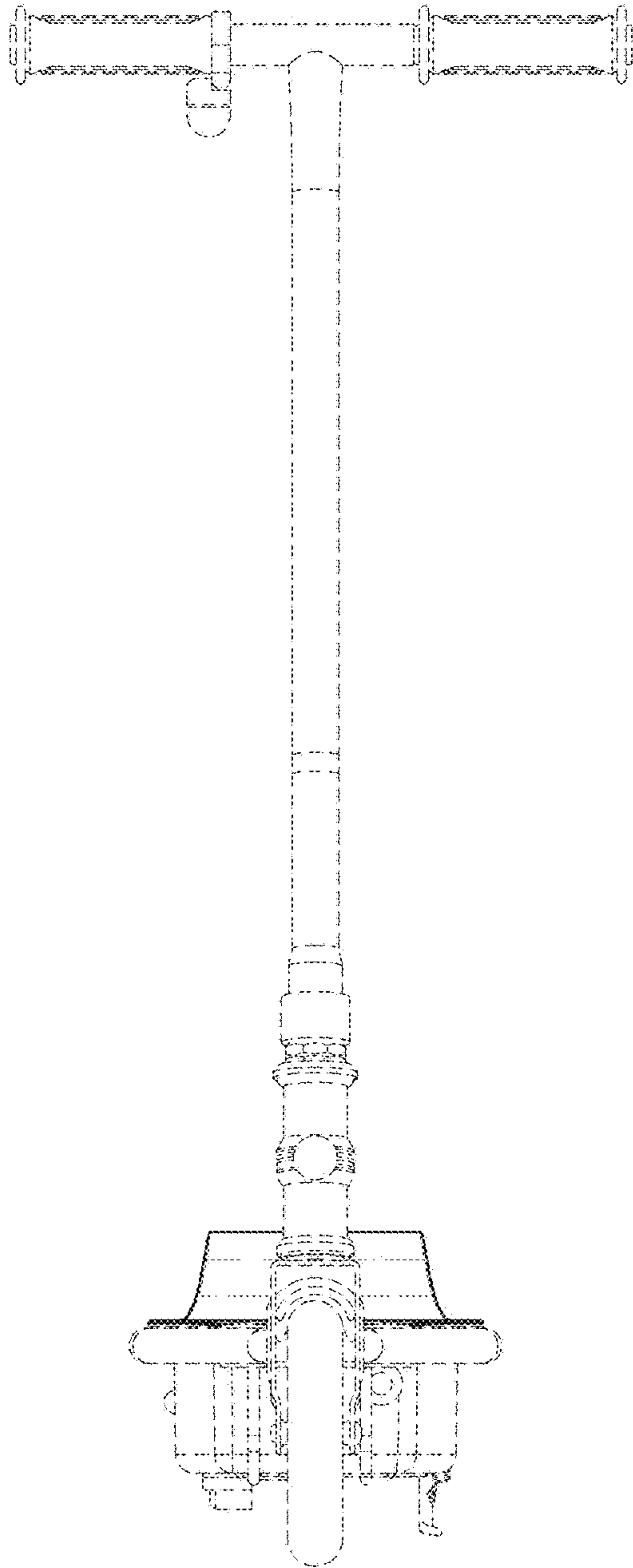


FIG. 4

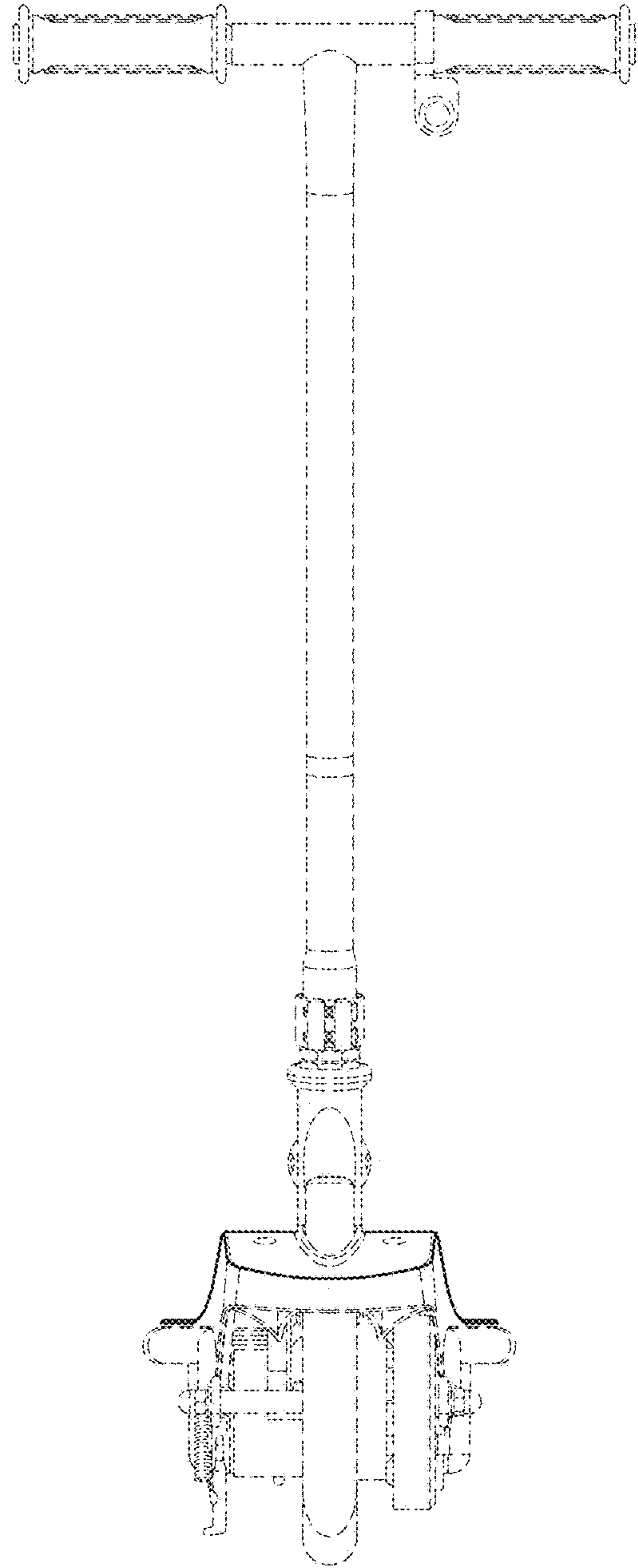


FIG. 5

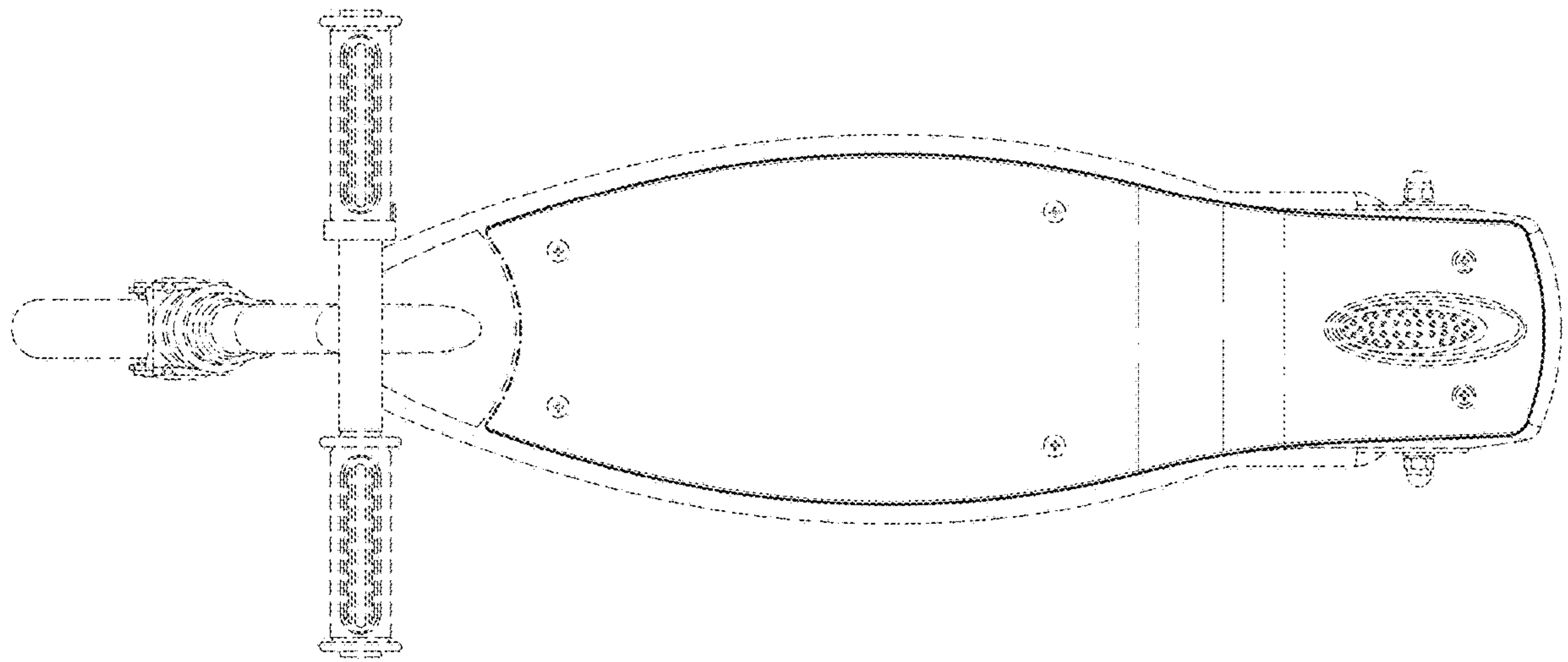


FIG. 6

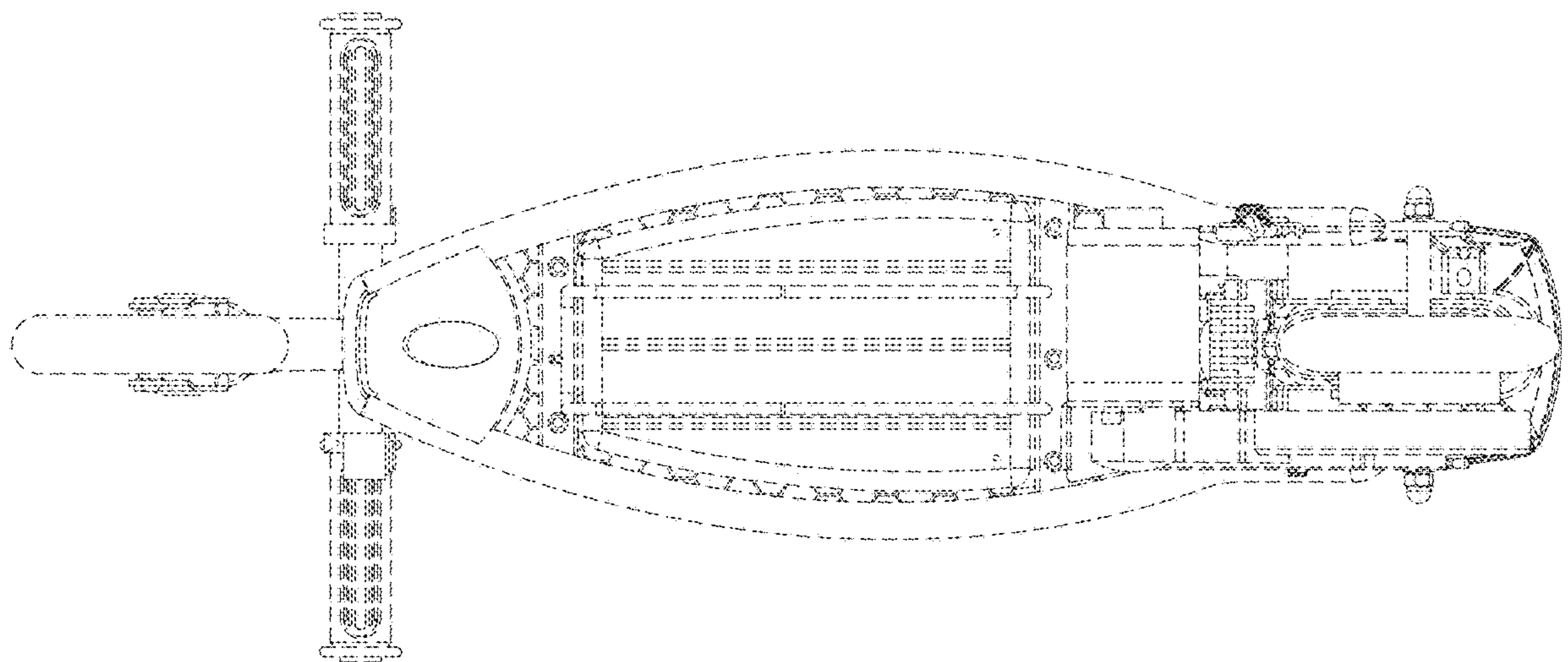


FIG. 7