

US00D914100S

(12) **United States Design Patent** (10) **Patent No.:** **US D914,100 S**
Marks (45) **Date of Patent:** **** Mar. 23, 2021**

(54) **GAMING MACHINE BONUS WHEEL**

(71) Applicant: **ARISTOCRAT TECHNOLOGIES AUSTRALIA PTY LIMITED**, North Ryde (AU)

(72) Inventor: **Daniel Mordecai Marks**, Decatur, GA (US)

(73) Assignee: **Aristocrat Technologies Australia Pty Limited**, North Ryde (AU)

(**) Term: **15 Years**

(56) **References Cited**

U.S. PATENT DOCUMENTS

1,445,891 A *	2/1923	Johnson	A63F 5/043 273/141 R
1,578,412 A *	3/1926	Ewig	A63F 1/04 273/142 E

(Continued)

Primary Examiner — Ryan Harvey

(74) *Attorney, Agent, or Firm* — Armstrong Teasdale LLP

(21) Appl. No.: **29/659,469**

(22) Filed: **Aug. 9, 2018**

(51) **LOC (13) Cl.** **21-03**

(52) **U.S. Cl.**
USPC **D21/369**

(58) **Field of Classification Search**

USPC D21/369, 370, 371, 385, 329, 325, 394;
D14/307, 172, 129, 325, 401, 371, 126,
D14/439, 432, 450, 128, 375, 248, 374,
D14/341, 138 G, 127; 463/28, 13, 11,
463/16, 20, 25, 31, 46, 23, 30, 17, 36, 29,
463/42, 34, 32, 35, 19, 21, 22; 273/292,
273/203, 138.2, 143 R, 142 R, 138.1;
D19/60; D16/226; D8/335, 331, 334;
D26/141; D7/641

CPC .. G07F 17/3211; G07F 17/32; G07F 17/3213;
G07F 17/34; G07F 17/3267; G07F
17/3202; G07F 17/3262; G07F 17/3286;
G07F 17/3272; G07F 17/3216; G07F
17/322; A63F 9/0406; A63F 5/045; A63F
3/00157; A63F 5/02

See application file for complete search history.

(57) **CLAIM**

I claim the ornamental design for a gaming machine bonus wheel, as shown and described.

DESCRIPTION

FIG. 1 is a front perspective view of a gaming machine bonus wheel in accordance with our new design;

FIG. 2 is a front view of the gaming machine bonus wheel shown in FIG. 1;

FIG. 3 is a back view of the gaming machine bonus wheel shown in FIG. 1;

FIG. 4 is a left side view of the gaming machine bonus wheel shown in FIG. 1;

FIG. 5 is a right side view of the gaming machine bonus wheel shown in FIG. 1;

FIG. 6 is a top view of the gaming machine bonus wheel shown in FIG. 1;

FIG. 7 is a front perspective view of an alternative gaming machine bonus wheel in accordance with our new design;

FIG. 8 is a front view of the gaming machine bonus wheel shown in FIG. 7;

FIG. 9 is a back view of the gaming machine bonus wheel shown in FIG. 7;

FIG. 10 is a right side view of the gaming machine bonus wheel shown in FIG. 7;

FIG. 11 is a left side view of the gaming machine bonus wheel shown in FIG. 7; and,

(Continued)

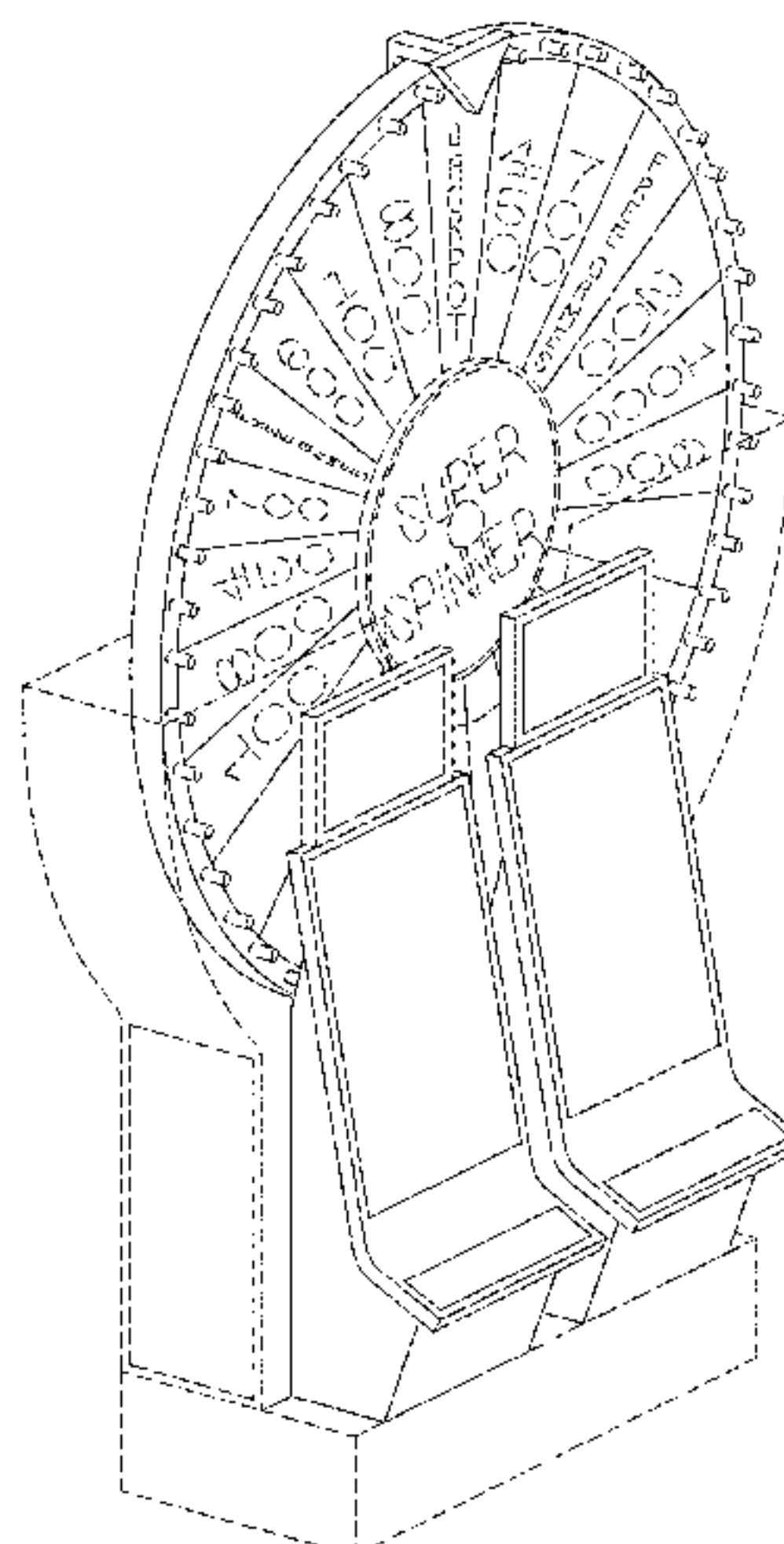


FIG. 12 is a top view of the gaming machine bonus wheel in FIG. 7.

The broken line showing portions of the gaming machine bonus wheel depicts environment and forms no part of the claim.

1 Claim, 12 Drawing Sheets

(56)

References Cited

U.S. PATENT DOCUMENTS

1,670,692 A *	5/1928	Rosar	A63F 5/00	7,461,842 B2 *	12/2008	Wu	A63F 5/045
			273/142 F				273/138.1
2,036,718 A *	4/1936	Potter	A63F 1/04	D590,025 S *	4/2009	Fiore	D21/370
			273/142 R	D591,360 S *	4/2009	Fiore	D21/370
2,077,124 A *	4/1937	Miller	A63F 5/043	7,862,422 B2	1/2011	Garamendi	
			273/142 HA	7,942,417 B2 *	5/2011	Smith	G07F 17/34
D163,281 S *	5/1951	Hauptenthal	D21/375				273/138.2
2,721,082 A *	10/1955	Hunold	A63F 5/02	8,100,754 B2 *	1/2012	Bigelow, Jr.	G07F 17/34
			273/142 F				463/16
D251,395 S *	3/1979	Kula	D21/327	8,210,944 B2	7/2012	Mead	
D270,362 S *	8/1983	de Gregorio	D21/375	8,216,046 B2 *	7/2012	Ikeya	G07F 17/32
D376,825 S *	12/1996	Hanscom	D21/324				463/16
5,743,523 A *	4/1998	Kelly	A63F 7/0058	8,246,445 B2 *	8/2012	Rodgers	G07F 17/32
			273/118 A				463/16
5,755,619 A *	5/1998	Matsumoto	A63F 3/062	8,328,632 B2 *	12/2012	Cannon	G07F 17/42
			273/269				463/17
D397,161 S *	8/1998	Hanscom	D21/369	8,419,526 B1 *	4/2013	Cannon	G07F 17/32
D400,235 S *	10/1998	Jukes	D21/329				463/25
5,879,235 A *	3/1999	Kaneko	A63F 5/0005	D690,773 S *	10/2013	Miller	D21/370
			273/142 R	D696,355 S *	12/2013	MacDonald	D21/375
5,947,472 A *	9/1999	Tang	A63F 3/00157	8,808,094 B2	8/2014	DeSimone	
			273/142 R	D714,392 S *	9/2014	Arabian	D21/369
6,059,658 A	5/2000	Mangano		8,956,216 B1 *	2/2015	LeSourd	G07F 17/3213
6,224,483 B1 *	5/2001	Mayeroff	G07F 17/32				463/20
			463/16	D729,321 S *	5/2015	Arabian	D21/369
D460,120 S *	7/2002	Lynch	D21/325	9,728,031 B2 *	8/2017	Schultz	G07F 17/3272
D486,869 S	2/2004	Webb		9,849,367 B2 *	12/2017	Jones	A63F 1/12
D520,071 S *	5/2006	Seelig	D21/370	9,999,830 B2 *	6/2018	Fisher	A63F 5/02
D520,072 S *	5/2006	Seelig	D21/370	D843,469 S *	3/2019	Nettenstrom	D21/369
D523,908 S *	6/2006	Hedrick	D11/163	D880,605 S *	4/2020	Bussey	D21/369
D524,380 S *	7/2006	Seelig	D21/370	2002/0142830 A1	10/2002	Adams	
D529,965 S *	10/2006	Hedrick	D21/370	2003/0027628 A1 *	2/2003	Luciano	G07F 17/32
7,198,570 B2	4/2007	Rodgers					463/20
D572,770 S *	7/2008	Seelig	D21/370	2003/0148804 A1 *	8/2003	Ikeya	G07F 17/3211
7,431,649 B2	10/2008	Webb					463/16
				2003/0153385 A1 *	8/2003	Ikeya	G07F 17/34
							463/31
				2004/0048645 A1 *	3/2004	Webb	G07F 17/3202
							463/16
				2005/0192090 A1 *	9/2005	Muir	G07F 17/3211
							463/30
				2006/0046821 A1 *	3/2006	Kaminkow	G07F 17/326
							463/16
				2008/0146331 A1 *	6/2008	Nordman	G07F 17/32
							463/31
				2008/0227530 A1 *	9/2008	LeMay	G07F 17/3211
							463/22
				2012/0115563 A1 *	5/2012	Kido	G07F 17/3262
							463/17
				2012/0122545 A1	5/2012	Watkins	

* cited by examiner

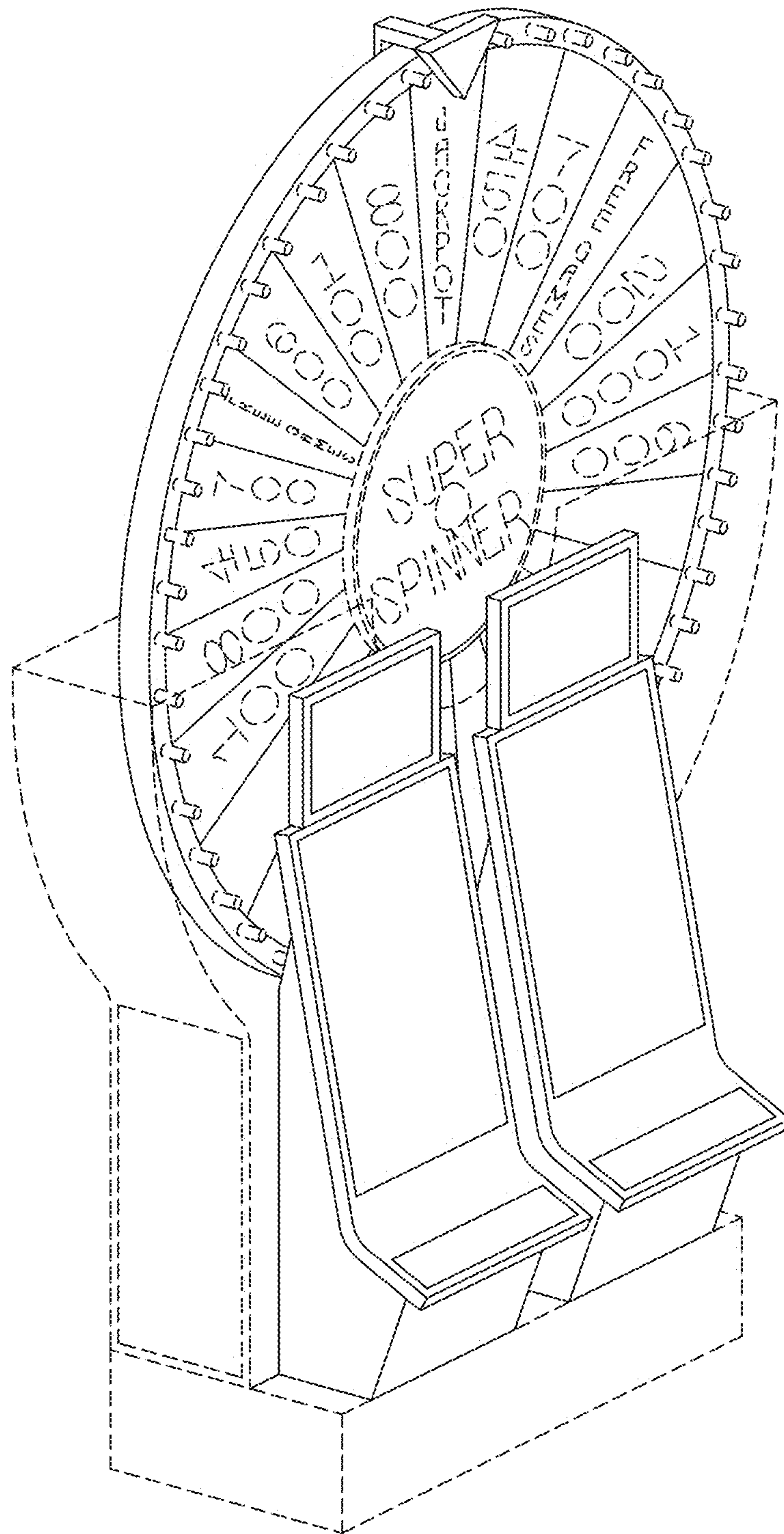


FIG. 1

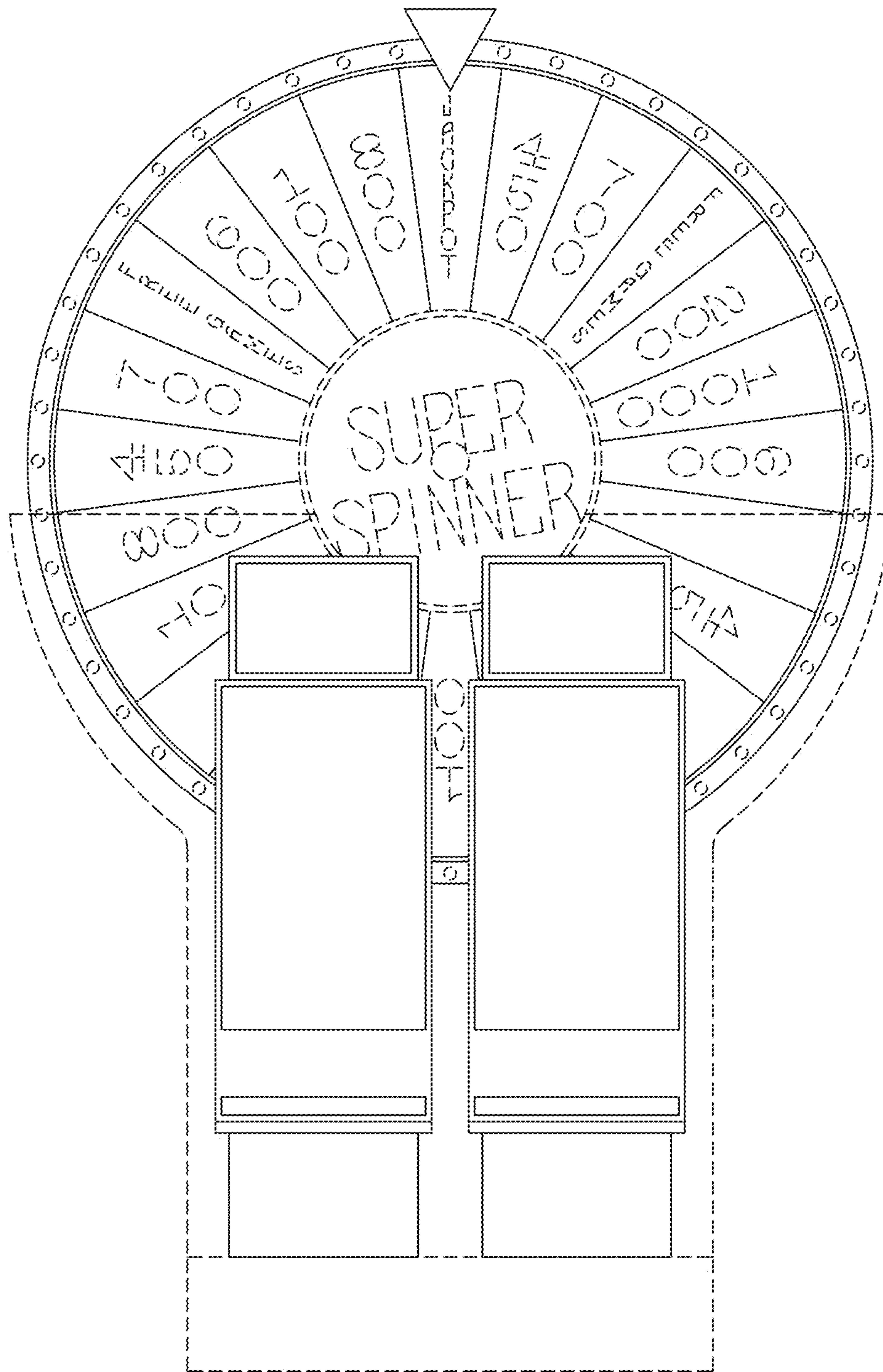


FIG. 2

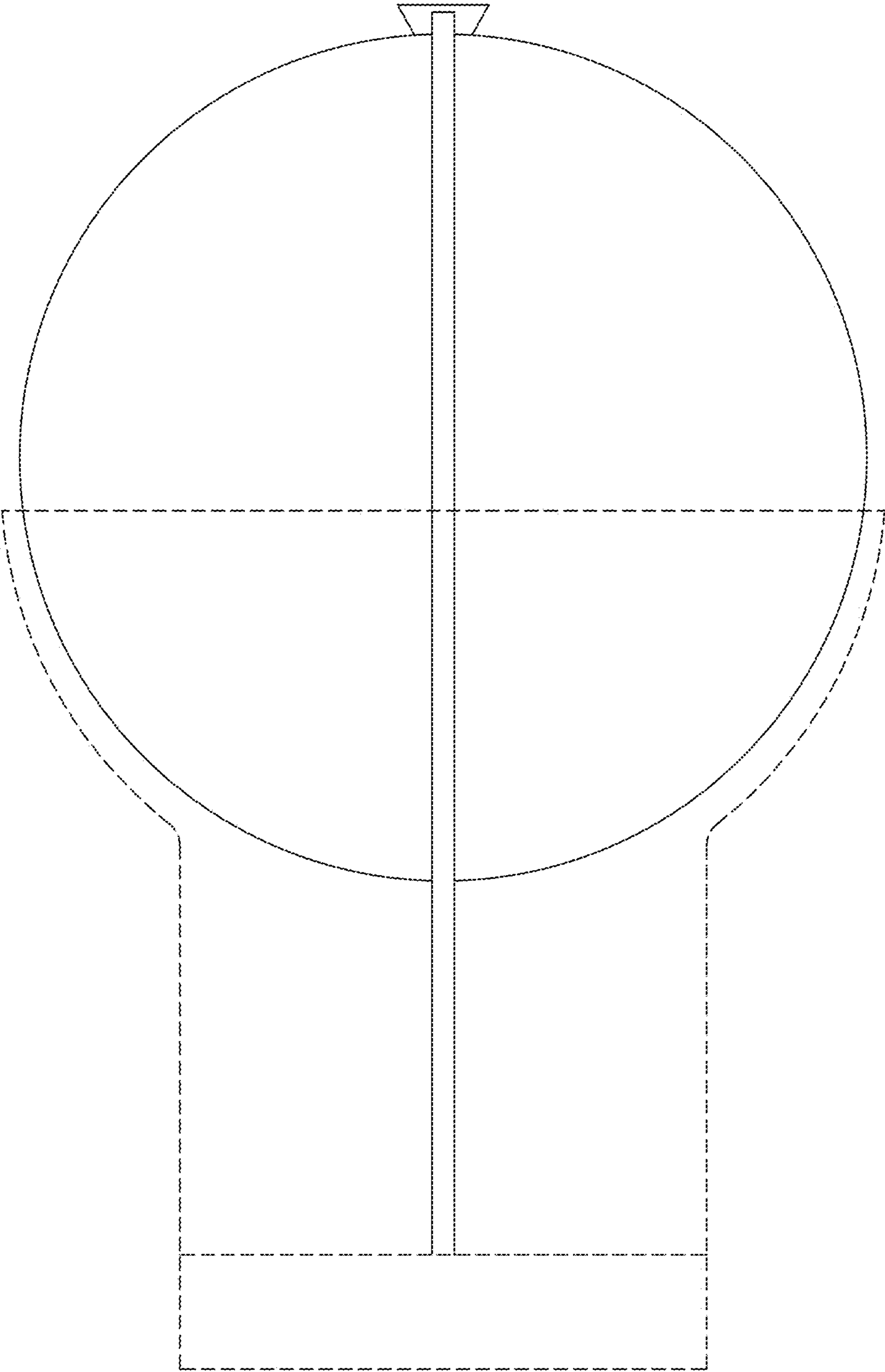


FIG. 3

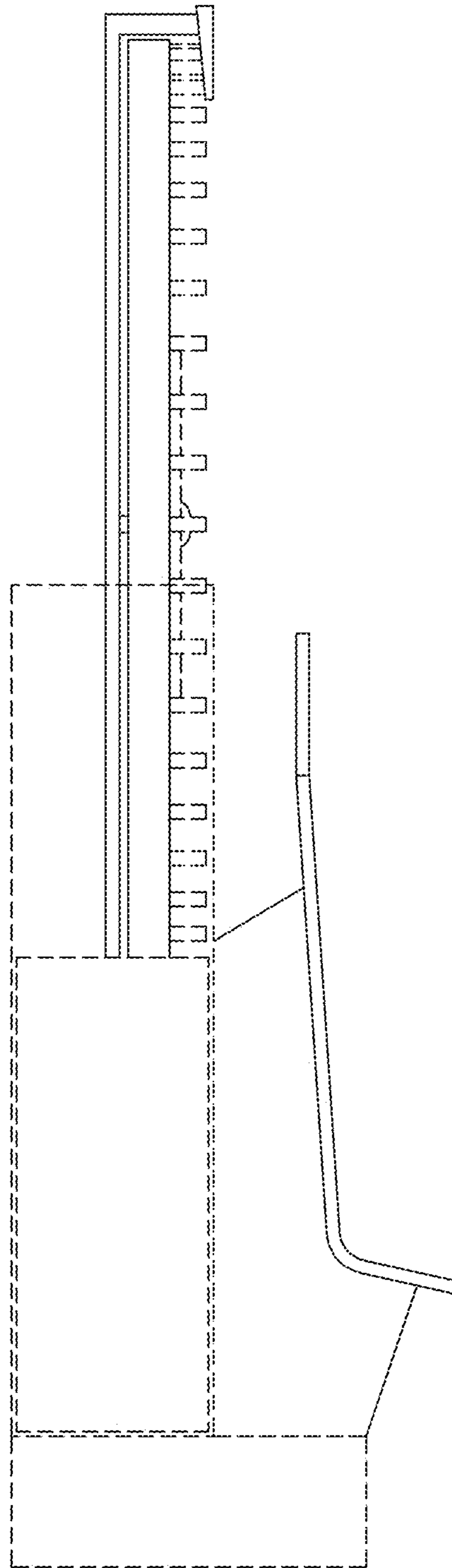


FIG. 4

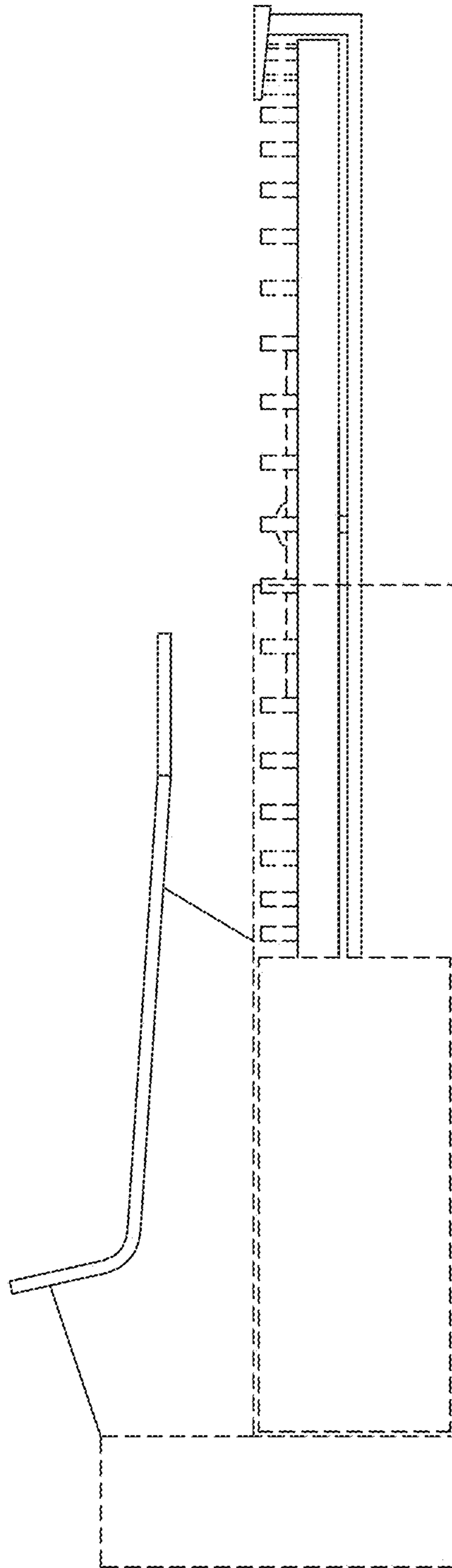


FIG. 5

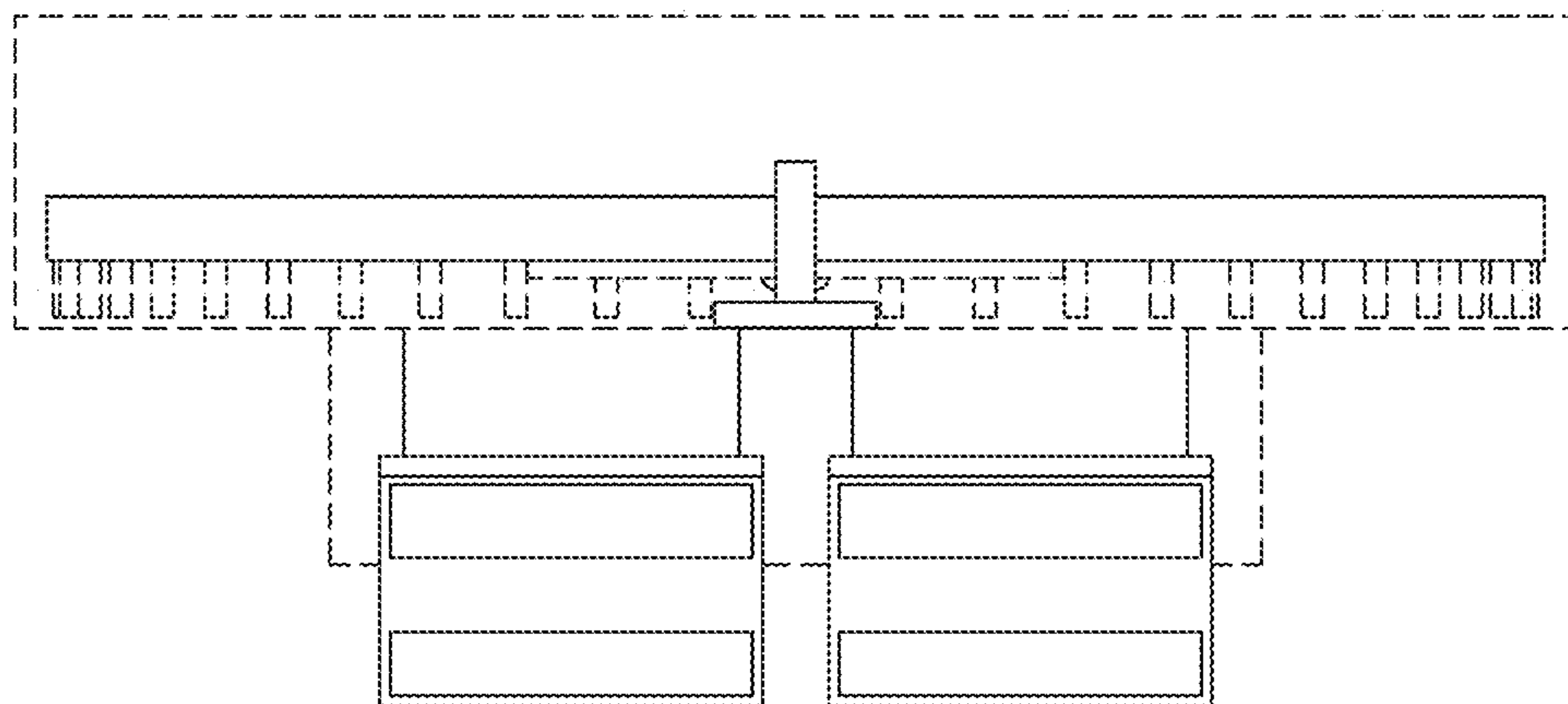


FIG. 6

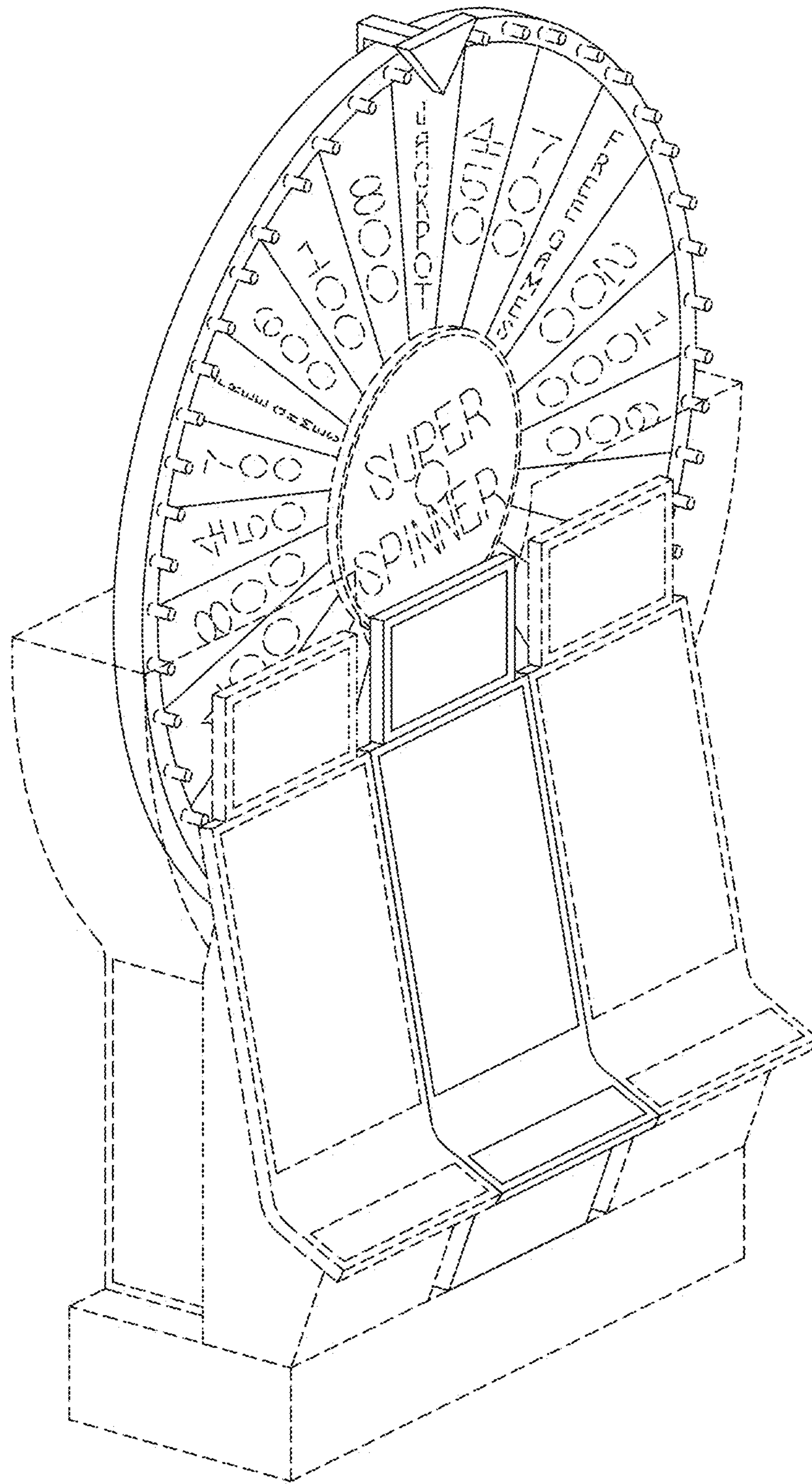


FIG. 7

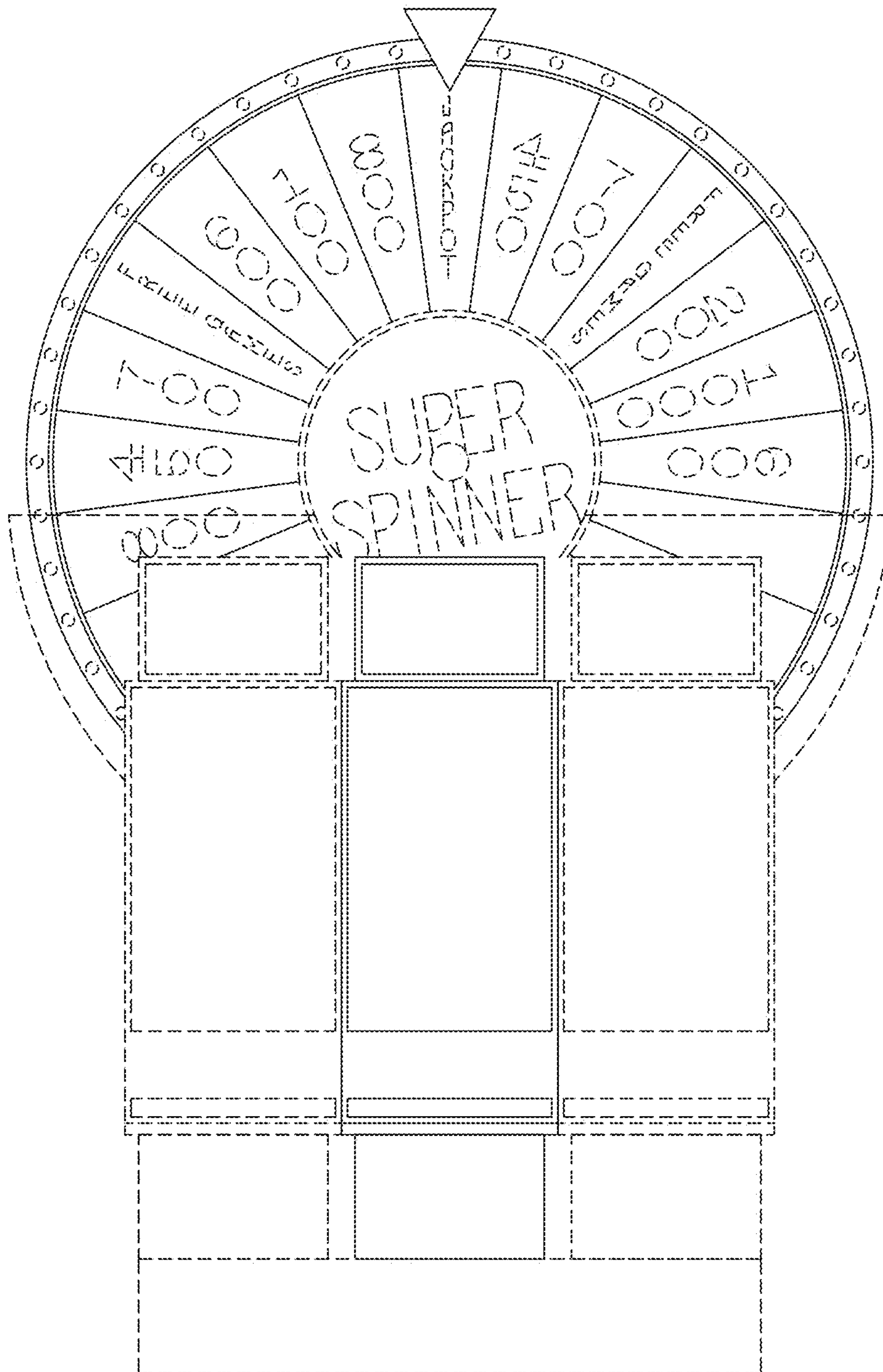


FIG. 8

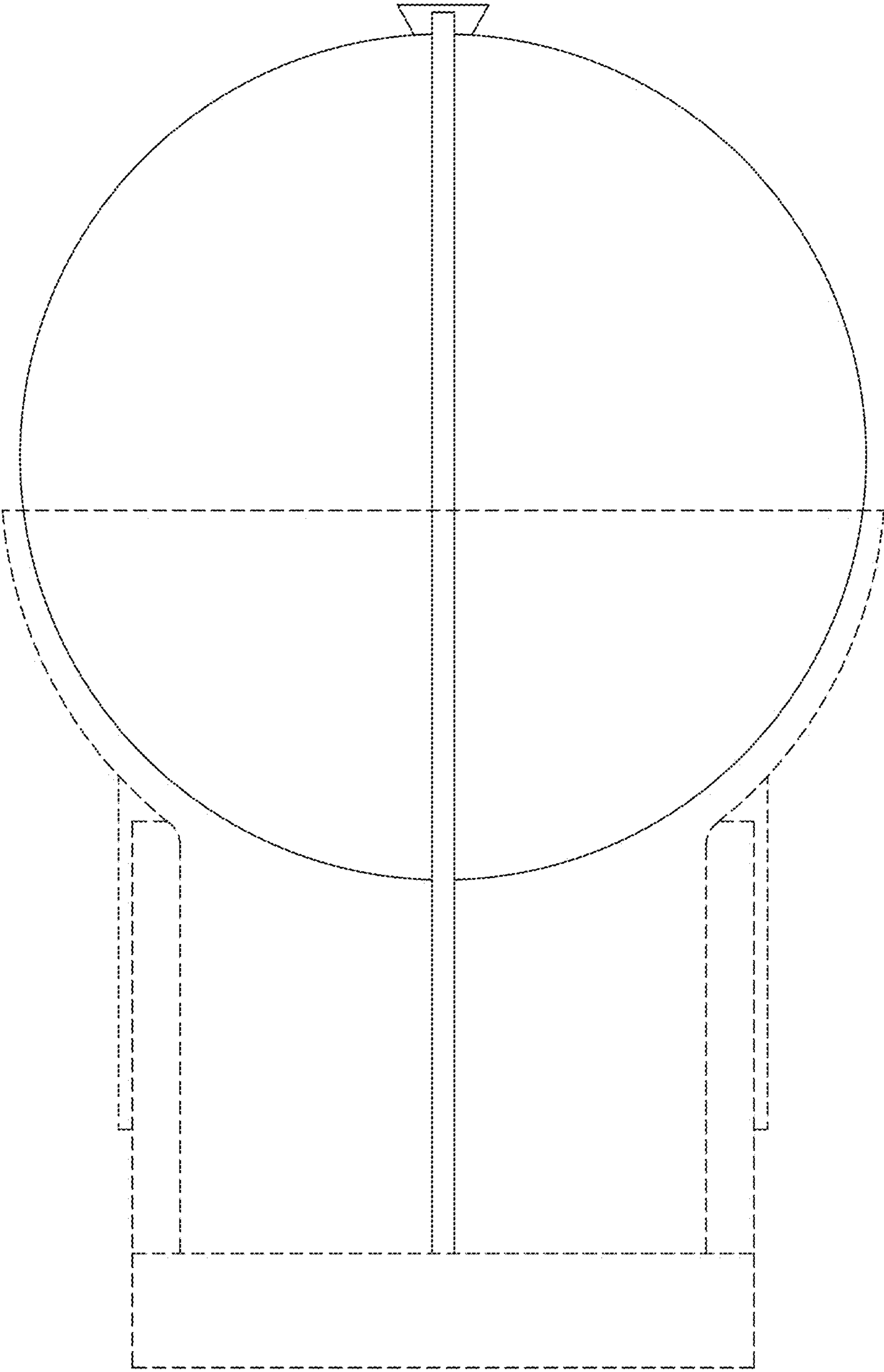


FIG. 9

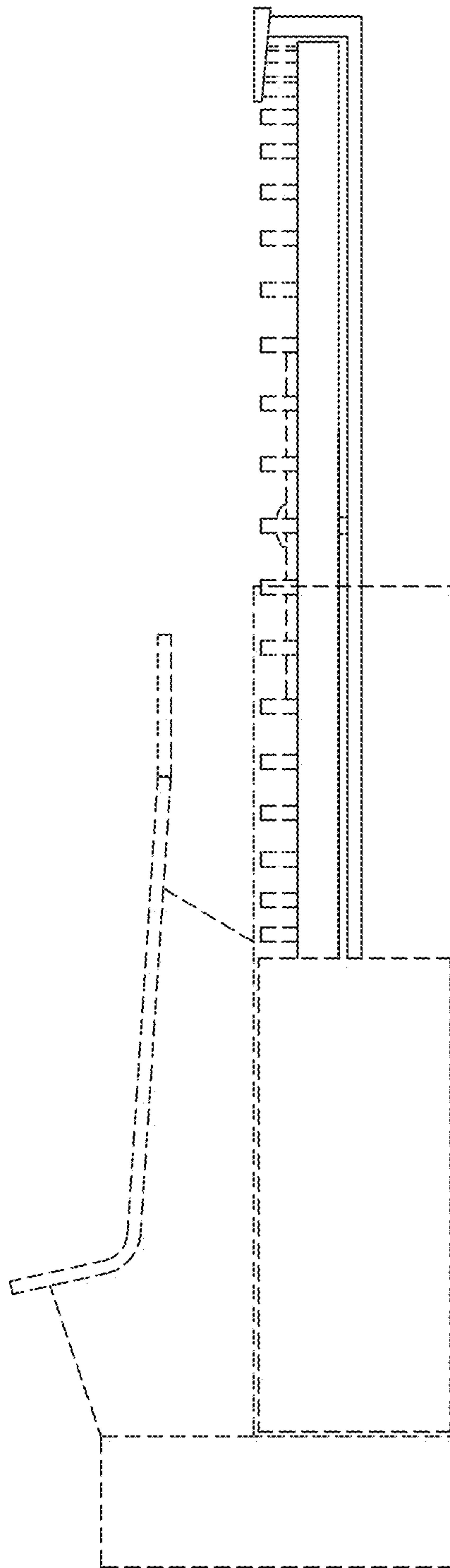


FIG. 10

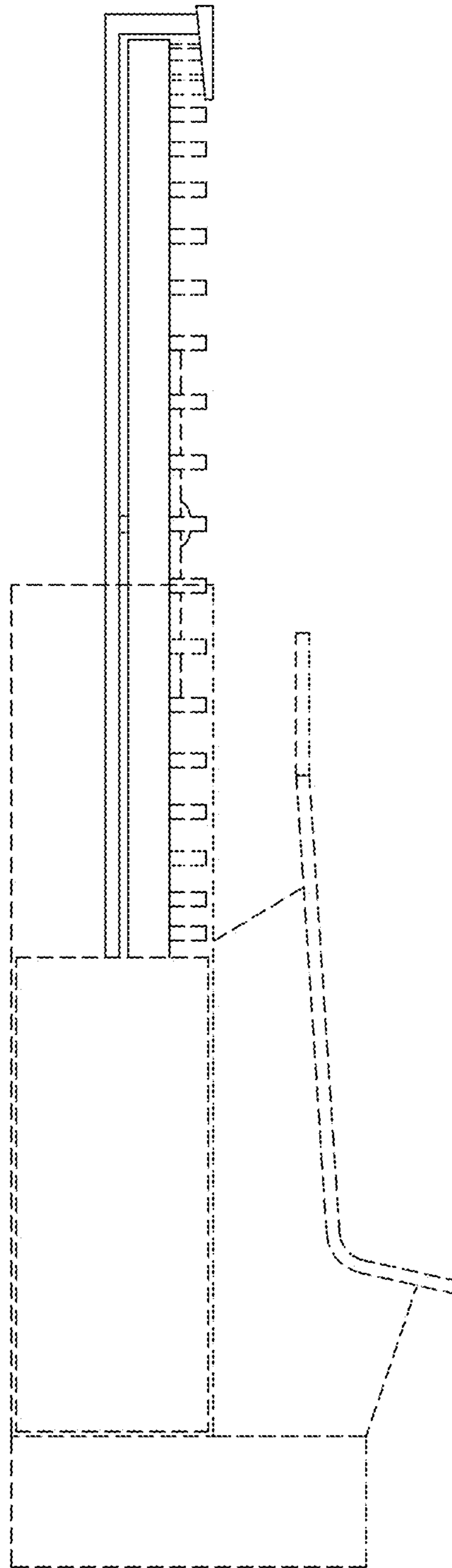


FIG. 11

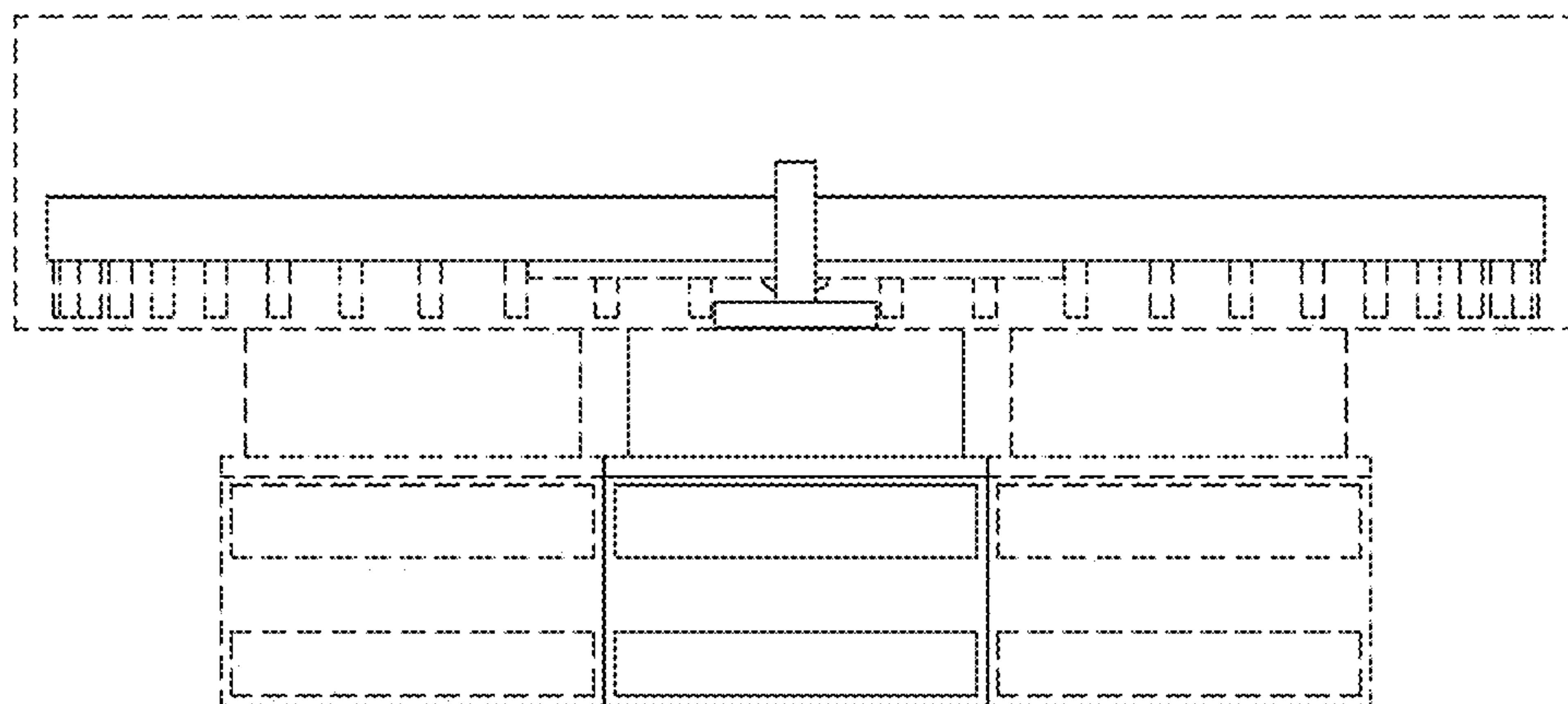


FIG. 12