



US00D914099S

(12) **United States Design Patent**
Barlet et al.

(10) **Patent No.:** **US D914,099 S**

(45) **Date of Patent:** **** Mar. 23, 2021**

(54) **FLUSH MOUNTED GAME CONTROLLER
HOLSTER**

(71) Applicant: **The AbleGamers Foundation, Inc.,**
Kearneysville, WV (US)

(72) Inventors: **Mark Barlet, Kearneysville, WV (US);**
Jessie Hall, Kearneysville, WV (US);
Mark Benjamin Greenspan,
Kearneysville, WV (US)

(73) Assignee: **The AbleGamers Foundation, Inc.,**
Kearneysville, WV (US)

(**) Term: **15 Years**

(21) Appl. No.: **29/694,132**

(22) Filed: **Jun. 7, 2019**

(51) **LOC (13) Cl.** **21-01**

(52) **U.S. Cl.**
USPC **D21/333**

(58) **Field of Classification Search**
USPC D21/332, 333, 349; D13/253, 358, 375,
D13/381, 382, 432, 447, 484.1; D14/107,
D14/108, 109, 110
CPC A63F 13/02; A63F 13/98; A63F 13/08
See application file for complete search history.

(56) **References Cited**

U.S. PATENT DOCUMENTS

D571,720 S *	6/2008	Yang	D13/107
D582,486 S *	12/2008	Ashida	D14/434
D684,957 S *	6/2013	Smith	D14/242
D685,380 S *	7/2013	Richter	D14/447
D692,011 S *	10/2013	Wu	D14/447
D699,791 S *	2/2014	Sugino	D21/333
D811,406 S *	2/2018	MacDonald	D14/432
D826,154 S *	8/2018	Ceravalo	D13/110
D830,364 S *	10/2018	Jhun	D14/432
D832,258 S *	10/2018	Jhun	D14/432

D845,893 S *	4/2019	Kim	D13/107
D864,962 S *	10/2019	Jhun	D14/432
D865,661 S *	11/2019	Lin	D13/107
D865,770 S *	11/2019	Igbo-Nwoke	D14/447
D866,564 S *	11/2019	Lee	D14/447
D871,323 S *	12/2019	Cantin	D13/108
D872,078 S *	1/2020	Wu	D14/358
D875,834 S *	2/2020	Tien	D21/333
D876,442 S *	2/2020	McCracken	H04R 5/04 D14/434
D884,606 S *	5/2020	Takahashi	D13/107
D885,331 S *	5/2020	Suzuki	D13/108
D896,748 S *	9/2020	Fonzo	D13/107
2008/0230987 A1 *	9/2008	Jackson	A63F 13/02 273/148 B

(Continued)

Primary Examiner — Sandra Snapp

Assistant Examiner — Mehri Bajoul

(74) *Attorney, Agent, or Firm* — Alston & Bird LLP

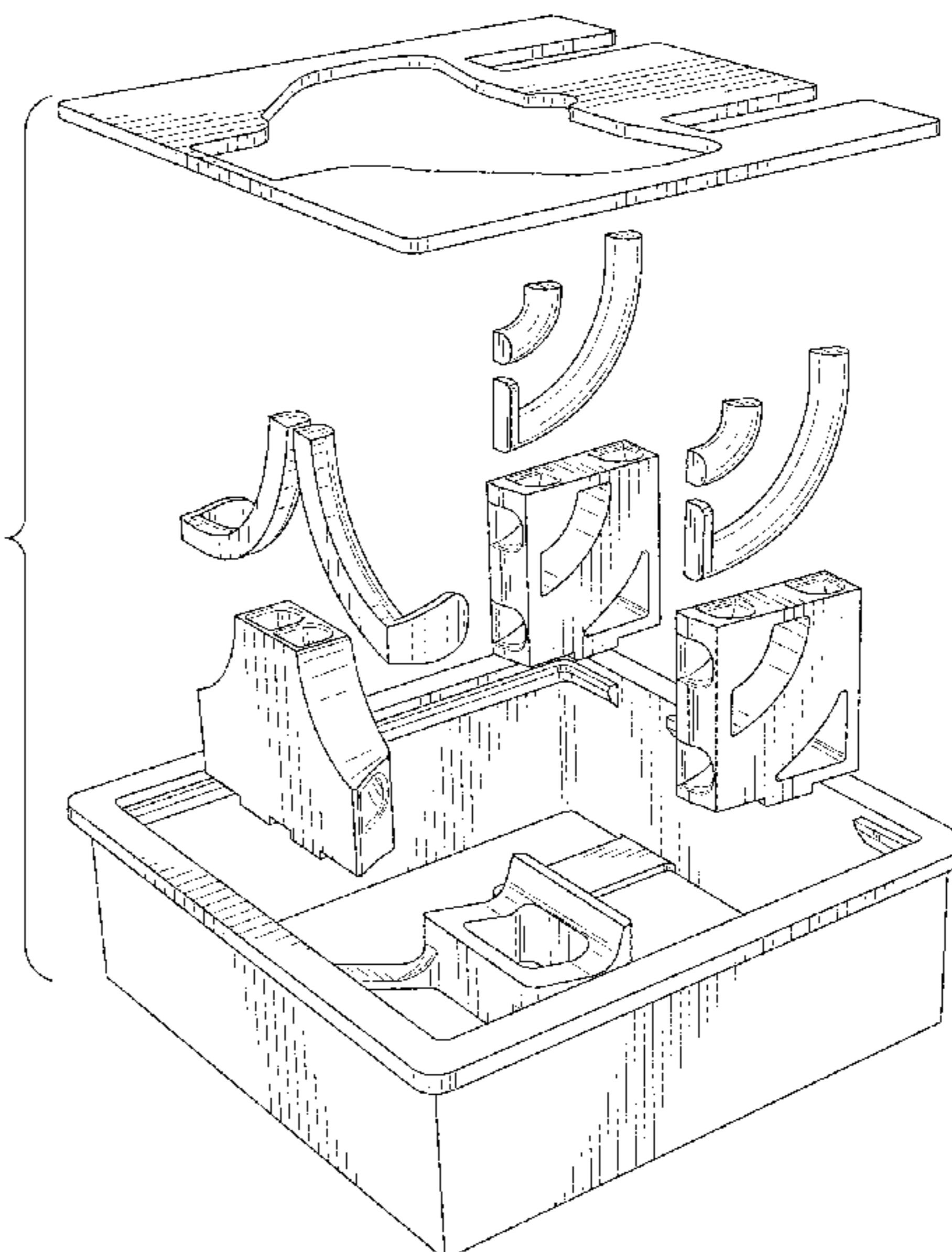
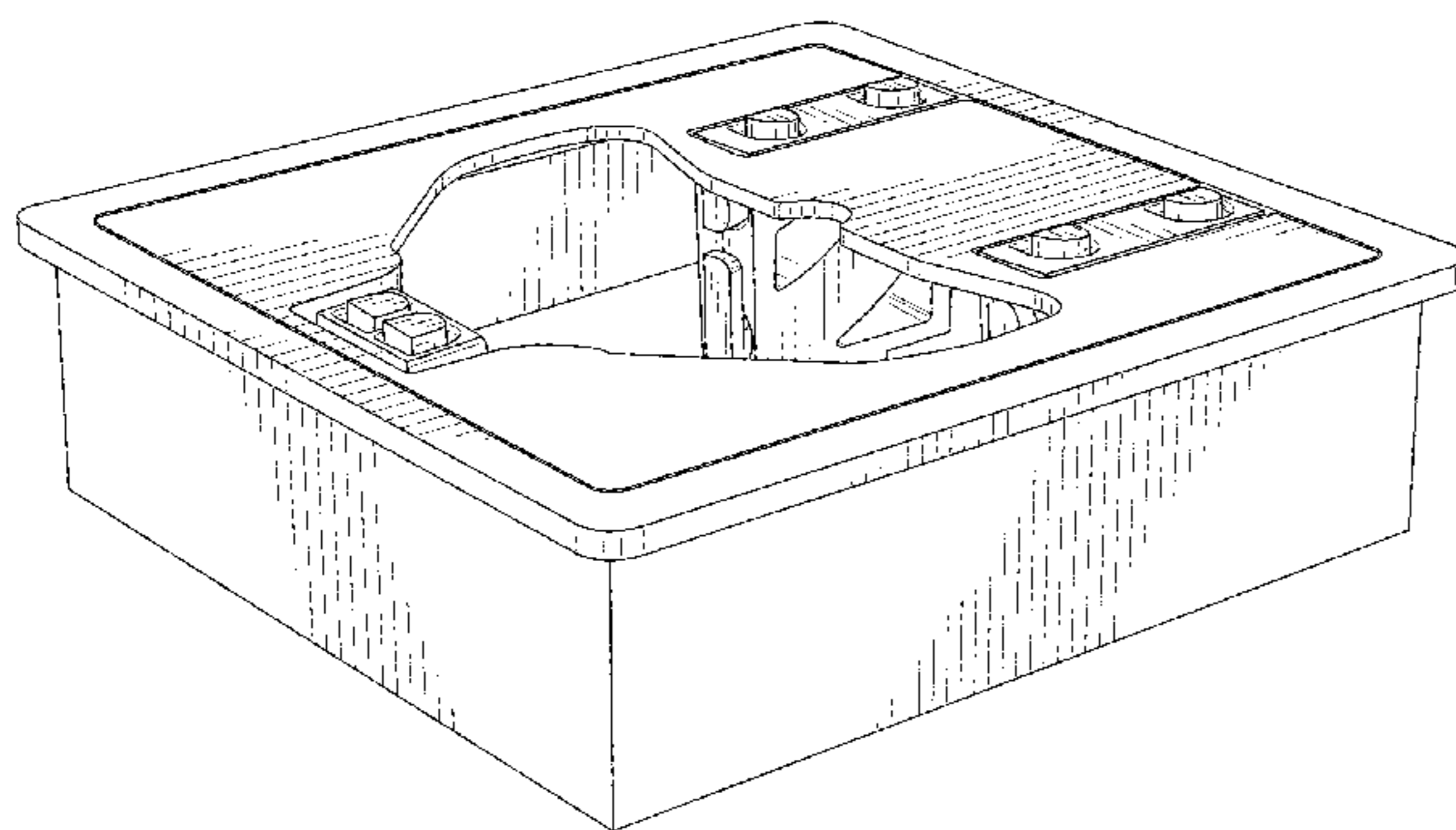
(57) **CLAIM**

We claim the ornamental design for a flush mounted game controller holster, as shown and described.

DESCRIPTION

FIG. 1 is a perspective view of a flush mounted game controller holster showing our new design;
FIG. 2 is a top plan view thereof;
FIG. 3 is a bottom plan view thereof;
FIG. 4 is a front elevation view thereof;
FIG. 5 is a rear elevation view thereof;
FIG. 6 is a right side elevation view thereof;
FIG. 7 is a left side elevation view thereof;
FIG. 8 is a front cross-sectional view taken along the line 8-8 in FIG. 2;
FIG. 9 is a right cross-sectional view taken along the line 9-9 in FIG. 2; and,
FIG. 10 is an exploded view of the flush mounted game controller holster of FIG. 1.

1 Claim, 7 Drawing Sheets



(56)

References Cited

U.S. PATENT DOCUMENTS

2009/0015509 A1* 1/2009 Gottwald H01Q 21/065
343/878
2010/0079972 A1* 4/2010 Chen H05K 9/0032
361/818
2014/0265753 A1* 9/2014 Soper A47B 21/06
312/22
2018/0278071 A1* 9/2018 Murakami H01M 10/443

* cited by examiner

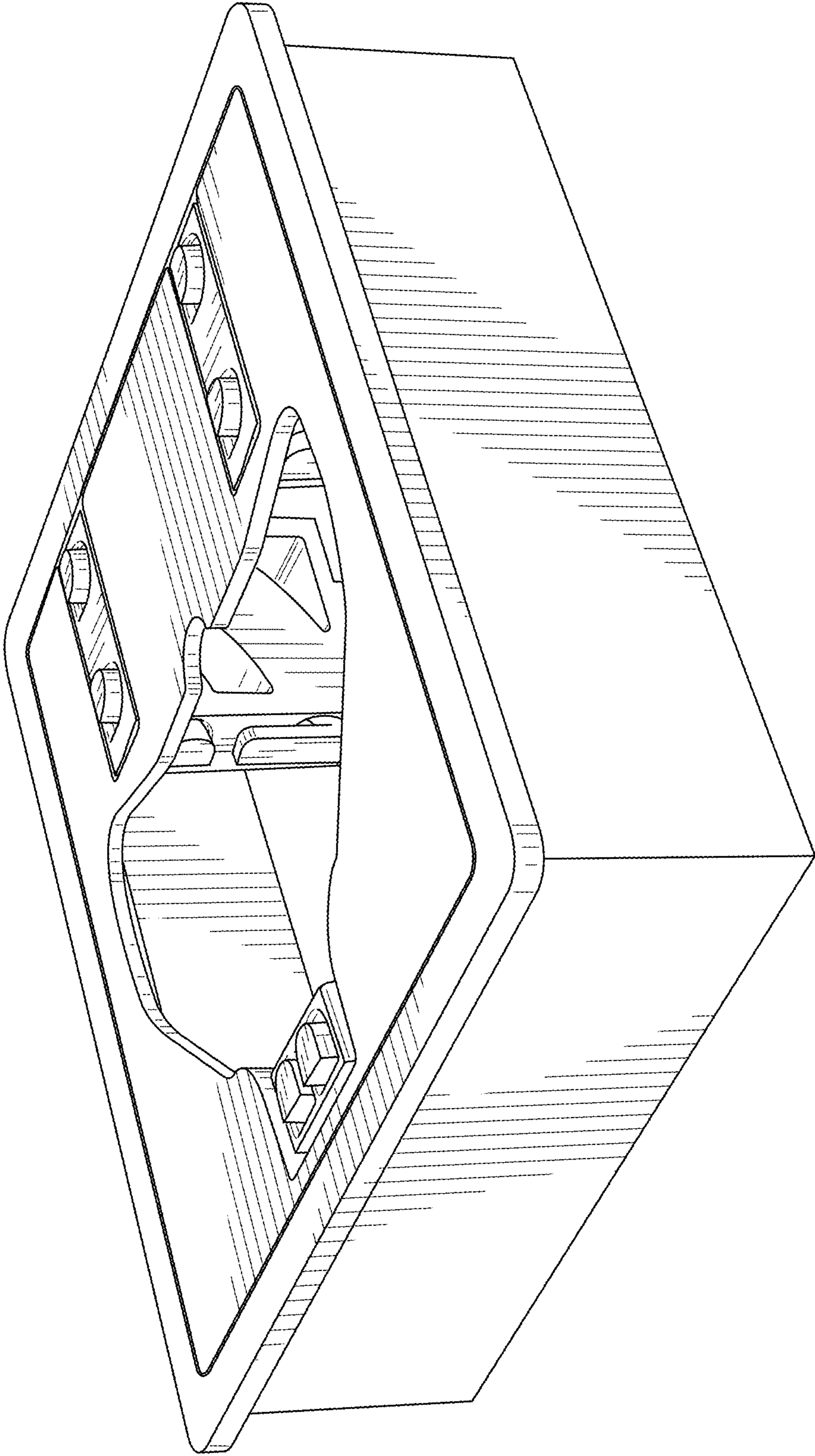


FIG. 1

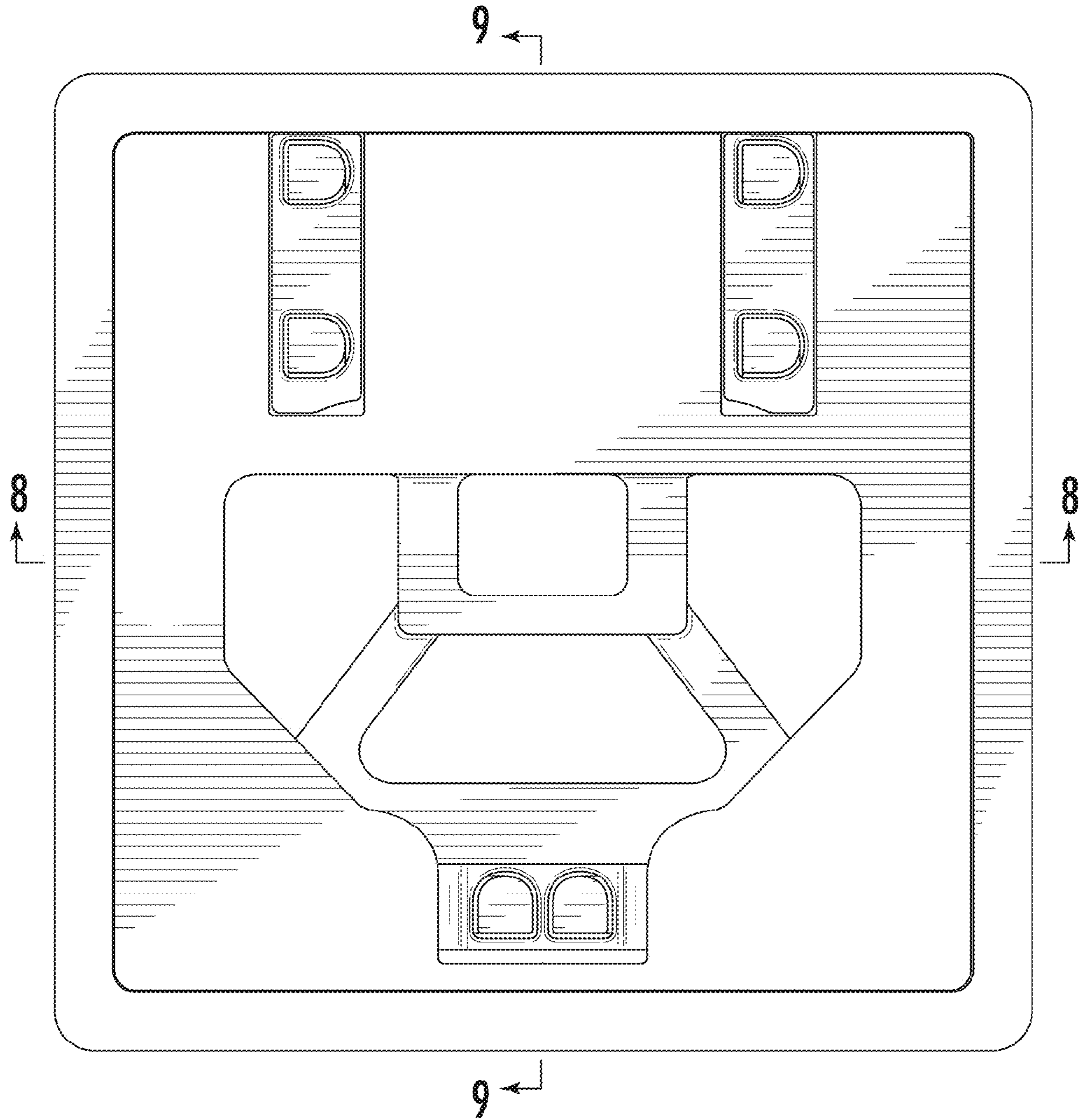


FIG. 2

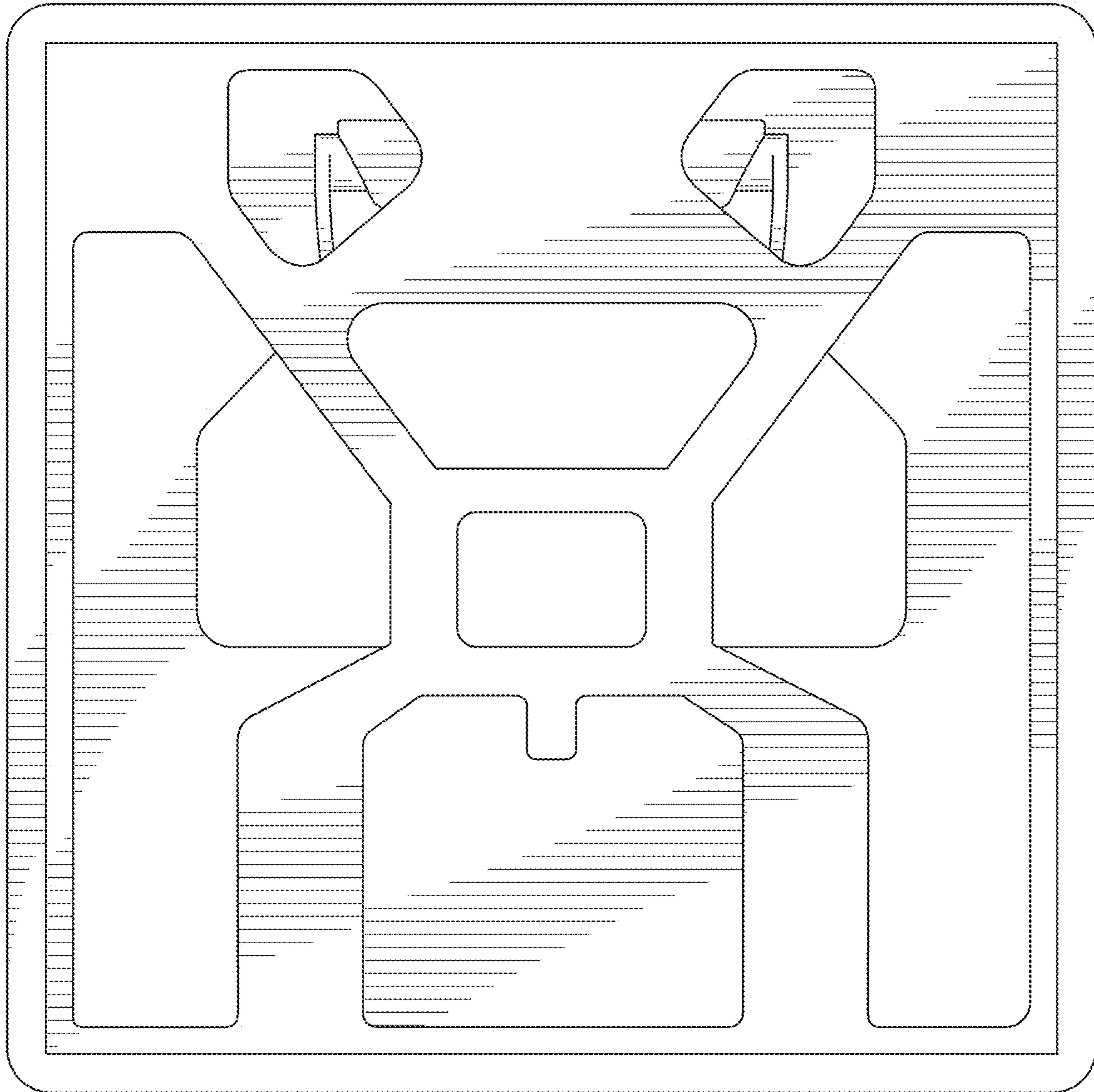


FIG. 3

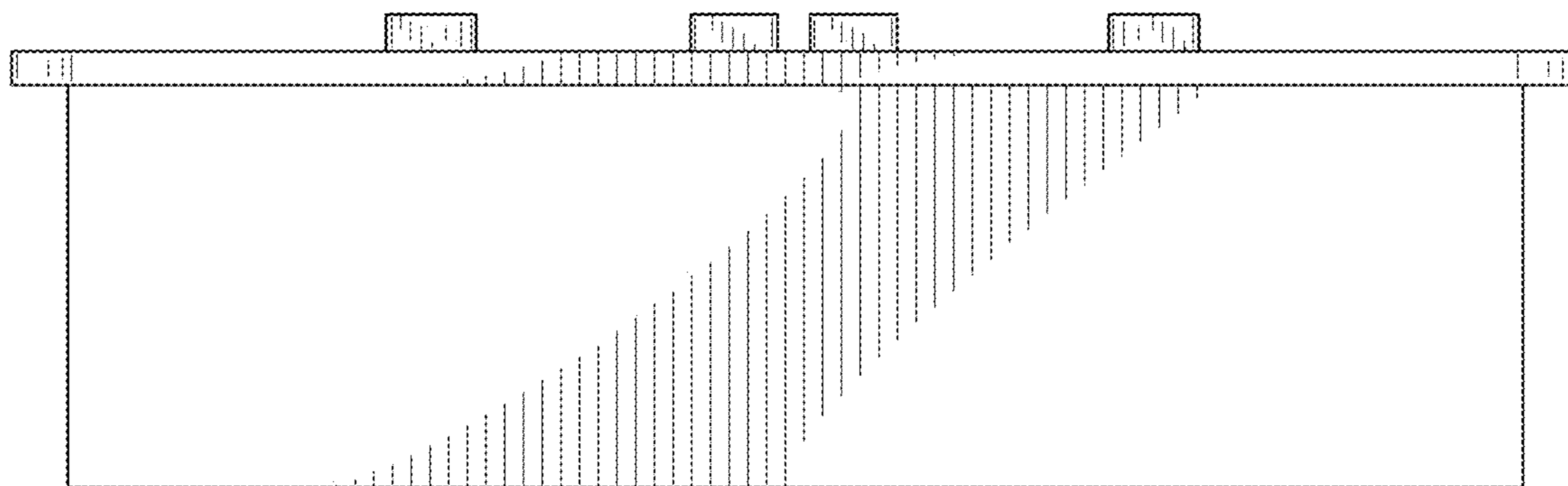


FIG. 4

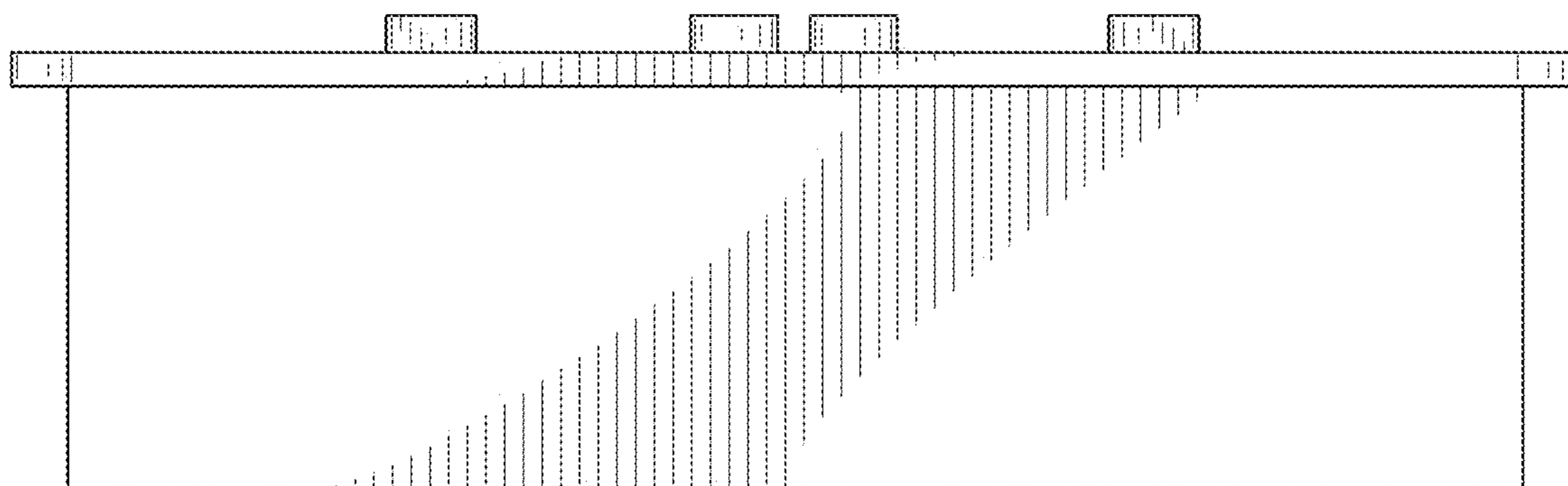


FIG. 5

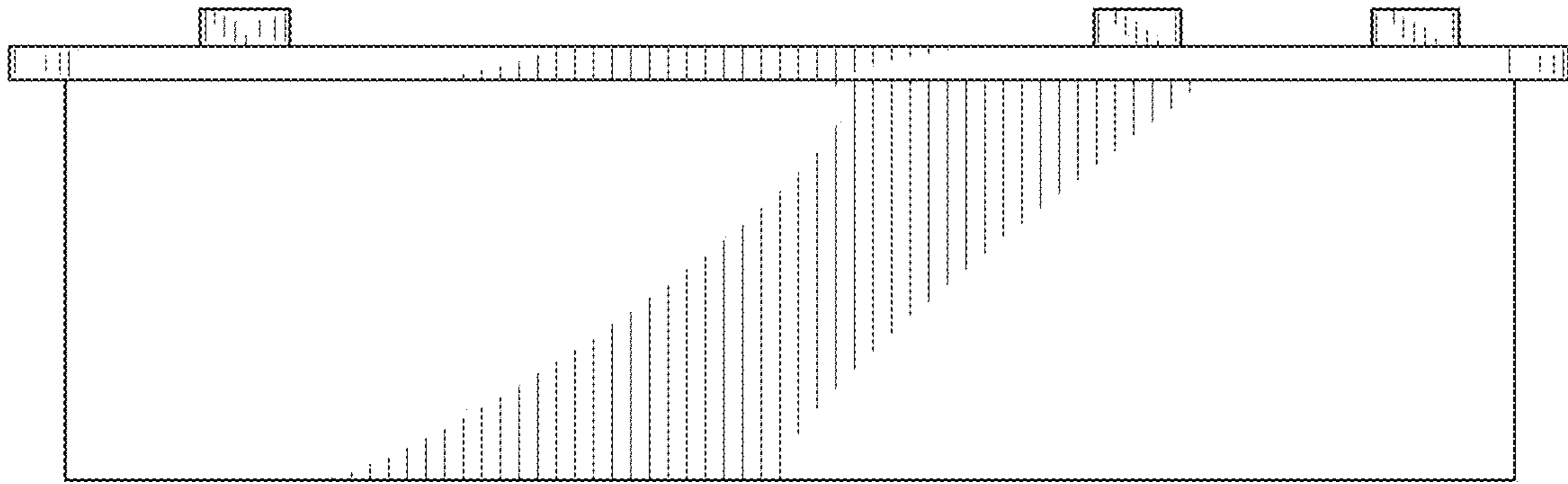


FIG. 6

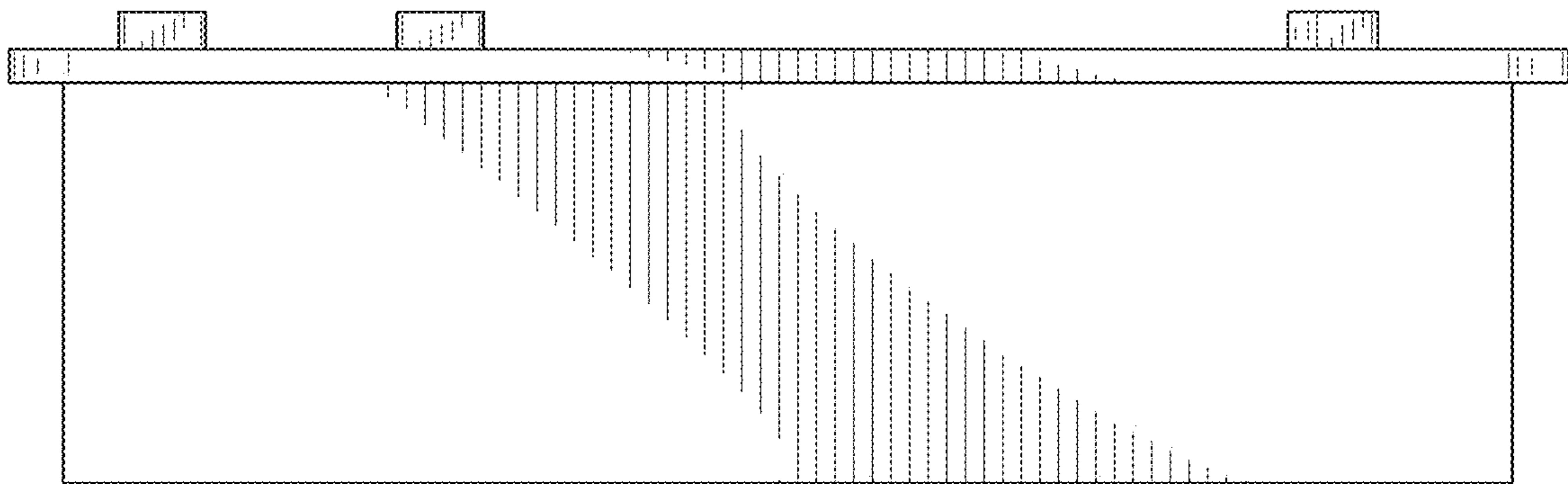


FIG. 7

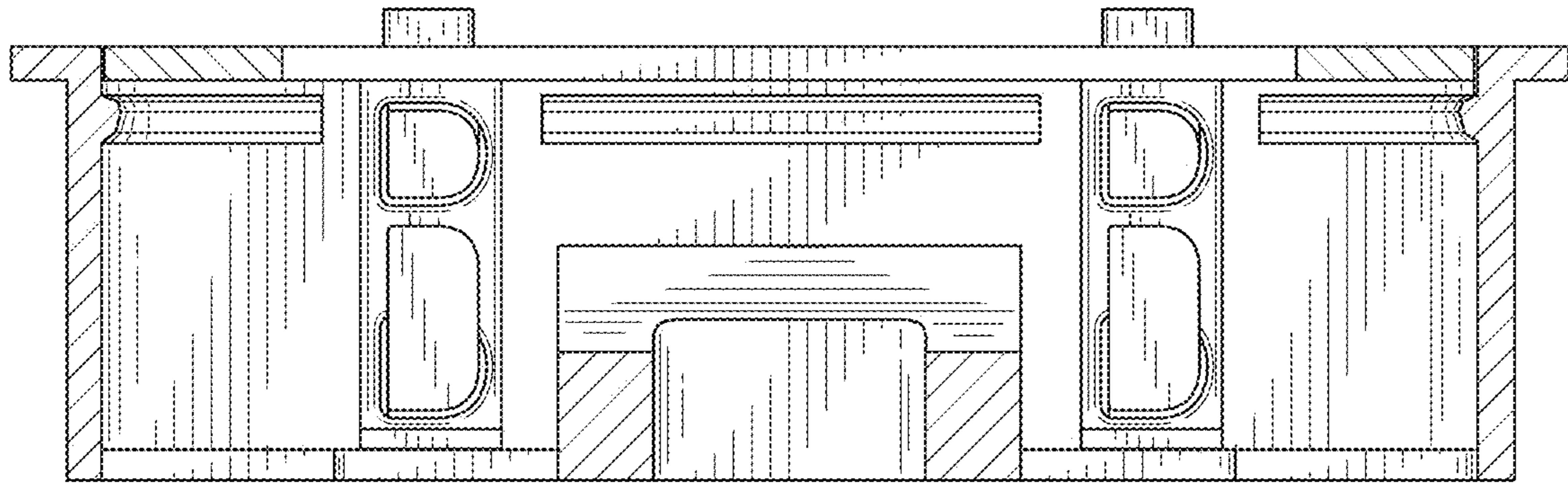


FIG. 8

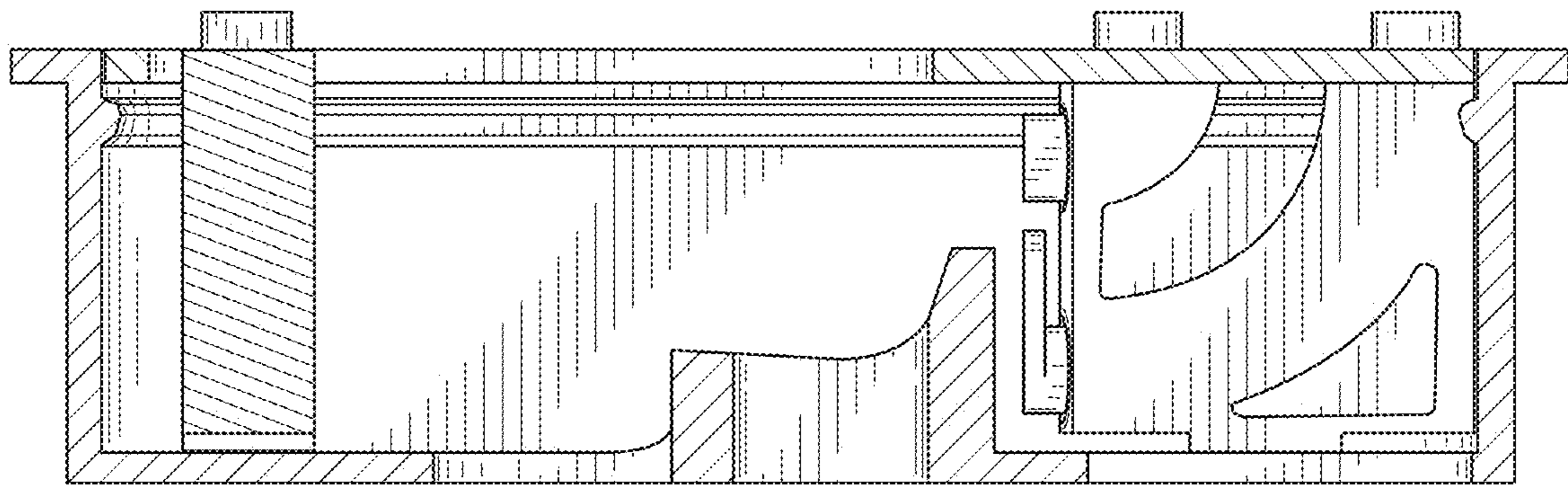


FIG. 9

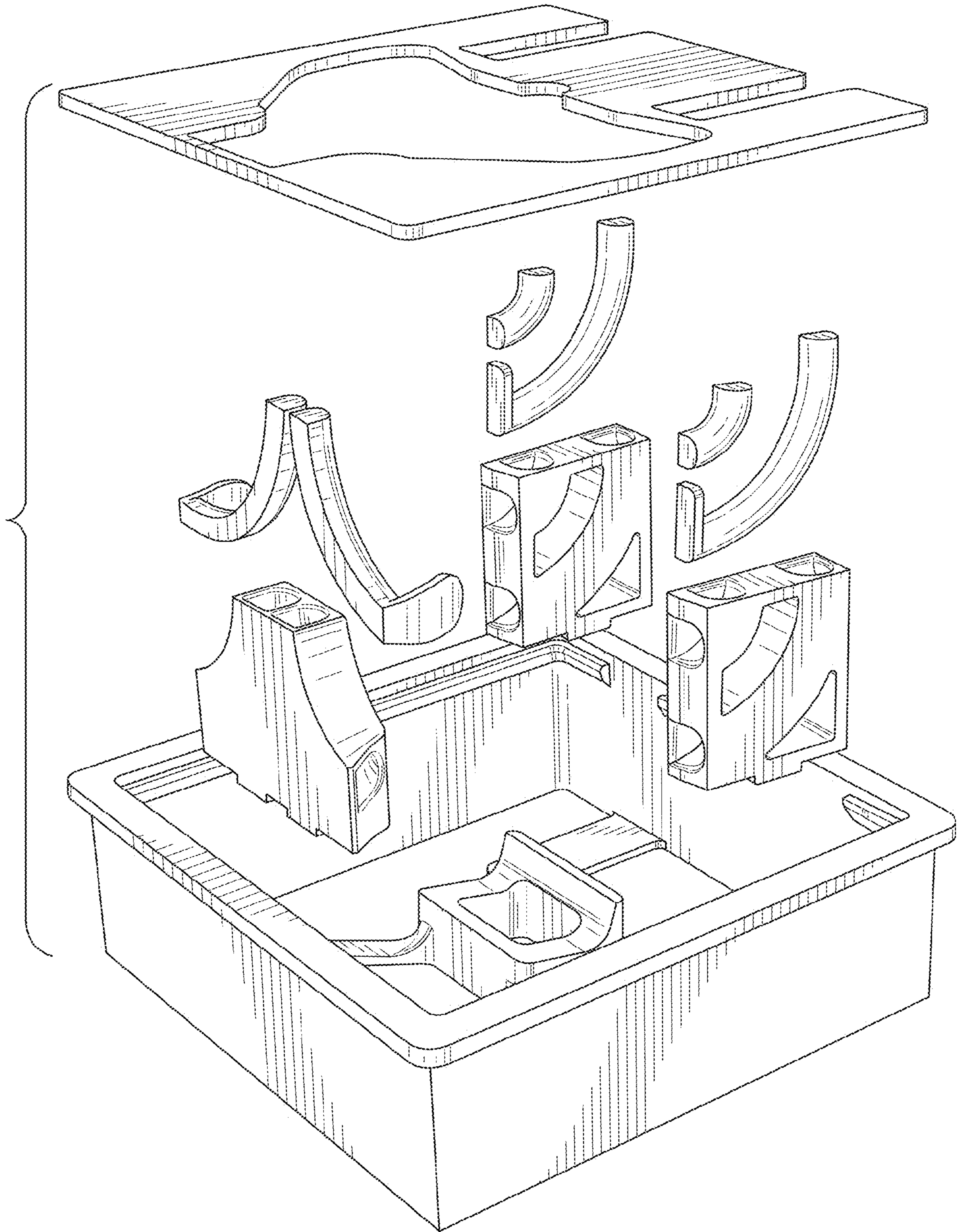


FIG. 10