



US00D914098S

(12) **United States Design Patent**
Phy et al.

(10) **Patent No.:** **US D914,098 S**
(45) **Date of Patent:** **** Mar. 23, 2021**

(54) **PRICE TAG MOLDING**

(71) Applicant: **Nashville Wire Products Manufacturing Company, LLC**,
Nashville, TN (US)

(72) Inventors: **John Nicholas Phy**, Pegram, TN (US);
William Jacob Johnson, Spring Hill, TN (US); **Jammie Todd Allbert**, White Bluff, TN (US); **James Thomas Baggett**, Clarksville, TN (US)

(73) Assignee: **Nashville Wire Products Manufacturing Company, LLC**,
Nashville, TN (US)

(**) Term: **15 Years**

(21) Appl. No.: **29/686,038**

(22) Filed: **Apr. 2, 2019**

(51) **LOC (13) Cl.** **20-03**

(52) **U.S. Cl.**
USPC **D20/44**

(58) **Field of Classification Search**
USPC D6/325, 328; D8/321, 349, 354, 355,
D8/366, 371, 373, 380, 381, 400;
D20/10, 42-44, 99; D25/119
CPC G09F 7/16; G09F 2007/122; G09F 13/00;
G09F 13/04; G09F 13/06; G09F 13/18;
G09F 13/22; G09F 13/24; G09F 13/26;
G09F 2013/1895; G09F 15/00; B29C
65/52; B29C 65/56; B23P 19/00; B32B
37/02; B32B 38/00

See application file for complete search history.

(56) **References Cited**

U.S. PATENT DOCUMENTS

D141,048 S * 5/1945 Ketchum, Jr. D25/119
D141,049 S * 5/1945 Ketchum, Jr. D25/119
D141,050 S * 5/1945 Ketchum, Jr. D25/119
D201,673 S * 7/1965 Stevens D25/119

6,332,547 B1 12/2001 Shaw et al.
D473,662 S * 4/2003 Shaw D25/119
6,898,885 B1 5/2005 Nagel
7,325,348 B2 2/2008 Mueller et al.
D645,095 S * 9/2011 Garfinkle D20/44
D853,589 S * 7/2019 Jackson D25/119
D859,610 S * 9/2019 Gori D23/267
D875,898 S * 2/2020 Gori D23/267
D899,632 S * 10/2020 Roberts D25/119

(Continued)

OTHER PUBLICATIONS

Co Pending Design U.S. Appl. No. 29/686,036, filed Apr. 2, 2019.
Co Pending Utility U.S. Appl. No. 16/372,574, filed Apr. 2, 2019.

Primary Examiner — Mary Ann Calabrese

Assistant Examiner — Catherine Ho

(74) *Attorney, Agent, or Firm* — Lucian Wayne Beavers;
Alex H. Huffstutter; Patterson Intellectual Property Law,
PC

(57) **CLAIM**

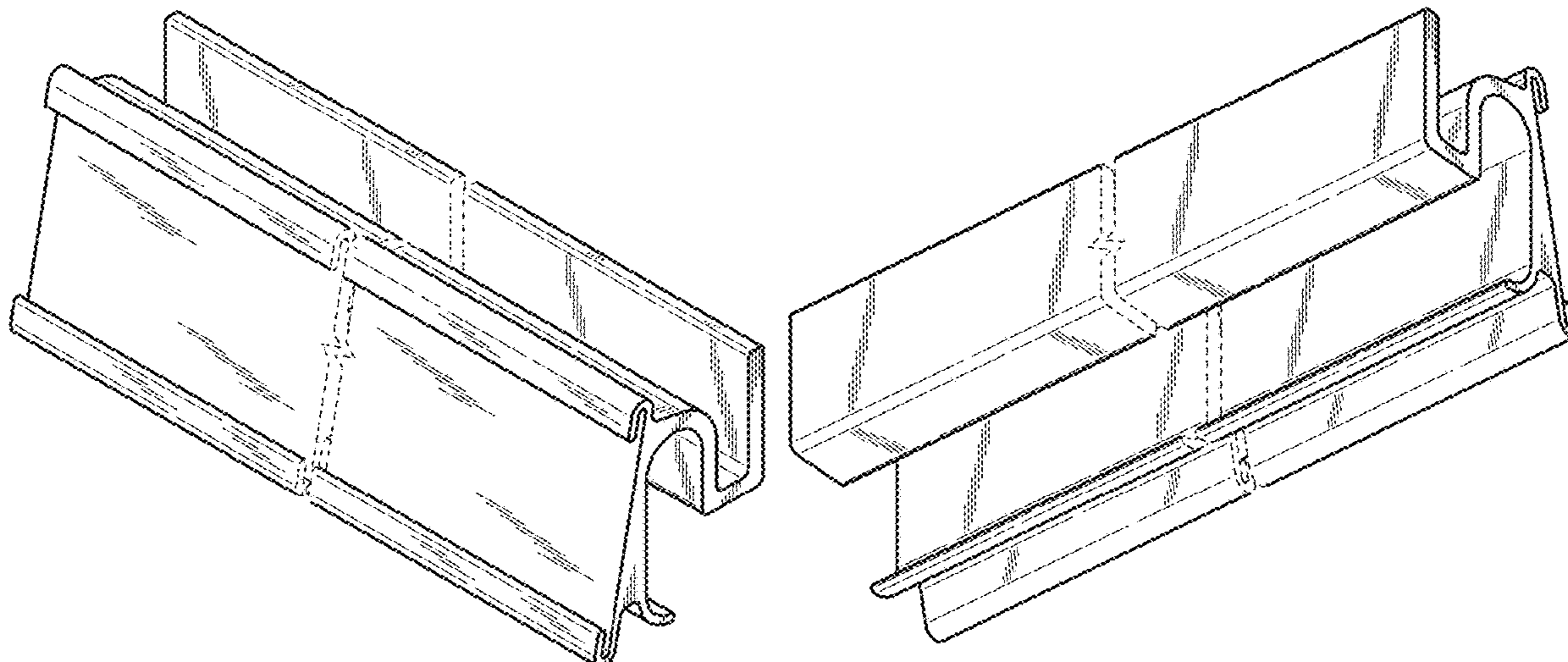
What is claimed is the ornamental design for a price tag molding, as shown and described.

DESCRIPTION

FIG. 1 is a front perspective view of a price tag molding, showing our new design;
FIG. 2 is a rear perspective view thereof;
FIG. 3 is a front elevation view thereof;
FIG. 4 is a right side elevation view thereof, the left side elevation view being a mirror image thereof;
FIG. 5 is a top plan view thereof;
FIG. 6 is a bottom plan view thereof; and,
FIG. 7 is a rear elevation view thereof.

The broken line portion of the drawings show a symbolic break that forms no part of the claimed design. The article is shown with a symbolic break in its length. The appearance of any portion of the article between the break lines forms no part of the claimed design.

1 Claim, 2 Drawing Sheets



(56)

References Cited

U.S. PATENT DOCUMENTS

D902,693 S * 11/2020 Freeman D8/349
2005/0133676 A1 * 6/2005 Brinkman A47F 5/0869
248/223.41
2008/0016740 A1 1/2008 Mitten et al.

* cited by examiner

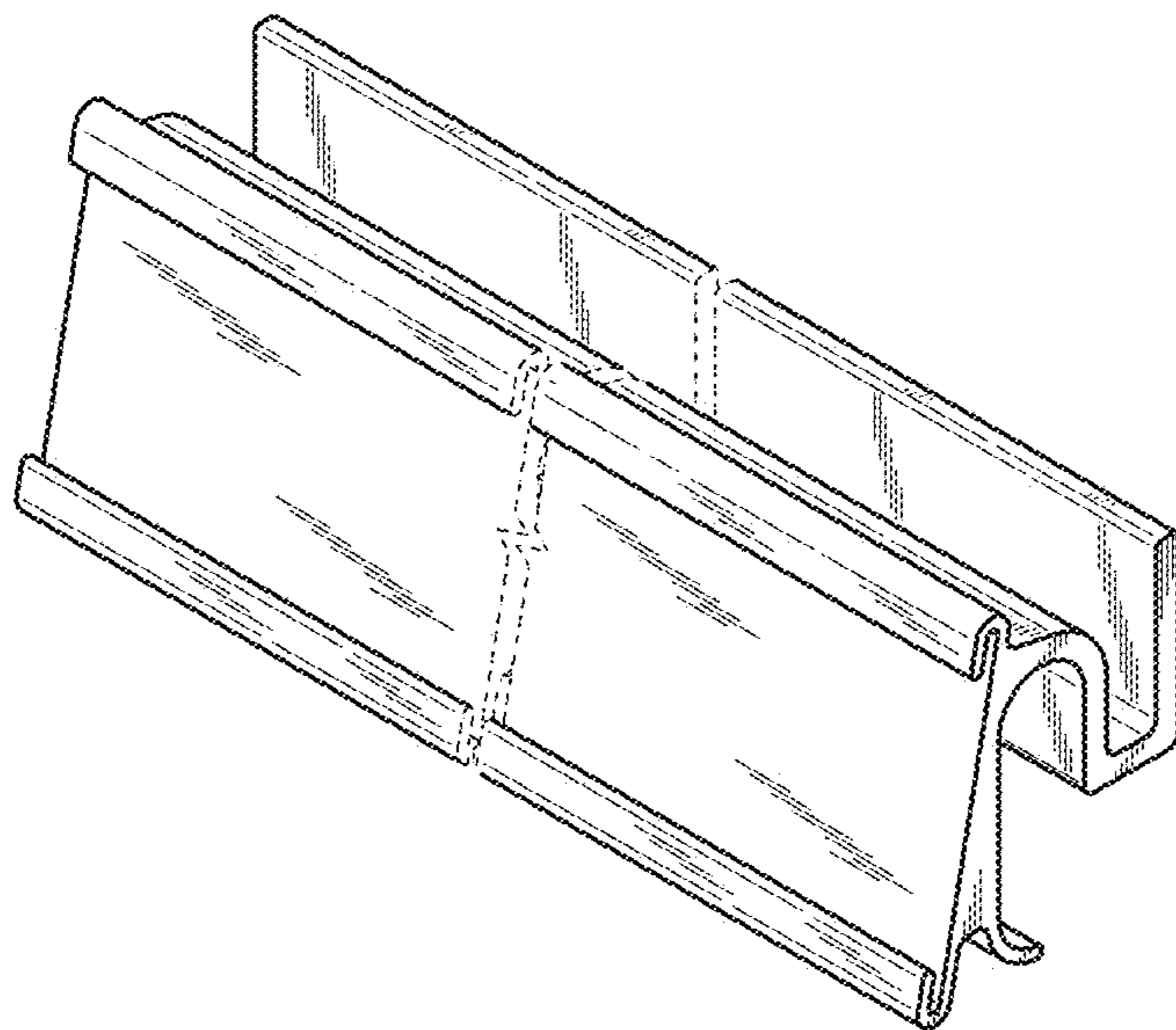


FIG. 1

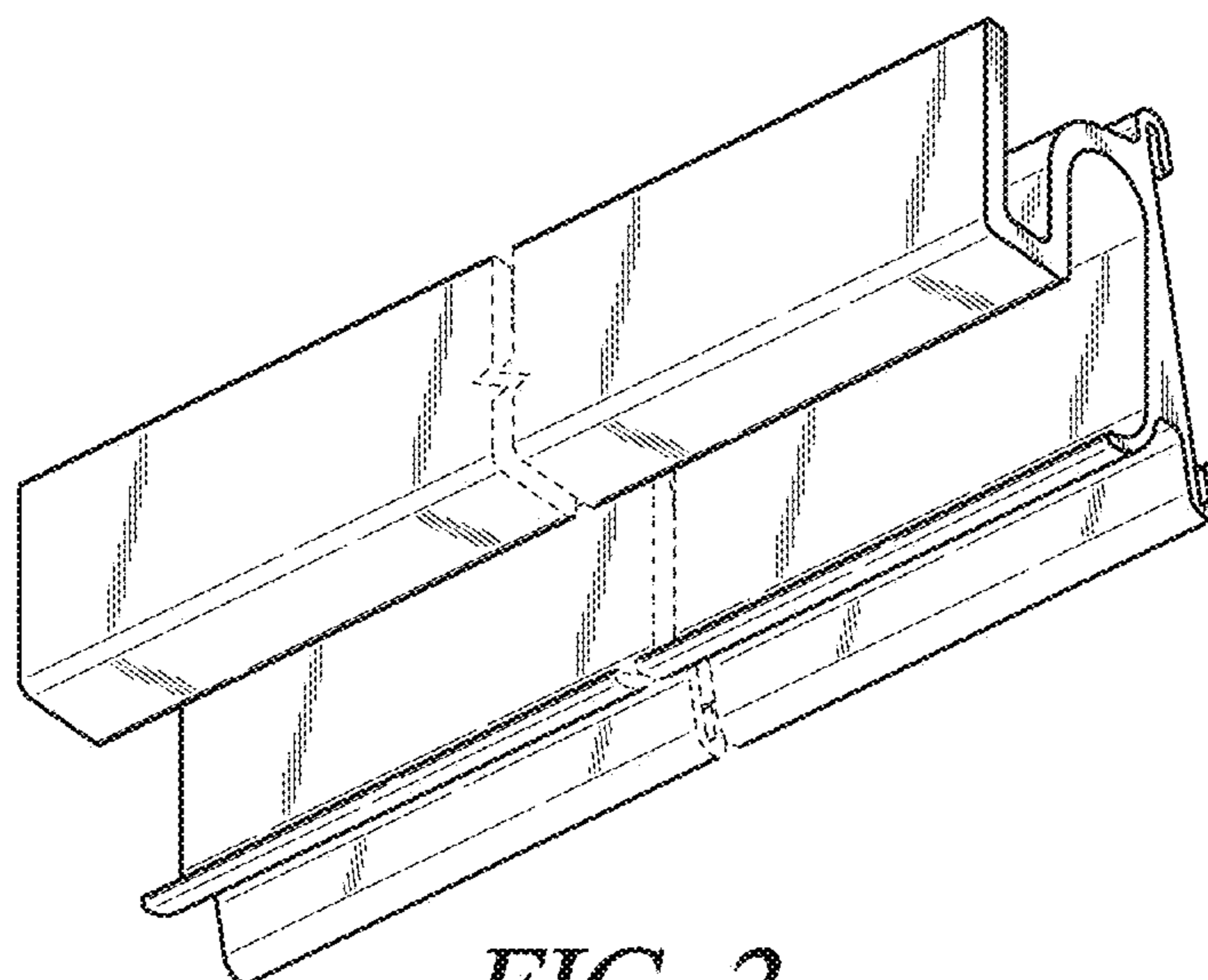


FIG. 2

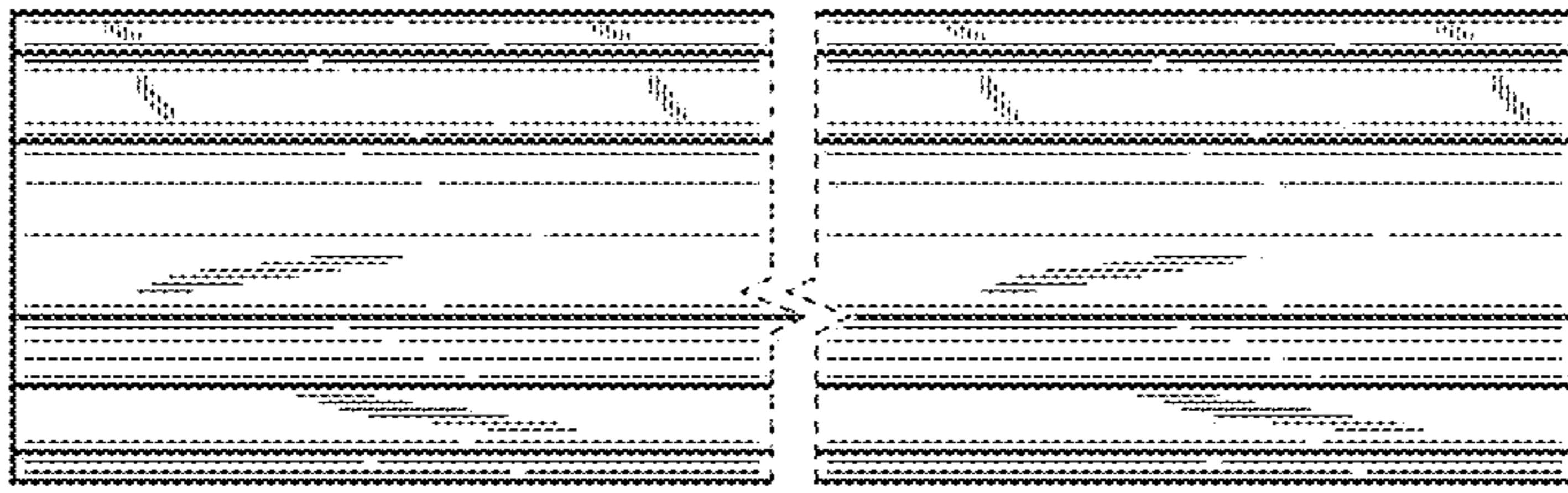


FIG. 5

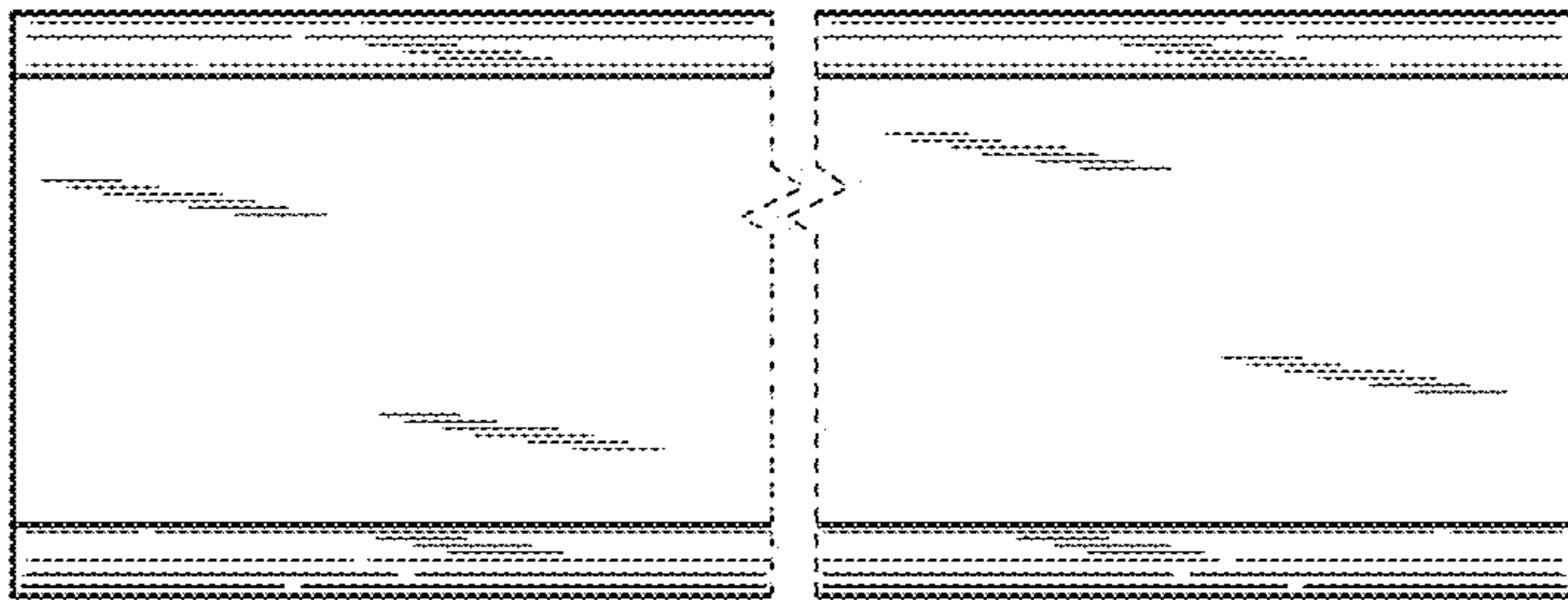


FIG. 3

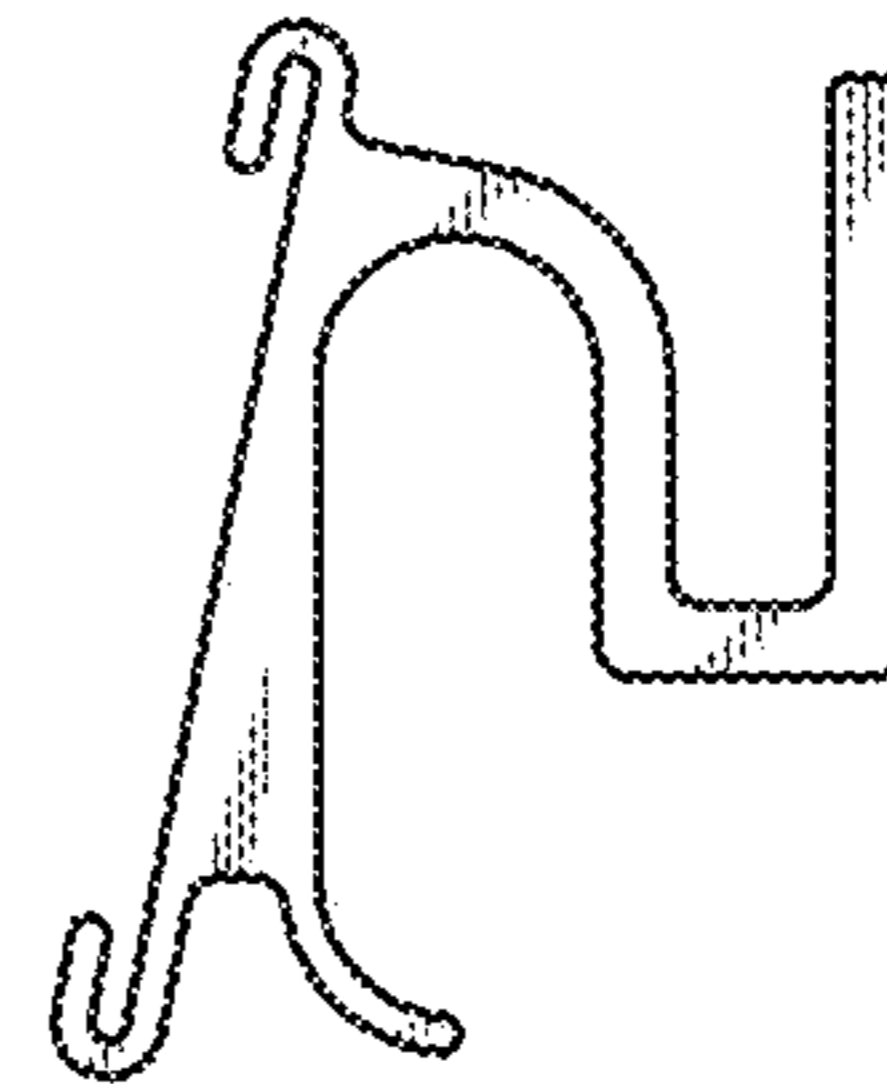


FIG. 4

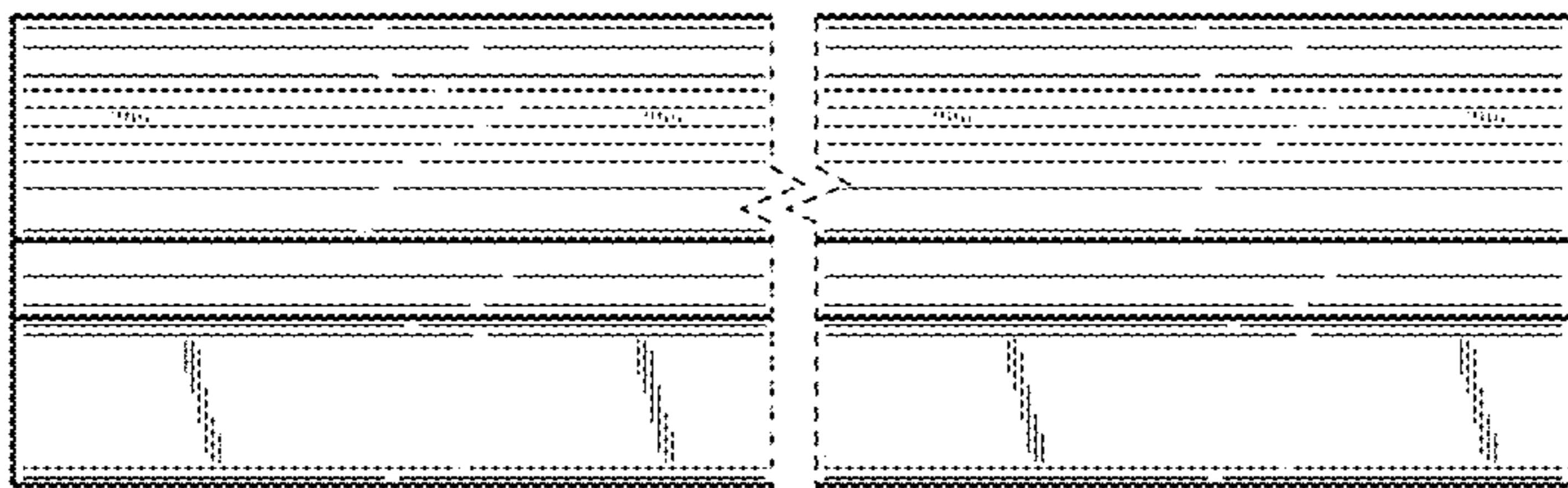


FIG. 6

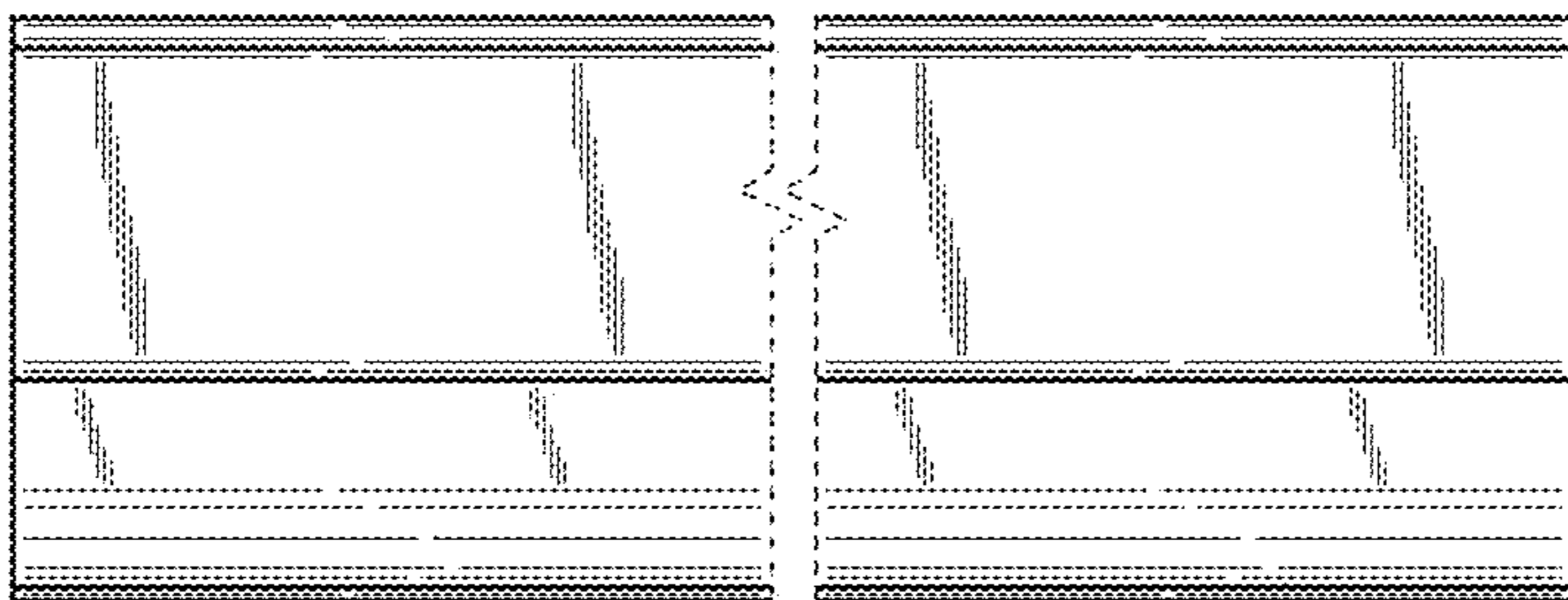


FIG. 7