



US00D914096S

(12) **United States Design Patent**
Bloomberg et al.

(10) **Patent No.:** **US D914,096 S**

(45) **Date of Patent:** **** Mar. 23, 2021**

- (54) **SIGN**
- (71) Applicant: **Gensler Architecture, Design & Planning, P.C.**, New York, NY (US)
- (72) Inventors: **Mitchell Bloomberg**, Kearny, NJ (US); **Boris Bregman**, Kearny, NJ (US); **Peter Wang**, New York, NY (US); **Niti Dattani**, New York, NY (US)
- (73) Assignee: **Gensler Architecture, Design & Planning, P.C.**, New York, NY (US)

D496,485 S *	9/2004	Stekelenburg	D20/42
D504,705 S *	5/2005	Gregory	D20/42
D543,591 S *	5/2007	Simasko	D20/42
D545,908 S *	7/2007	Bourgeois	D20/10
D548,795 S *	8/2007	Bourgeois	D20/10
D586,860 S *	2/2009	Yu	D20/42
D611,547 S *	3/2010	Mirica	D20/42
D625,363 S *	10/2010	Lee	D20/42
D679,759 S *	4/2013	Brunelli	D20/42
D700,097 S *	2/2014	Hasan	D10/114.1
D815,692 S *	4/2018	Kim	D20/42
D825,003 S *	8/2018	Katz	D20/42
D865,061 S *	10/2019	Katz	D20/42
D892,933 S *	8/2020	Natale	D20/22

(**) Term: **15 Years**

* cited by examiner

(21) Appl. No.: **29/691,602**

Primary Examiner — Mary Ann Calabrese

(22) Filed: **May 17, 2019**

Assistant Examiner — Catherine Ho

(51) **LOC (13) Cl.** **20-02**

(74) *Attorney, Agent, or Firm* — Kane Kessler, P.C.; Paul E. Szabo

(52) **U.S. Cl.**
USPC **D20/42**

(57) **CLAIM**

(58) **Field of Classification Search**
USPC D10/46, 46.1, 104.1, 104.2, 109.1, 109.2,
D10/113.4, 114.1; D20/10, 11, 12,
D20/22-42, 99
CPC G09F 2003/0208; G09F 7/02; G09F 7/14;
G09F 7/165; G09F 13/06; G09F 13/16;
G09F 19/08; G09F 2019/081; G09F
2019/083; G09F 2019/085; G09F
2019/086; G09F 2019/088

We claim the ornamental design for a sign, as shown and described.

See application file for complete search history.

DESCRIPTION

(56) **References Cited**

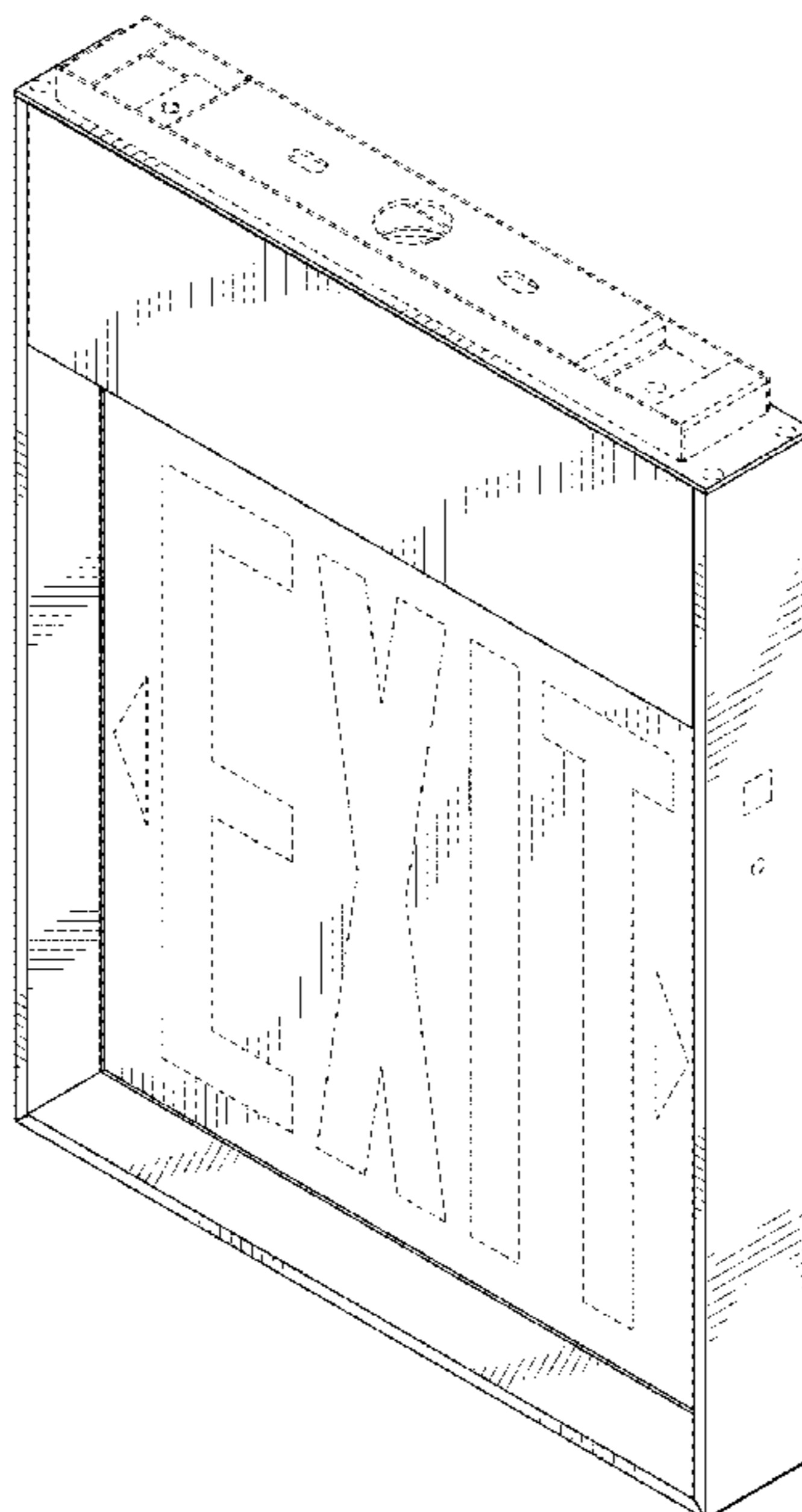
FIG. 1 is a perspective view of a sign, showing our new design;
FIG. 2 is a front elevational view thereof;
FIG. 3 is a back elevational view thereof;
FIG. 4 is a right side elevational view thereof;
FIG. 5 is a left side elevational view thereof;
FIG. 6 is a top plan view thereof;
FIG. 7 is a bottom plan view thereof; and,
FIG. 8 is a cross sectional view taken along the lines 8-8 of FIG. 6.

U.S. PATENT DOCUMENTS

D391,992 S *	3/1998	Vosika	D10/109.1
D406,279 S *	3/1999	LaRosa	D20/10
D406,863 S *	3/1999	Evarts	D20/10
D445,138 S *	7/2001	Stark, III	D10/109.1
D495,750 S *	9/2004	Lee	D20/42

The broken line portion of the figure drawings is included to show environment that forms no part of the claimed design.

1 Claim, 6 Drawing Sheets



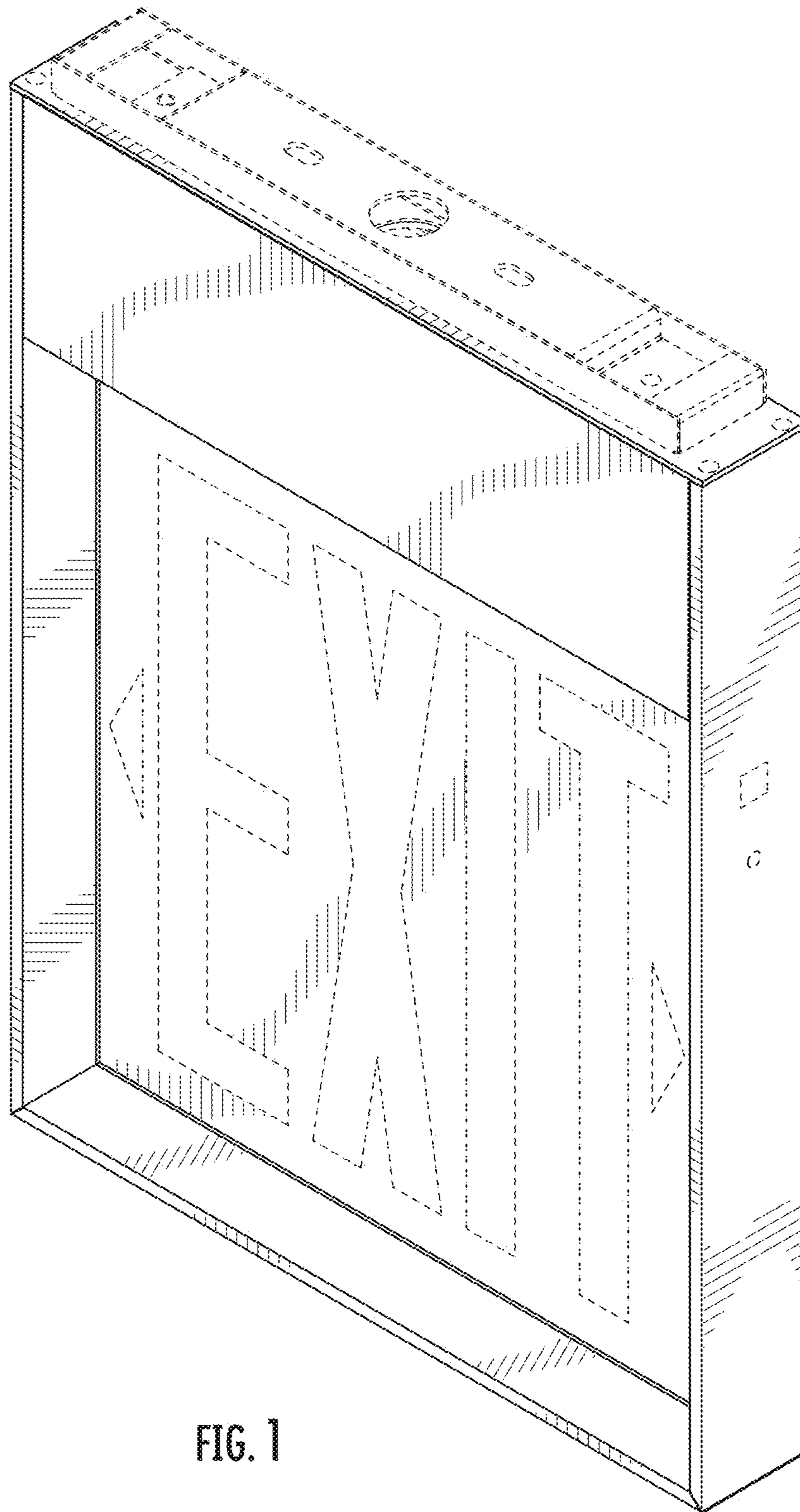


FIG. 1

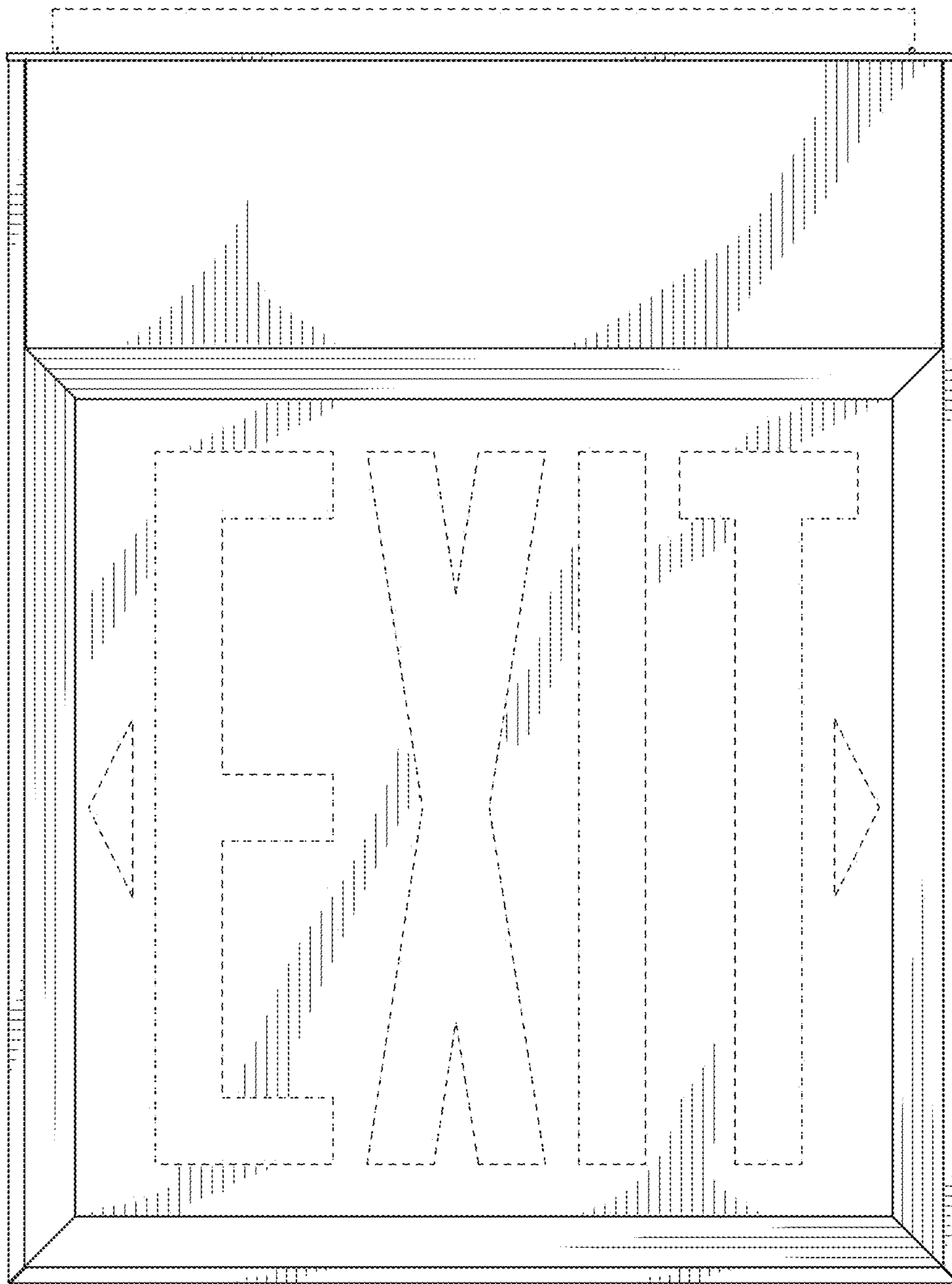


FIG. 2

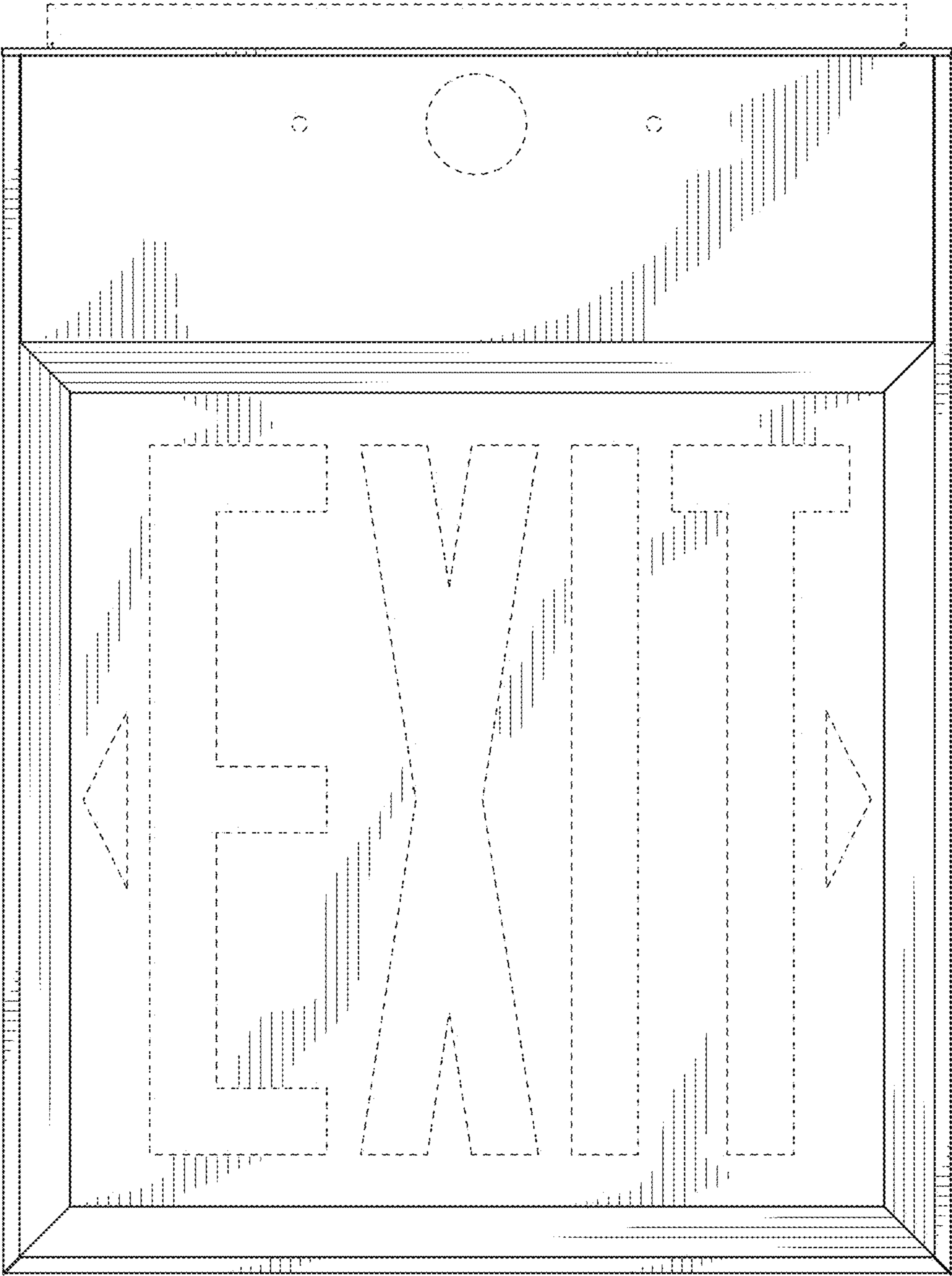


FIG. 3

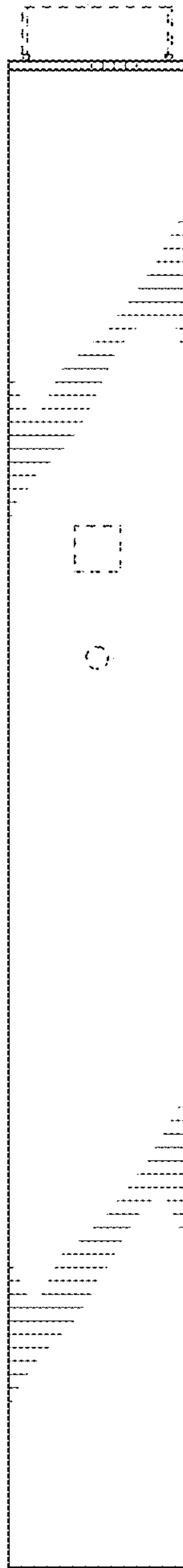


FIG. 4

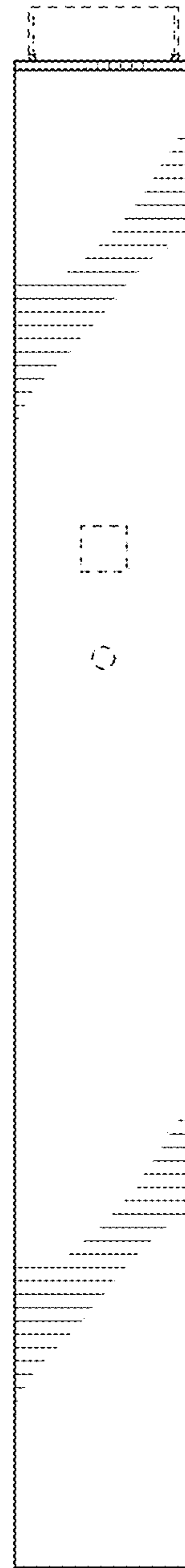


FIG. 5

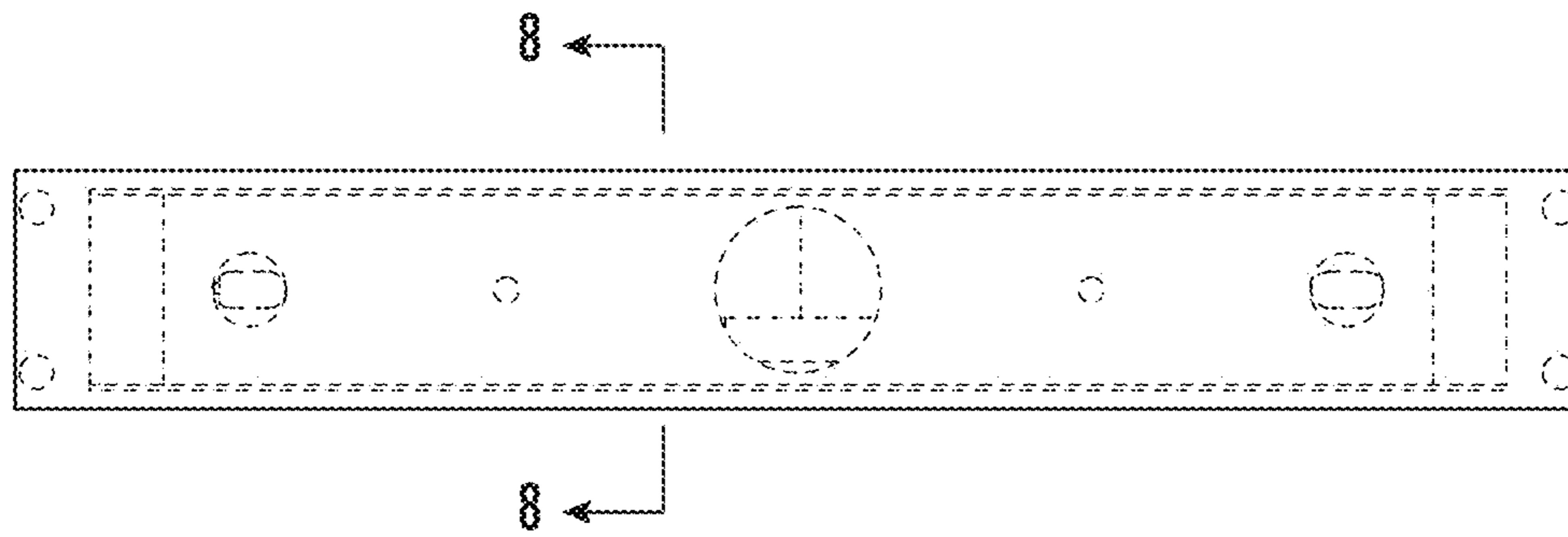


FIG. 6

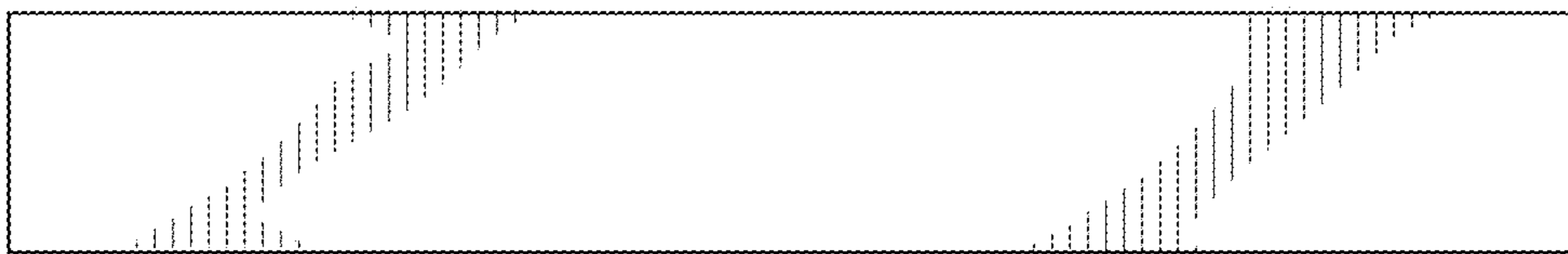


FIG. 7

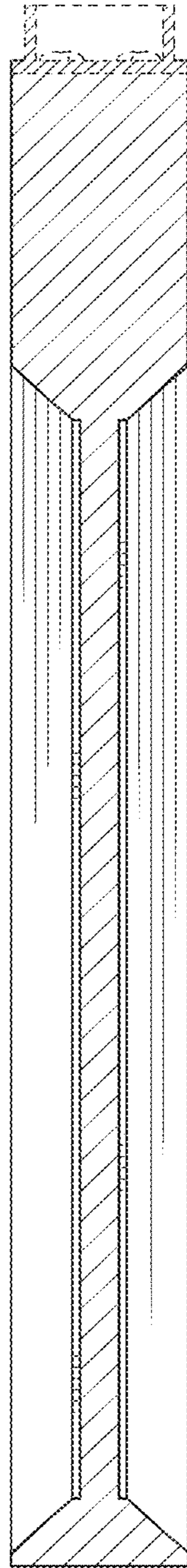


FIG. 8