



US00D914090S

(12) **United States Design Patent** (10) **Patent No.:** **US D914,090 S**
Fish (45) **Date of Patent:** **** Mar. 23, 2021**

(54) **WRITING INSTRUMENT**

(71) Applicant: **WORKLIFE BRANDS LLC**,
Framingham, MA (US)

(72) Inventor: **Robert Fish**, Framingham, MA (US)

(73) Assignee: **WORKLIFE BRANDS LLC**,
Framingham, MA (US)

(**) Term: **15 Years**

(21) Appl. No.: **29/697,857**

(22) Filed: **Jul. 11, 2019**

(51) **LOC (13) Cl.** **19-06**

(52) **U.S. Cl.**
USPC **D19/163; D19/916; D19/926**

(58) **Field of Classification Search**
USPC **D19/115-204; D14/411; D9/723-727, D9/504**
CPC . **B43K 5/005; B43K 7/12; B43K 8/00; B43K 8/02; B43K 8/04; B43K 8/06; B43K 8/14; B43K 8/145; B43K 8/16; B43K 21/003; B43K 21/006; B43K 21/06; B43K 23/004**
See application file for complete search history.

(56) **References Cited**

U.S. PATENT DOCUMENTS

D223,307 S * 4/1972 Nockolds D19/164
D254,912 S * 5/1980 Ito D19/164
D256,136 S * 7/1980 Muller D19/169
D258,217 S * 2/1981 Sakaoka D19/168
D259,792 S * 7/1981 Itoh D19/169
D261,010 S * 9/1981 Itoh D19/168
D266,769 S * 11/1982 Camps D19/169
D267,655 S * 1/1983 Verona D19/169
D278,157 S * 3/1985 Maki D19/169
D286,547 S * 11/1986 Koizumi D19/169

D288,450 S * 2/1987 Regnault D19/168
D294,600 S * 3/1988 Funahashi D19/168
D297,021 S * 8/1988 Grossiord D19/169
D303,990 S * 10/1989 Petterson D19/168
D323,529 S * 1/1992 Rousseau D19/168
D323,852 S * 2/1992 Gomez D19/170
D324,236 S * 2/1992 Gomez D19/169
D337,786 S * 7/1993 Melnick D19/163
D358,843 S * 5/1995 Hong D19/164
D410,029 S * 5/1999 Melnick D19/168
D448,407 S * 9/2001 Huang D19/169
D467,970 S * 12/2002 Pellissa Beneyto D19/169
D504,531 S * 4/2005 Bhavnani D26/38
D545,366 S * 6/2007 Ternovits D19/169
D563,470 S * 3/2008 Qiu D19/168
D568,932 S * 5/2008 Qiu D19/166
D598,496 S * 8/2009 Ikeda D19/168
D601,627 S * 10/2009 Liu D19/169
D602,086 S * 10/2009 Liu D19/169
D603,502 S * 11/2009 Petersen D24/133

(Continued)

Primary Examiner — Elizabeth A. Albert
(74) *Attorney, Agent, or Firm* — Sheridan Ross P.C.

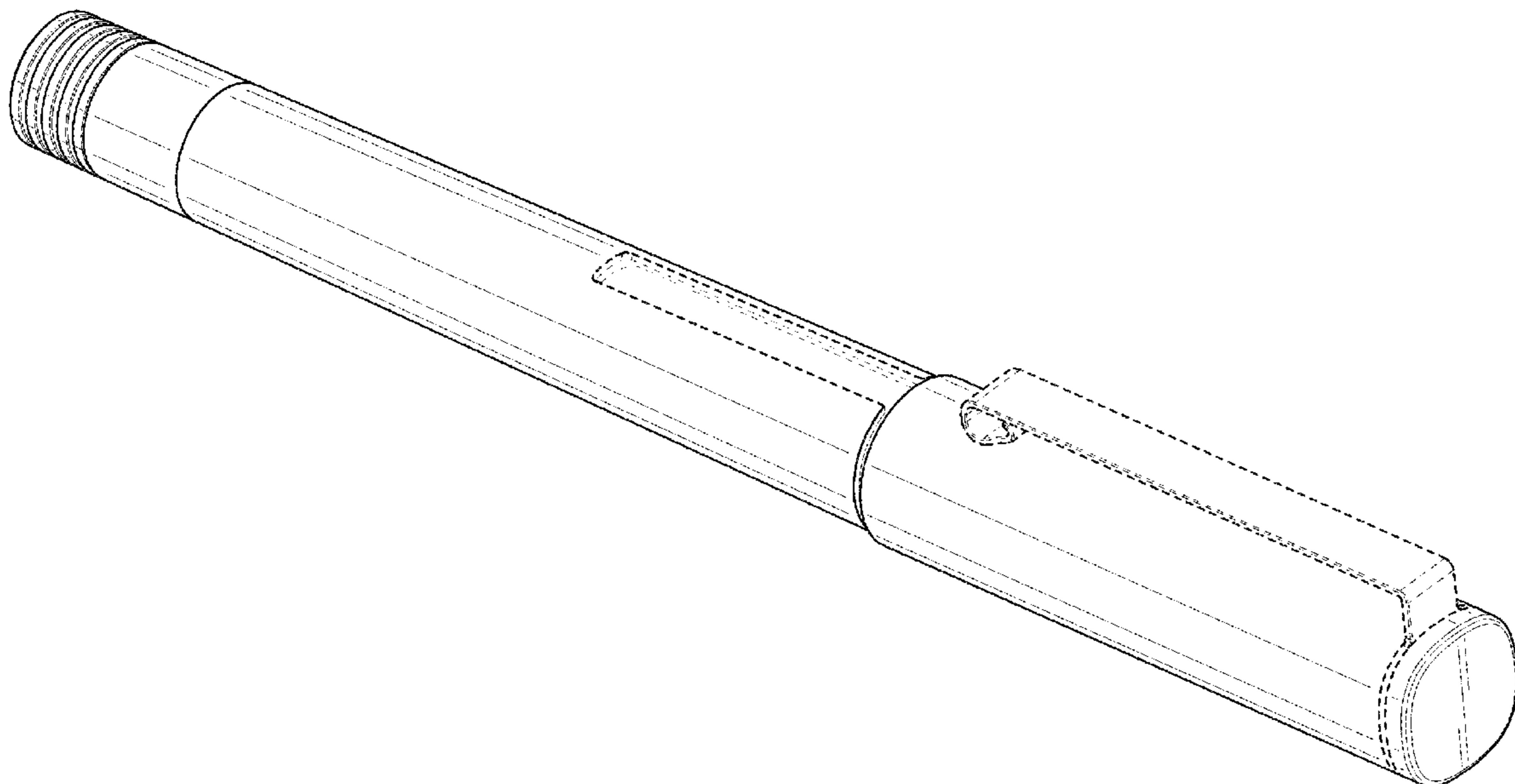
(57) **CLAIM**

The ornamental design for the writing instrument, as shown and described.

DESCRIPTION

FIG. 1 is a perspective view of a writing instrument;
FIG. 2 is a front elevation view thereof;
FIG. 3 is a rear elevation view thereof;
FIG. 4 is a left elevation view thereof;
FIG. 5 is a right elevation view thereof;
FIG. 6 is a top plan view thereof;
FIG. 7 is a bottom plan view thereof; and,
FIG. 8 is a perspective view of the writing instrument according to an uncapped embodiment.
The broken lines in the drawings illustrate portions of the writing instrument which form no part of the claimed design.

1 Claim, 5 Drawing Sheets



(56)

References Cited

U.S. PATENT DOCUMENTS

D607,934 S *	1/2010	Liu	D19/169
D611,095 S *	3/2010	Liu	D19/169
D611,097 S *	3/2010	Liu	D19/169
D628,636 S *	12/2010	Wang	D19/169
D662,986 S *	7/2012	Liu	D19/169
D811,400 S *	2/2018	Nishizawa	D14/411
D825,661 S *	8/2018	Zavada	D19/164
D853,490 S *	7/2019	Kim	D19/177
D867,454 S *	11/2019	Zhang	D19/164
D873,345 S *	1/2020	Morrison	D19/164
D882,685 S *	4/2020	King	D19/164
D884,789 S *	5/2020	Iwao	D19/164
D892,932 S *	8/2020	Zhao	D19/169

* cited by examiner

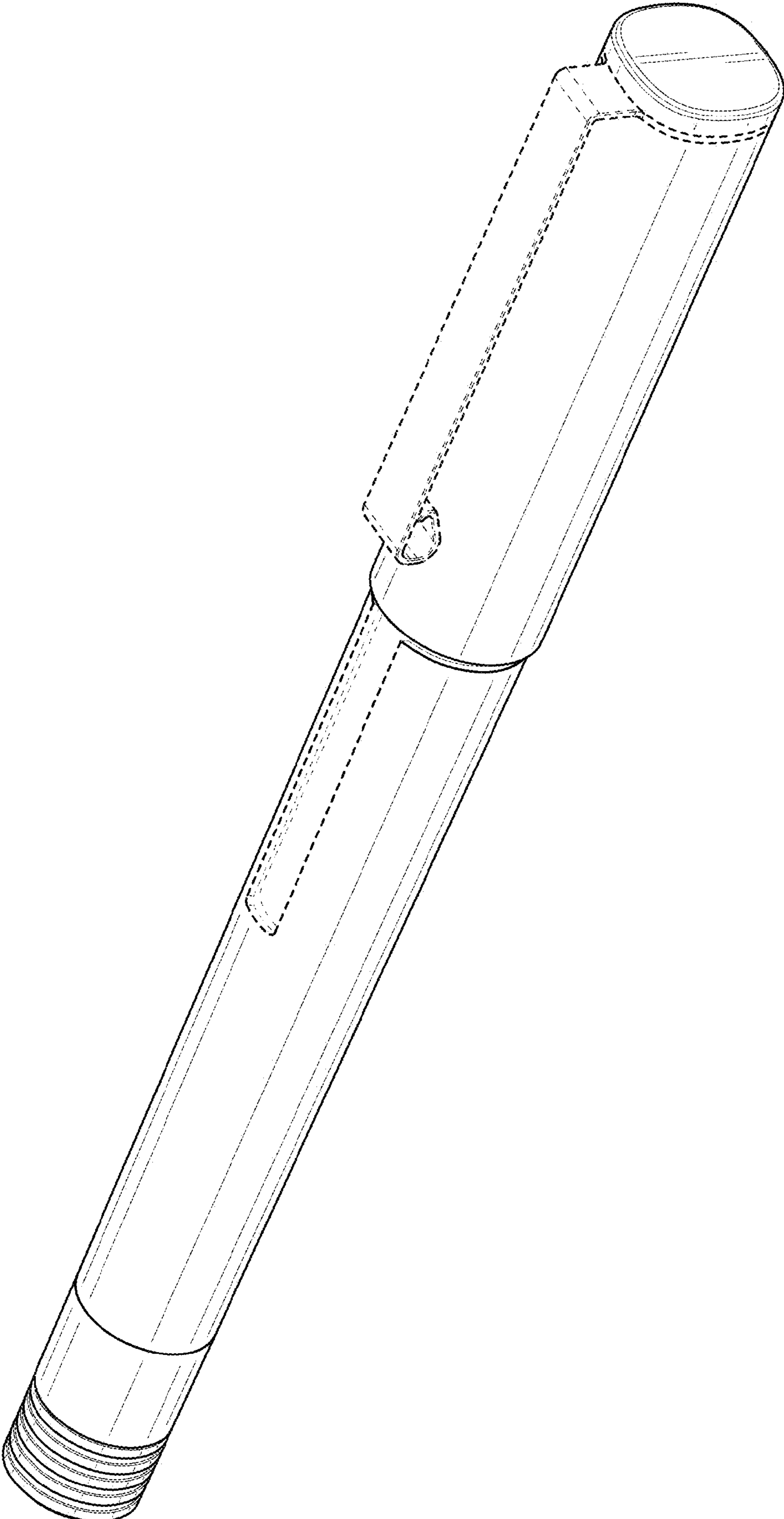


FIG. 1

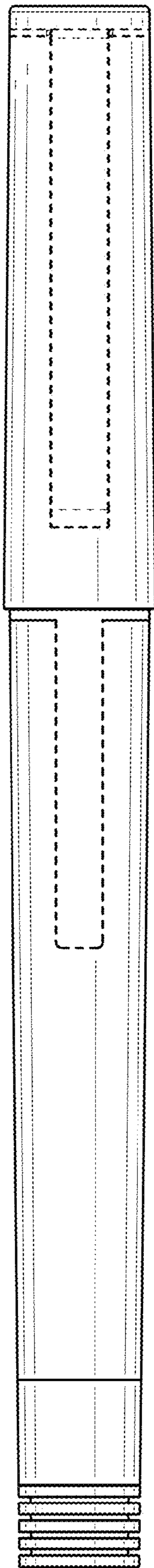


FIG. 2

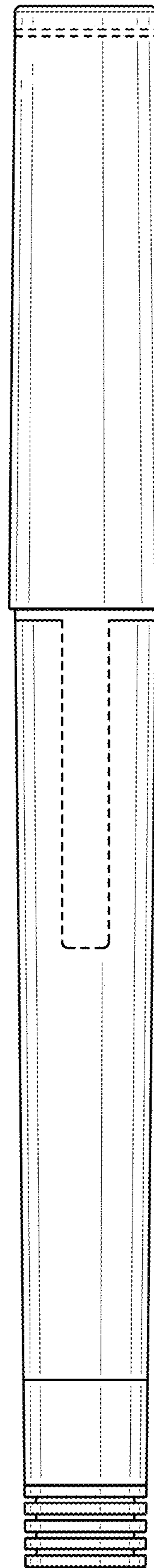


FIG. 3

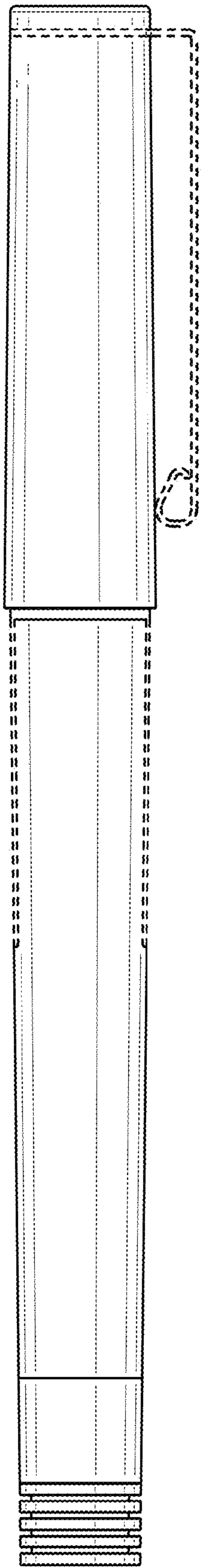


FIG. 4

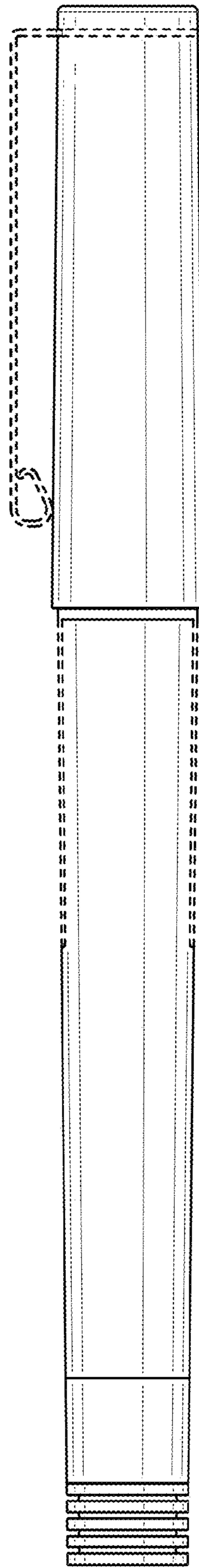


FIG. 5

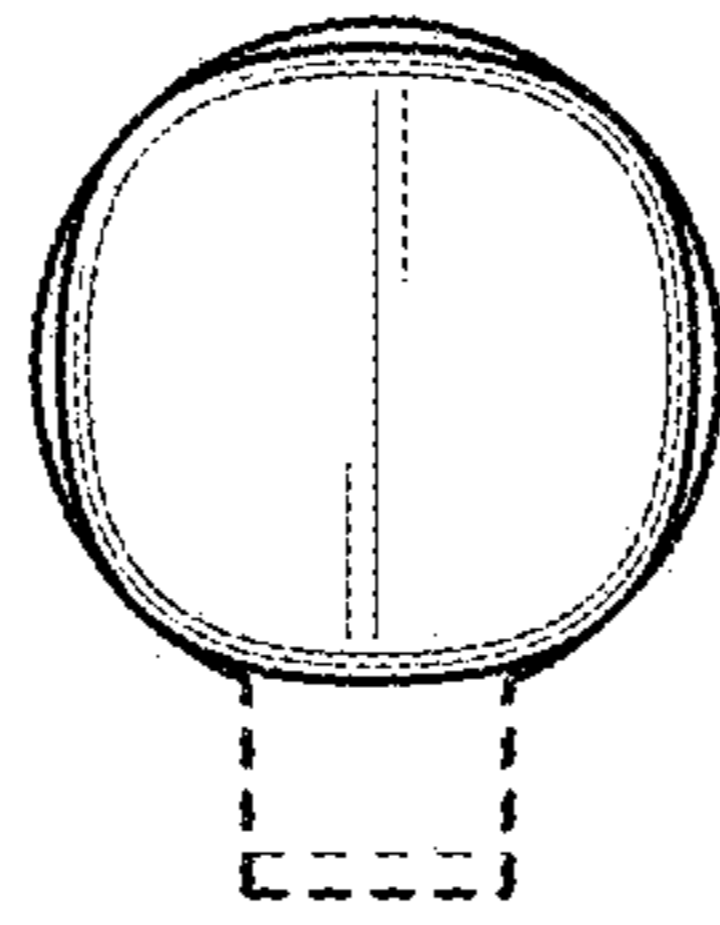


FIG. 6

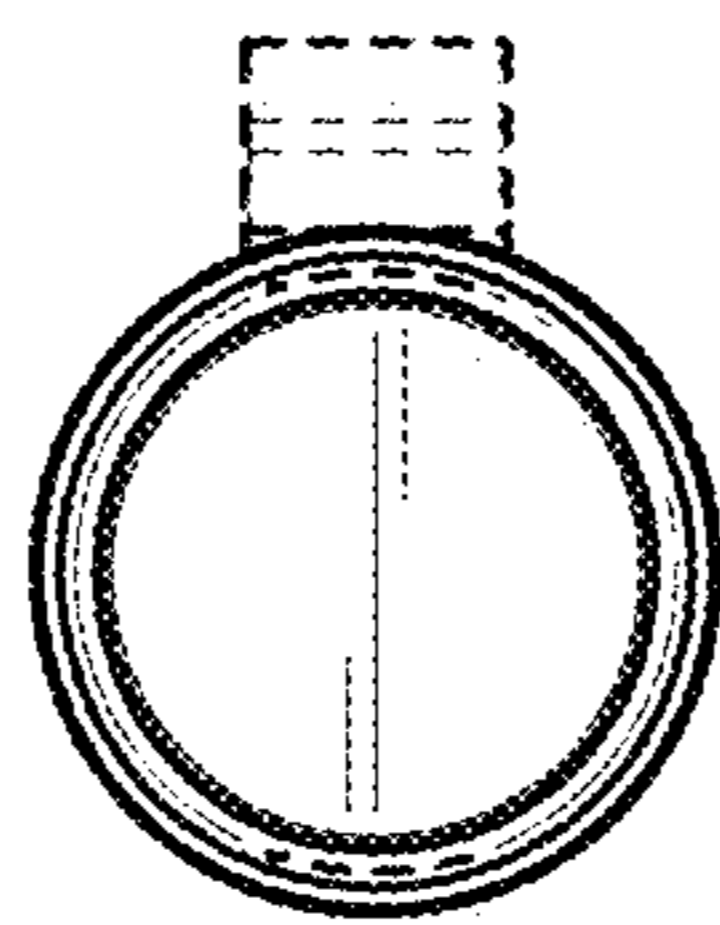


FIG. 7

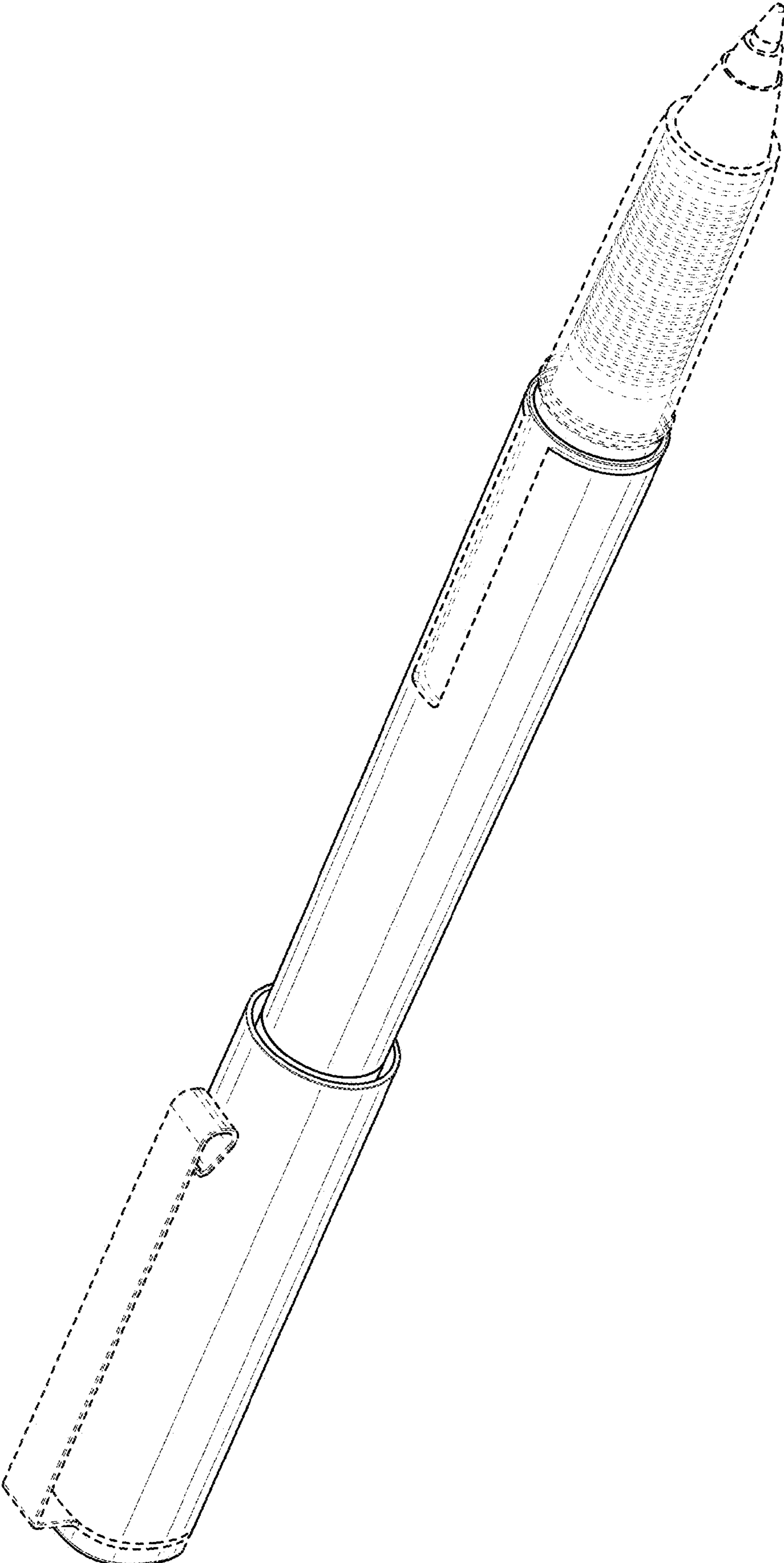


FIG. 8