



US00D914089S

(12) **United States Design Patent**
Tang

(10) **Patent No.:** **US D914,089 S**

(45) **Date of Patent:** **** Mar. 23, 2021**

(54) **DUAL-SIDED WRITING BOARD**

(71) Applicant: **Daniel Chi Hau Tang**, Sheffield (GB)

(72) Inventor: **Daniel Chi Hau Tang**, Sheffield (GB)

(73) Assignee: **MerchSource, LLC**, Irvine, CA (US)

(**) Term: **15 Years**

(21) Appl. No.: **29/713,085**

(22) Filed: **Nov. 13, 2019**

(51) **LOC (13) Cl.** **19-06**

(52) **U.S. Cl.**
USPC **D19/113**

(58) **Field of Classification Search**
USPC D19/88, 113, 114; D6/300–314;
D7/698; D20/21, 40, 42, 43
CPC A47G 1/065; A47G 1/0616; B43L 1/00;
B43L 1/002; B43L 1/008; B43L 1/04;
B43L 1/08; B43L 1/10; B43L 5/00; B44D
3/18; B44D 3/185; G09F 15/00; G09F
15/0056; G09F 15/0068
See application file for complete search history.

(56) **References Cited**

U.S. PATENT DOCUMENTS

564,211	A *	7/1896	Mishler	B43L 1/00 434/408
2,249,663	A *	7/1941	Minnick	A47G 1/0611 40/780
3,029,548	A *	4/1962	Braha	A47B 23/043 248/455
D255,745	S *	7/1980	Pedersen	40/746
4,339,104	A *	7/1982	Weidman	F16M 11/10 248/407
D265,916	S *	8/1982	Evenson	D19/91
D323,657	S *	2/1992	Danielson	379/368
D346,594	S *	5/1994	Skaggs	D14/375
D545,692	S *	7/2007	Bhavnani	D10/15

D558,460	S *	1/2008	Yu	D14/341
D585,399	S *	1/2009	Hwang	D14/130
D592,625	S *	5/2009	Hwang	D14/130
D638,631	S *	5/2011	Parisi	D6/300
D644,693	S *	9/2011	Braat	D20/10

(Continued)

Primary Examiner — Elizabeth A. Albert

(74) *Attorney, Agent, or Firm* — Avyno Law P.C.

(57) **CLAIM**

I claim the ornamental design for a dual-sided writing board, as shown and described.

DESCRIPTION

FIG. 1 is a front perspective view of a dual-sided writing board of the present invention.

FIG. 2 is a front elevation view of the dual-sided writing board of FIG. 1.

FIG. 3 is a rear elevation view of the dual-sided writing board of FIG. 1.

FIG. 4 is a left side elevation view of the dual-sided writing board of FIG. 1.

FIG. 5 is a right side elevation view of the dual-sided writing board of FIG. 1.

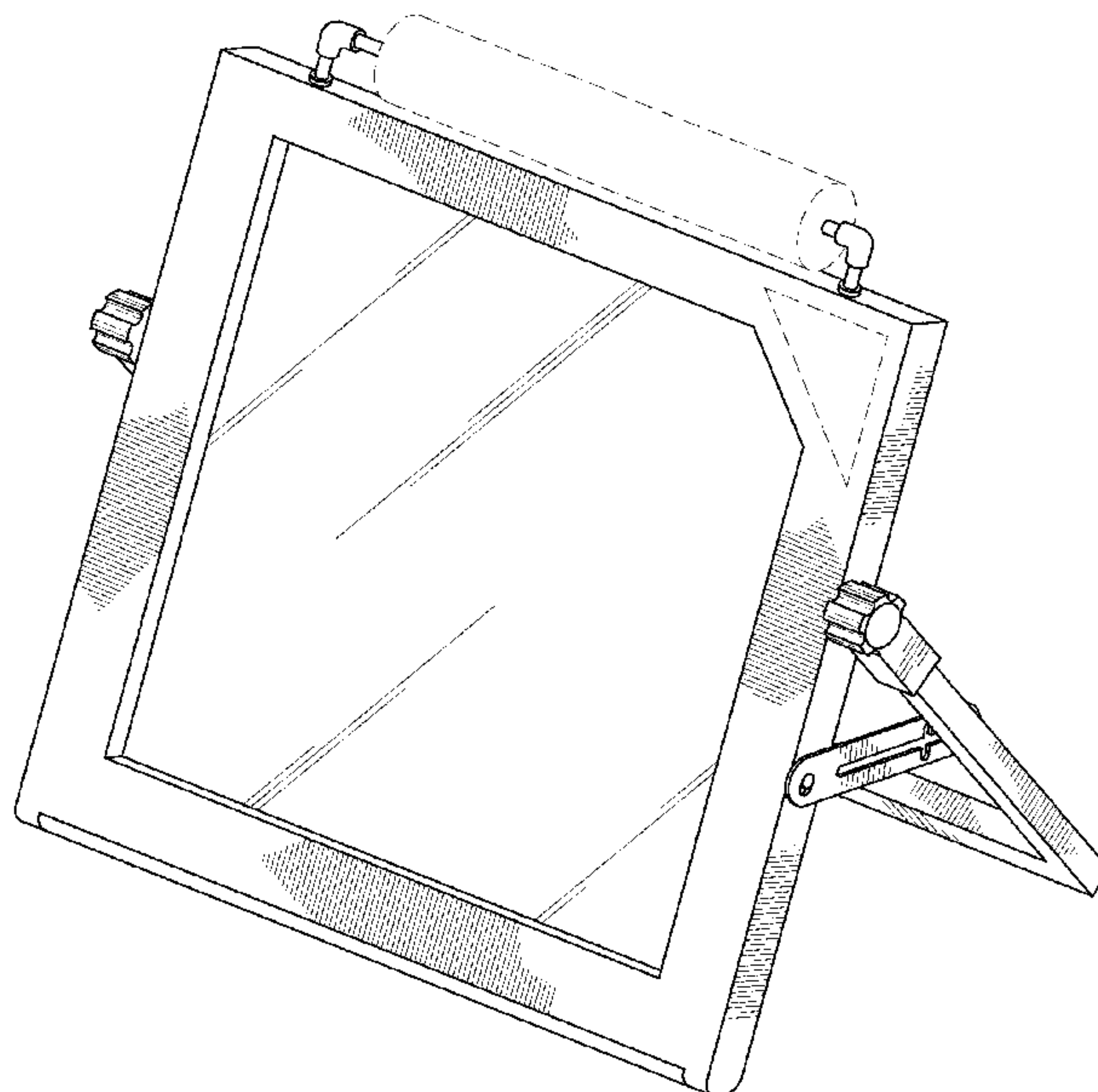
FIG. 6 is a top plan view of the dual-sided writing board of FIG. 1.

FIG. 7 is a bottom plan view of the dual-sided writing board of FIG. 1.

FIG. 8 is a front perspective view of a dual-sided writing board of the present invention shown in use with the support stand extended away from the front writing surface; and, FIG. 9 is a rear perspective view of a dual-sided writing board of the present invention shown in use with the support stand extended away from the rear writing surface.

In the drawings, the broken lines depict portions of the dual-sided writing board that form no part of the claimed design.

1 Claim, 7 Drawing Sheets



(56)

References Cited

U.S. PATENT DOCUMENTS

D703,629 S * 4/2014 Griffith G06T 15/20
D14/129
8,858,001 B2 * 10/2014 Parisi G02B 7/182
359/509
D784,452 S * 4/2017 Miller D19/113
D820,830 S * 6/2018 Lee D14/341
D872,077 S * 1/2020 Raken D14/341
10,787,028 B2 * 9/2020 Kelley A47B 97/08
2016/0347112 A1 * 12/2016 Chow B43L 1/00

* cited by examiner

FIG. 1

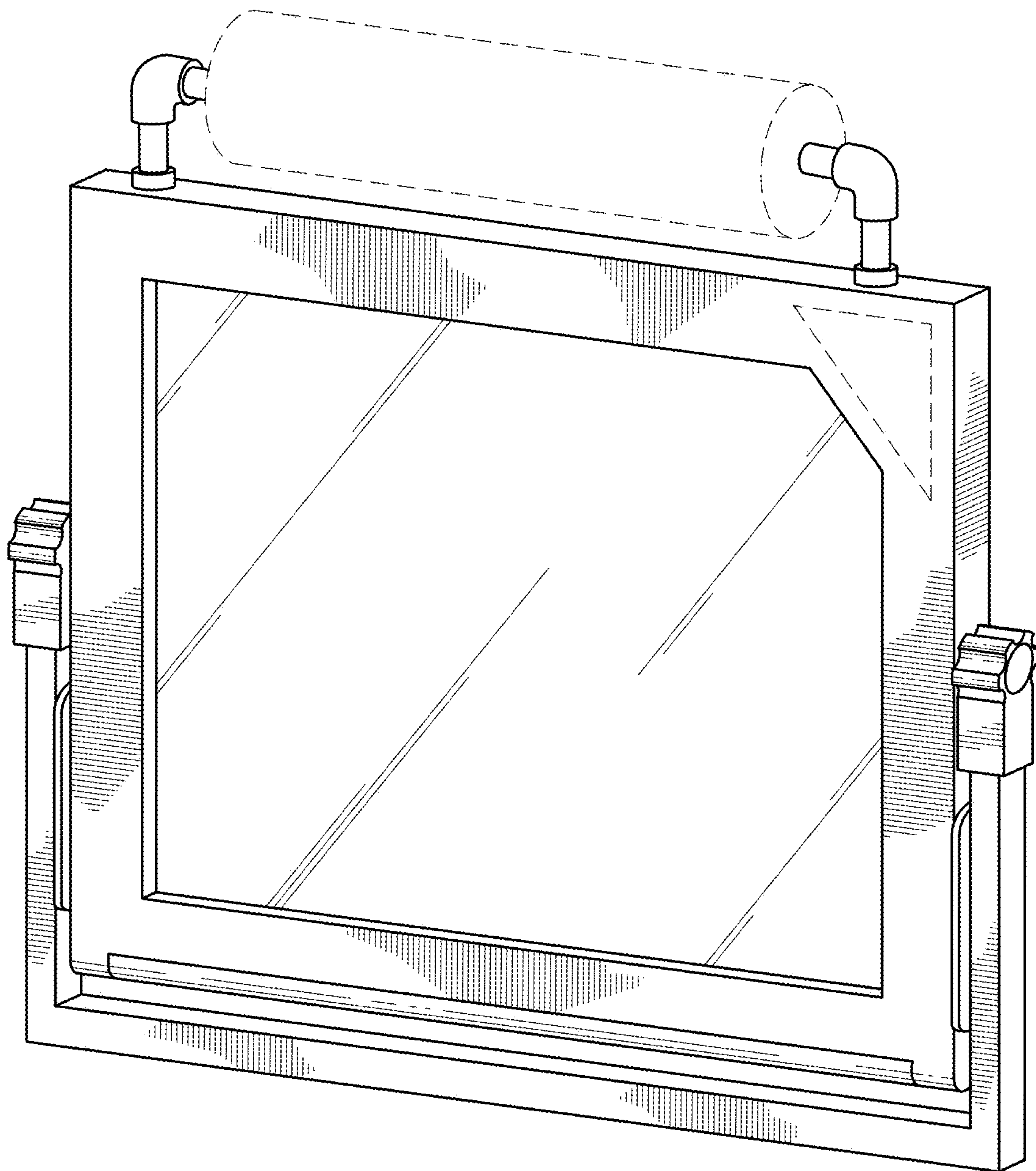


FIG. 2

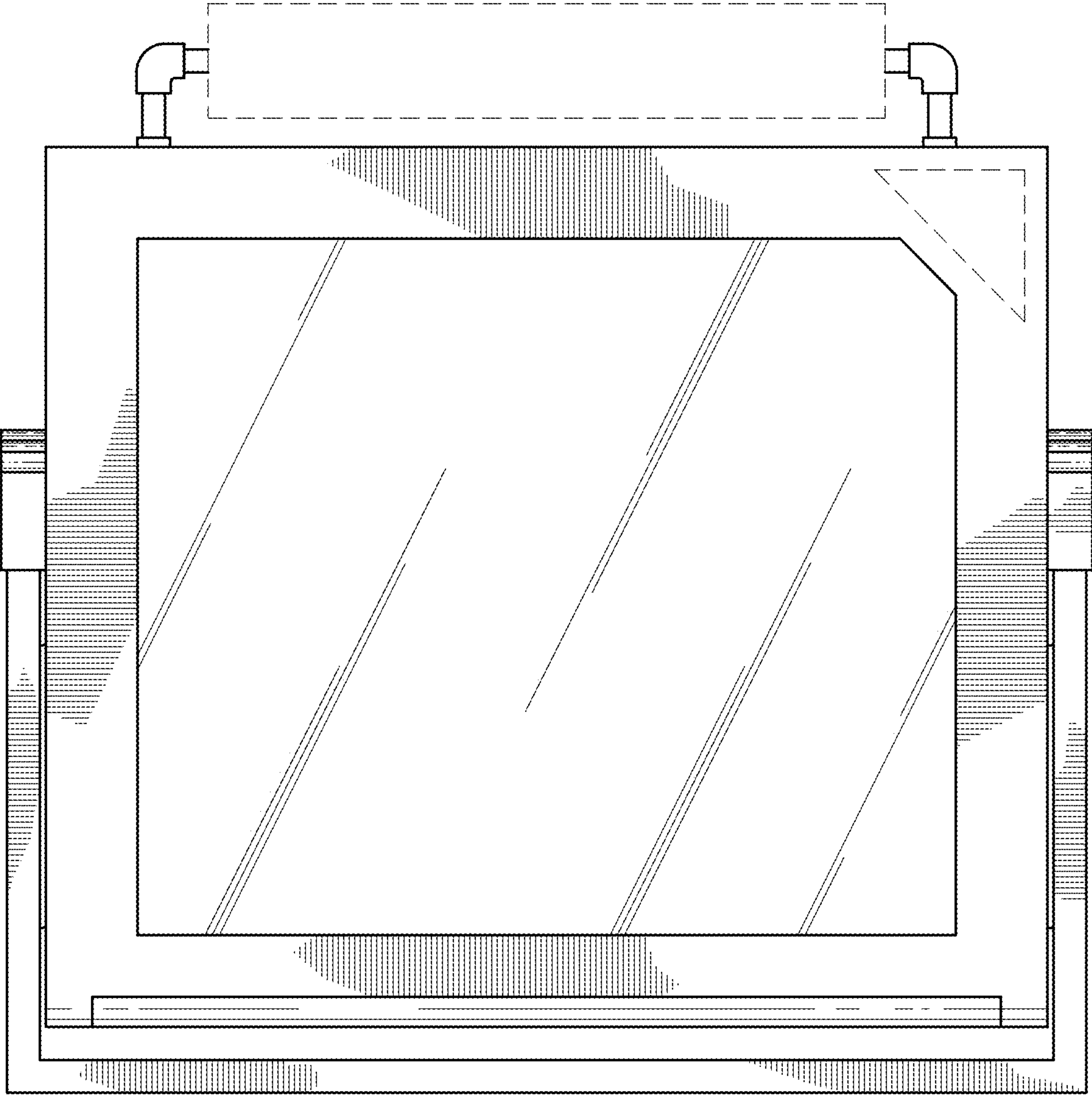


FIG. 3

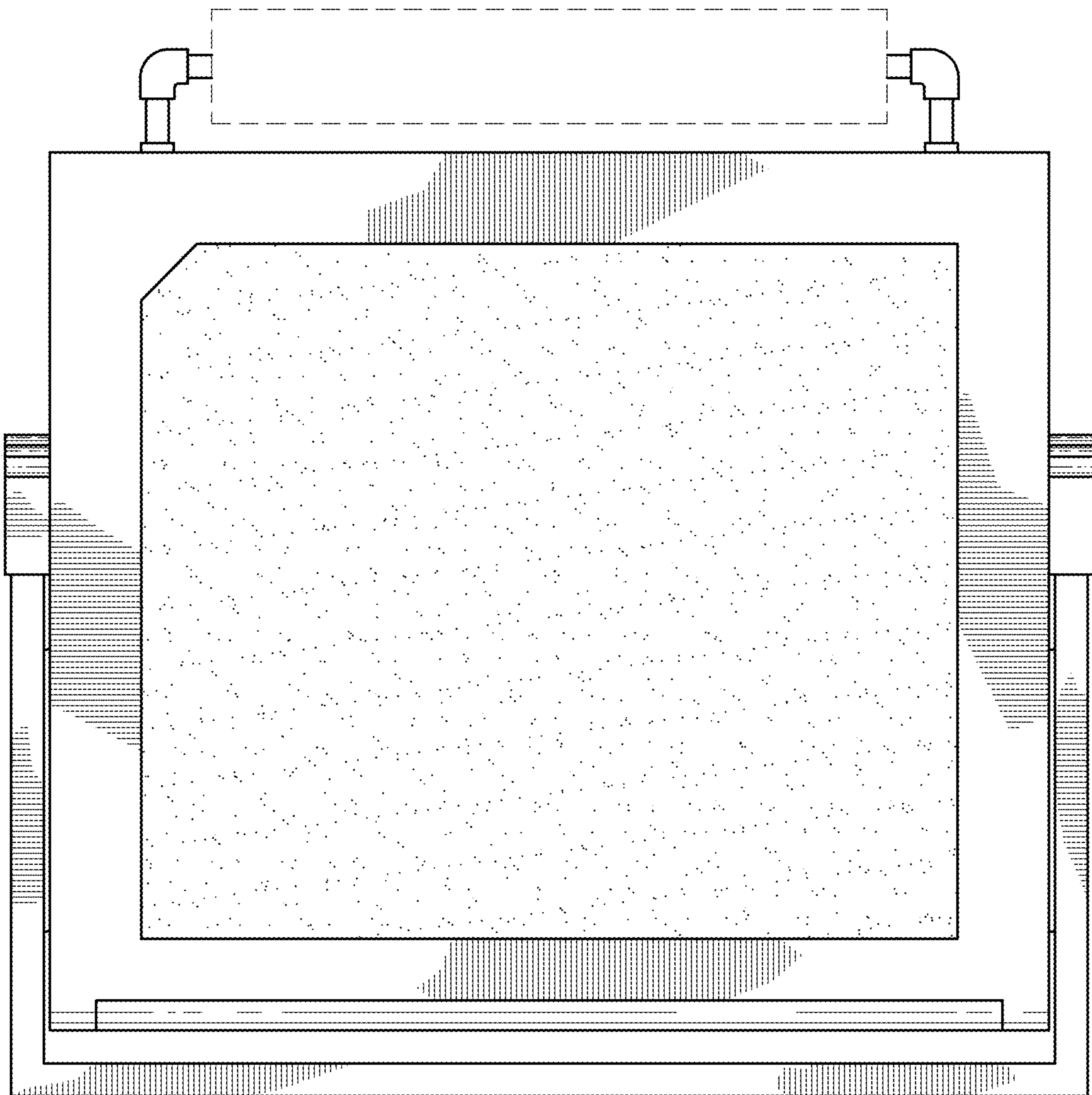


FIG. 4

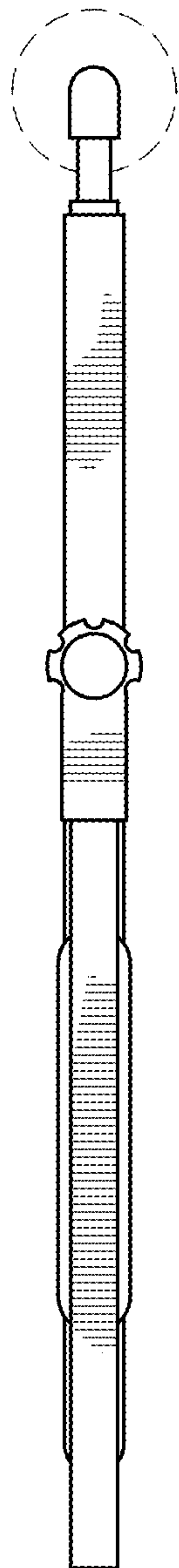


FIG. 5

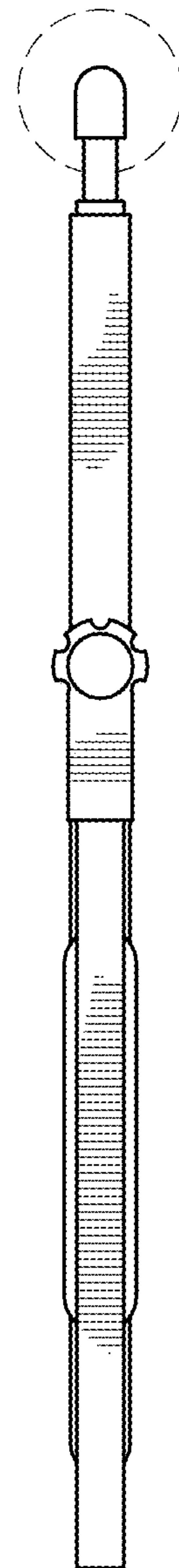


FIG. 6

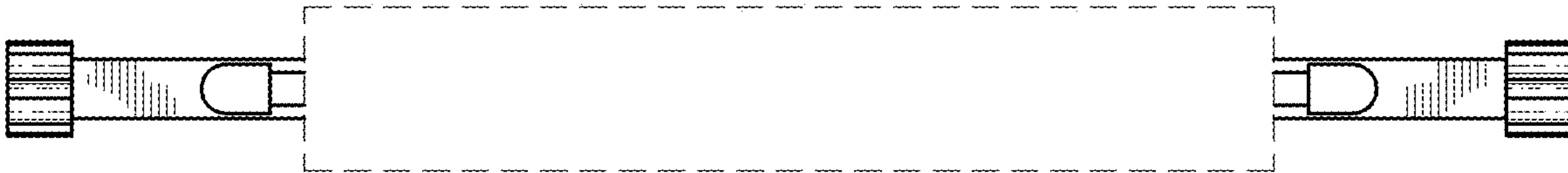


FIG. 7

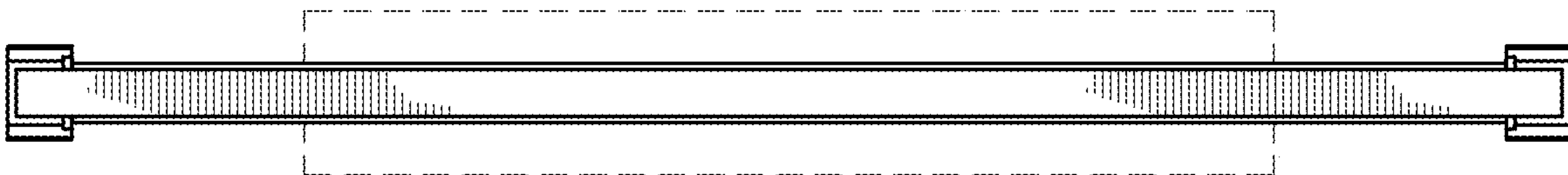


FIG. 8

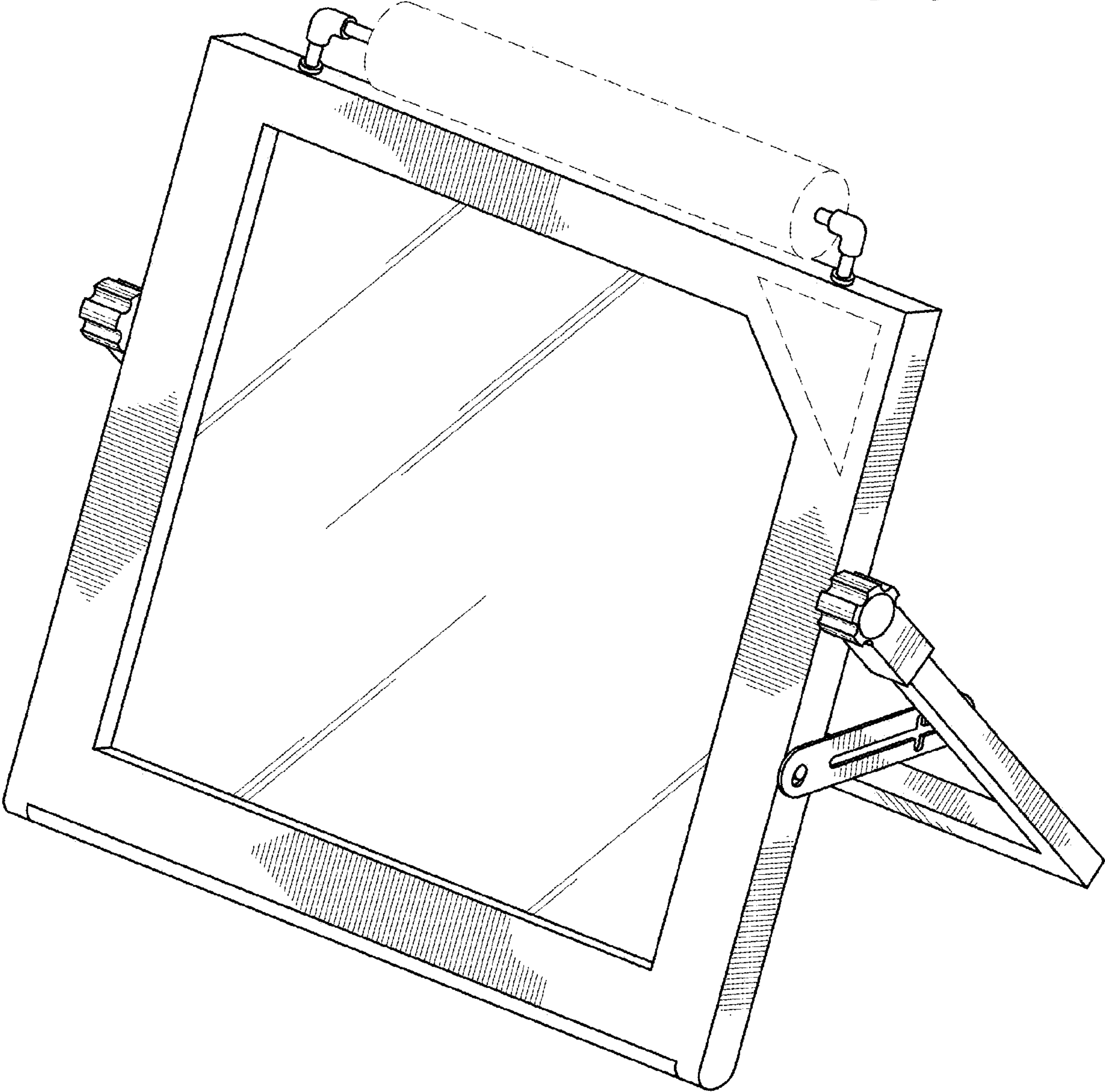


FIG. 9

