



US00D914079S

(12) **United States Design Patent**
van den Brink et al.

(10) **Patent No.:** **US D914,079 S**
(45) **Date of Patent:** **** Mar. 23, 2021**

(54) **CAMERA MOUNTING ARM**

(71) Applicant: **ORLACO PRODUCTS B.V.**,
Barneveld (NL)

(72) Inventors: **Alfred van den Brink**, Barneveld
(NL); **Ben Henken**, Barneveld (NL)

(73) Assignee: **ORLACO PRODUCTS B.V.**

(**) Term: **15 Years**

(21) Appl. No.: **29/686,818**

(22) Filed: **Apr. 8, 2019**

(51) **LOC (13) Cl.** **16-05**

(52) **U.S. Cl.**
USPC **D16/242**

(58) **Field of Classification Search**
USPC D16/219, 237–250; D14/229, 238, 251,
D14/253, 447, 451, 457; D8/354, 355,
D8/363, 373, 382–383, 394–396

(Continued)

(56) **References Cited**

U.S. PATENT DOCUMENTS

D312,205 S * 11/1990 de Rooij 40/759
D428,322 S * 7/2000 Munch D8/302

(Continued)

OTHER PUBLICATIONS

Stoneridge-Orlaco introduces active turn assist system SideEye.
[online] Retrieved Jul. 30, 2020 from URL: <https://www.orlaco.com/media/news/stoneridge-orlaco-introduces-active-turn-assist-system-sideeye-for-blind-spot-detection>.*

(Continued)

Primary Examiner — Vy N Koenig

(74) *Attorney, Agent, or Firm* — Carlson, Gaskey & Olds,
P.C.

(57) **CLAIM**

We claim the ornamental design for a camera mounting arm,
as shown and described.

DESCRIPTION

FIG. 1 is a perspective view of a camera mounting arm showing my new design, mounted to a first side of a vehicle. FIG. 2 is a rear view of the camera mounting arm of FIG. 1. FIG. 3 is a front view of the camera mounting arm of FIG. 1.

FIG. 4 is a top view of the camera mounting arm of FIG. 1. FIG. 5 is a bottom view of the camera mounting arm of FIG. 1.

FIG. 6 is a perspective view of the camera mounting arm of FIG. 1.

FIG. 7 is an end view of the camera mounting arm of FIG. 1.

FIG. 8 is an opposite end view of the camera mounting arm of FIG. 1.

FIG. 9 is a perspective view of a second embodiment of a camera mounting arm showing my new design, mounted to a second side of a vehicle.

FIG. 10 is a front view of the camera mounting arm of FIG. 1.

FIG. 11 is a rear view of the camera mounting arm of FIG. 1.

FIG. 12 is a top view of the camera mounting arm of FIG. 9.

FIG. 13 is a bottom view of the camera mounting arm of FIG. 9.

FIG. 14 is a perspective view of the camera mounting arm of FIG. 9.

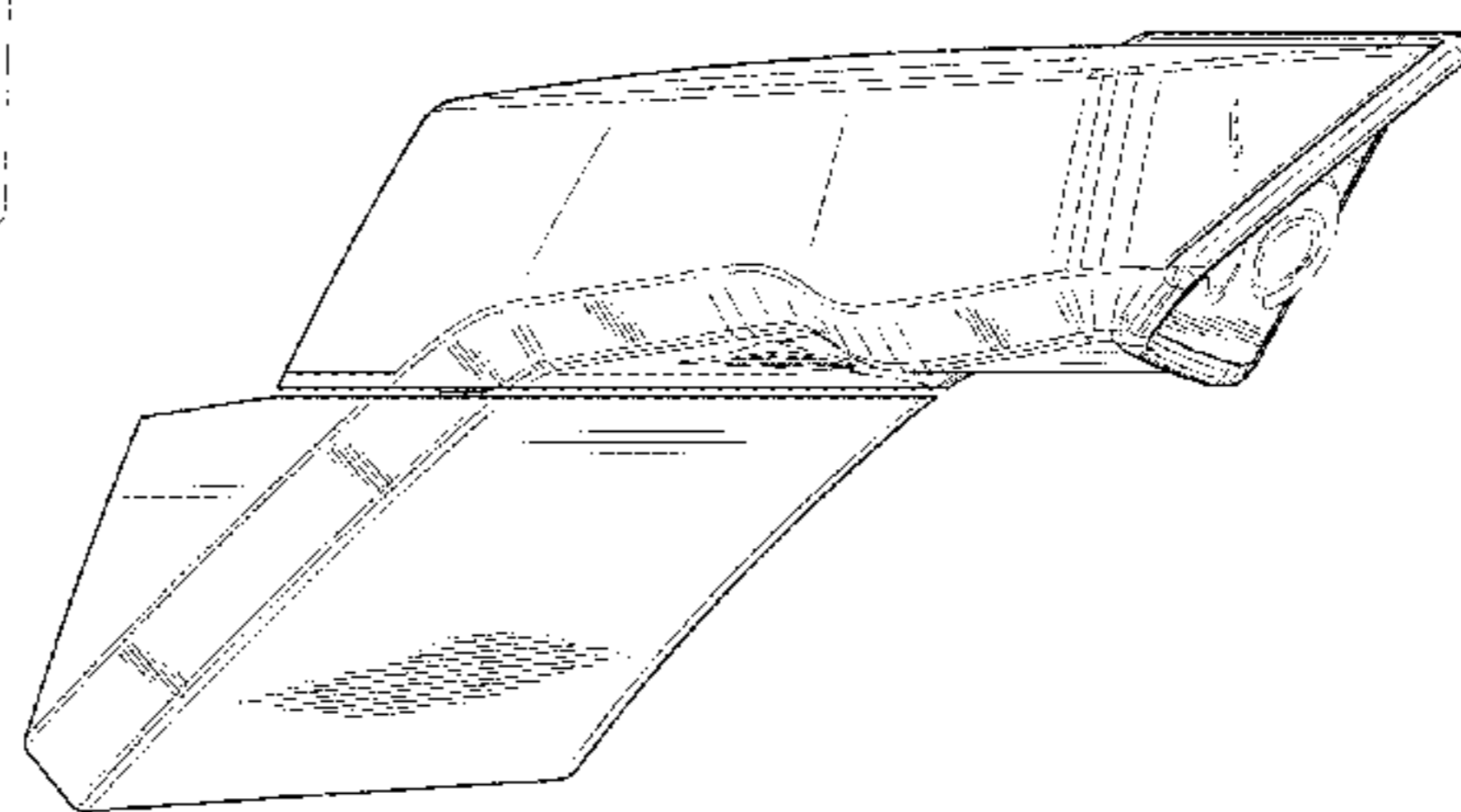
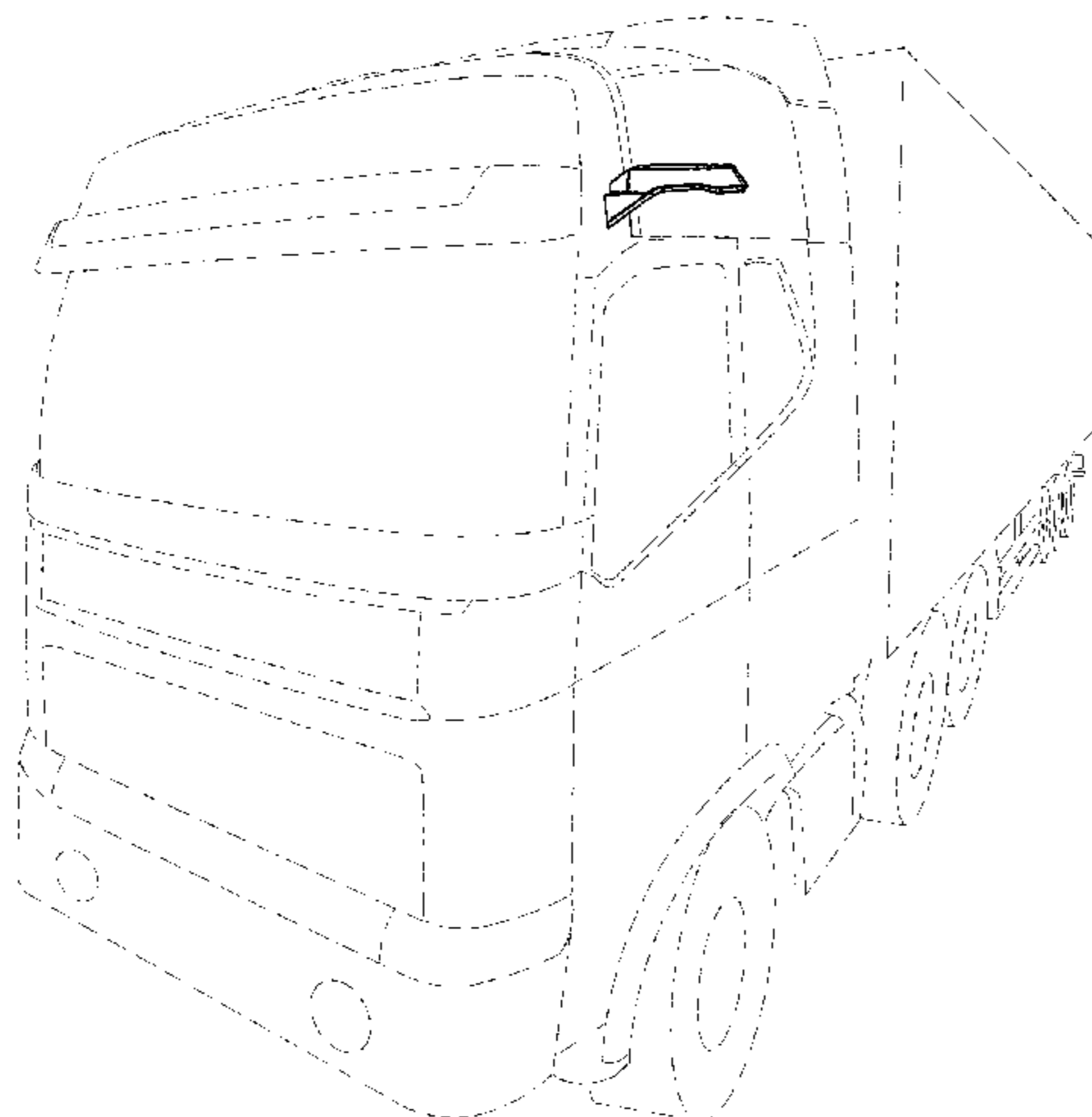
FIG. 15 is an end view of the camera mounting arm of FIG. 9; and,

FIG. 16 is an end view of the camera mounting arm of FIG. 9.

The broken lines in FIGS. 1 and 9 show environmental subject matter, specifically a vehicle, and form no part of the claimed design.

The broken lines in FIGS. 2-8 and 10-16 show portions of the camera mounting arms which form no part of the claimed design.

(Continued)



The shade lines in the Figures show contour and not surface ornamentation.

1 Claim, 12 Drawing Sheets

(58) Field of Classification Search

CPC A45F 2200/0508–0533; A45F 5/00; A45F 5/10; F16M 11/06–10; F16M 11/14; G02B 7/00–002; G03B 17/56; G03B 17/561–566; H04N 5/2253–2254

See application file for complete search history.

(56) References Cited

U.S. PATENT DOCUMENTS

D514,500	S	*	2/2006	Schultz	D12/317
D555,459	S	*	11/2007	Goodwin, III	D8/363
D602,478	S	*	10/2009	Pesdirz	D14/224
D639,837	S	*	6/2011	Stirnemann	D15/199
D757,631	S	*	5/2016	Jamieson	D12/223
D803,294	S	*	11/2017	Peabody	D16/242

D830,236	S	*	10/2018	Yaffe	D12/114
D830,237	S	*	10/2018	Yaffe	D12/114
D830,238	S	*	10/2018	Yaffe	D12/114
D839,948	S	*	2/2019	Chueh	D16/242
D857,785	S	*	8/2019	Lovisone	D16/242
D870,187	S	*	12/2019	Joulani	D16/242
D873,898	S	*	1/2020	Roth	D16/242
10,640,046	B1	*	5/2020	Englander	H04N 5/268

OTHER PUBLICATIONS

Pickup Truck Manual Towing Tow with Support Brackets. [online] Published on May 22, 2018. Retrieved Jul. 30, 2020 from URL: <https://www.amazon.com/1994-2001-1994-2002-Support-Brackets-Passenger/dp/B009TU9S9G>.*

Video: Stoneridge/ORLACO, “MirrorEye Makes Mirrorless Trucks Possible,” Published to YouTube Feb. 17, 2016; Retrieved Jul. 10, 2019 from <https://www.youtube.com/watch?v=4qAcBG8WcOQ>.

Video: Stoneridge Electronics “MirrorEye,” Published to YouTube on Feb. 18, 2016. Retrieved Jul. 10, 2019 from <https://www.youtube.com/watch?v=pjHpQWPGaU>.

* cited by examiner

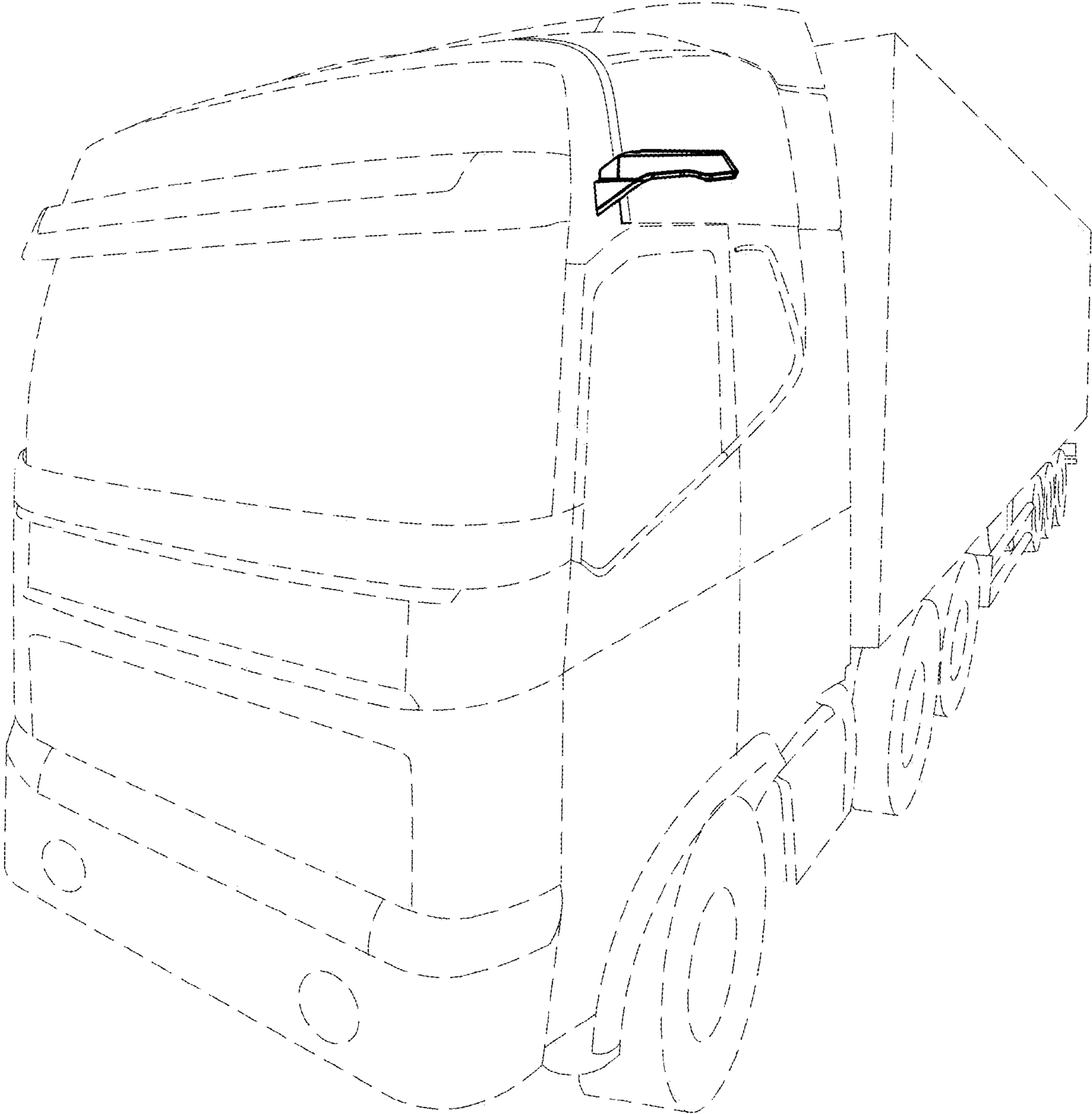
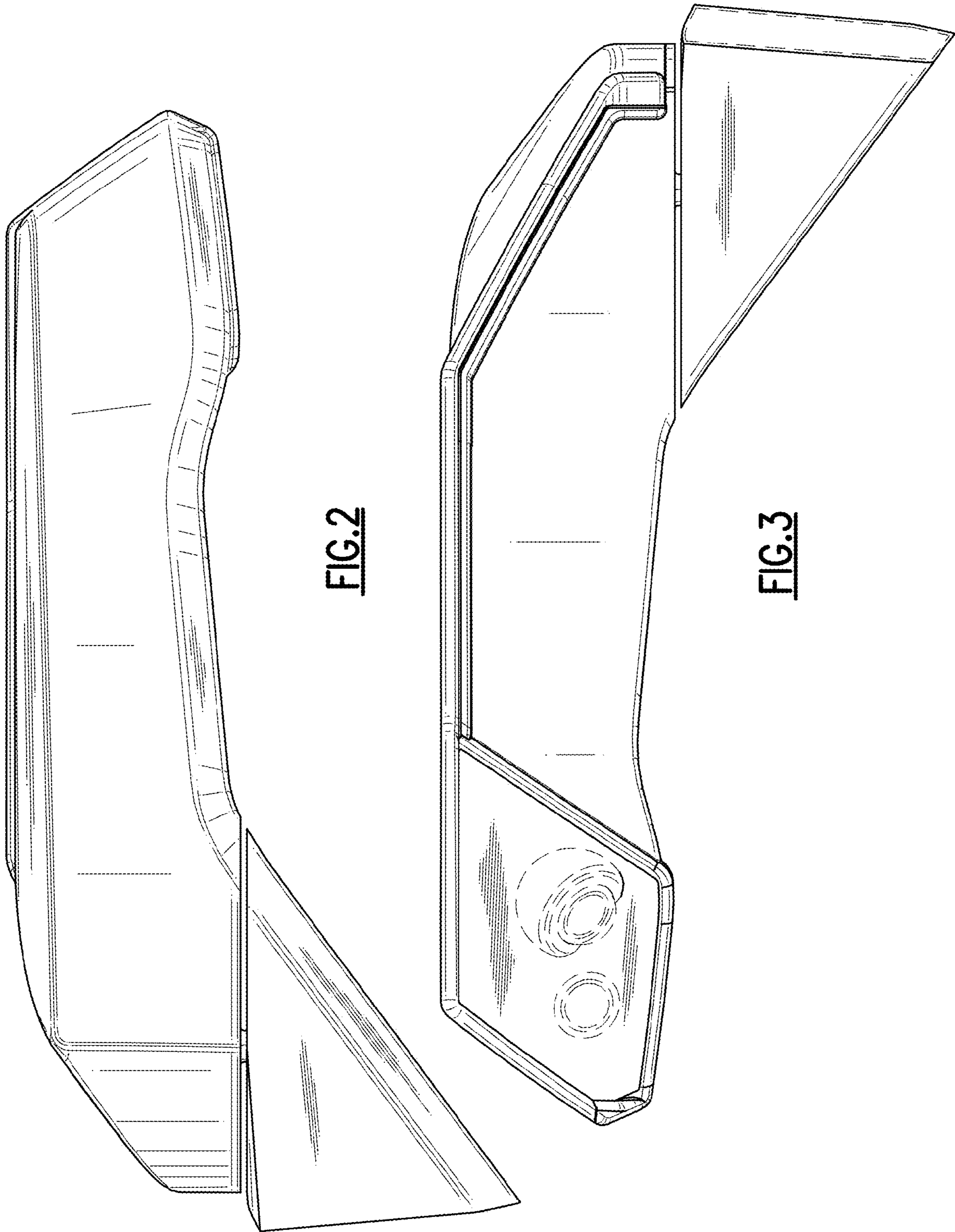


FIG.1



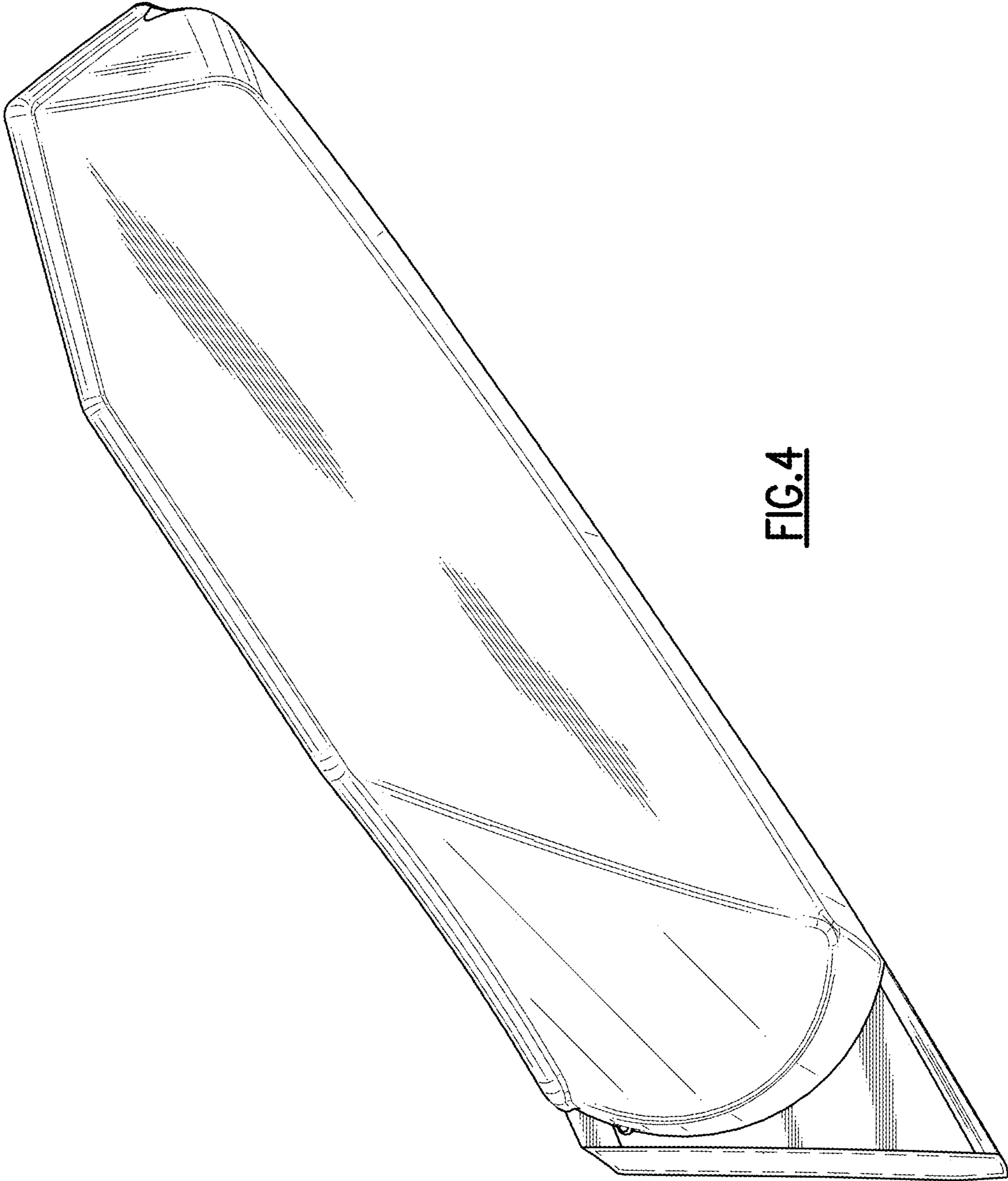


FIG. 4

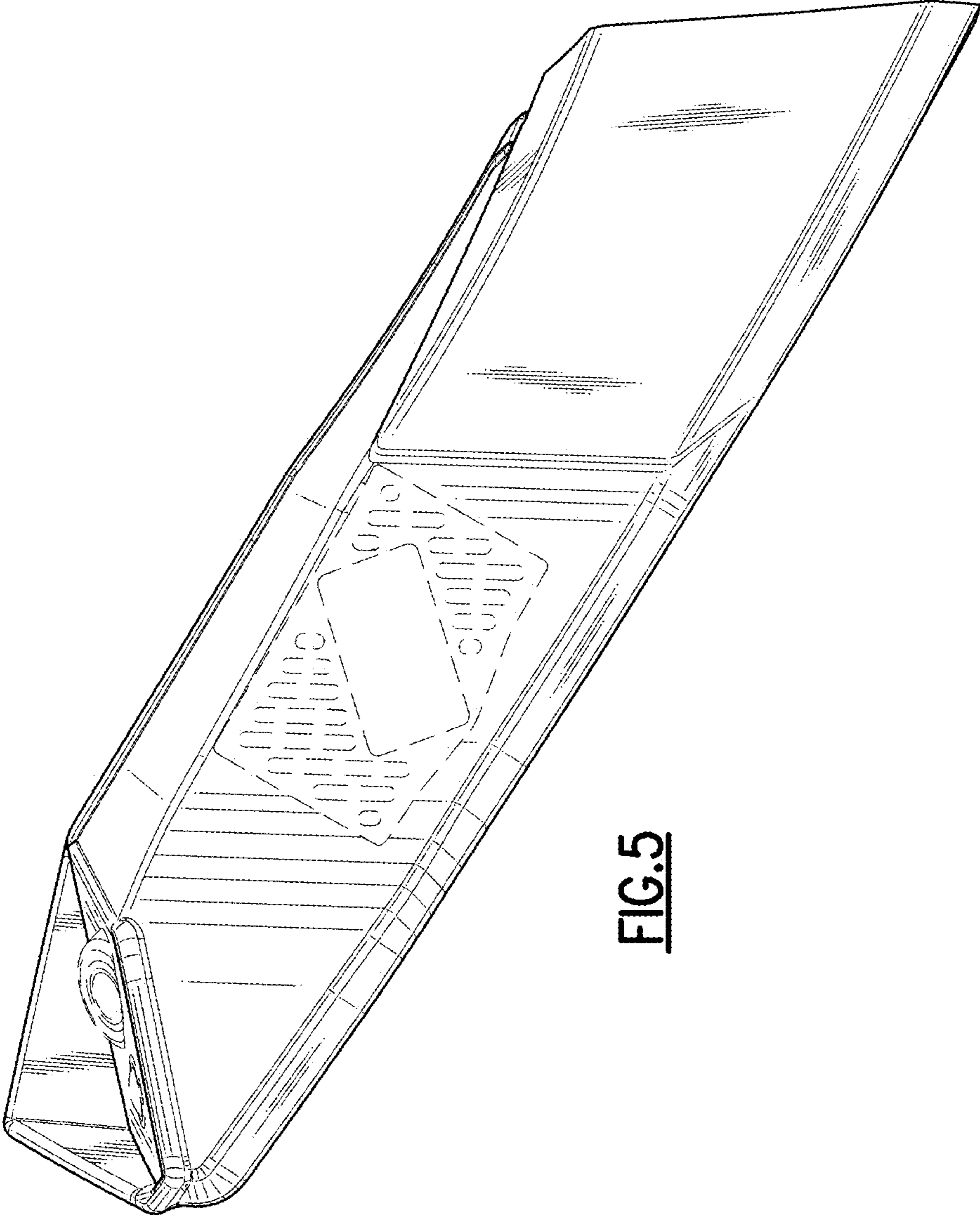
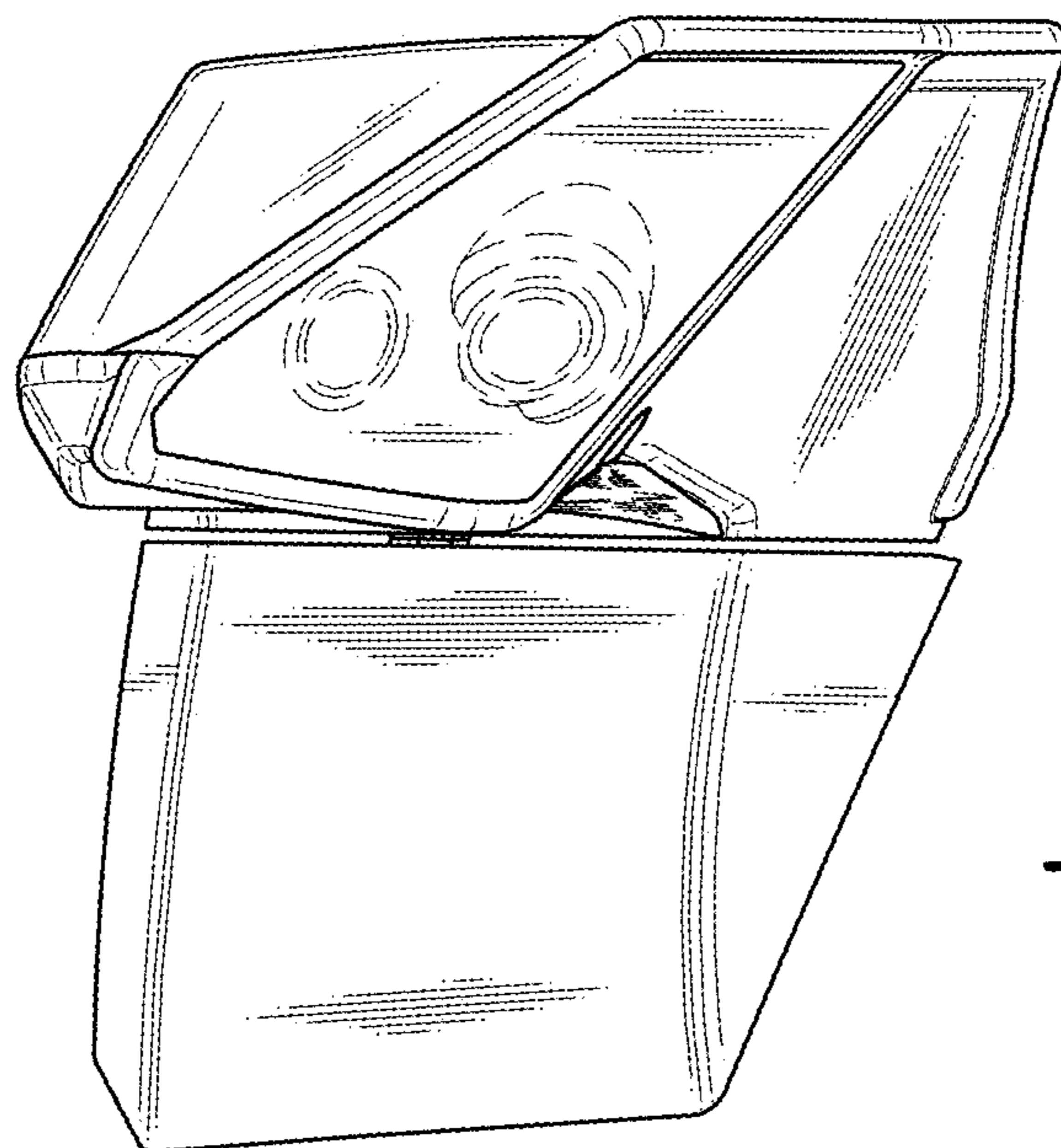
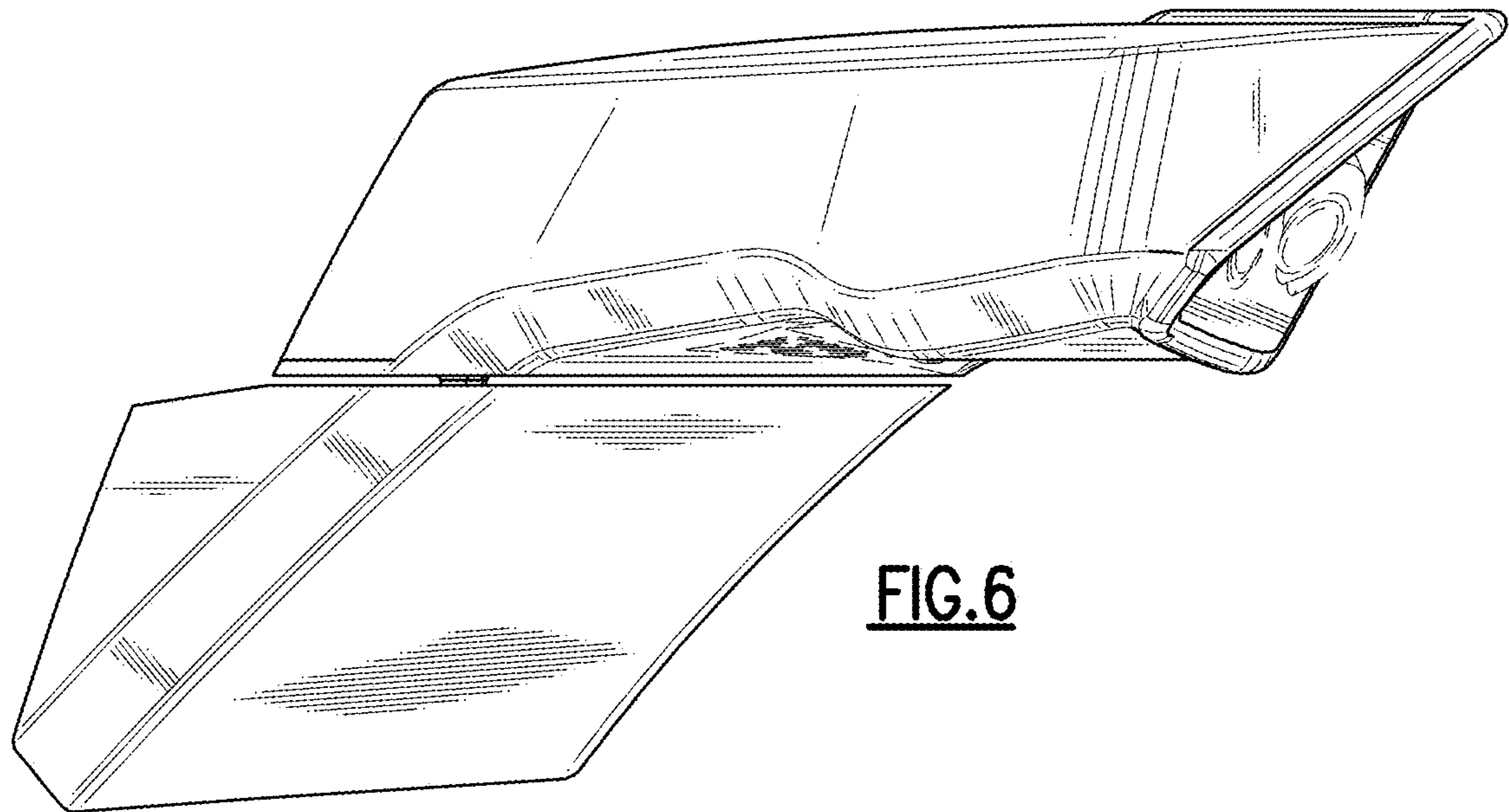


FIG.5



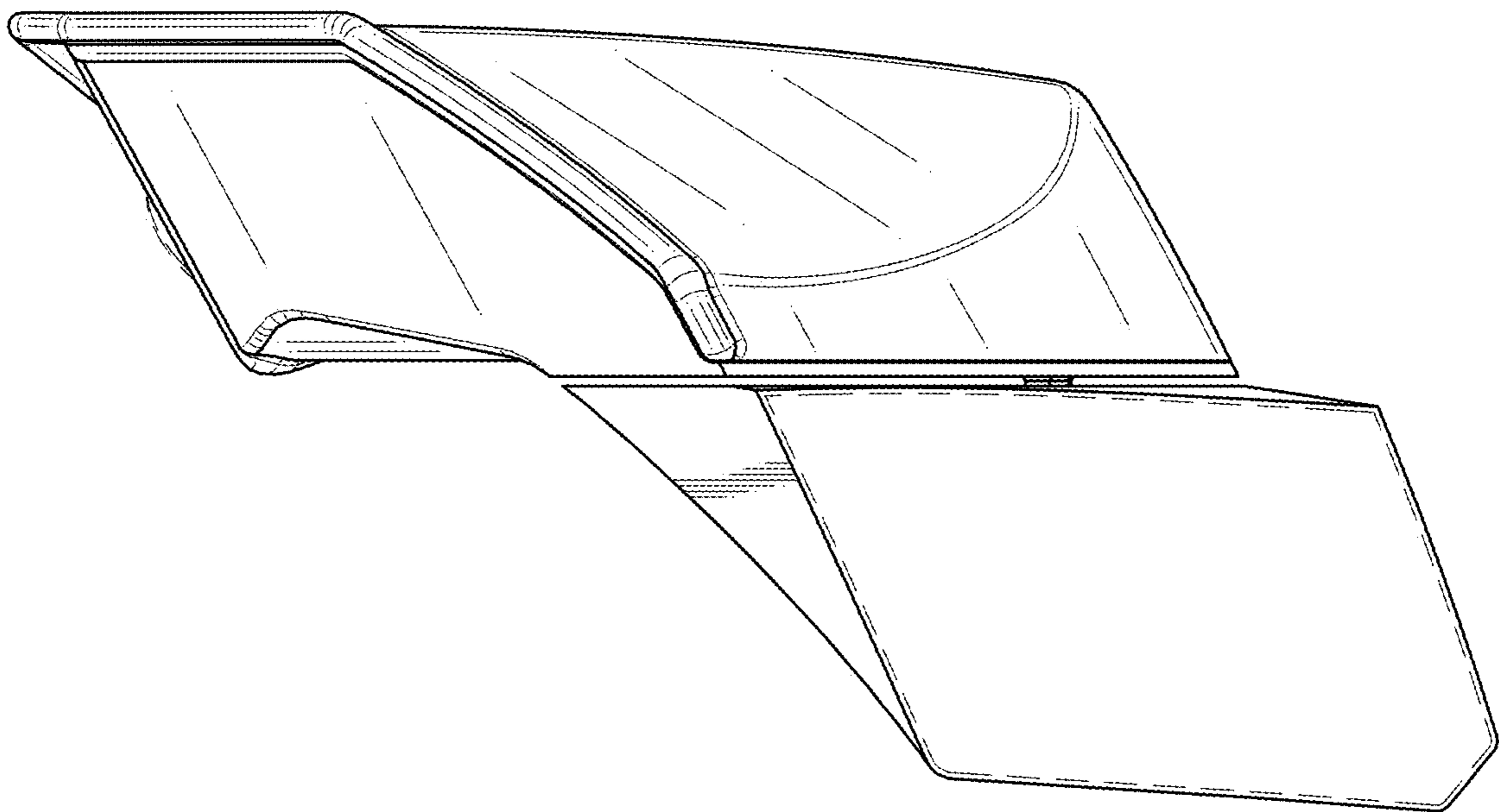


FIG.8

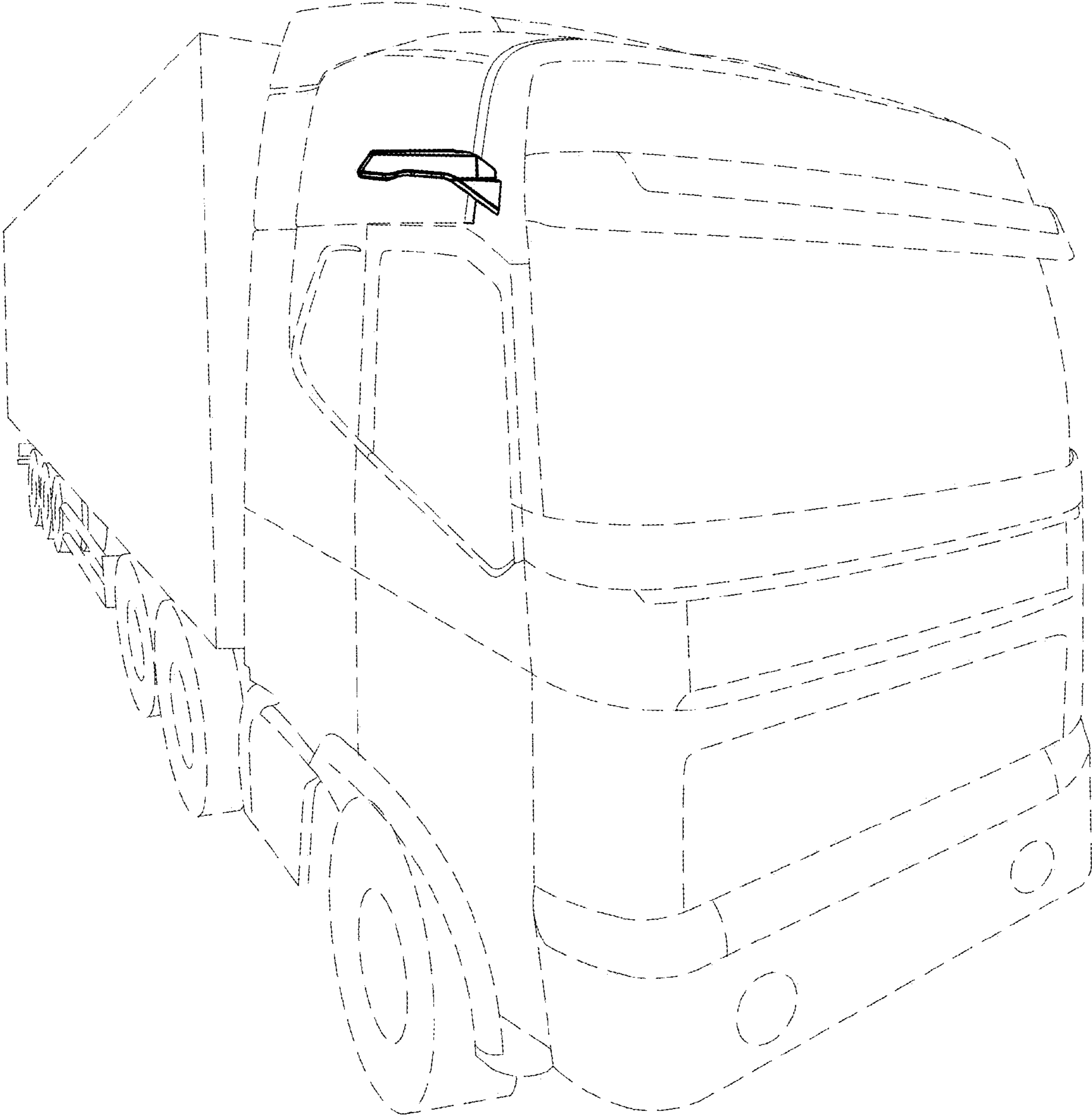


FIG.9

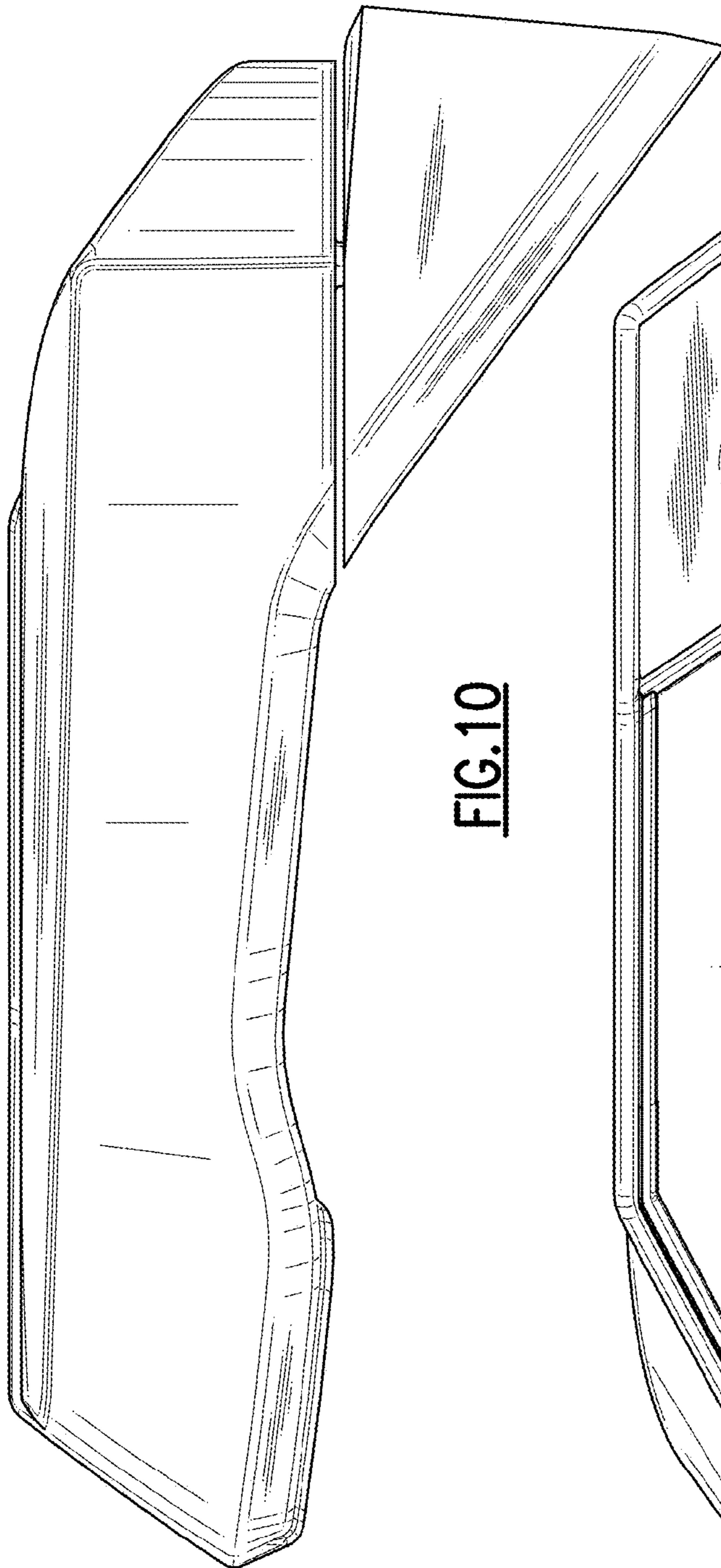


FIG.10

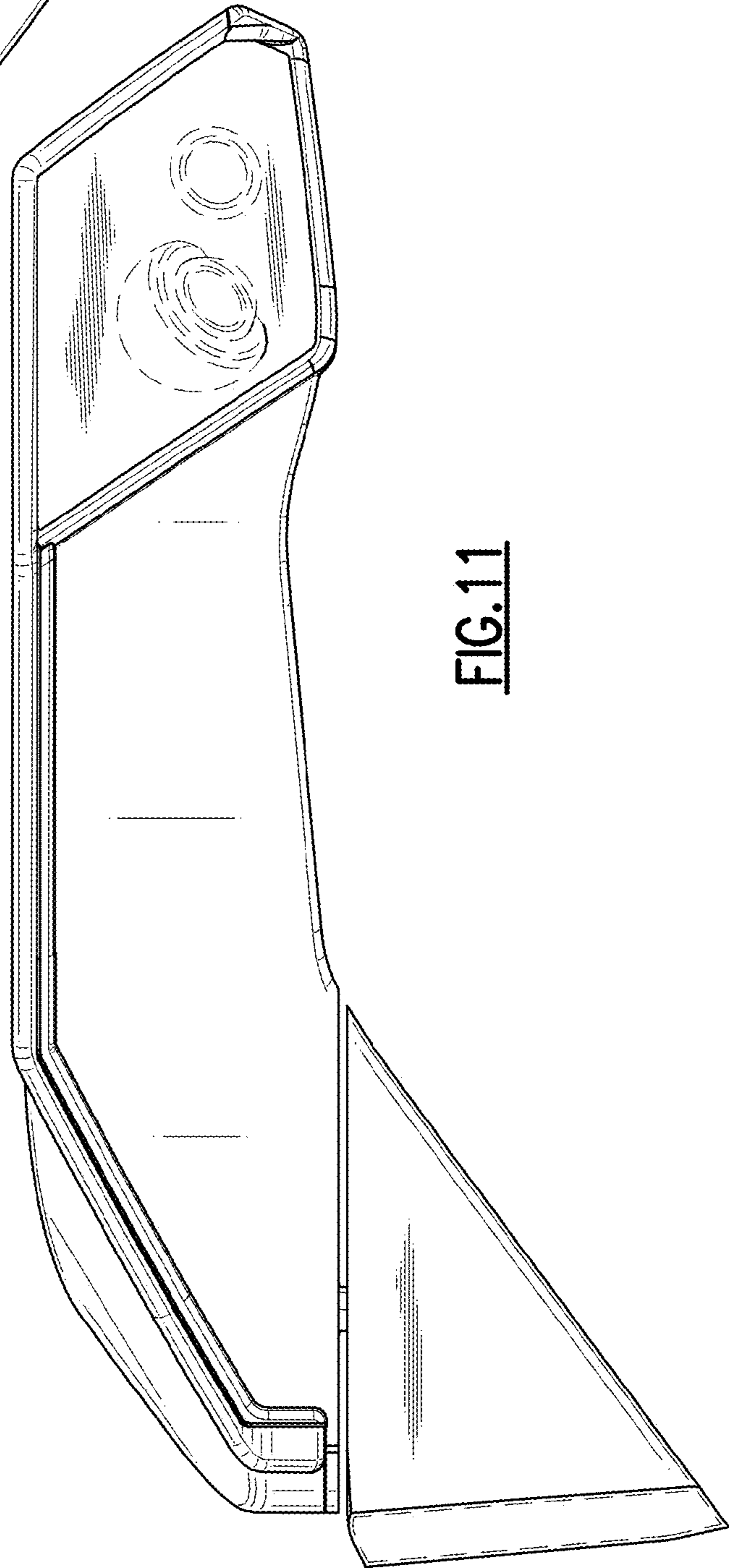


FIG.11

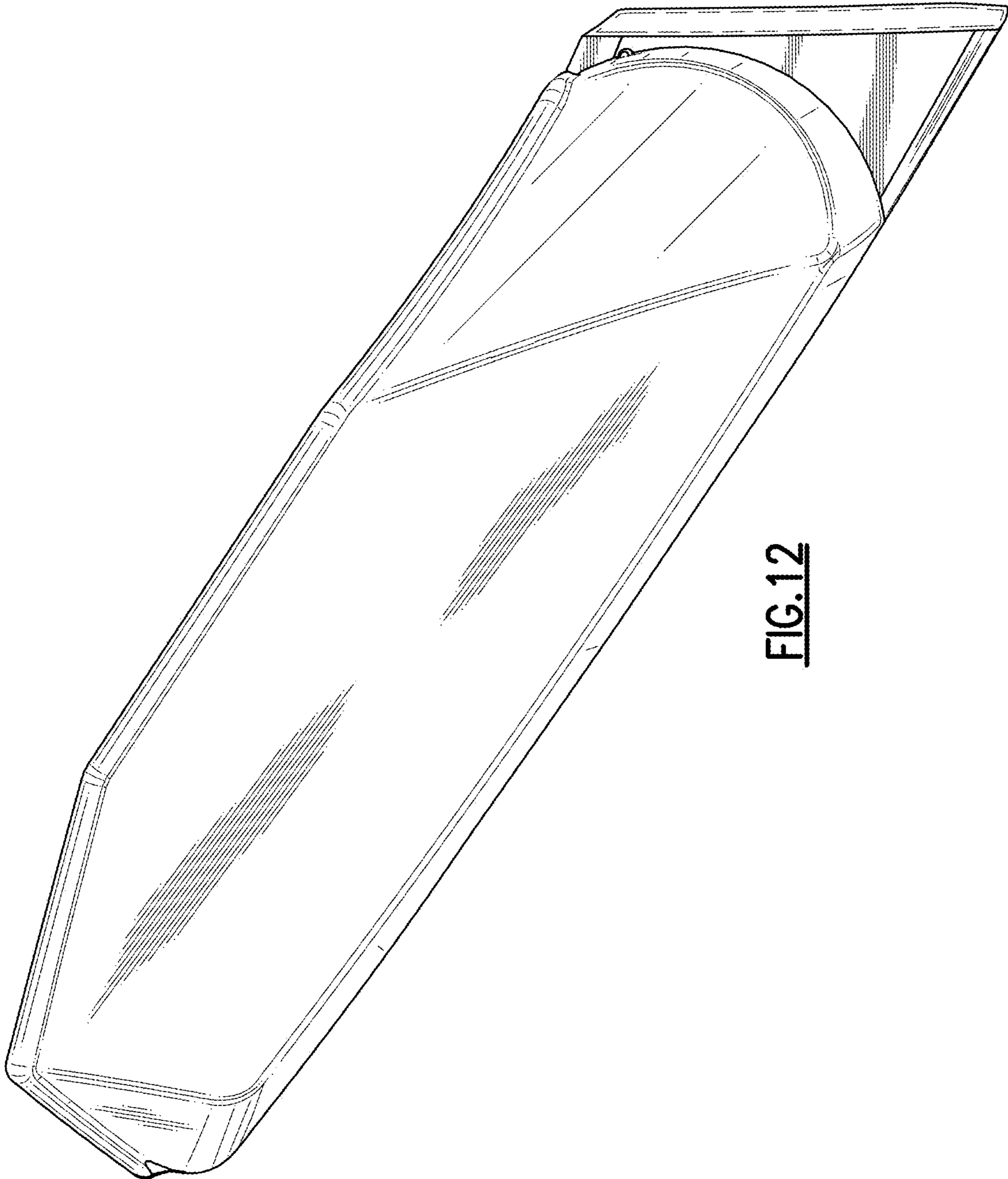


FIG.12

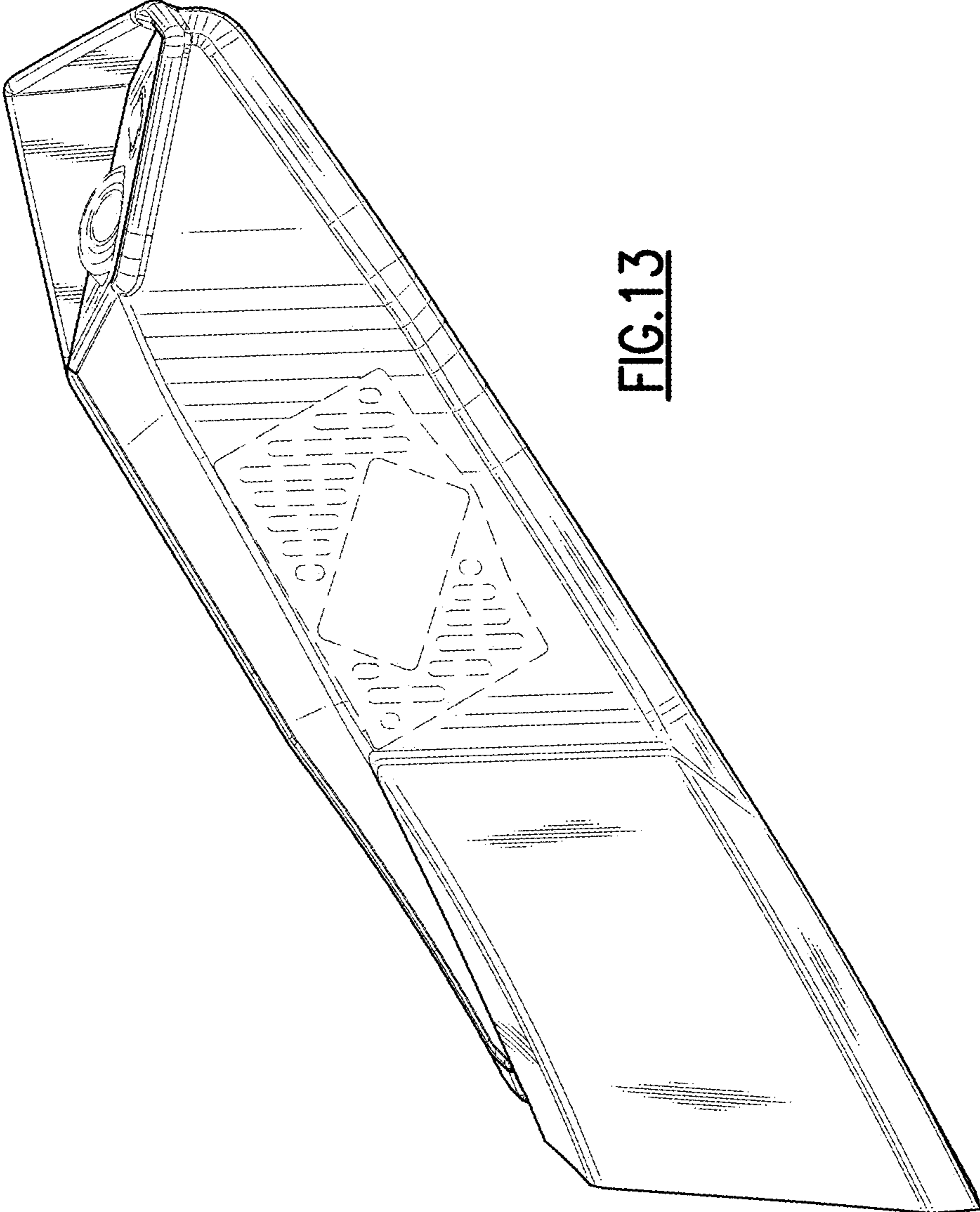
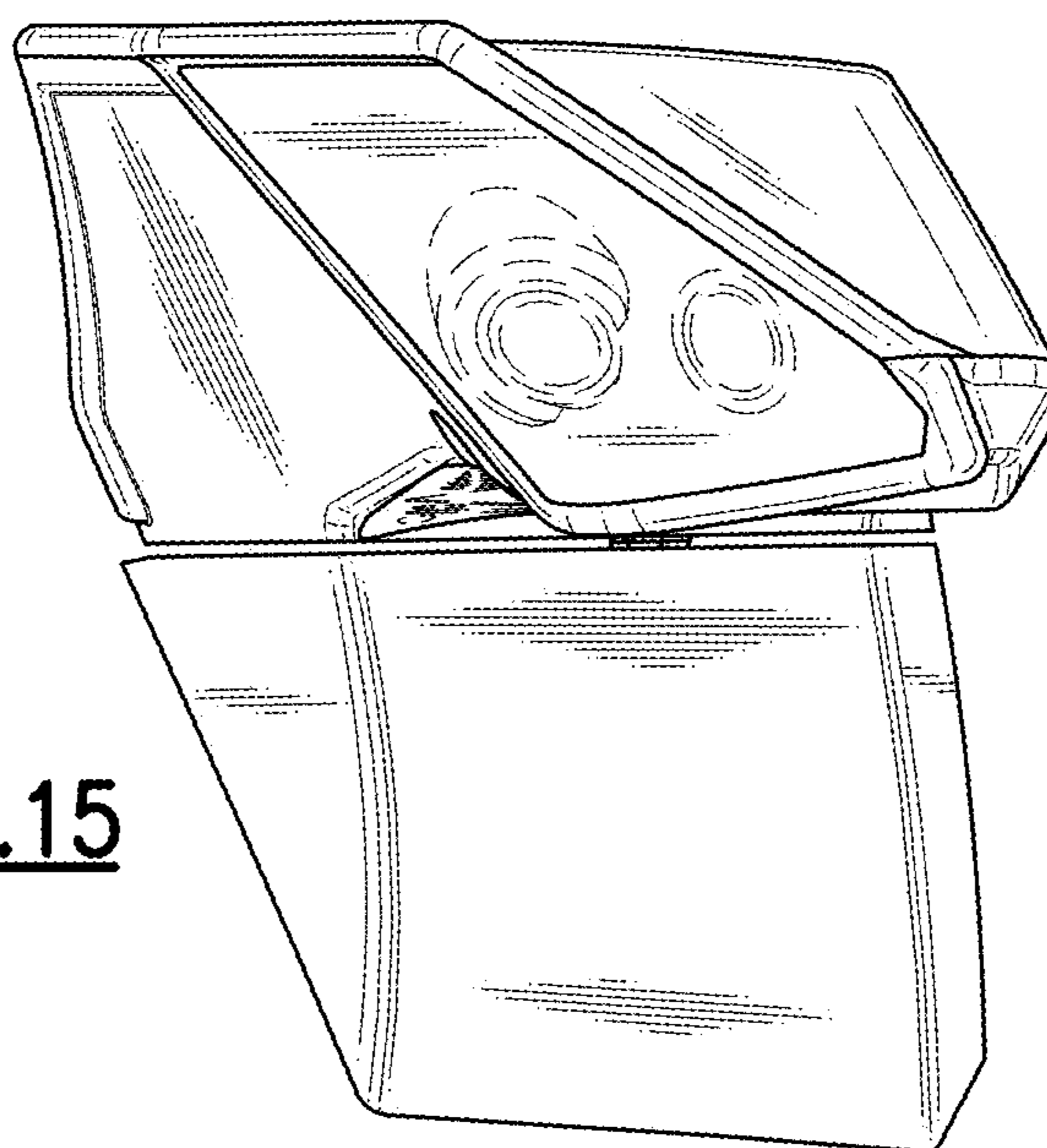
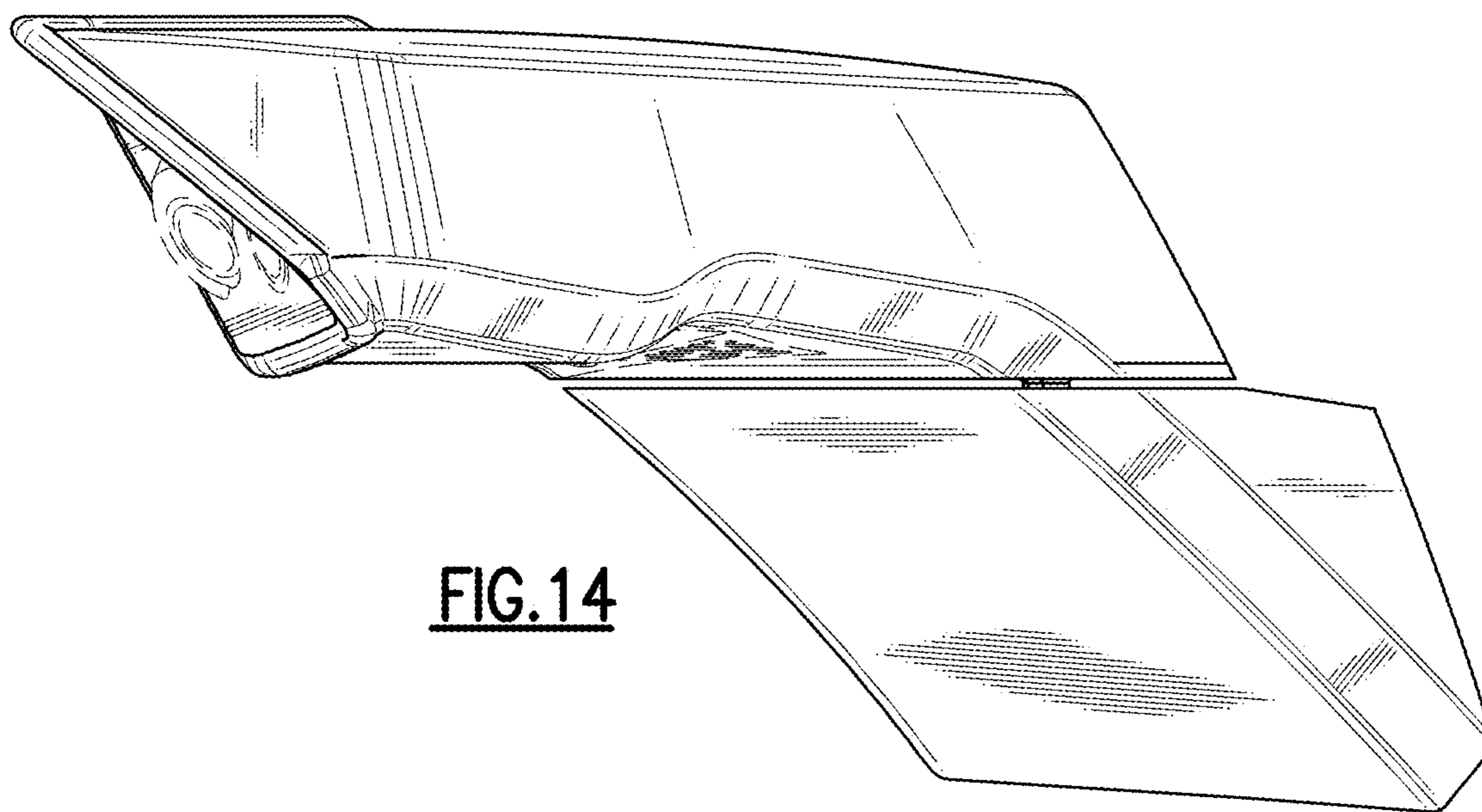


FIG.13



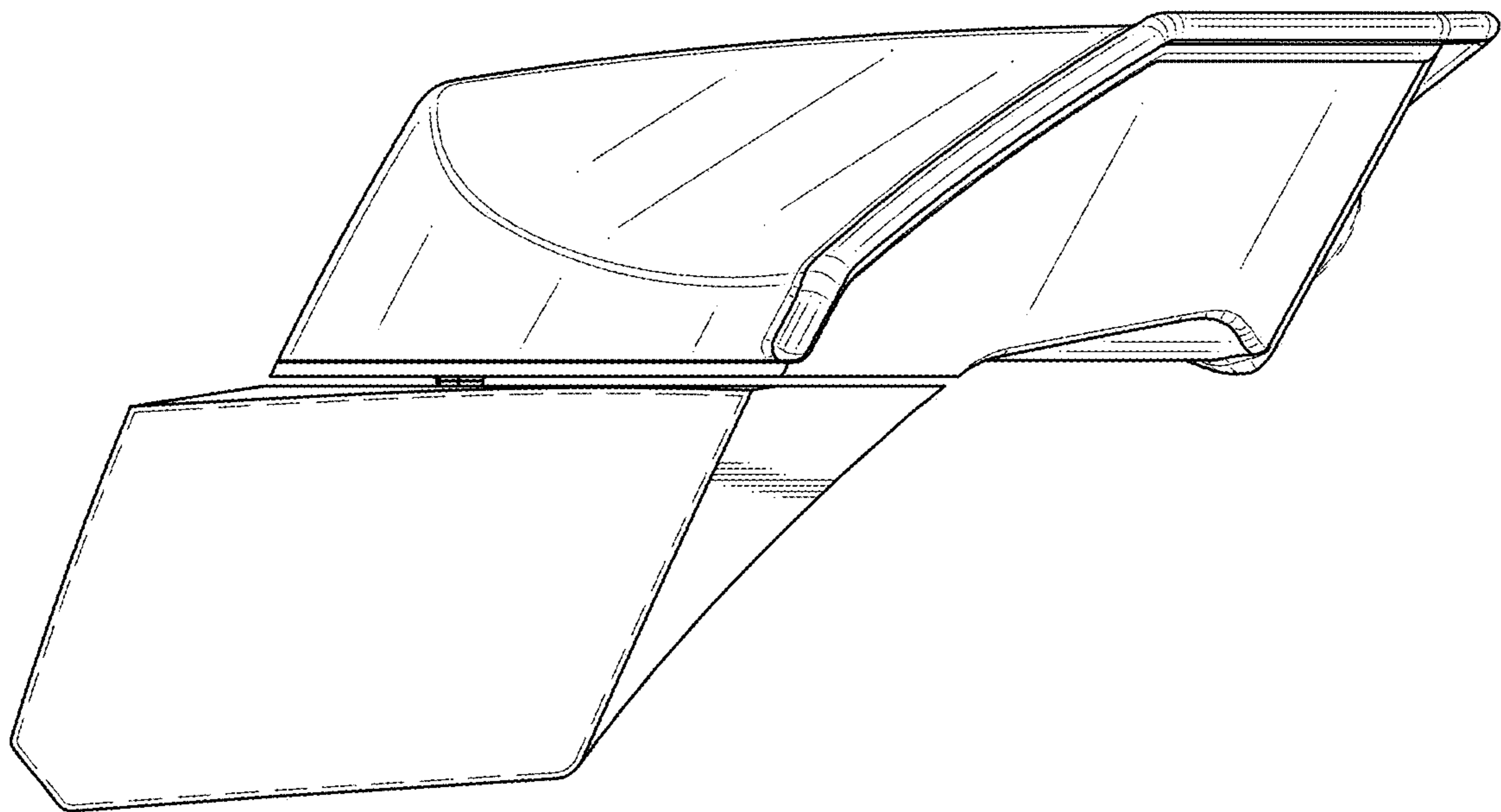


FIG.16