



US00D914078S

(12) **United States Design Patent** (10) **Patent No.:** **US D914,078 S**  
**Deng** (45) **Date of Patent:** **\*\* Mar. 23, 2021**

(54) **PROJECTOR**

(71) Applicant: **Feiyue Deng**, Rong County (CN)

(72) Inventor: **Feiyue Deng**, Rong County (CN)

(\*\*) Term: **15 Years**

(21) Appl. No.: **29/697,707**

(22) Filed: **Jul. 10, 2019**

(51) **LOC (13) Cl.** ..... **16-02**

(52) **U.S. Cl.**  
USPC ..... **D16/230**

(58) **Field of Classification Search**  
USPC ..... D16/221, 225, 227, 229–231, 234, 203,  
D16/208; D21/514; 353/115, 119–120,  
353/122  
CPC ..... G03B 21/145; G03B 21/14; G03B 21/16;  
G03B 21/12; G03B 21/001; G03B  
21/003; G03B 21/00

See application file for complete search history.

(56) **References Cited**

**U.S. PATENT DOCUMENTS**

D356,103 S *	3/1995	Saeki	.....	D16/221
D443,630 S *	6/2001	Salvatori	.....	D16/230
D480,409 S *	10/2003	Wang	.....	D16/225
D482,380 S *	11/2003	Salvatori	.....	D16/230
D488,179 S *	4/2004	Salvatori	.....	D16/225
2004/0041989 A1 *	3/2004	Olson	.....	G03B 21/26 353/122
2010/0328624 A1 *	12/2010	Chang	.....	G03B 21/14 353/85

**OTHER PUBLICATIONS**

Mini Projector. Jul. 2, 2019. Retrieved on Aug. 7, 2020. Retrieved from the Internet: <https://www.amazon.com/Projector-Vamvo-Portable-Supported-Compatible/dp/B07SHFHGQ9>.\*

\* cited by examiner

*Primary Examiner* — Wan Laymon

(74) *Attorney, Agent, or Firm* — Hemisphere Law, PLLC; Zhigang Ma

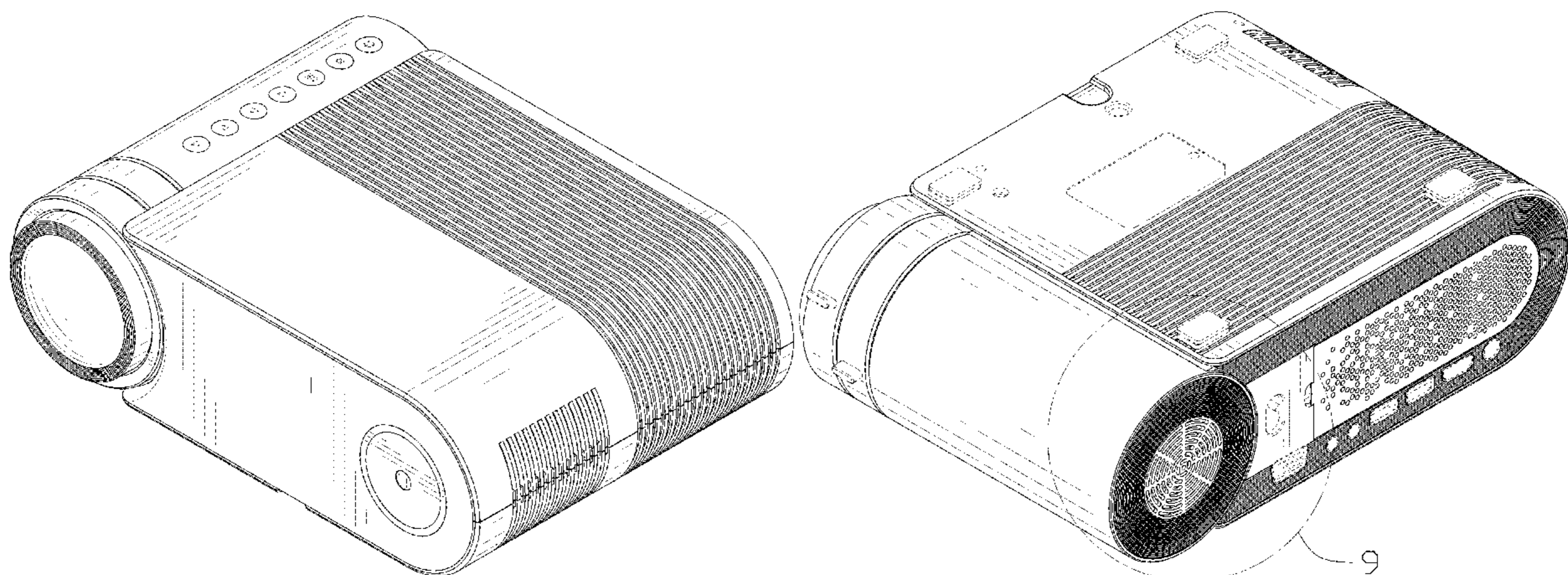
(57) **CLAIM**

The ornamental design for a projector, as shown and described.

**DESCRIPTION**

FIG. 1 is a perspective view of a projector showing my new design;  
FIG. 2 is another perspective view seen from the back side thereof;  
FIG. 3 is a front elevational view thereof;  
FIG. 4 is a rear elevational view thereof;  
FIG. 5 is a left side elevational view thereof;  
FIG. 6 is a right side elevational view thereof;  
FIG. 7 is a top plan view thereof;  
FIG. 8 is a bottom plan view thereof;  
FIG. 9 is an enlarged, partial perspective view showing back portion thereof, as designated by label 9 in FIG. 2;  
FIG. 10 is a sectional view thereof along a line A-A, as indicated in FIG. 7;  
FIG. 11 is an enlarged, partial sectional view thereof as designated by label 11 in FIG. 10; and,  
FIG. 12 is an enlarged, partial sectional view showing a projecting head thereof, as designated by label 12 in FIG. 10. The broken lines are for illustrating unclaimed portions of the projector or environmental structures, the broken lines form no part of the claimed design.

**1 Claim, 12 Drawing Sheets**



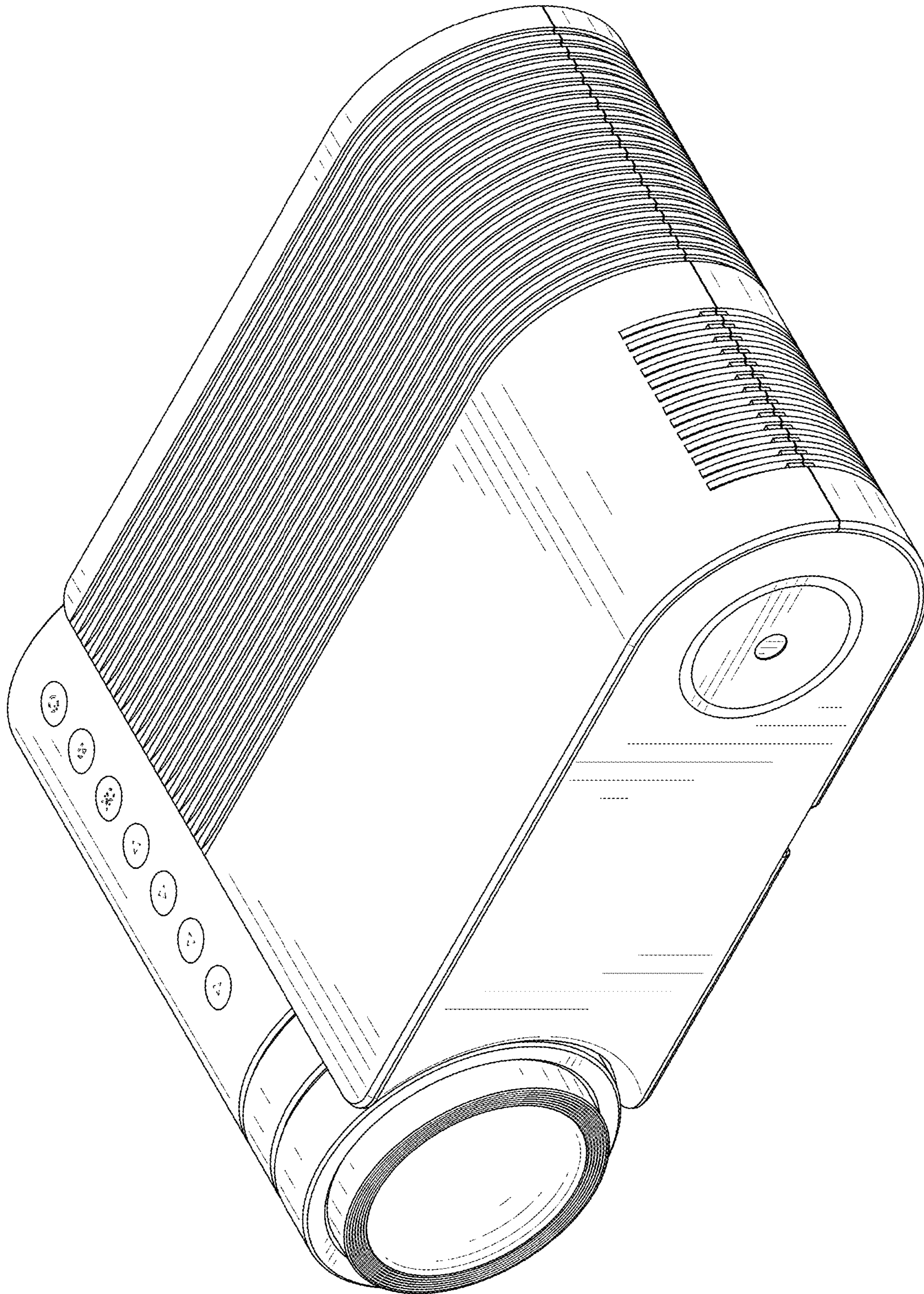


FIG. 1

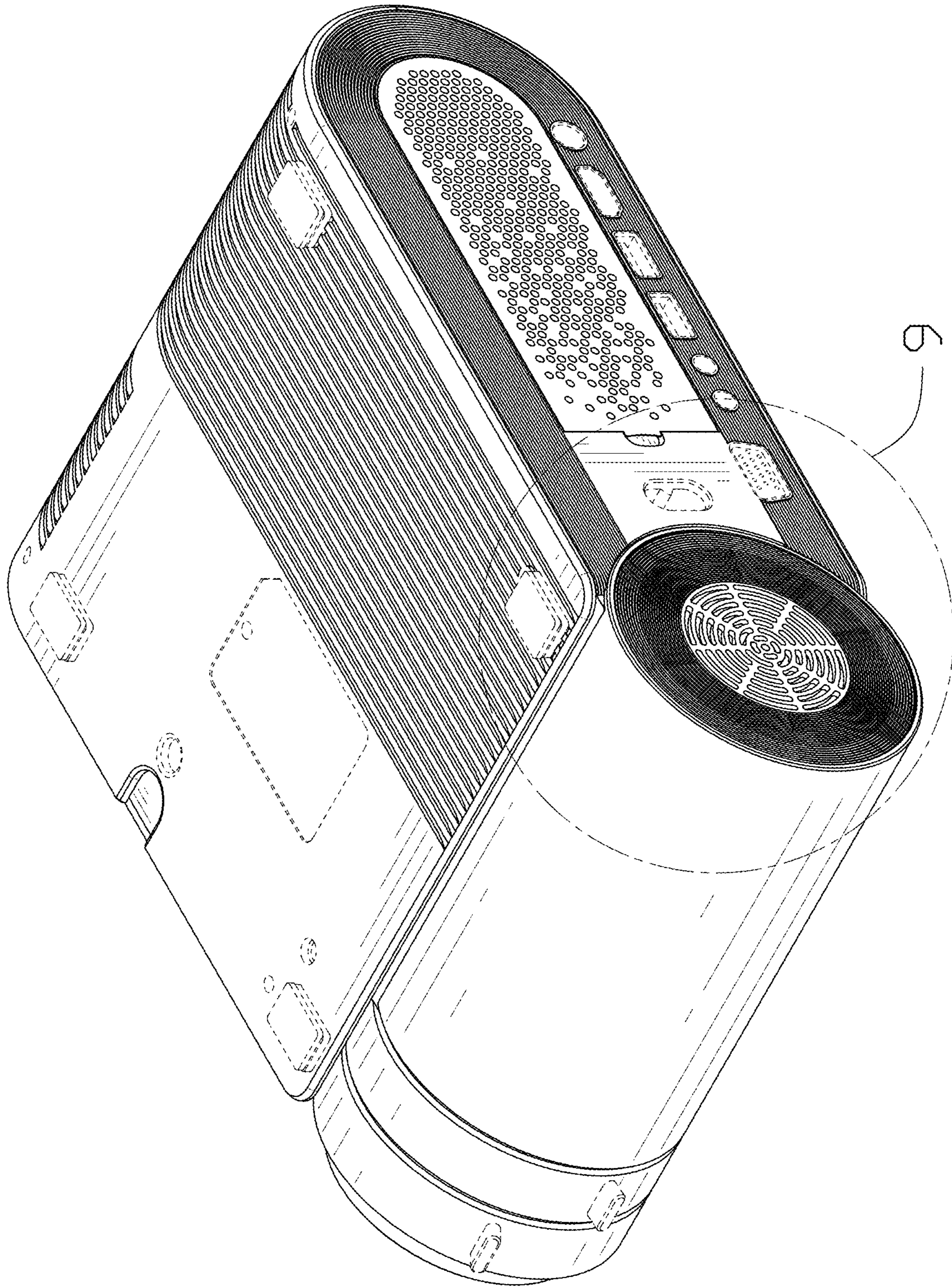


FIG. 2

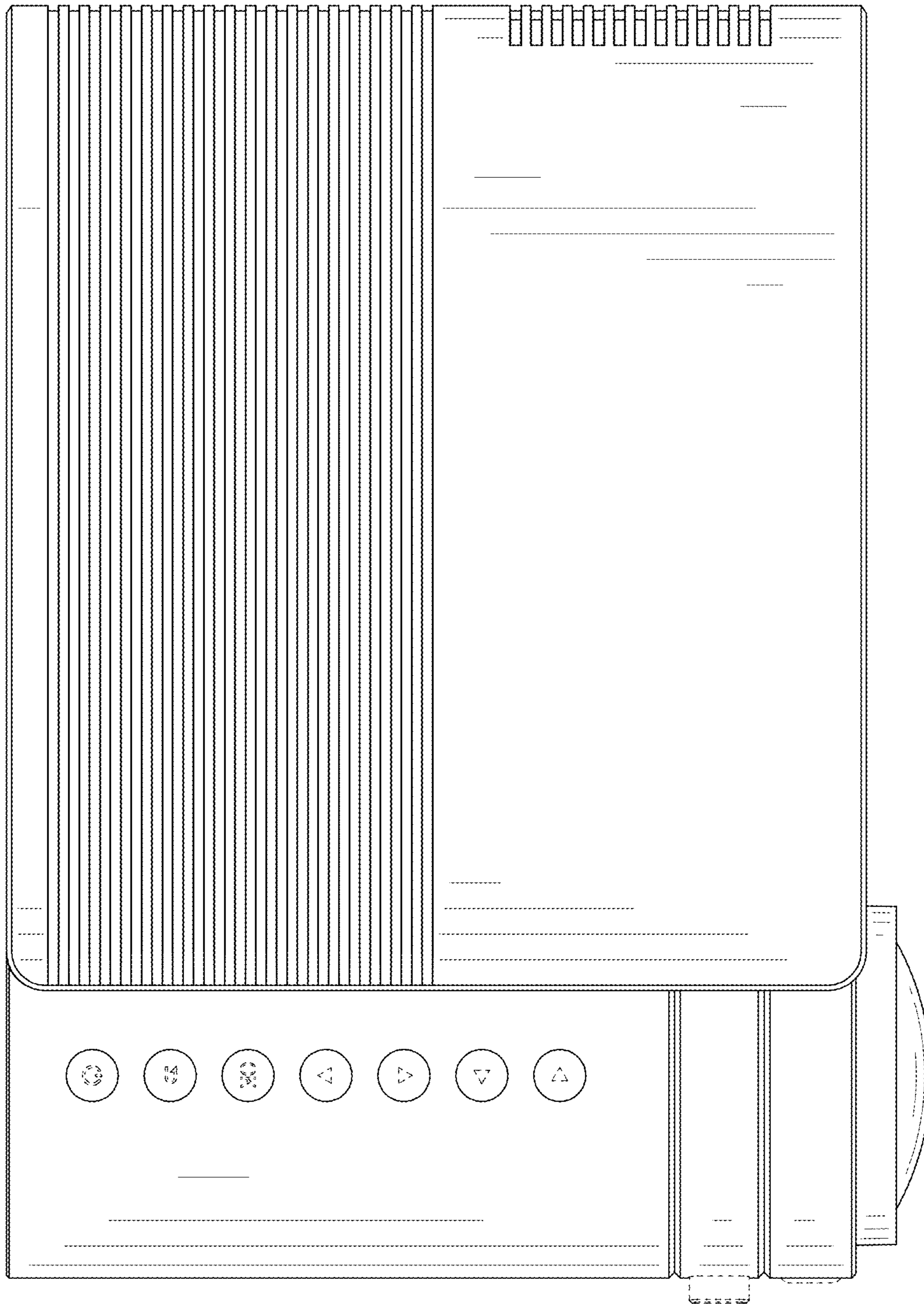


FIG. 3

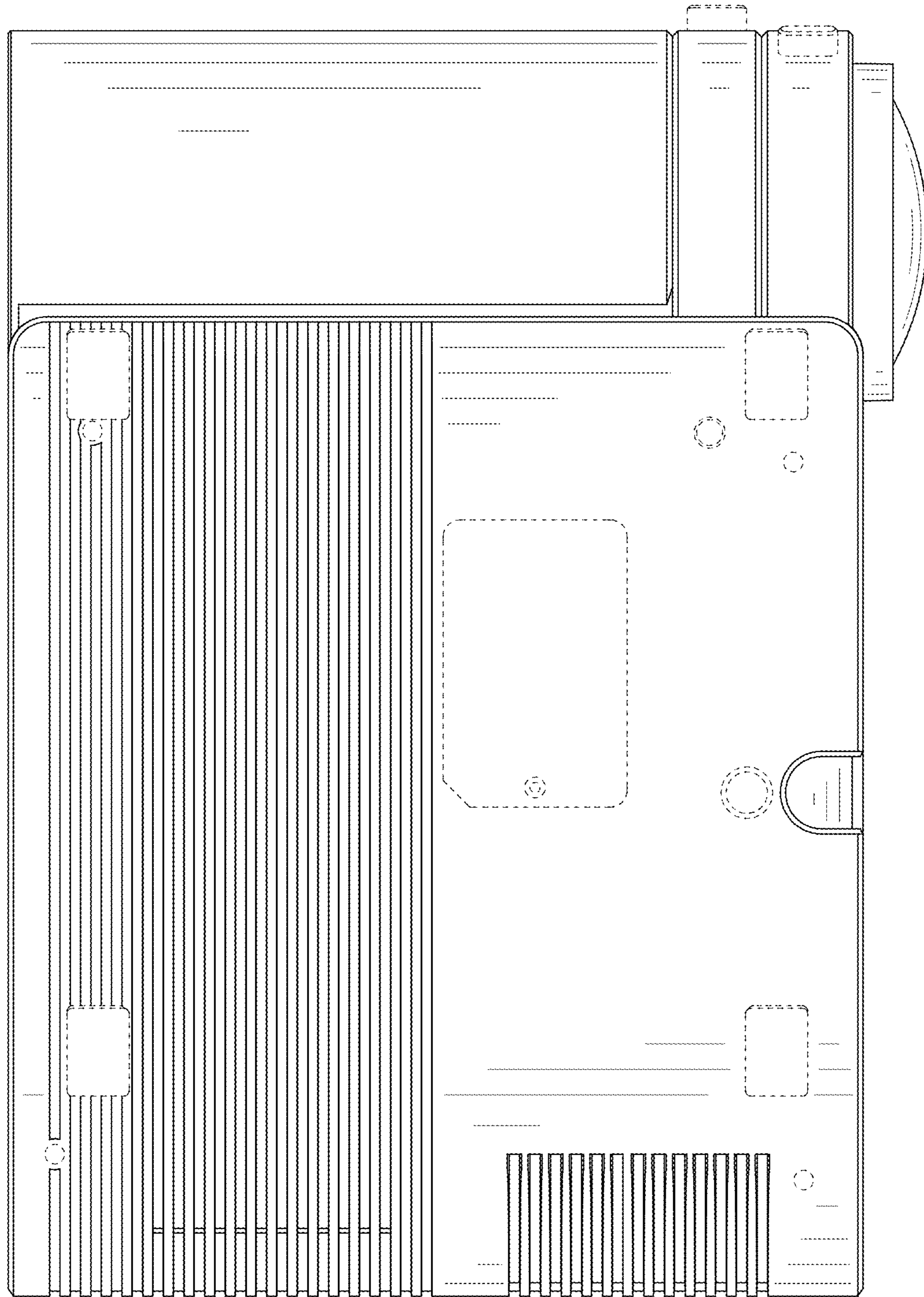


FIG. 4

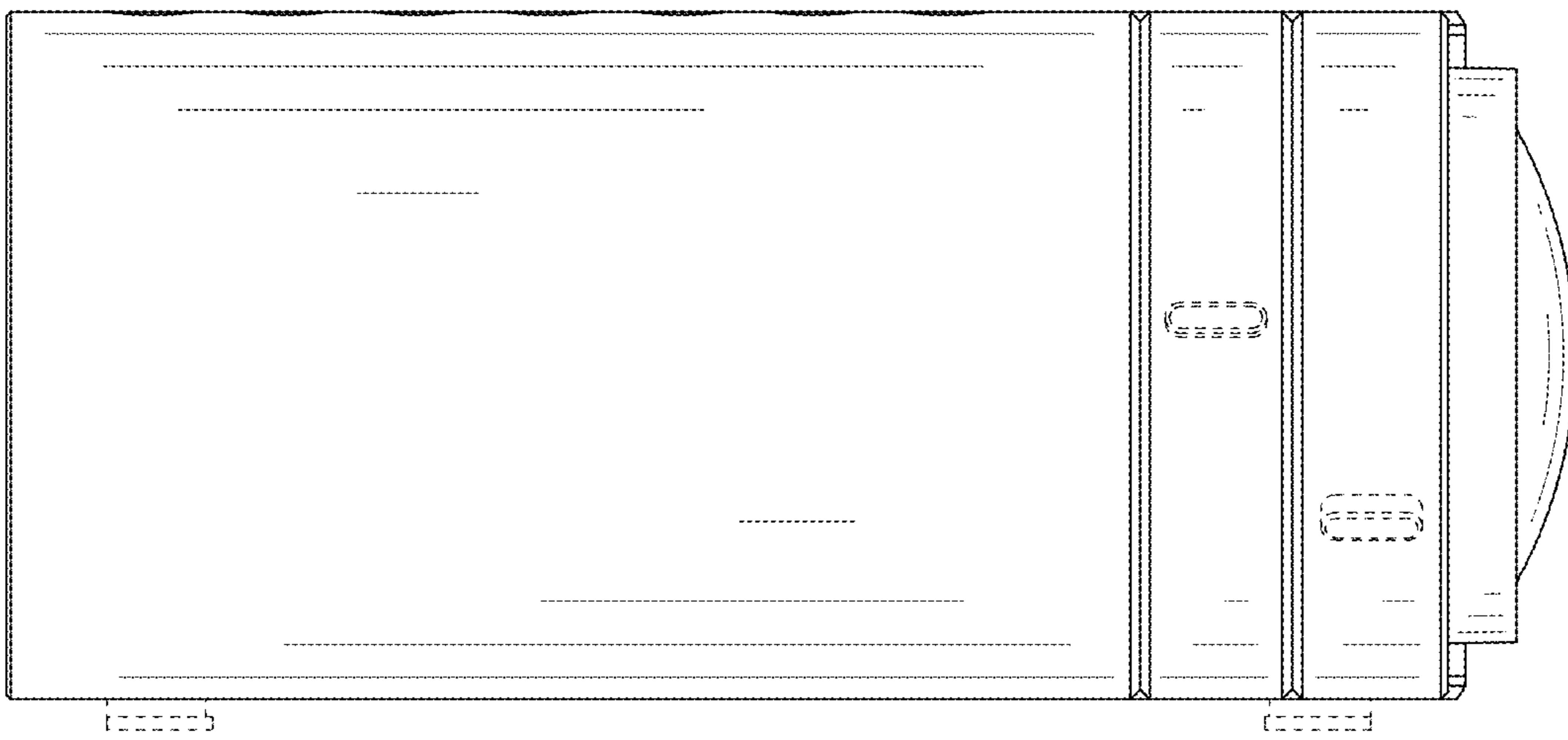


FIG. 5

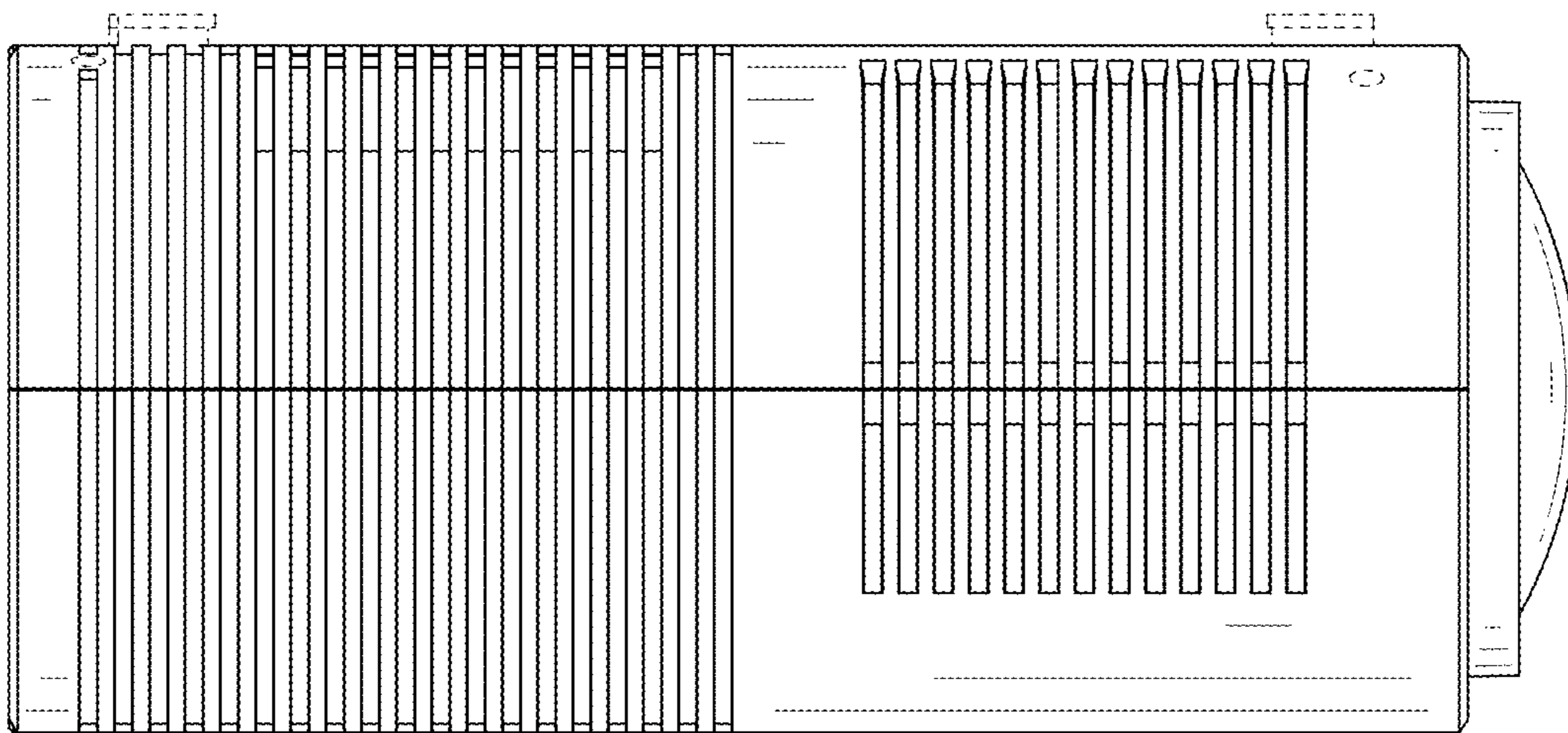


FIG. 6

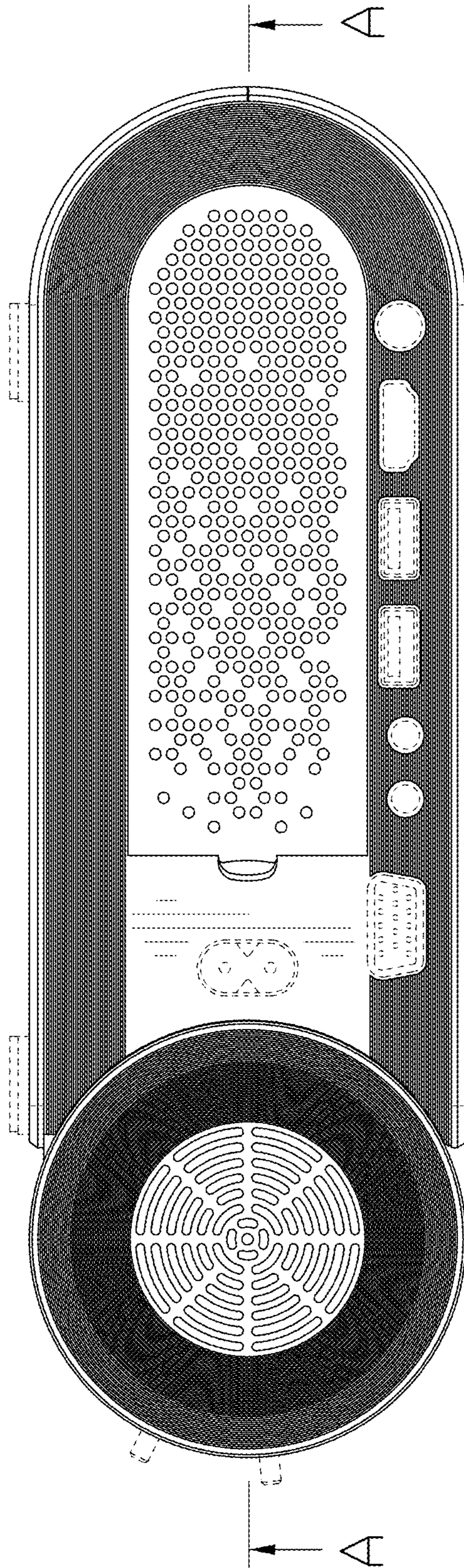


FIG. 7



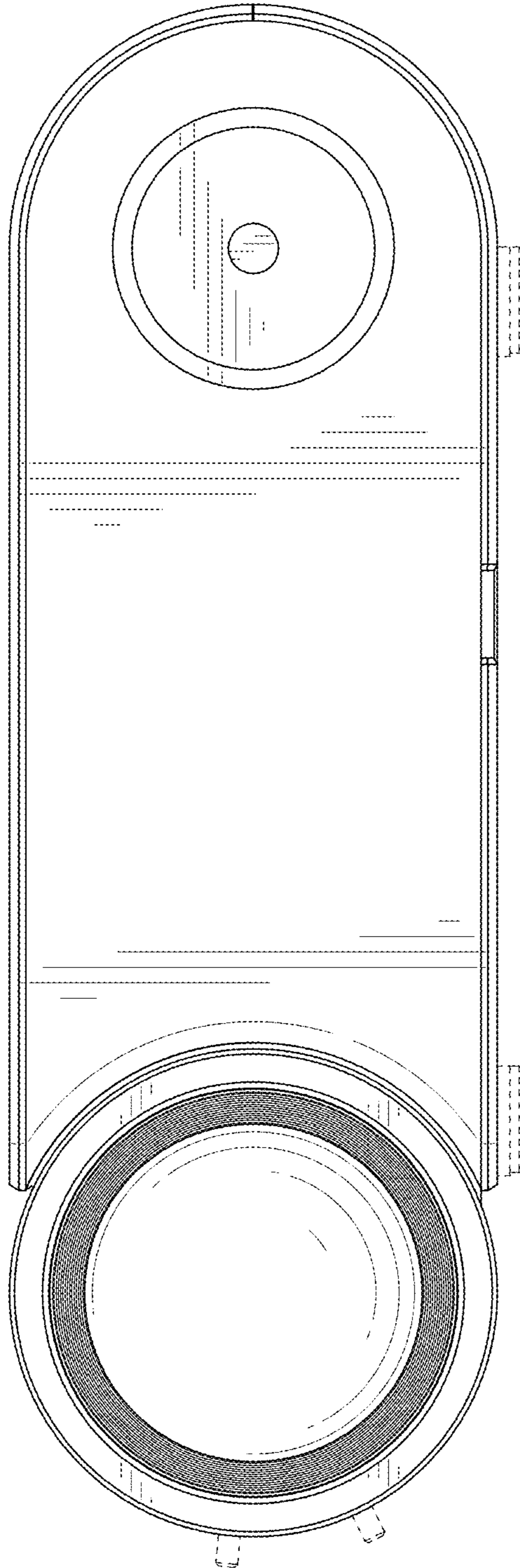


FIG. 8

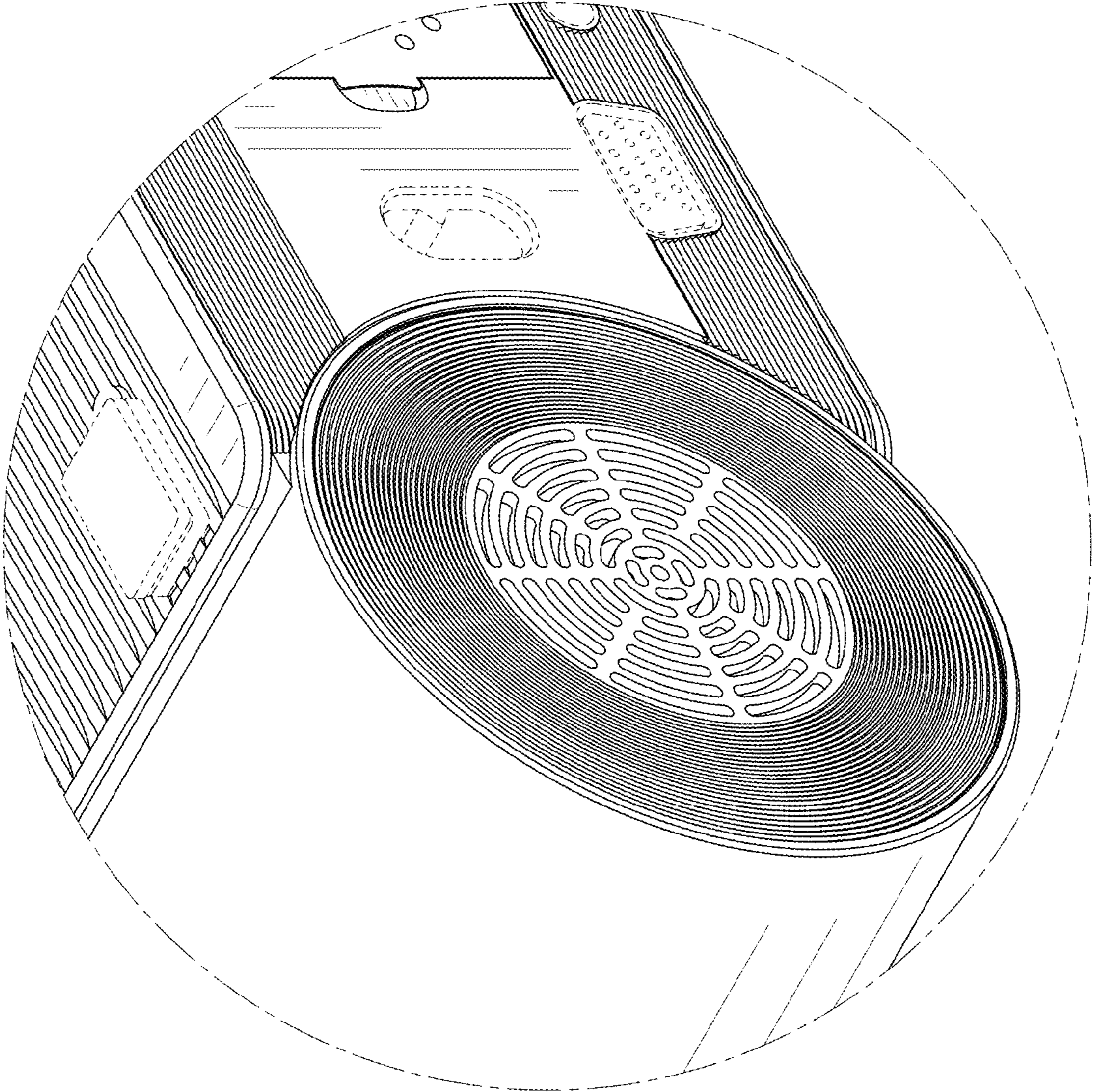


FIG. 9

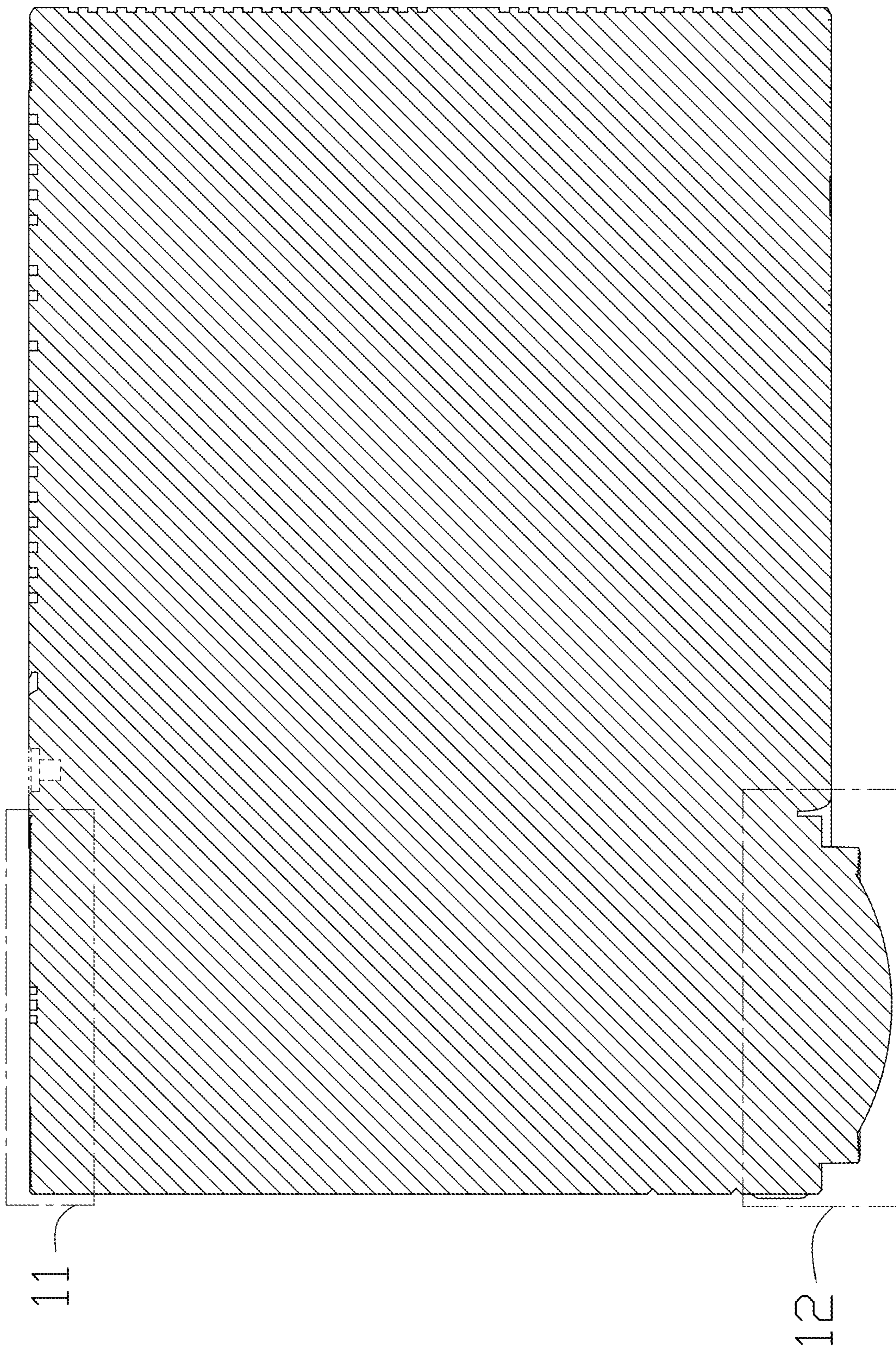


FIG. 10

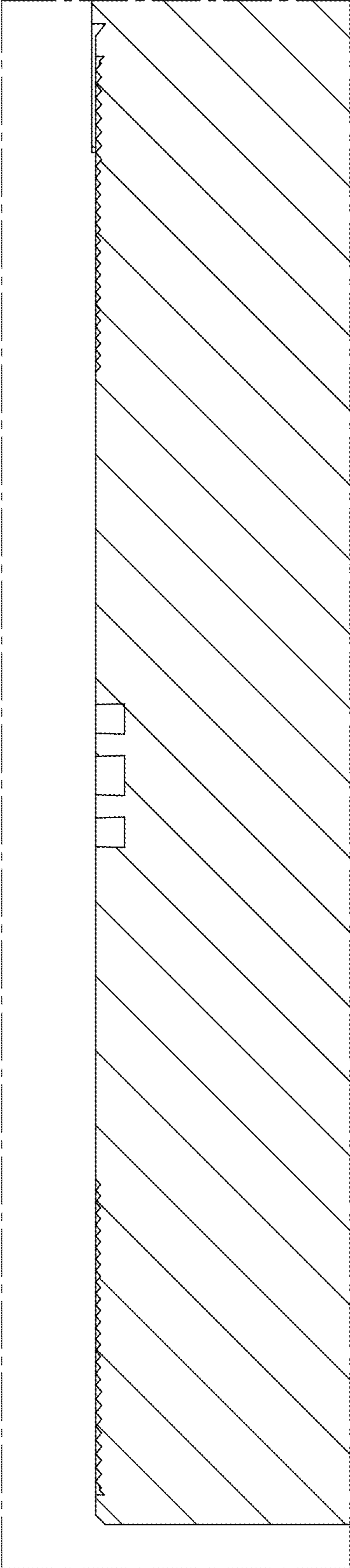


FIG. 11

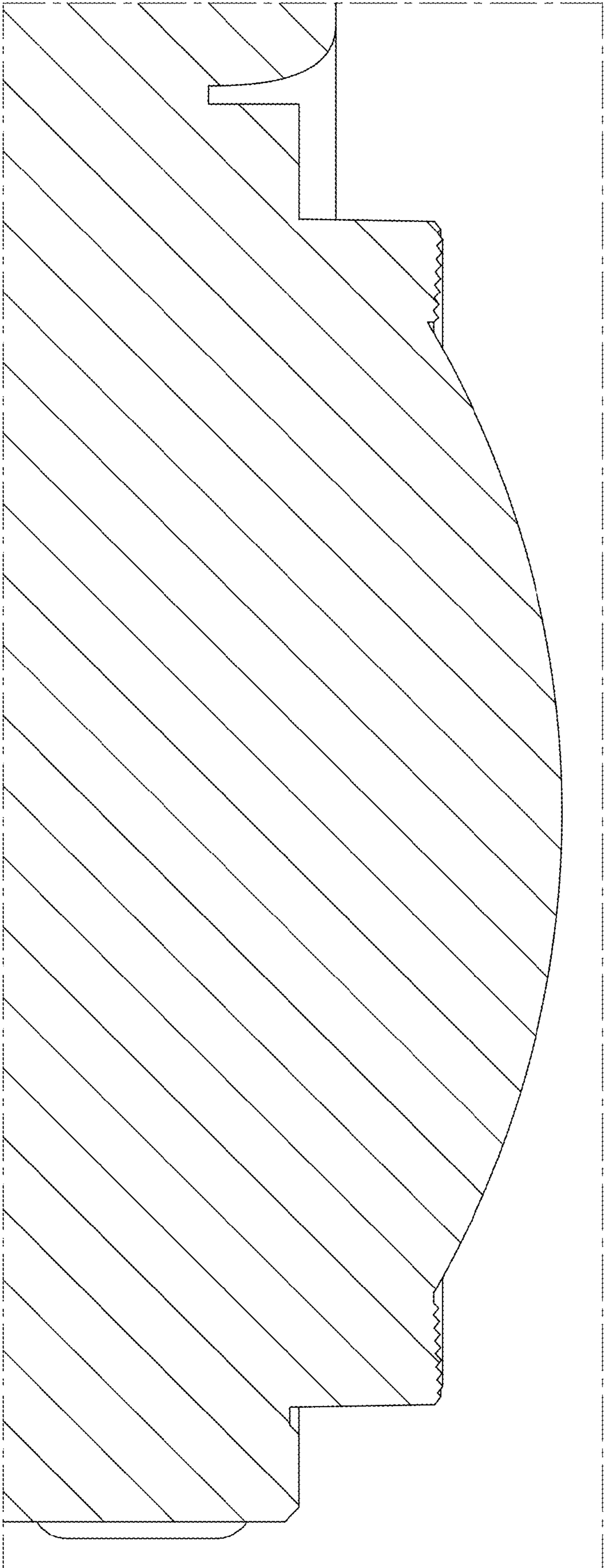


FIG. 12