



US00D914075S

(12) **United States Design Patent**
Sokuza

(10) **Patent No.:** **US D914,075 S**

(45) **Date of Patent:** **** Mar. 23, 2021**

- (54) **AUTOMATIC GUIDED VEHICLE**
- (71) Applicant: **NIDEC-SHIMPO CORPORATION**,
Kyoto (JP)
- (72) Inventor: **Masashi Sokuza**, Kyoto (JP)
- (73) Assignee: **NIDEC-SHIMPO CORPORATION**,
Kyoto (JP)
- (**) Term: **15 Years**
- (21) Appl. No.: **29/706,423**
- (22) Filed: **Sep. 20, 2019**
- (30) **Foreign Application Priority Data**
Mar. 22, 2019 (JP) 2019-006088
- (51) **LOC (13) Cl.** **15-99**
- (52) **U.S. Cl.**
USPC **D15/199; D34/34**
- (58) **Field of Classification Search**
USPC D15/199; D21/578-583, 621, 622;
D32/21; D34/34
CPC B23K 9/133; B23K 9/287; B25J 9/0018;
B25J 19/0025; Y10T 74/20; Y10T
74/20207; Y10T 74/20311; Y10T
74/20305; Y10S 901/01
See application file for complete search history.

- (56) **References Cited**
U.S. PATENT DOCUMENTS
4,137,984 A * 2/1979 Jennings B62D 1/28
180/168
D295,105 S * 4/1988 Dawson D34/18
5,127,486 A * 7/1992 Yardley B62D 1/28
180/168
D625,059 S * 10/2010 Morenstein D32/21
8,898,844 B1 * 12/2014 Dooley A47L 11/10
15/319

- D722,631 S * 2/2015 Stone D12/1
- D743,647 S * 11/2015 Heck D32/21
- D810,799 S * 2/2018 Sokuza D15/199
- D812,663 S * 3/2018 Waters D15/199
- D837,852 S * 1/2019 Nilsson D15/199
- D839,331 S * 1/2019 Nilsson D15/199
- D843,888 S * 3/2019 Wang D12/16.1
- D856,389 S * 8/2019 Gayne D15/199
- D863,387 S * 10/2019 Wang D15/199
- D864,270 S * 10/2019 Hu D15/199
- D865,021 S * 10/2019 Hu D15/199
- D870,165 S * 12/2019 Hacikyan D15/124
- D871,475 S * 12/2019 Kolb D15/199
- D871,476 S * 12/2019 Kolb D15/199
- D871,477 S * 12/2019 Kolb D15/199

(Continued)

Primary Examiner — Patricia A Palasik
(74) *Attorney, Agent, or Firm* — JCIPRNET

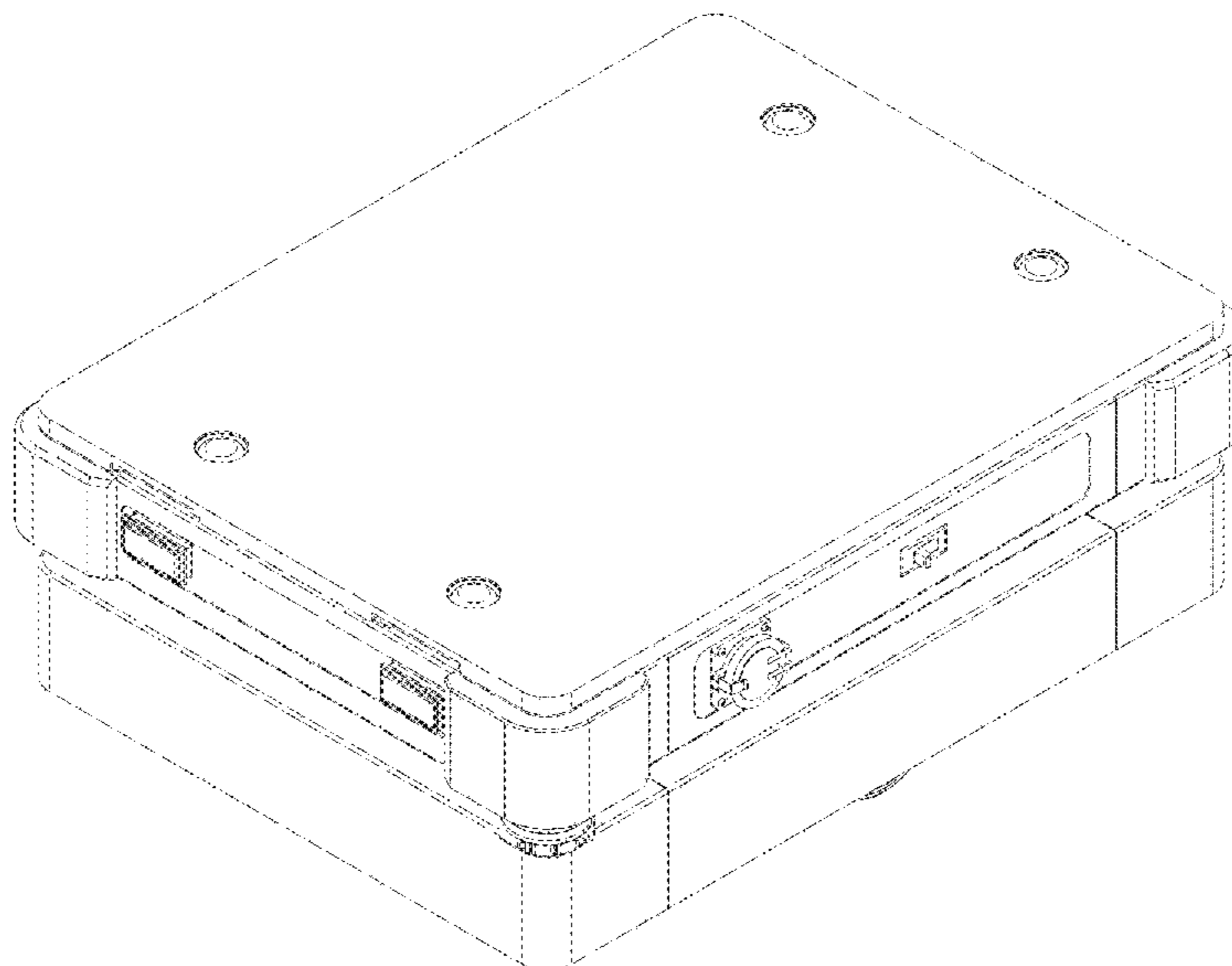
(57) **CLAIM**

The ornamental design for an automatic guided vehicle, as shown and described.

DESCRIPTION

FIG. 1 is a perspective view of an automatic guided vehicle showing my new design;
 FIG. 2 is another perspective view thereof;
 FIG. 3 is a front view thereof;
 FIG. 4 is a rear view thereof;
 FIG. 5 is a left side view thereof;
 FIG. 6 is a right side view thereof;
 FIG. 7 is a top view thereof; and,
 FIG. 8 is another rear view thereof, shown in environmental use, wherein an object to be conveyed is disposed on the present design on a walking surface.
 A bottom view of the present design is omitted since it does not contain ornamental features. The dash lines in FIG. 8 represent the object to be conveyed and the walking surface that are the environments only and form no part of the claimed design.

1 Claim, 6 Drawing Sheets



(56)

References Cited

U.S. PATENT DOCUMENTS

D871,478 S * 12/2019 Wang D15/199
D873,173 S * 1/2020 Brucker D12/1
D873,174 S * 1/2020 Sokuza D12/1
D879,851 S * 3/2020 Li D15/199
D880,550 S * 4/2020 Sokuza D15/199
D886,173 S * 6/2020 Sokuza D15/199
D887,468 S * 6/2020 Hirvesaar D15/199
D888,790 S * 6/2020 Yao D15/199
D890,239 S * 7/2020 Srivastava D15/199
D893,570 S * 8/2020 Zheng D15/199
D896,858 S * 9/2020 Kapuria D15/199
D898,790 S * 10/2020 Sokuza D15/199
D899,475 S * 10/2020 Xiao D15/199
2015/0224640 A1 * 8/2015 Vu B25J 19/023
700/259
2017/0038776 A1 * 2/2017 Gariepy G05D 1/0022
2018/0099810 A1 * 4/2018 Wu B66F 3/08
2019/0270472 A1 * 9/2019 Akamatsu B62B 5/0093
2019/0332115 A1 * 10/2019 Lim G06T 7/74

* cited by examiner

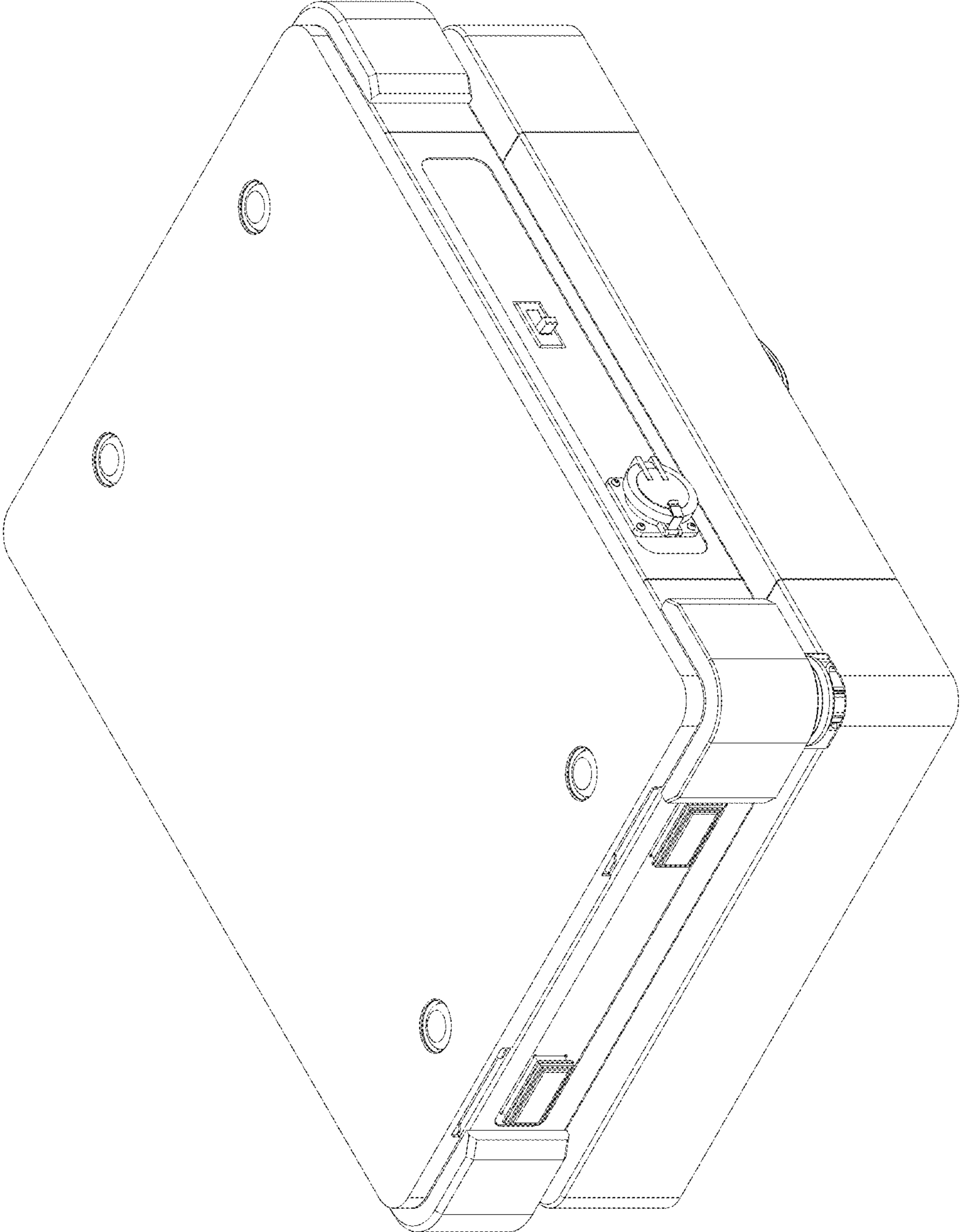


FIG. 1

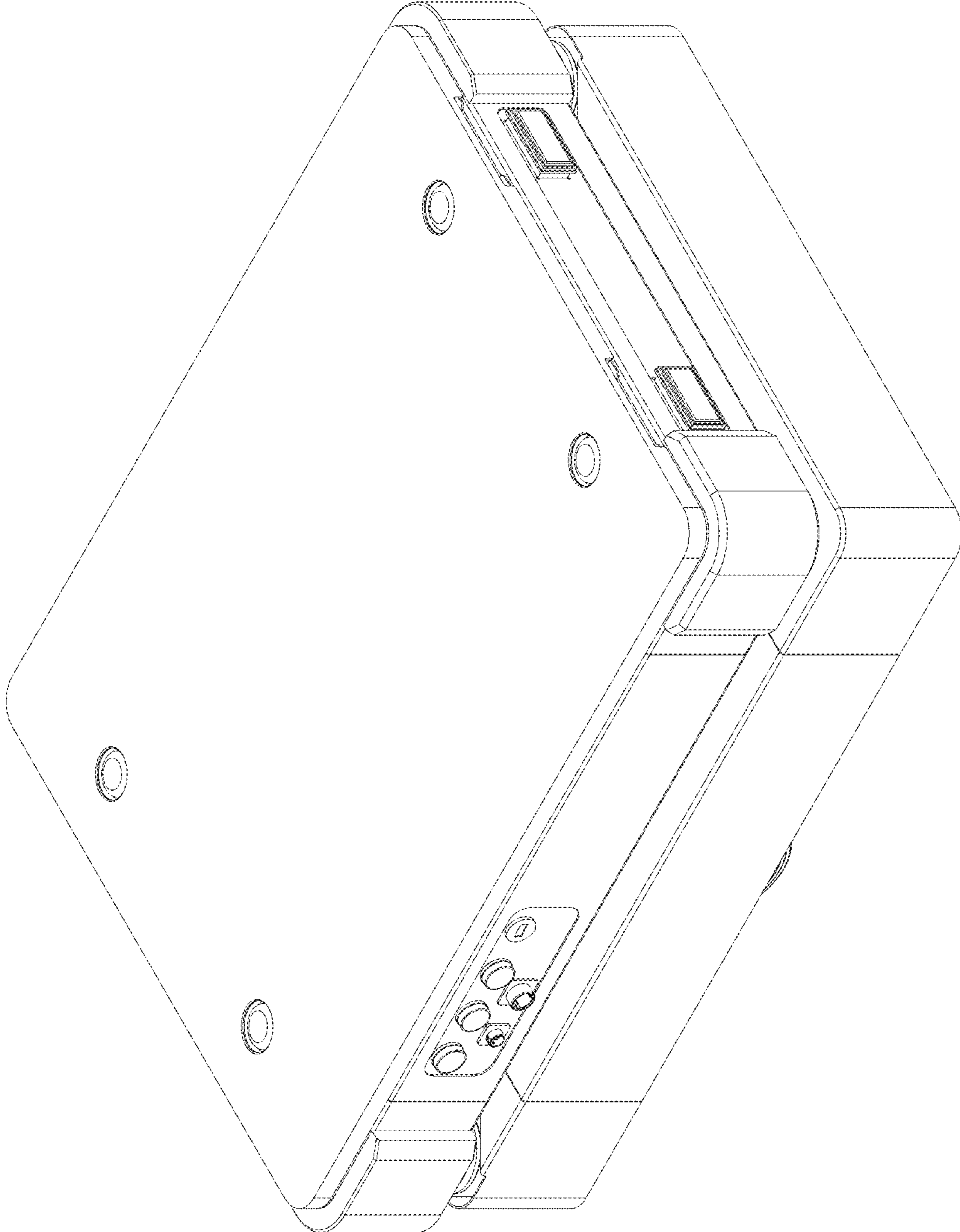


FIG. 2

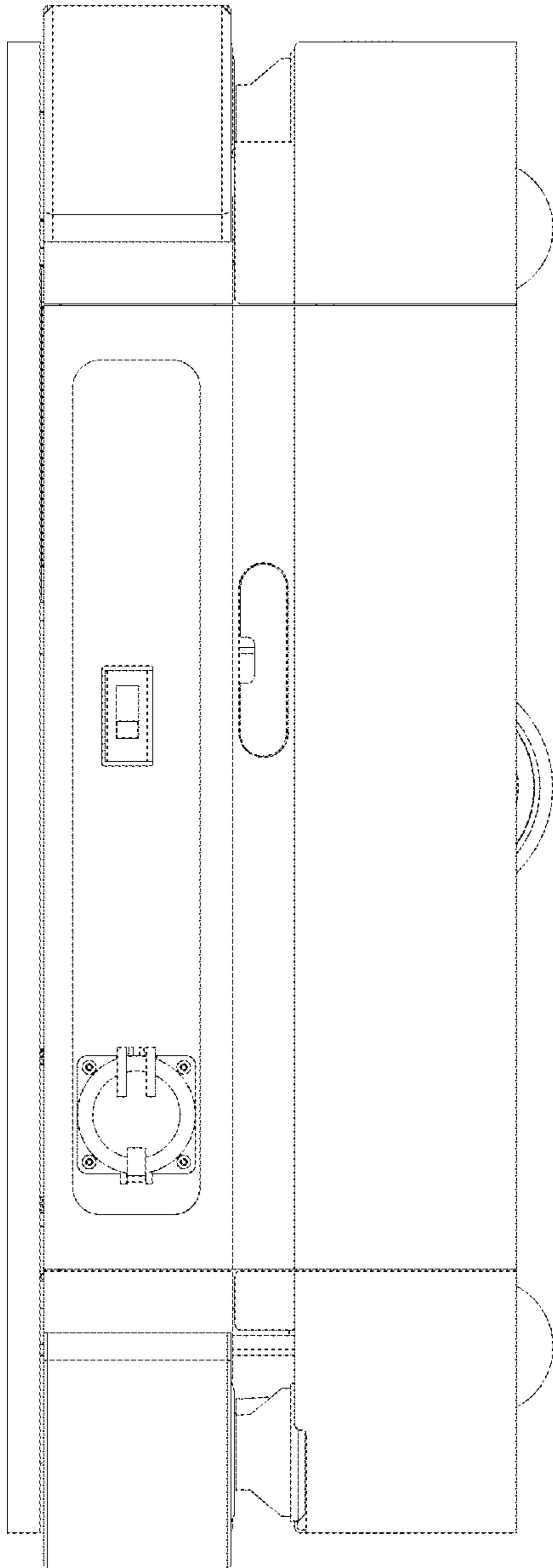


FIG. 3

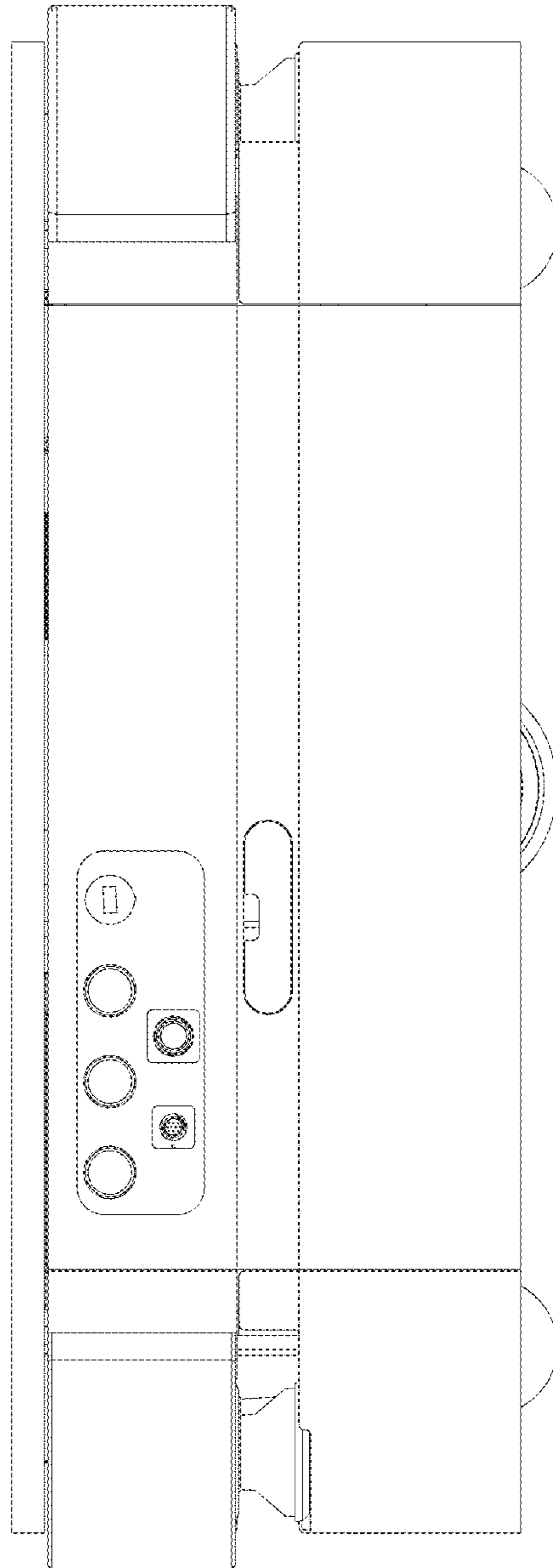


FIG. 4

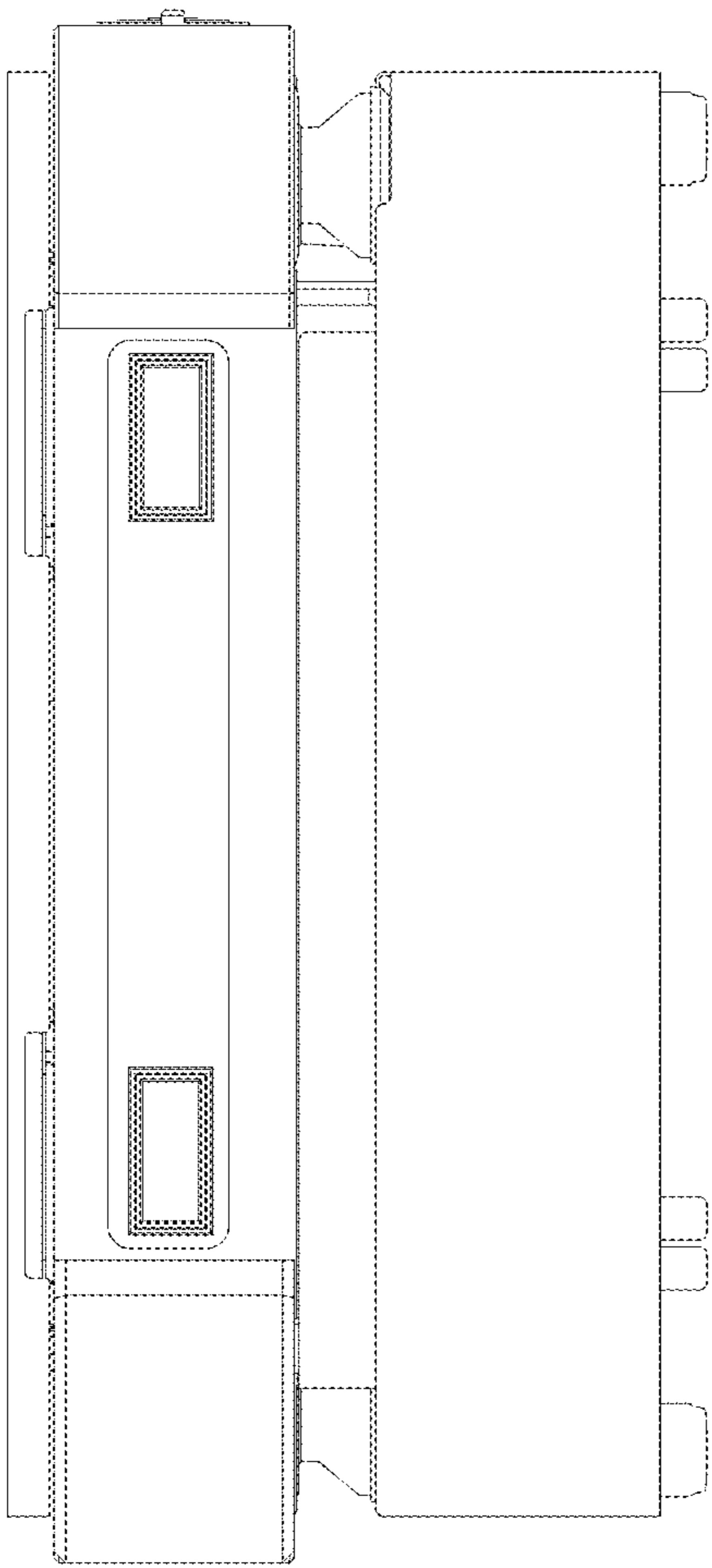


FIG. 5

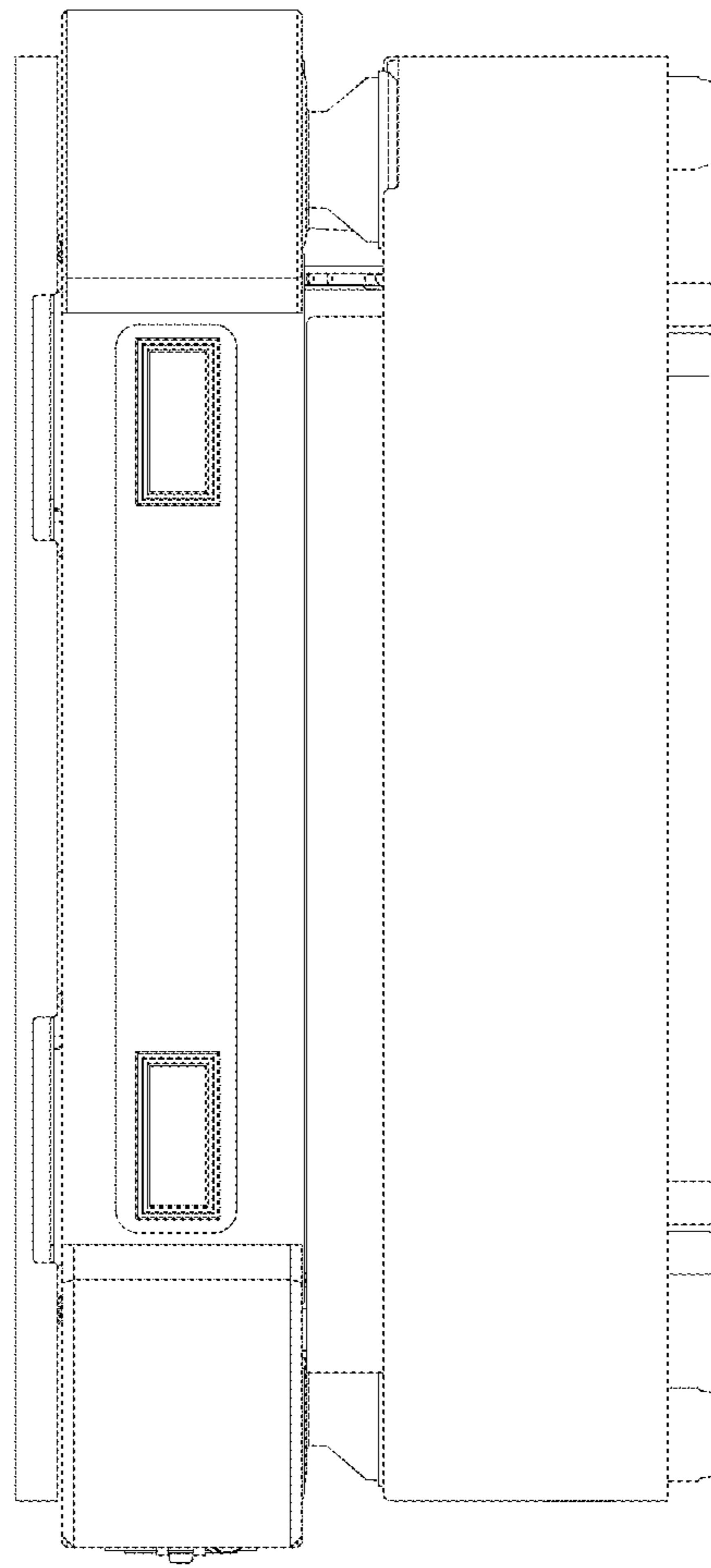


FIG. 6

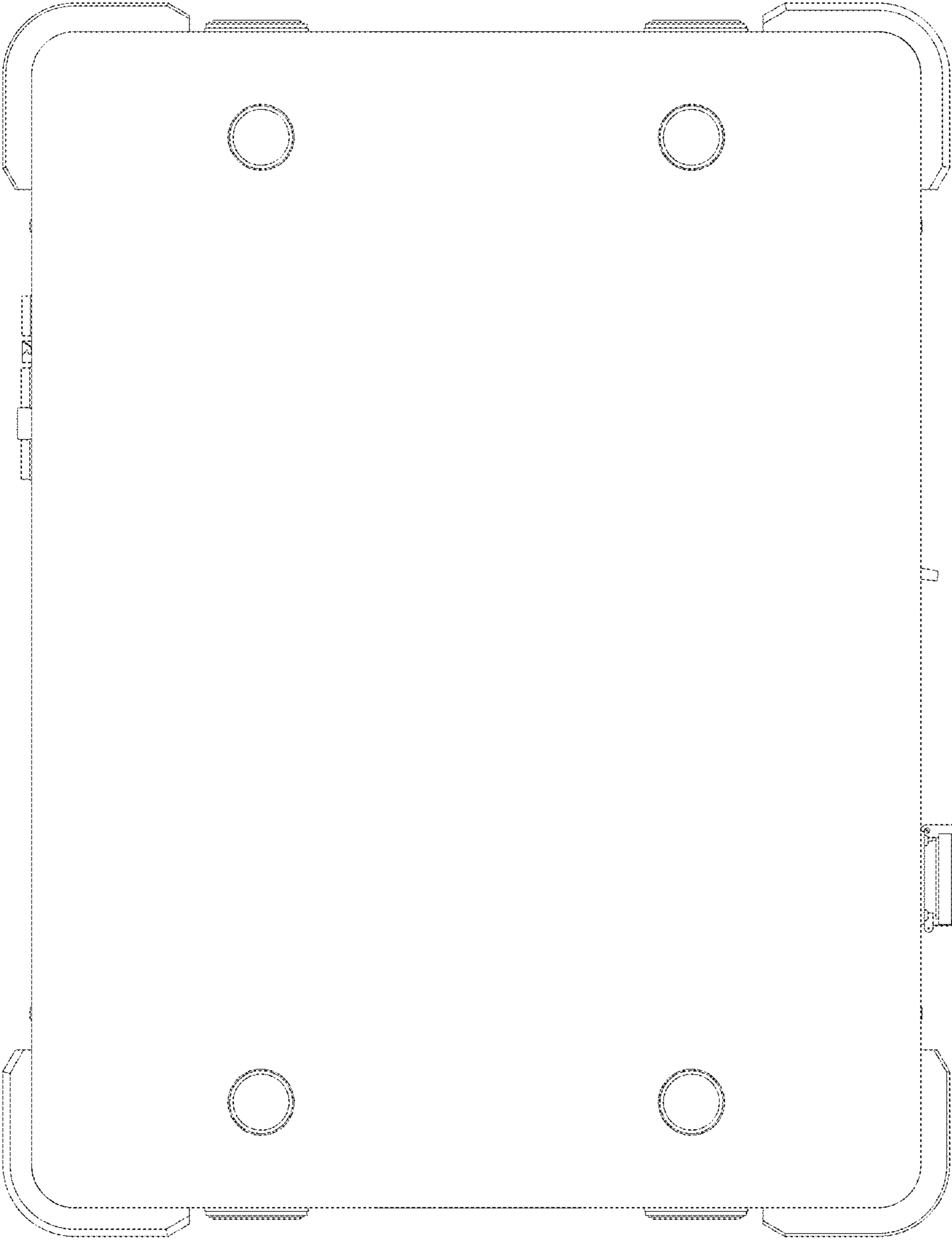


FIG. 7

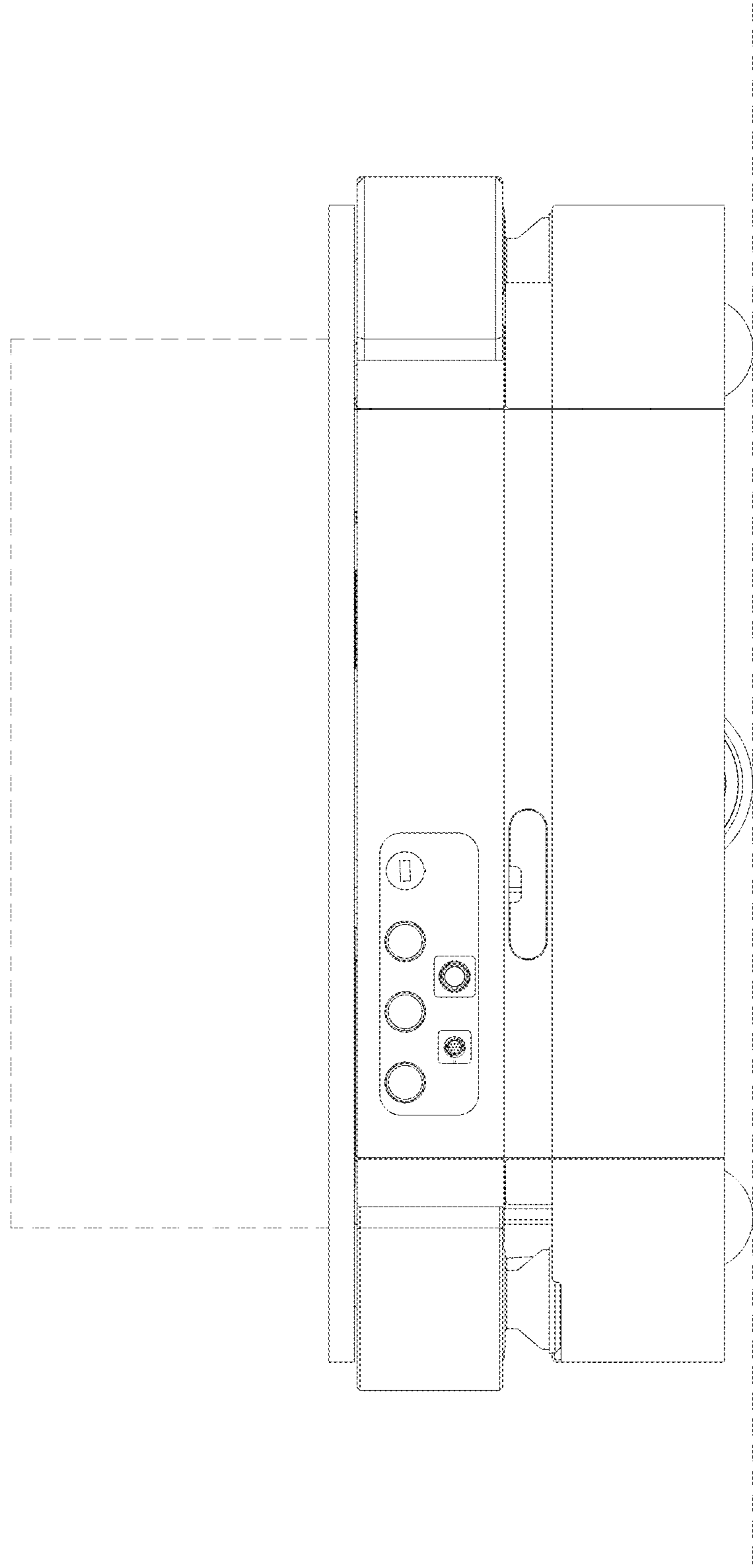


FIG. 8