



US00D914074S

(12) **United States Design Patent**
Tsuchiya et al.

(10) **Patent No.:** **US D914,074 S**

(45) **Date of Patent:** **** Mar. 23, 2021**

(54) **SELF-PROPELLED ROBOT AND/OR
REPLICA THEREOF**

(71) Applicant: **HONDA MOTOR CO., LTD.**, Tokyo
(JP)

(72) Inventors: **Satoru Tsuchiya**, Wako (JP); **Akira
Kimura**, Wako (JP)

(73) Assignee: **HONDA MOTOR CO., LTD.**, Tokyo
(JP)

(**) Term: **15 Years**

(21) Appl. No.: **29/653,962**

(22) Filed: **Jun. 20, 2018**

(30) **Foreign Application Priority Data**

Dec. 21, 2017 (JP) 2017-028566

(51) **LOC (13) Cl.** **15-99**

(52) **U.S. Cl.**
USPC **D15/199**

(58) **Field of Classification Search**
USPC D15/199; D21/578-583, 621, 622;
D32/21

CPC B25J 5/007; B60B 19/006; B62D 57/024;
H01F 7/0221; Y10S 901/01

See application file for complete search history.

(56) **References Cited**

U.S. PATENT DOCUMENTS

D450,788 S * 11/2001 Kawasaki D21/578
D549,756 S * 8/2007 Park D15/199
D635,603 S * 4/2011 Paz Rodriguez D15/199
D636,824 S * 4/2011 Wensel D21/539
D639,351 S * 6/2011 Newmayer D21/533
D691,675 S * 10/2013 Kim D21/533
D719,621 S * 12/2014 Song D21/578

D725,167 S * 3/2015 Song D15/199
D793,145 S * 8/2017 Huang D15/199
D799,575 S * 10/2017 Tang D15/199
D802,040 S * 11/2017 Canoso D15/199
D810,167 S * 2/2018 Yang D15/199
D813,281 S * 3/2018 Kittmann D15/199
D817,375 S * 5/2018 Deyle D15/199
D822,124 S * 7/2018 Bei D21/533
D835,693 S * 12/2018 Lee D15/199
D857,773 S * 8/2019 Muraishi D15/199
10,423,163 B2 * 9/2019 Choi B25J 11/0085
2009/0052740 A1 * 2/2009 Sonoura G06K 9/32
382/103
2009/0171504 A1 * 7/2009 Hyung G01C 21/12
700/254
2011/0132671 A1 * 6/2011 Lee B25J 5/007
180/8.3

(Continued)

Primary Examiner — Patricia A Palasik

(74) *Attorney, Agent, or Firm* — Westerman, Hattori,
Daniels & Adrian, LLP

(57) **CLAIM**

The ornamental design for self-propelled robot and/or replica thereof, as shown and described.

DESCRIPTION

FIG. 1 is a front view of a self-propelled robot and/or replica thereof, showing our new design;

FIG. 2 is a rear view thereof;

FIG. 3 is a plan view thereof;

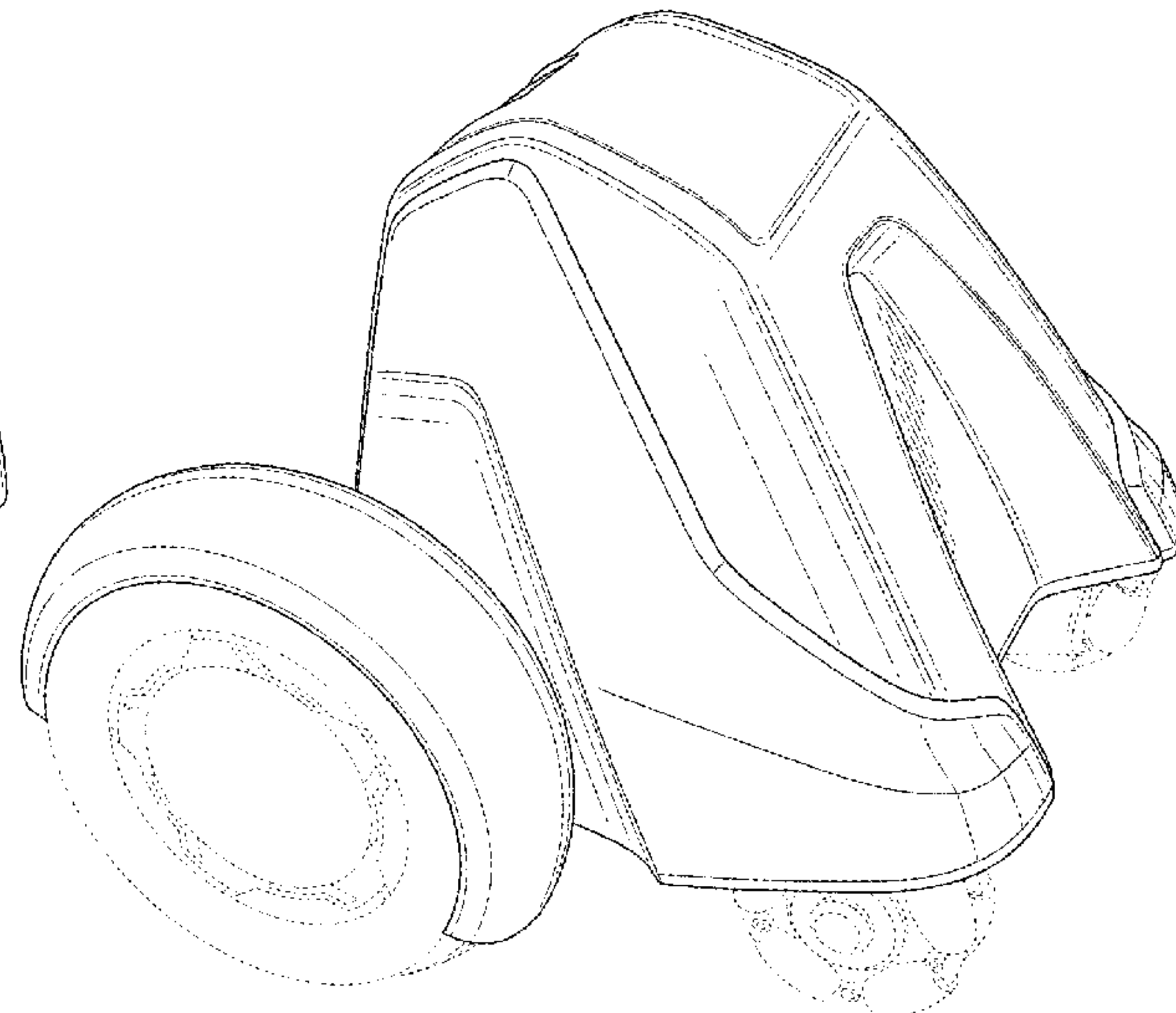
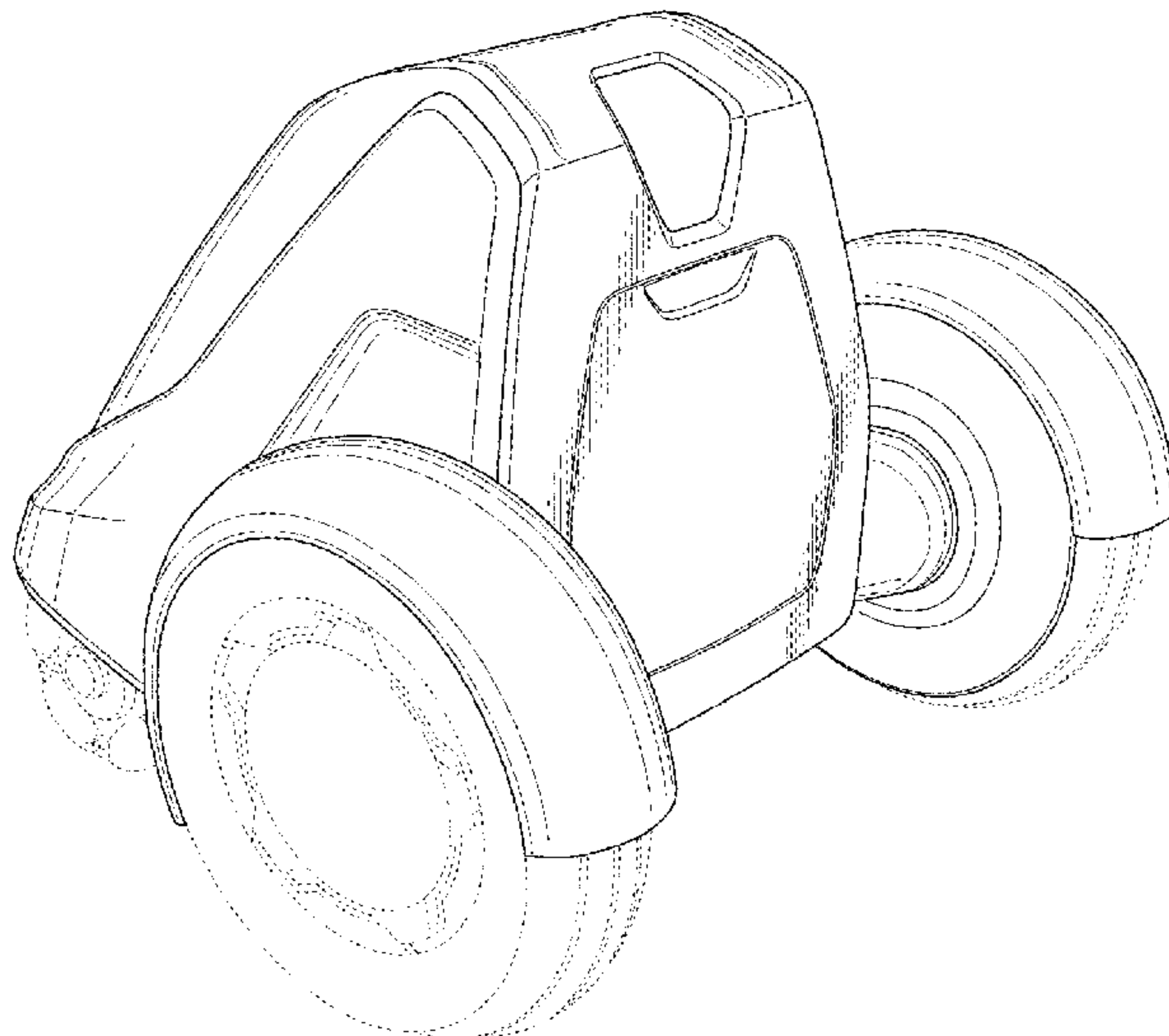
FIG. 4 is a left side view thereof;

FIG. 5 is a from perspective view as seen from the left upper side thereof; and,

FIG. 6 is a rear perspective view as seen from the right upper side thereof.

The broken lines shown in the drawings illustrate portions of the self-propelled robot and/or replica thereof that are environmental structures and form no part of the claimed design.

1 Claim, 3 Drawing Sheets



(56)

References Cited

U.S. PATENT DOCUMENTS

2015/0224640 A1* 8/2015 Vu B25J 5/007
700/259
2018/0244327 A1* 8/2018 Liivik B60G 5/00
2018/0253107 A1* 9/2018 Heinla G05D 1/0212
2019/0072975 A1* 3/2019 Choi A47L 9/28
2019/0184742 A1* 6/2019 Kwa B60B 33/045

* cited by examiner

FIG.1

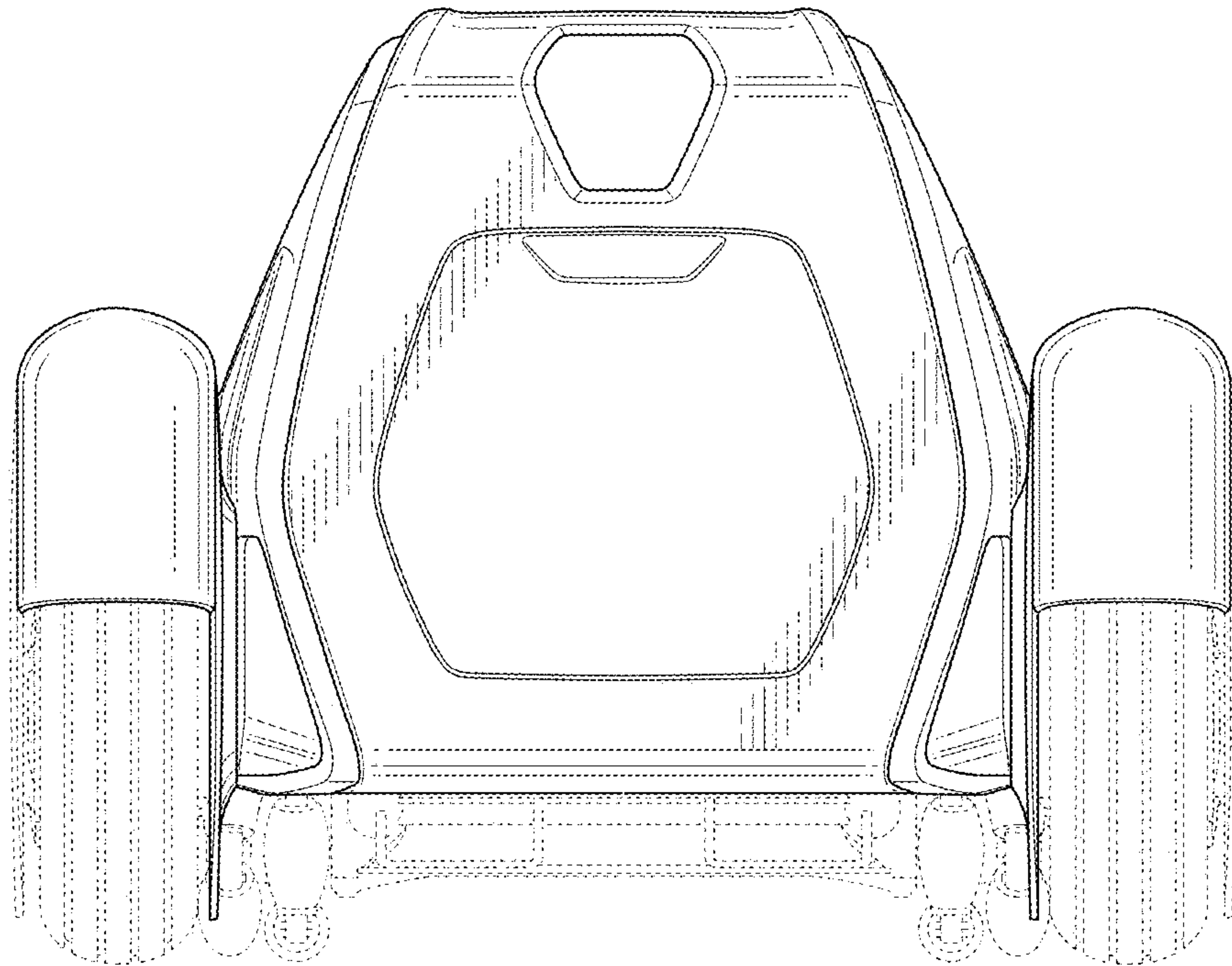


FIG.2

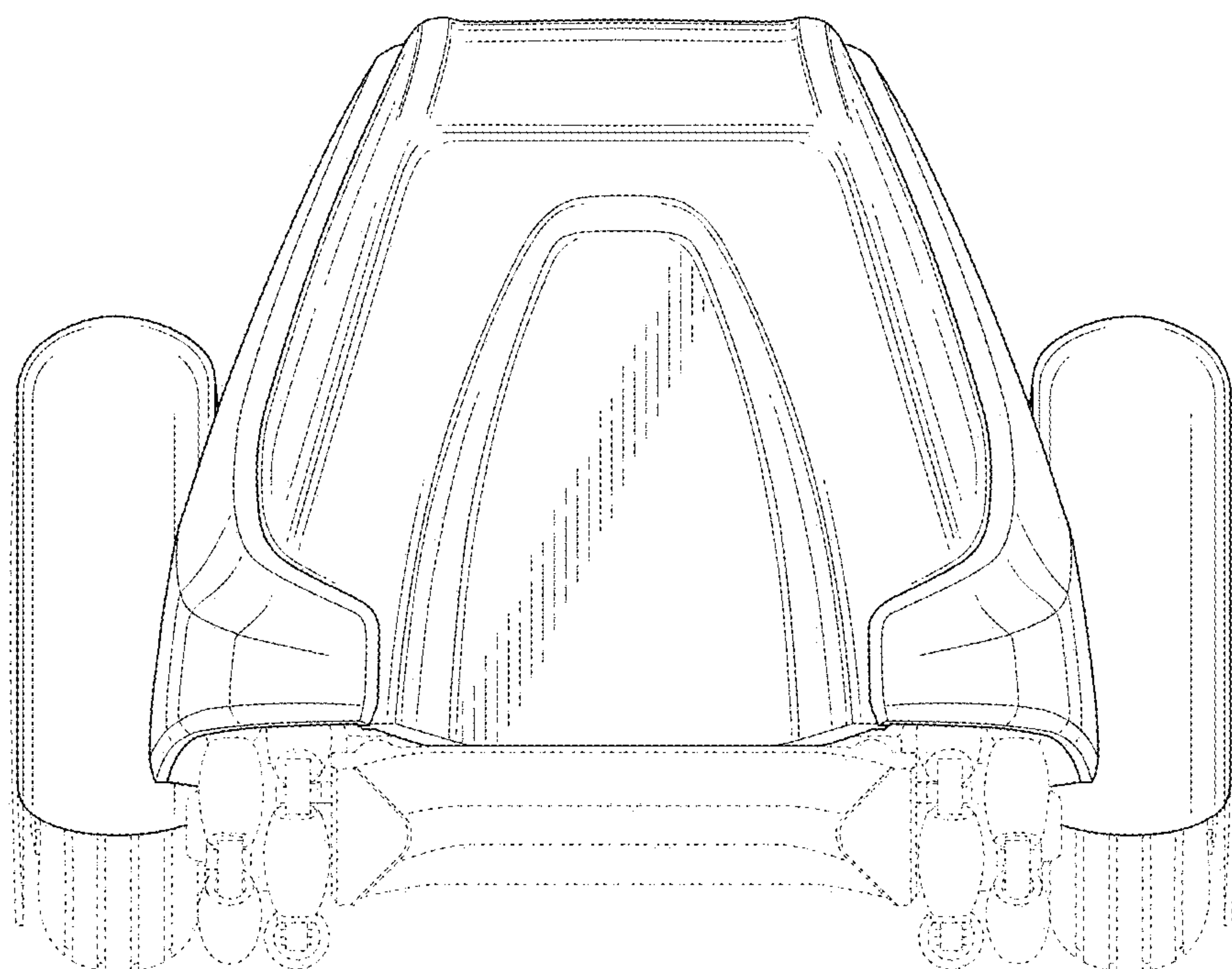


FIG.3

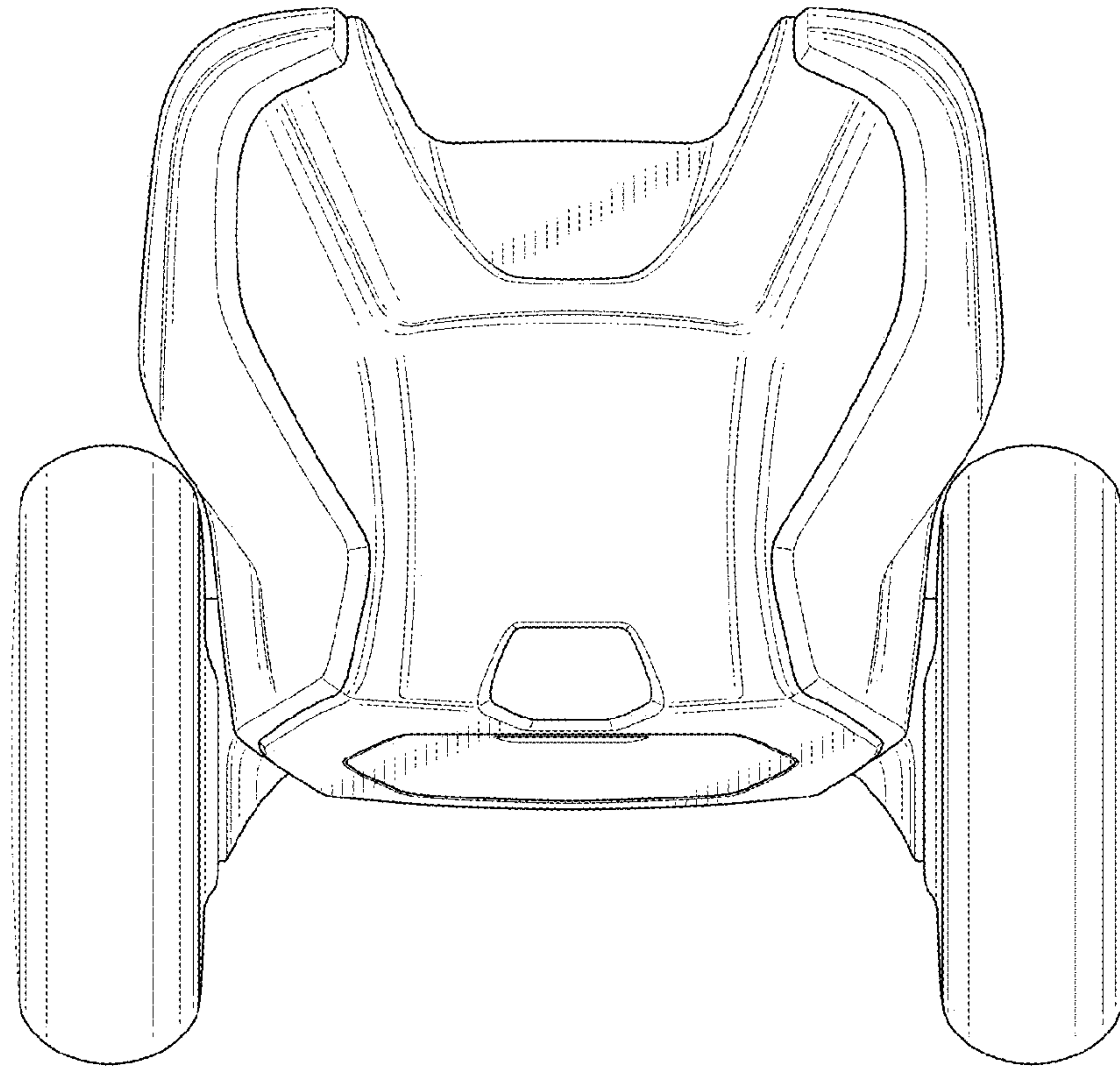


FIG.4

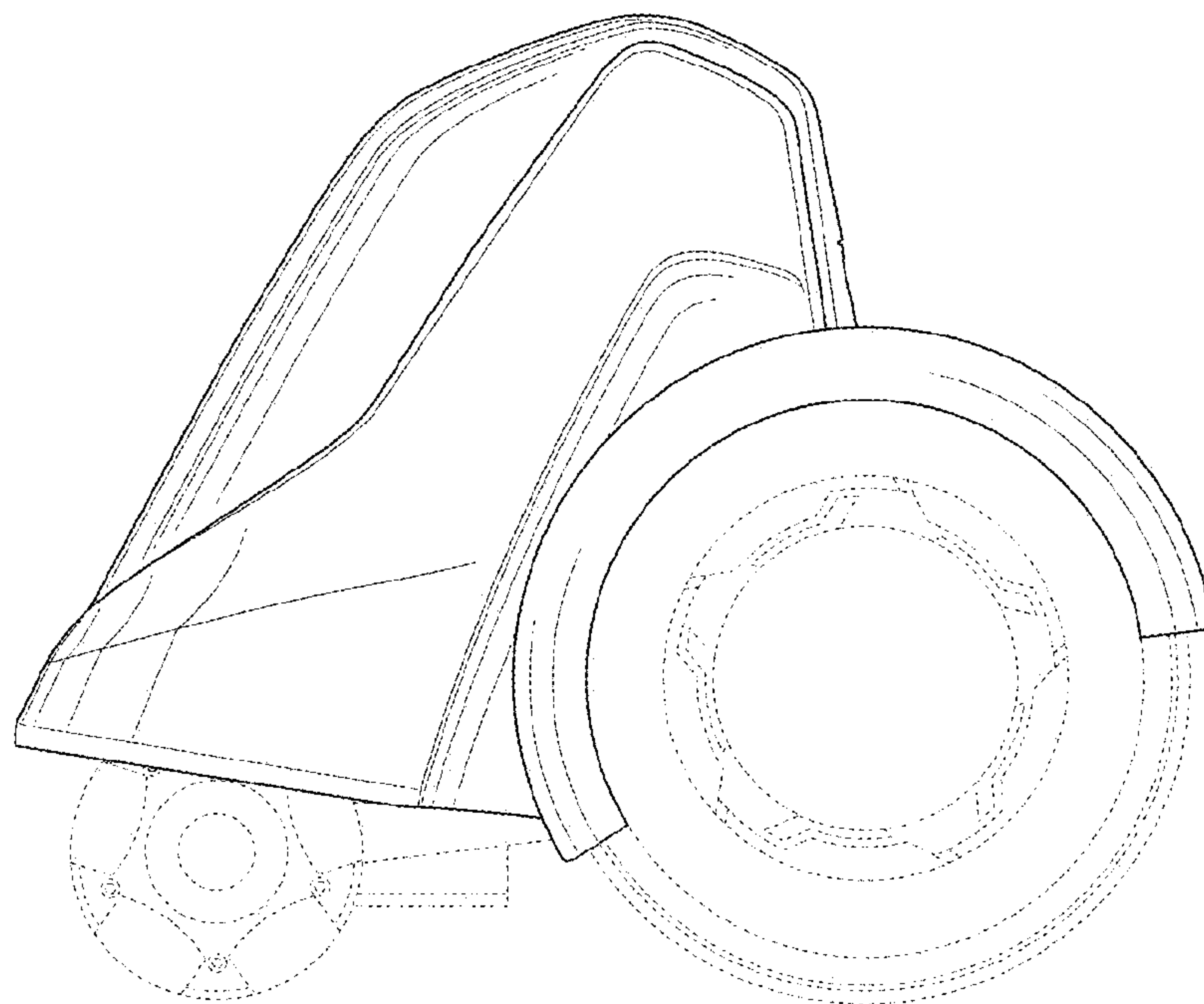


FIG.5

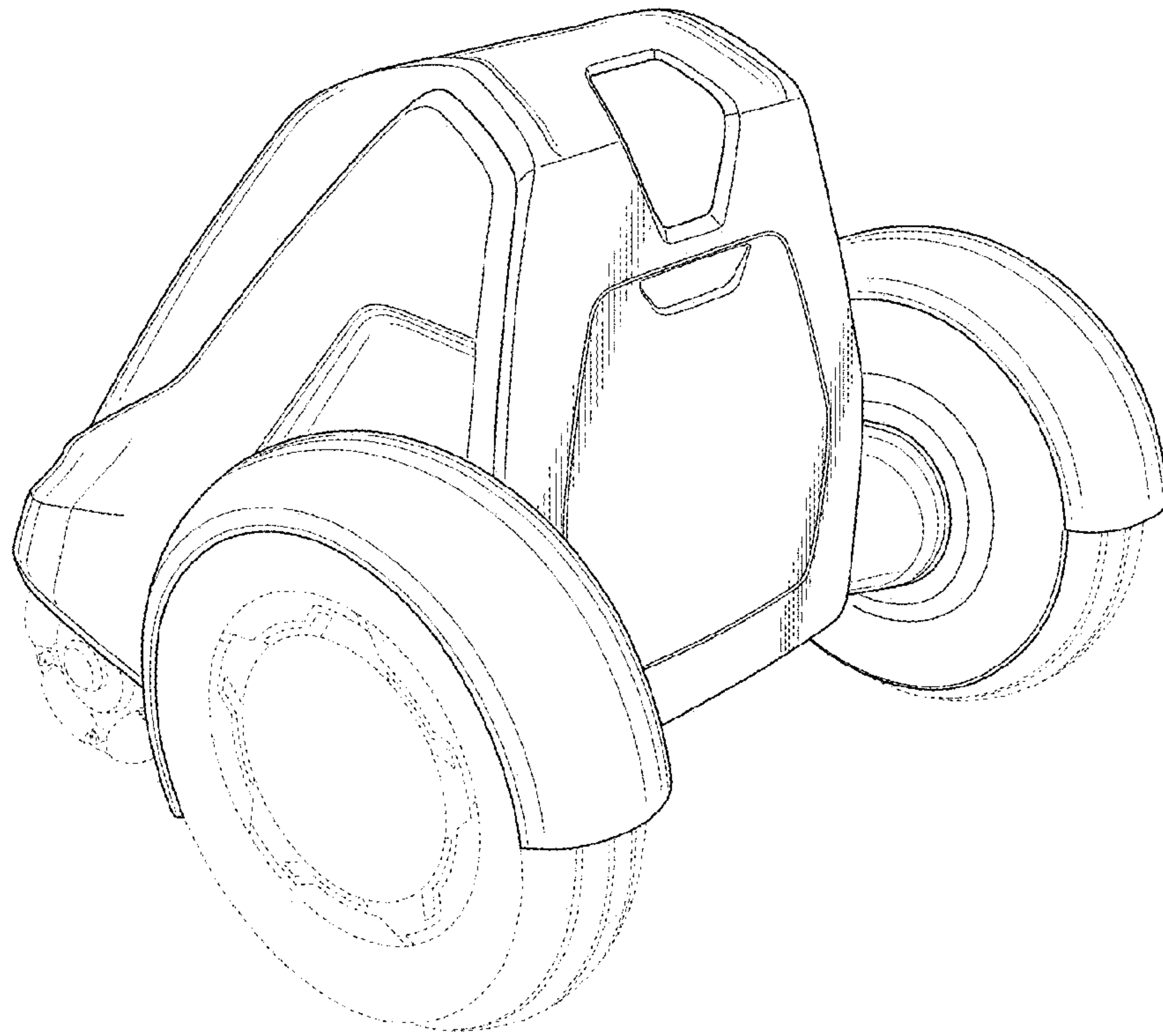


FIG.6

