



US00D914073S

(12) **United States Design Patent**
Born et al.

(10) **Patent No.:** **US D914,073 S**
(45) **Date of Patent:** **** Mar. 23, 2021**

(54) **TRANSMISSION REAR HOUSING**

(71) Applicant: **Eaton Cummins Automated Transmission Technologies, LLC**, Galesburg, MI (US)

(72) Inventors: **Gregory Joseph Born**, Battle Creek, MI (US); **Timothy Scott Smith**, Paw Paw, MI (US)

(73) Assignee: **Eaton Cummins Automated Transmission Technologies, LLC**, Galesburg, MI (US)

(**) Term: **15 Years**

(21) Appl. No.: **29/595,580**

(22) Filed: **Feb. 28, 2017**

(51) **LOC (13) Cl.** **15-99**

(52) **U.S. Cl.**
USPC **D15/149**

(58) **Field of Classification Search**
USPC D15/5, 7, 9, 9.1, 148, 149
(Continued)

(56) **References Cited**

U.S. PATENT DOCUMENTS

2,479,183 A 8/1949 Peterson et al.
2,857,772 A 10/1958 Garnier et al.
(Continued)

FOREIGN PATENT DOCUMENTS

CN 304483017 S 1/2018
CN 304553505 S 3/2018
(Continued)

OTHER PUBLICATIONS

U.S. Appl. No. 29/595,582, filed Feb. 28, 2017, Pending.
U.S. Appl. No. 29/595,583, filed Feb. 28, 2017, Pending.
(Continued)

Primary Examiner — Patricia A Palasik

(74) *Attorney, Agent, or Firm* — Harness, Dickey & Pierce, P.L.C.

(57) **CLAIM**

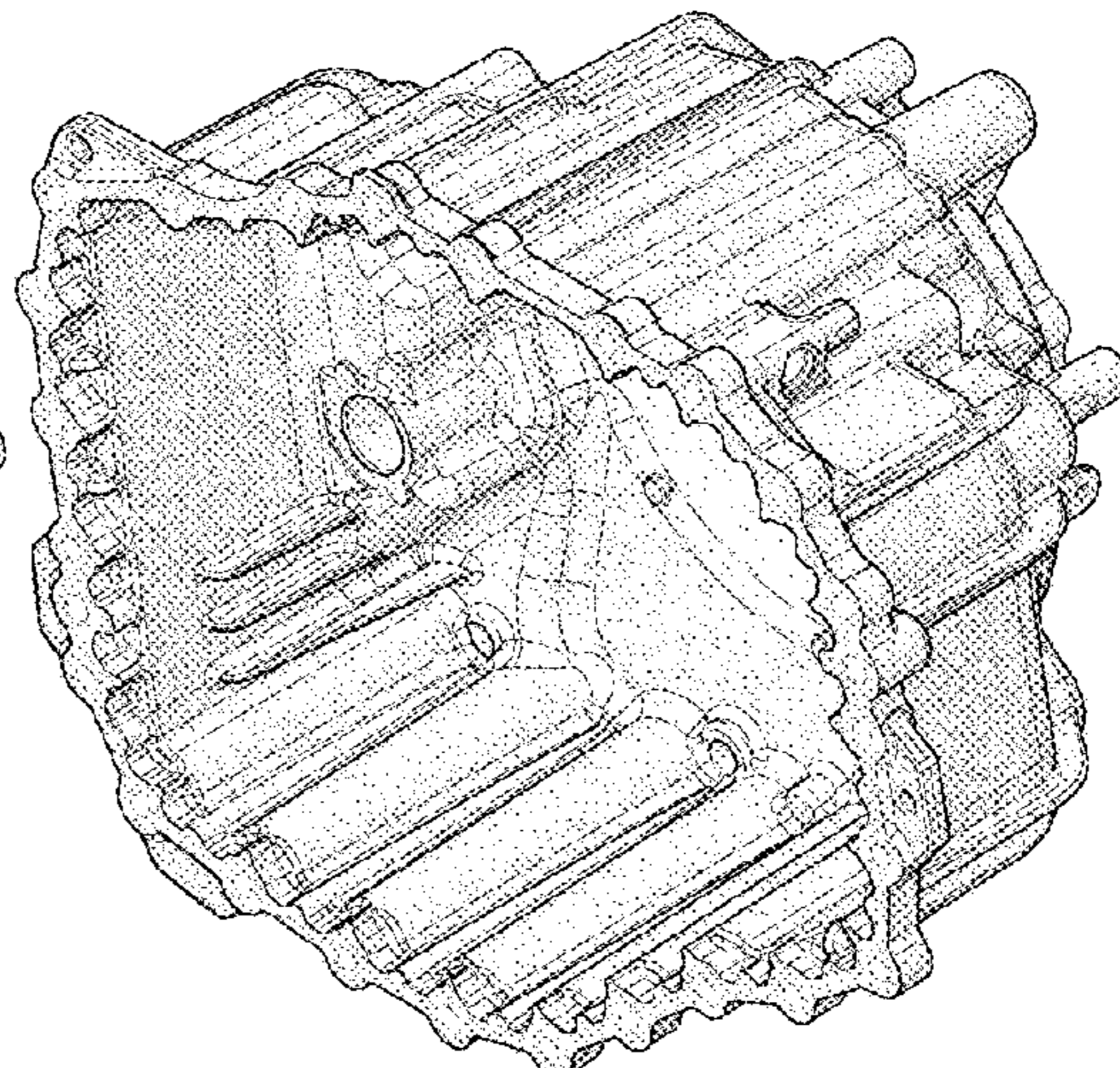
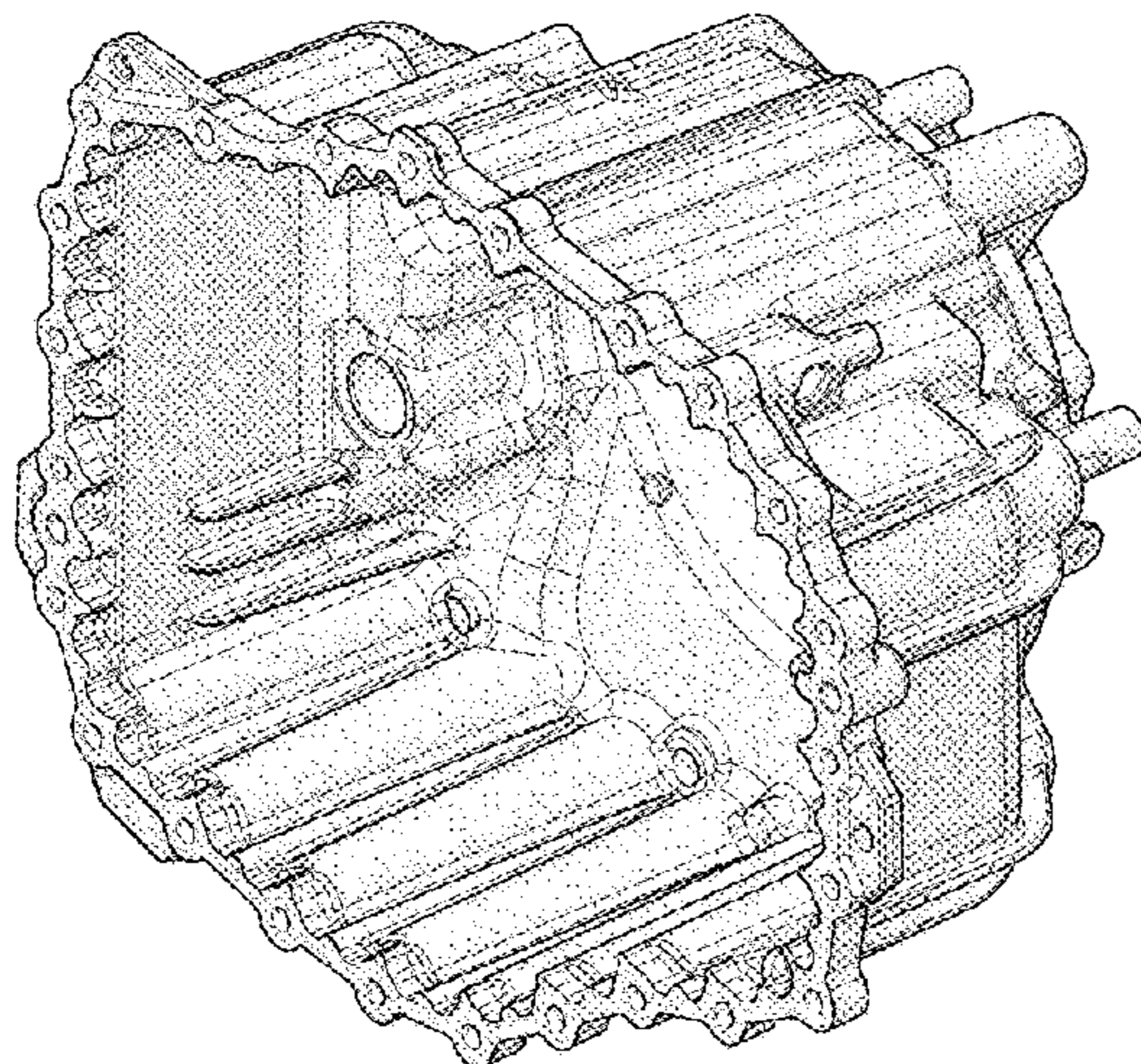
The ornamental design for a transmission rear housing, as shown and described.

DESCRIPTION

FIG. 1 is a front perspective view of a first embodiment of our new design;
FIG. 2 is a rear perspective view of the new design;
FIG. 3 is another rear perspective view of the new design;
FIG. 4 is another front perspective view of the new design;
FIG. 5 is a front view of the new design;
FIG. 6 is a rear view of the new design;
FIG. 7 is a first side view of the new design;
FIG. 8 is a second side view of the new design;
FIG. 9 is a third side view of the new design;
FIG. 10 is a fourth side view of the new design;
FIG. 11 is a front perspective view of a second embodiment thereof;
FIG. 12 is a rear perspective view thereof;
FIG. 13 is a front view thereof;
FIG. 14 is a rear view thereof;
FIG. 15 is a first side view thereof;
FIG. 16 is a second side view thereof;
FIG. 17 is a third side view thereof;
FIG. 18 is a fourth side view thereof;
FIG. 19 is a rear perspective view of a third embodiment thereof;
FIG. 20 is a rear view thereof;
FIG. 21 is a front view thereof;
FIG. 22 is a first side view thereof;
FIG. 23 is a second side view thereof;
FIG. 24 is a third side view thereof; and,
FIG. 25 is a fourth side view thereof.

The broken lines in FIGS. 1-25 depict portions of the transmission rear housing which form no part of the claimed design.

1 Claim, 25 Drawing Sheets



(58) **Field of Classification Search**
 CPC .. F16D 2300/26; F16H 57/02; F16H 63/3026;
 F16H 2057/087; F16H 2057/02047; Y10T
 29/49464
 See application file for complete search history.

(56) **References Cited**

U.S. PATENT DOCUMENTS

D195,488	S	6/1963	Sadler	
3,572,167	A	3/1971	Bosko et al.	
3,600,963	A	8/1971	Portmann	
4,081,065	A	3/1978	Smyth et al.	
4,109,960	A	8/1978	Stinchfield	
4,361,060	A	11/1982	Smyth	
4,576,062	A	3/1986	Reppert et al.	
4,788,889	A	12/1988	Davis et al.	
5,085,303	A	2/1992	Frost et al.	
D335,290	S	5/1993	Flotow	
5,323,740	A	6/1994	Daily et al.	
5,335,562	A	8/1994	Mastroianni et al.	
5,375,569	A	12/1994	Santella	
5,390,497	A	2/1995	Cottam	
D358,782	S	5/1995	Louwagie et al.	
5,421,216	A	6/1995	Stine	
5,492,034	A	2/1996	Bogema	
5,513,603	A	5/1996	Ang et al.	
5,517,876	A	5/1996	Genise et al.	
5,577,588	A	11/1996	Raszkowski	
D377,657	S *	1/1997	Winters, Sr.	74/606 R
5,638,930	A	6/1997	Parsons	
D403,004	S *	12/1998	Kaye	D15/149
5,910,068	A	6/1999	Krauss et al.	
6,186,302	B1	2/2001	Drexl et al.	
6,393,928	B1	5/2002	Watanabe	
6,453,892	B1	9/2002	Plunkett et al.	
6,591,705	B1	7/2003	Reik et al.	
7,055,384	B2	6/2006	Williams et al.	
D533,567	S	12/2006	D'Amico	
D544,509	S *	6/2007	Tiller	D12/126
7,441,533	B1	10/2008	Miller et al.	
7,509,885	B2	3/2009	Gerlofs et al.	
D604,347	S	11/2009	Wittenstein	
D632,305	S	2/2011	Sargeant	
D650,812	S	12/2011	Hsu et al.	
8,413,545	B1 *	4/2013	Reid	F16H 57/0447 74/606 R
8,833,321	B2	9/2014	Sands et al.	
D722,630	S	2/2015	Hatano	
9,133,892	B2	9/2015	Barnholt	
D787,996	S	5/2017	Rode et al.	
D795,296	S	8/2017	Luft et al.	
D834,475	S	11/2018	Rode et al.	
D845,197	S	4/2019	Wang	
D866,625	S	11/2019	Born et al.	
D873,318	S	1/2020	Andersson et al.	
D877,221	S	3/2020	Monette et al.	
D881,248	S	4/2020	Monette et al.	
D886,878	S	6/2020	Jumper	
2001/0022245	A1	9/2001	Rogg	
2002/0125094	A1	9/2002	Zimmermann et al.	
2004/0069082	A1	4/2004	Koenig et al.	
2004/0159522	A1	8/2004	Conrad et al.	
2005/0029068	A1	2/2005	Koenig et al.	
2005/0109141	A1	5/2005	DeVore et al.	
2005/0217966	A1	10/2005	Hornbrook et al.	
2006/0113156	A1	6/2006	McCutcheon et al.	
2006/0116232	A1	6/2006	McCutcheon	
2006/0185456	A1	8/2006	Gerlofs et al.	
2006/0213300	A1	9/2006	Petzold et al.	
2006/0219033	A1	10/2006	Gitt	
2007/0107545	A1 *	5/2007	Seipold	F16D 13/683 74/606 R
2007/0155572	A1 *	7/2007	Sugano	B60K 17/344 475/205
2008/0173273	A1	7/2008	Cunningham	
2009/0038579	A1	2/2009	Shieh et al.	

2010/0133056	A1	6/2010	McCutcheon et al.	
2011/0214522	A1	9/2011	Sporleder et al.	
2011/0256976	A1	10/2011	Burgbacher et al.	
2011/0314943	A1	12/2011	Brandenburg	
2012/0157258	A1 *	6/2012	Meyer	F16H 57/02 475/269
2013/0139643	A1 *	6/2013	Reid	F16H 57/02 74/606 R
2013/0315707	A1 *	11/2013	Spanel	F04D 17/12 415/67
2013/0333908	A1 *	12/2013	Lennartz	B25F 5/02 173/90
2014/0090499	A1	4/2014	Fernandez	
2014/0163829	A1	6/2014	Yoon et al.	
2015/0126321	A1	5/2015	Mittelberger et al.	
2015/0226295	A1	8/2015	Forsberg	
2015/0267778	A1	9/2015	Peterson et al.	
2017/0350494	A1 *	12/2017	Weule	F04D 25/163
2018/0178798	A1	6/2018	Peterson et al.	
2018/0178803	A1	6/2018	Kawale et al.	
2018/0178804	A1	6/2018	Kawale et al.	
2018/0180148	A1	6/2018	Peterson et al.	
2018/0180149	A1	6/2018	Peterson et al.	
2018/0180166	A1	6/2018	Peterson et al.	
2018/0180167	A1	6/2018	Peterson et al.	
2018/0180168	A1	6/2018	Peterson et al.	
2018/0180500	A1	6/2018	Hawarden et al.	
2018/0306305	A1 *	10/2018	Braun	F16C 35/067
2019/0353210	A1	11/2019	Custer et al.	

FOREIGN PATENT DOCUMENTS

CN	304553981	S	3/2018
CN	304593000	S	4/2018
CN	304593001	S	4/2018
DE	10334628	A1	8/2004
EM	004168748-0001		9/2017
EM	004168748-0002		9/2017
EM	004168748-0003		9/2017
EM	004168748-0004		9/2017
EM	004168748-0005		9/2017
EM	004168748-0006		9/2017
EM	004168748-0007		9/2017
EM	004168748-0008		9/2017
EM	004168748-0009		9/2017
EM	004168748-0010		9/2017
EM	004168748-0011		9/2017
EM	004168748-0012		9/2017
EM	004169035-0001		9/2017
EM	004169035-0002		9/2017
EM	004169035-0003		9/2017
EM	004169035-0004		9/2017
EM	004169035-0005		9/2017
EM	004169035-0006		9/2017
EM	004169035-0007		9/2017
EM	004169035-0008		9/2017
EM	004169035-0009		9/2017
EM	004169035-0010		9/2017
EM	004169035-0011		9/2017
EM	004169035-0012		9/2017
EM	004169035-0013		9/2017
EM	004169167-0001		9/2017
EM	004169167-0002		9/2017
EM	004169167-0003		9/2017
EM	004169167-0004		9/2017
EM	004169167-0005		9/2017
EM	004169167-0006		9/2017
EM	004169167-0007		9/2017
EM	004169167-0008		9/2017
EM	004169167-0009		9/2017
EM	004169167-0010		9/2017
EM	004169167-0011		9/2017
EM	004169167-0012		9/2017
EM	004169167-0013		9/2017
EM	004169167-0014		9/2017
EM	004169167-0015		9/2017
EM	004169167-0016		9/2017
EM	004162212-0001		10/2017

(56)

References Cited

FOREIGN PATENT DOCUMENTS

EM	004162212-0002	10/2017
EM	004162212-0003	10/2017
EM	004162212-0004	10/2017
EM	004162212-0005	10/2017
EM	004162212-0006	10/2017
EP	1837560 A2	9/2007
JP	2012219972 A	11/2012
WO	2013068175 A1	5/2013
WO	2018112304 A1	6/2018
WO	2018118124 A1	6/2018
WO	2018118125 A1	6/2018
WO	2018118126 A1	6/2018
WO	2018118127 A1	6/2018
WO	2018118128 A1	6/2018
WO	2018118129 A1	6/2018
WO	2018118130 A1	6/2018
WO	2018118131 A1	6/2018
WO	2018118132 A1	6/2018
WO	2018119396 A1	6/2018

OTHER PUBLICATIONS

U.S. Appl. No. 29/595,584, filed Feb. 28, 2017, Pending.
 U.S. Appl. No. 15/663,093, filed Jul. 28, 2017, Pending.
 U.S. Appl. No. 15/663,120, filed Jul. 28, 2017, Pending.
 U.S. Appl. No. 15/663,135, filed Jul. 28, 2017, Pending.
 U.S. Appl. No. 15/663,144, filed Jul. 28, 2017, Pending.
 U.S. Appl. No. 15/663,153, filed Jul. 28, 2017, Pending.
 U.S. Appl. No. 15/663,168, filed Jul. 28, 2017, Pending.
 U.S. Appl. No. 15/663,193, filed Jul. 28, 2017, Pending.
 U.S. Appl. No. 15/663,201, filed Jul. 28, 2017, Pending.
 U.S. Appl. No. 15/663,235, filed Jul. 28, 2017, Pending.
 U.S. Office Action dated Aug. 20, 2020 (corresponding to U.S. Appl. No. 29/595,583).
 PCT/US2017/066594, "International Application Serial No. PCT/US2017/066594, International Search Report and Written Opinion dated Feb. 14, 2018", Eaton Corporation, 13 Pages.
 PCT/US2017/068188, "International Application Serial No. PCT/US2017/068188, International Search Report and Written Opinion dated Feb. 22, 2018", Eaton Corporation, 13 pages.
 PCT/US2017/044491, "International Application Serial No. PCT/US2017/044491, International Search Report and Written Opinion Received dated Dec. 26, 2017", Eaton Corporation, 25 Pages.
 PCT/US2017/044495, "Application Serial No. PCT/US2017/044495, International Search Report and the Written Opinion dated Oct. 13, 2017", 9 pages.

PCT/US2017/044502, "Application Serial No. PCT/US2017/044502, International Search Report and the Written Opinion dated Sep. 27, 2017", 7 pages.
 PCT/US2017/044505, "Application Serial No. PCT/US2017/044505, International Search Report and the Written Opinion dated Nov. 13, 2017", 13 pages.
 PCT/US2017/044512, "Application Serial No. PCT/US2017/044512, International Search Report and the Written Opinion dated Nov. 13, 2017", 14 pages.
 PCT/US2017/044514, "Application Serial No. PCT/US2017/044514, International Search Report and the Written Opinion dated Sep. 27, 2017", 7 pages.
 PCT/US2017/044518, "Application Serial No. PCT/US2017/044518, International Search Report and the Written Opinion dated Oct. 10, 2017", 12 pages.
 PCT/US2017/044524, "Application Serial No. PCT/US2017/044524, International Search Report and the Written Opinion dated Oct. 5, 2017", 9 pages.
 PCT/US2017/044531, "International Application Serial No. PCT/US2017/044531, International Preliminary Report on Patentability and Written Opinion dated Oct. 18, 2017", Eaton Corporation, 8 Pages.
 U.S. Appl. No. 29/595,583, filed Feb. 28, 2017, Gregory Joseph Born.
 U.S. Appl. No. 29/595,584, filed Feb. 28, 2017.
 U.S. Appl. No. 29/705,621, filed Sep. 13, 2019, Timothy Scott Smith.
 U.S. Appl. No. 29/705,720, filed Sep. 13, 2019, Timothy Scott Smith.
 U.S. Appl. No. 29/705,723, filed Sep. 13, 2019, Timothy Scott Smith.
 U.S. Appl. No. 29/705,725, filed Sep. 13, 2019, Timothy Scott Smith.
 U.S. Appl. No. 29/705,787, filed Sep. 16, 2019, Daniel Alan Monette.
 U.S. Appl. No. 29/595,582, filed Feb. 28, 2017, Gregory Joseph Born.
 U.S. Office Action (Election-Restriction Requirement) dated Oct. 6, 2020 (corresponding to U.S. Appl. No. 29/705,723).
 U.S. Notice of Allowance dated Sep. 30, 2020 (corresponding to U.S. Appl. No. 29/705,621).
 U.S. Office Action (Election-Restriction Requirement) dated Oct. 6, 2020 (corresponding to U.S. Appl. No. 29/705,720).
 U.S. Office Action (Election/Restriction Requirement) dated Oct. 6, 2020 (corresponding to U.S. Appl. No. 29/705,725).

* cited by examiner

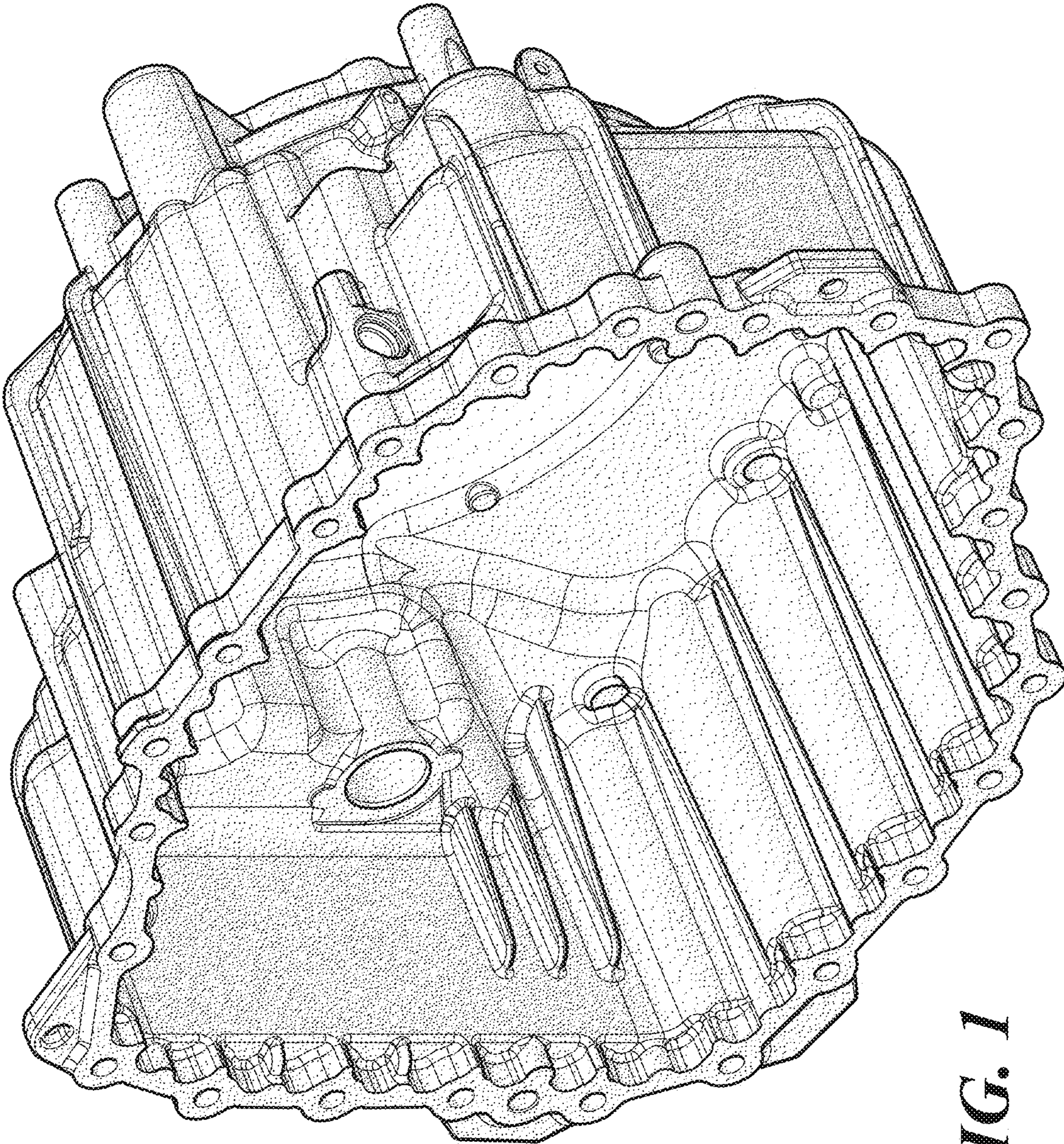


FIG. 1

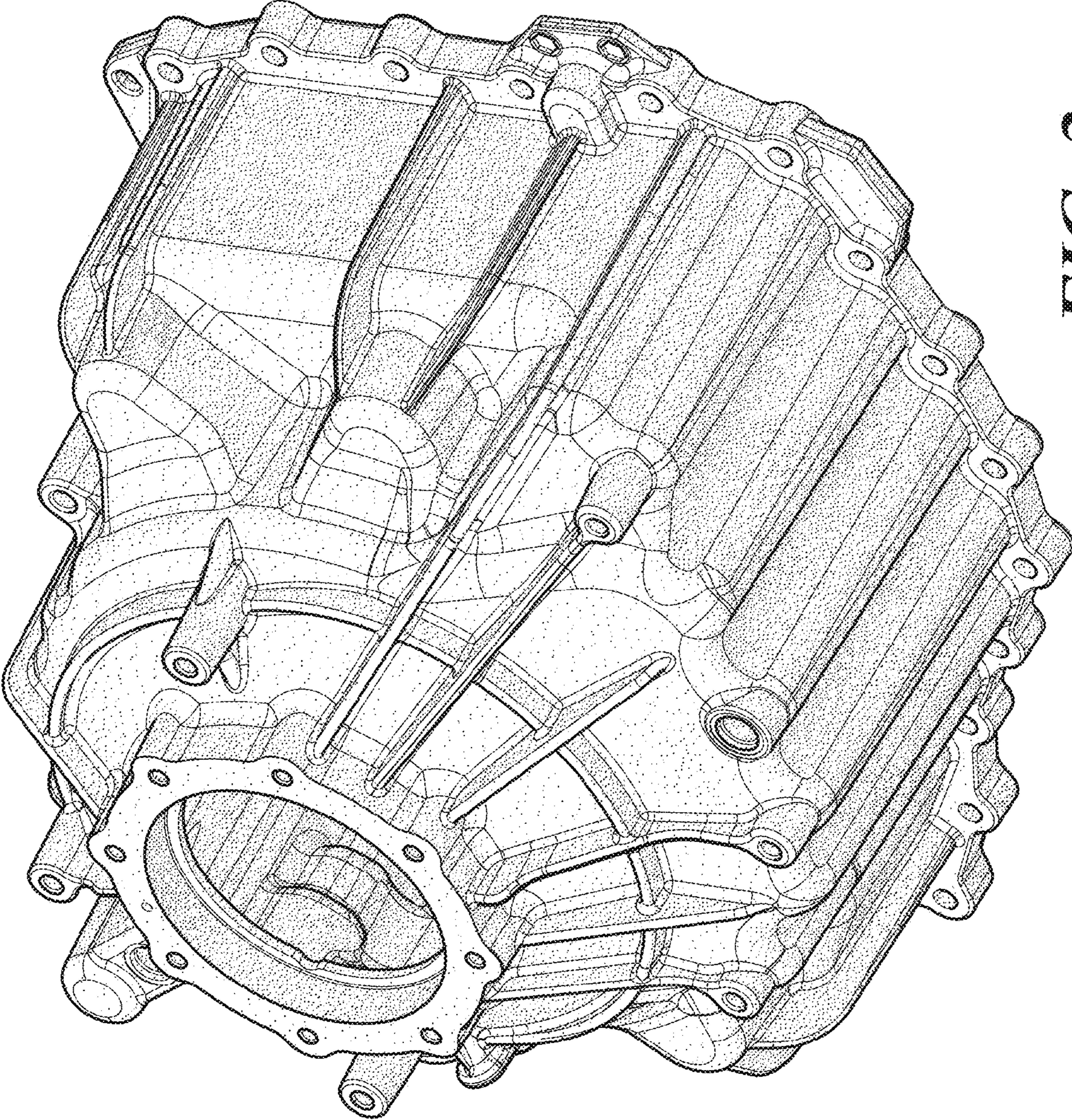


FIG. 2

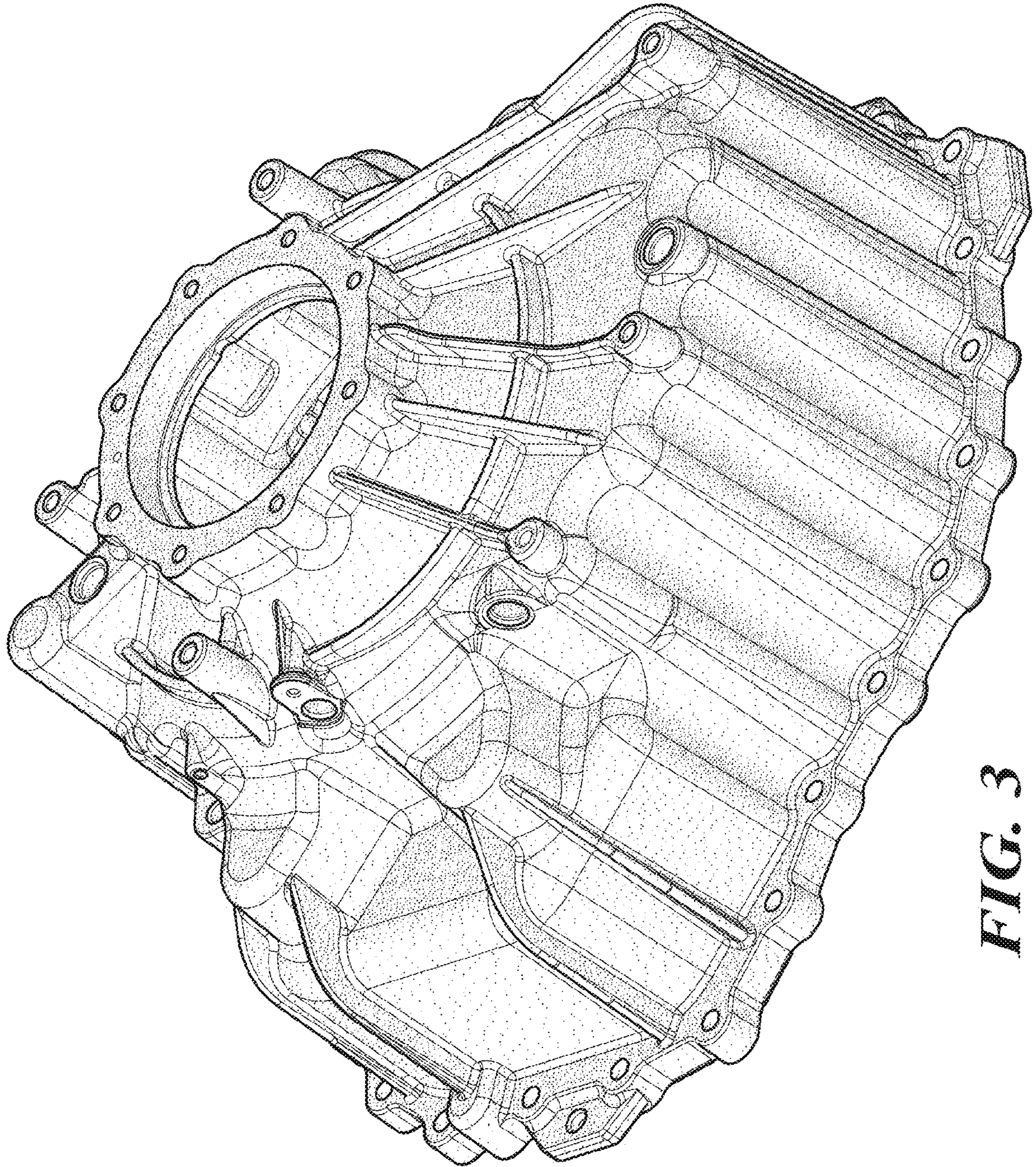


FIG. 3

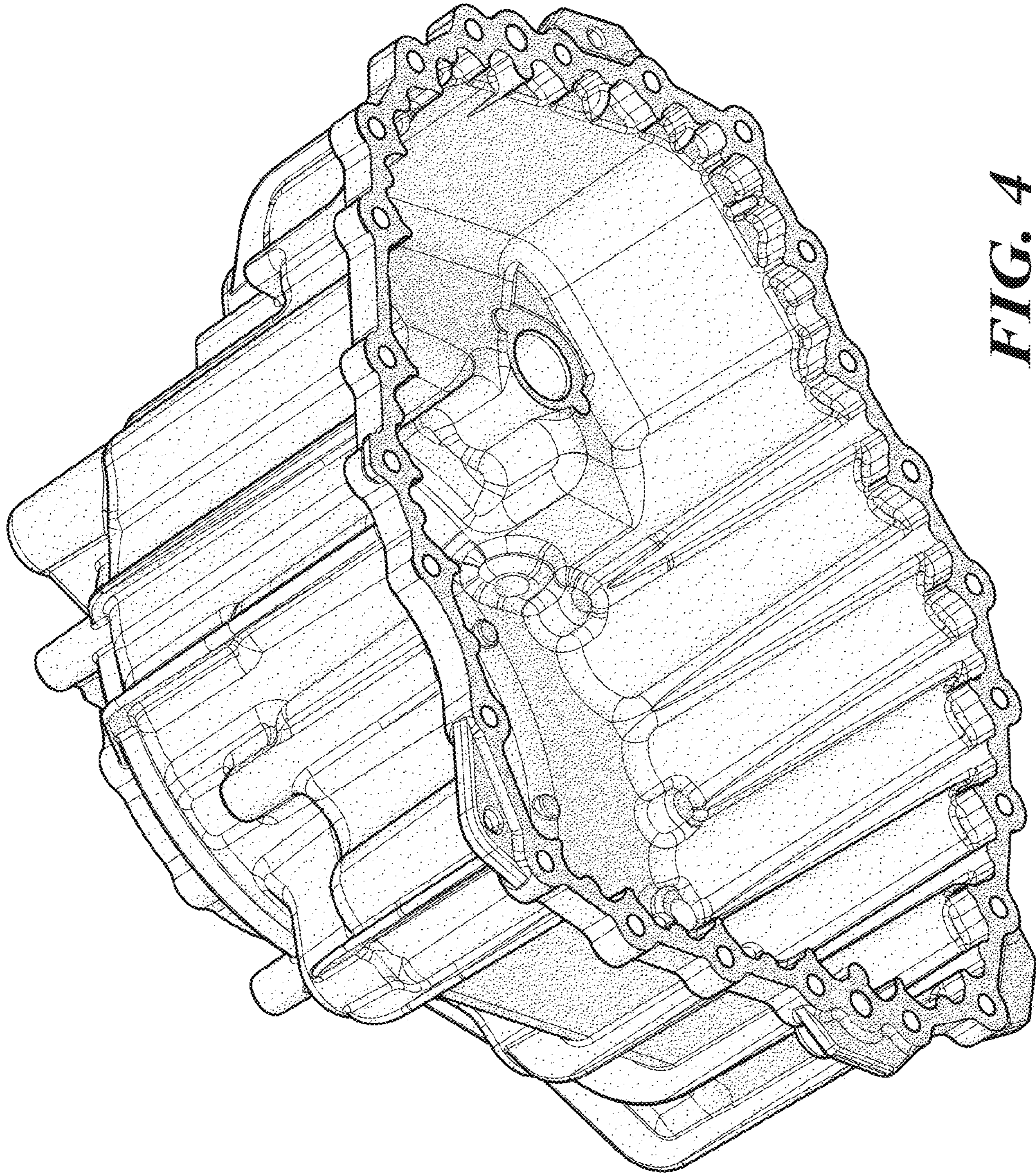


FIG. 4

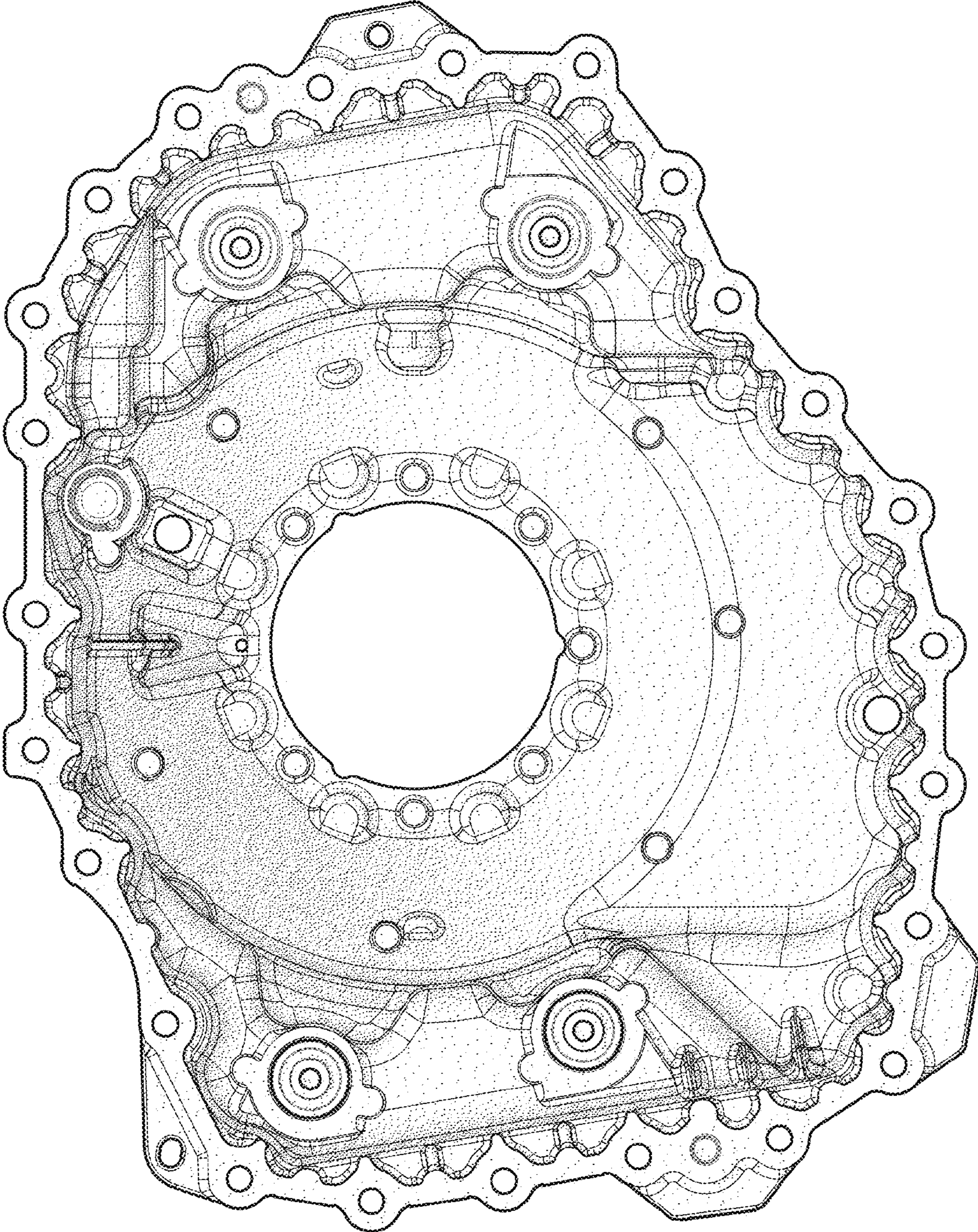


FIG. 5

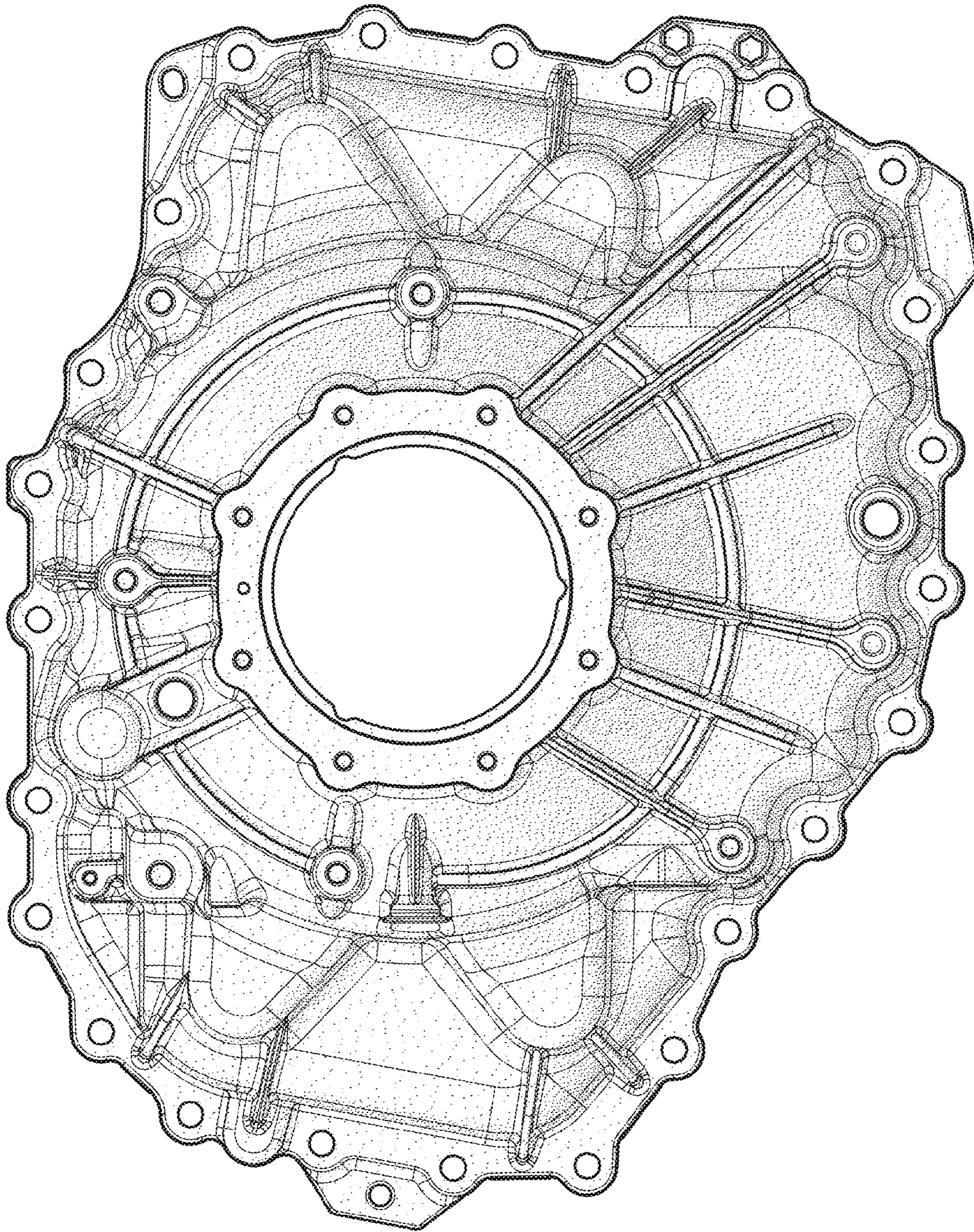


FIG. 6

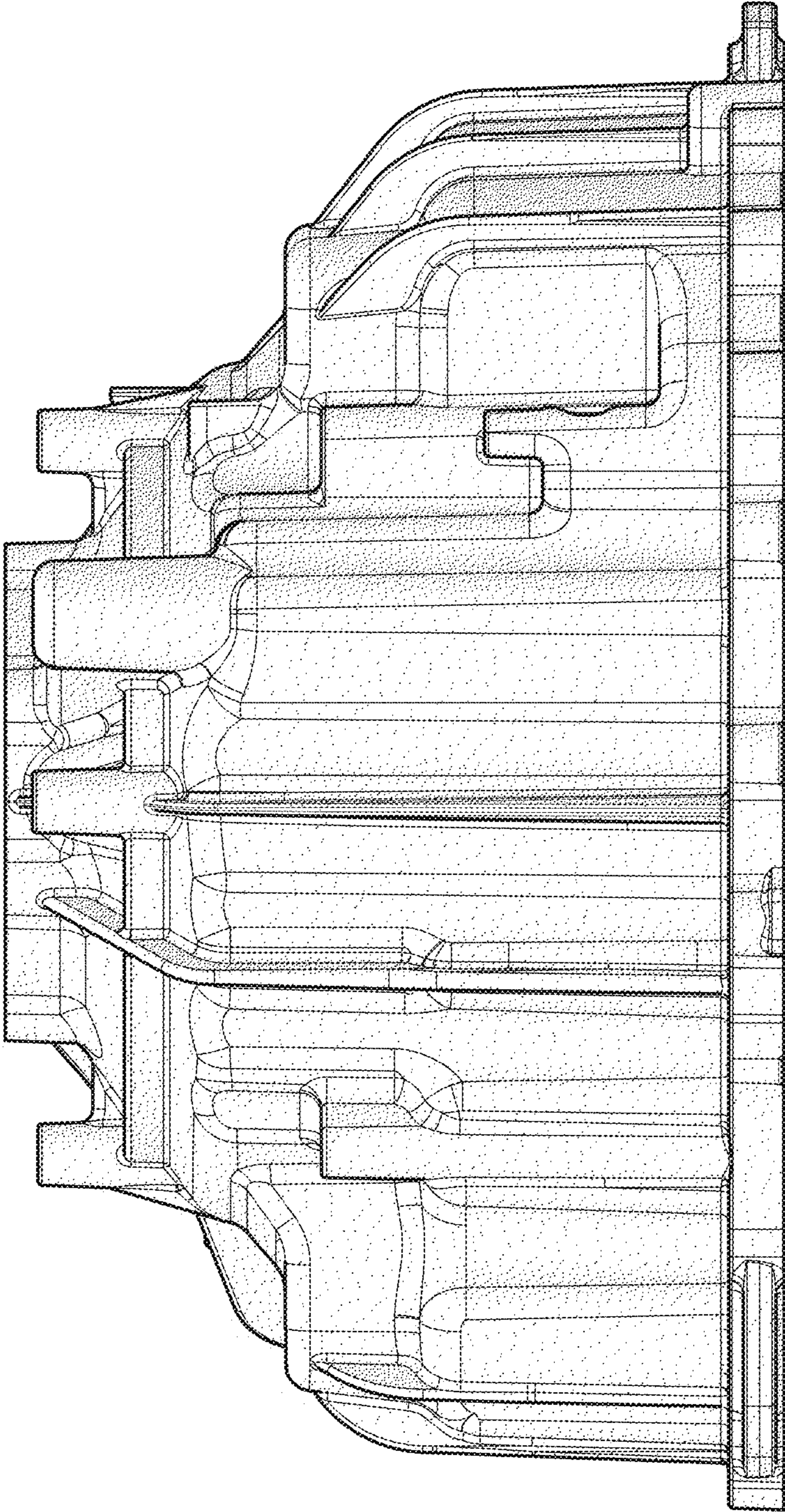


FIG. 7

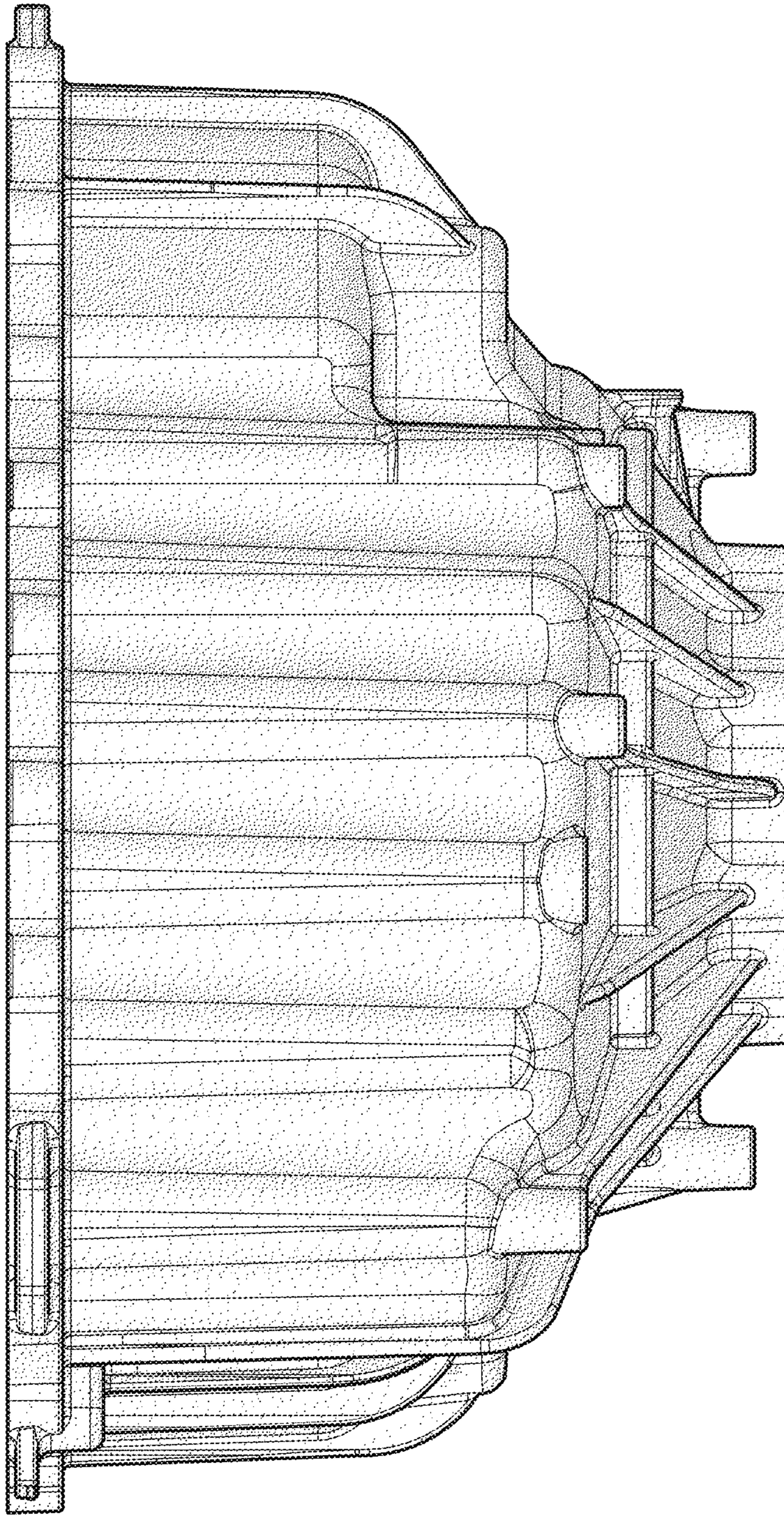


FIG. 8

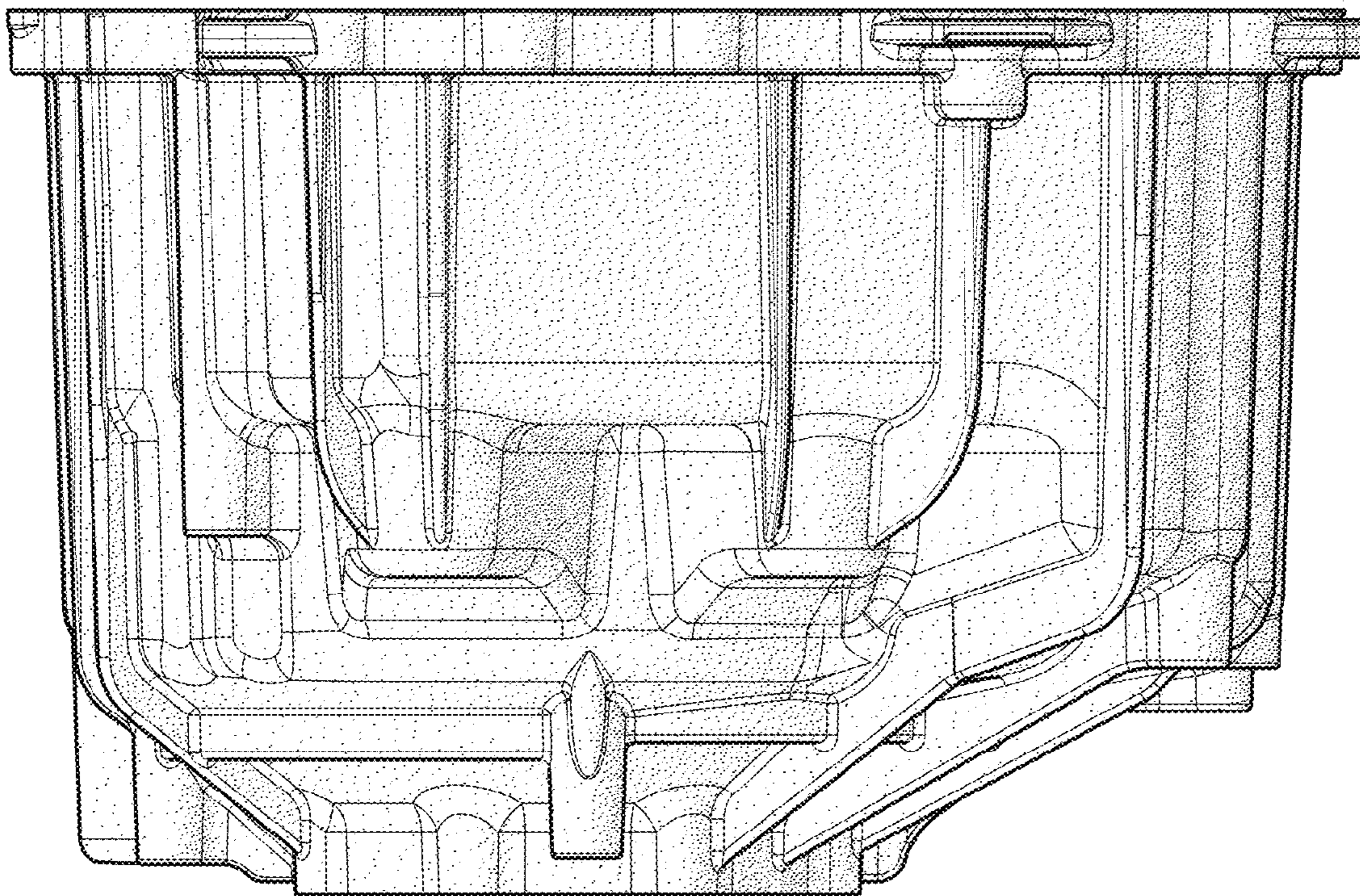


FIG. 9

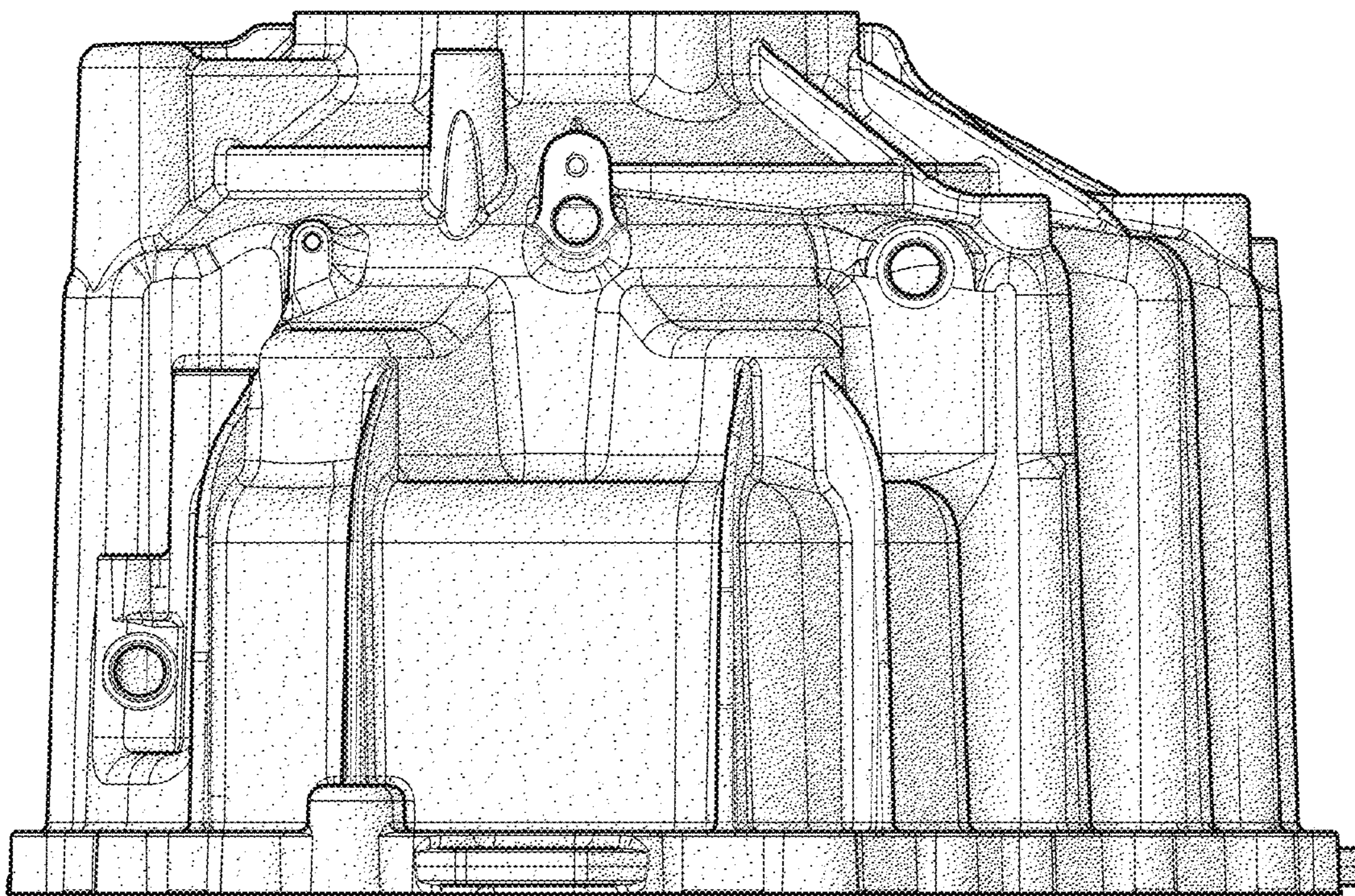


FIG. 10

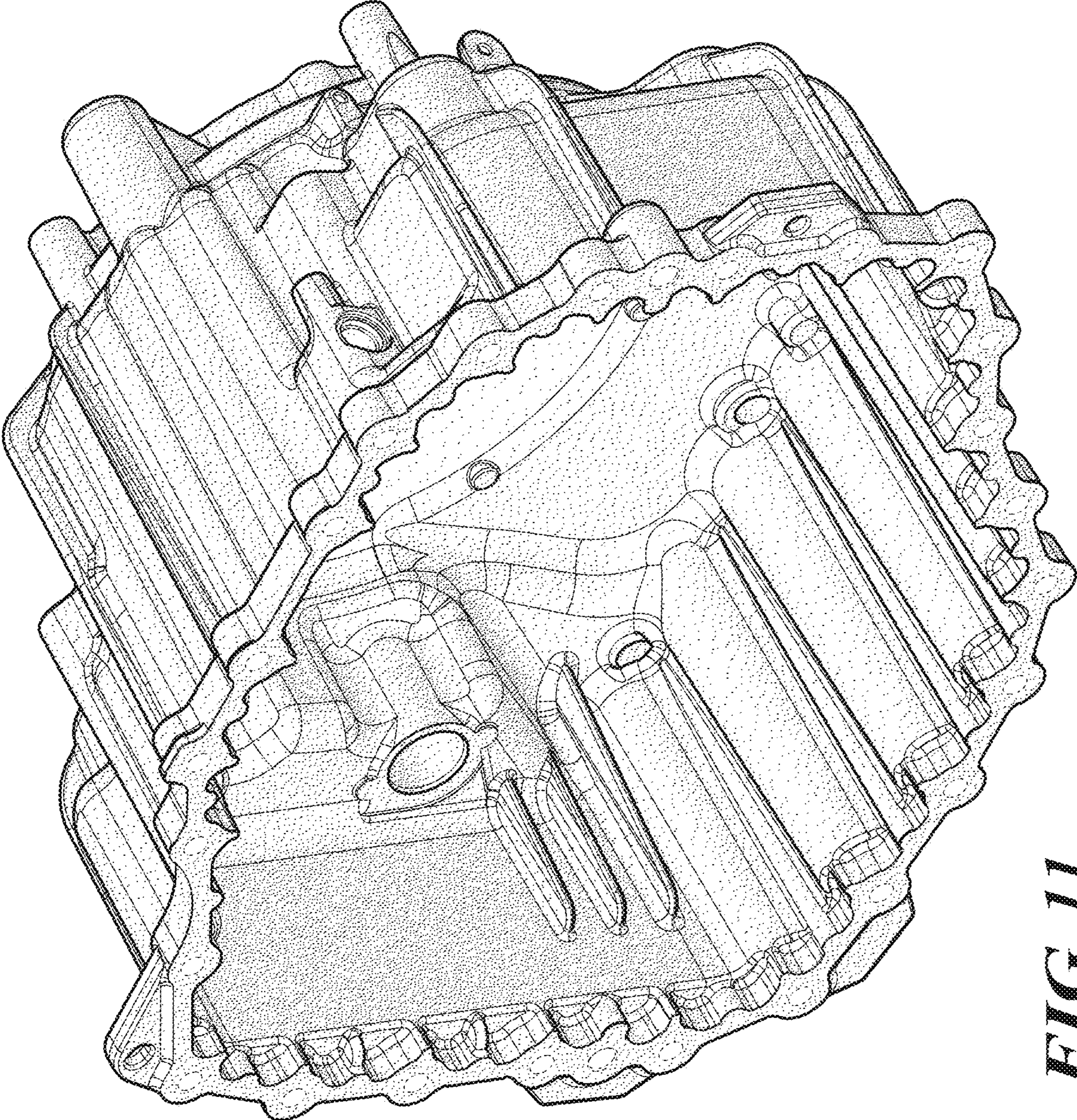


FIG. 11

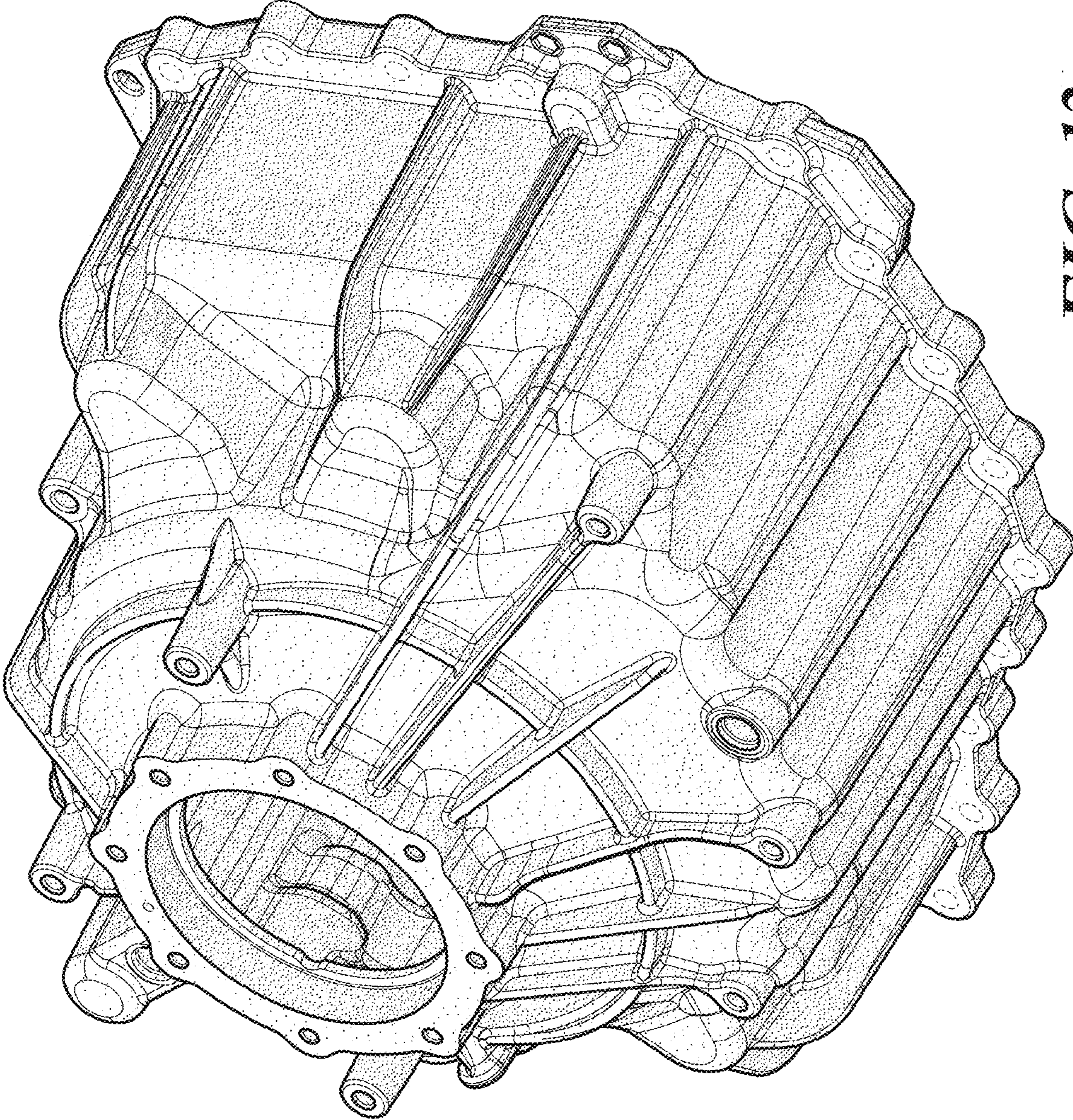


FIG. 12

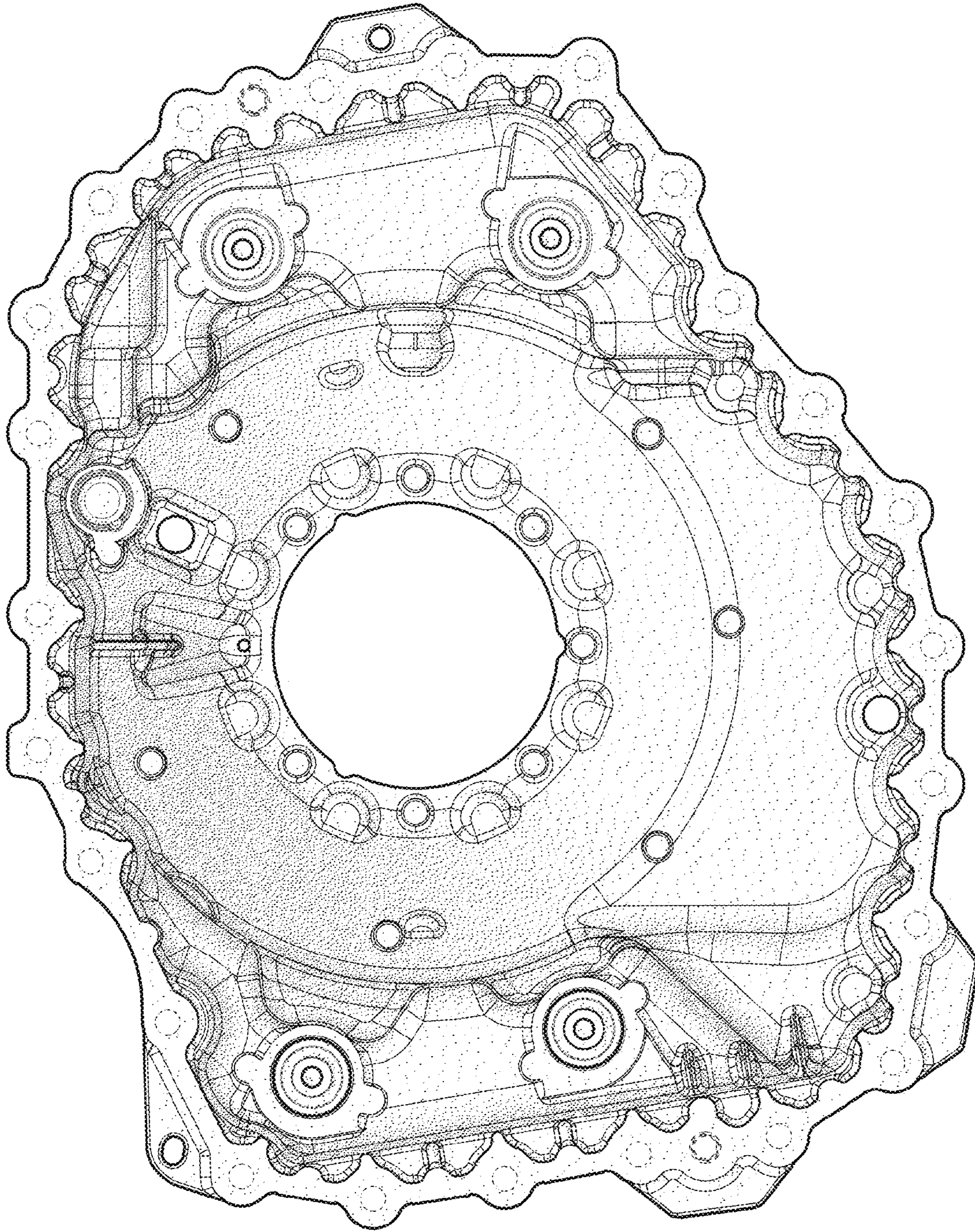


FIG. 13

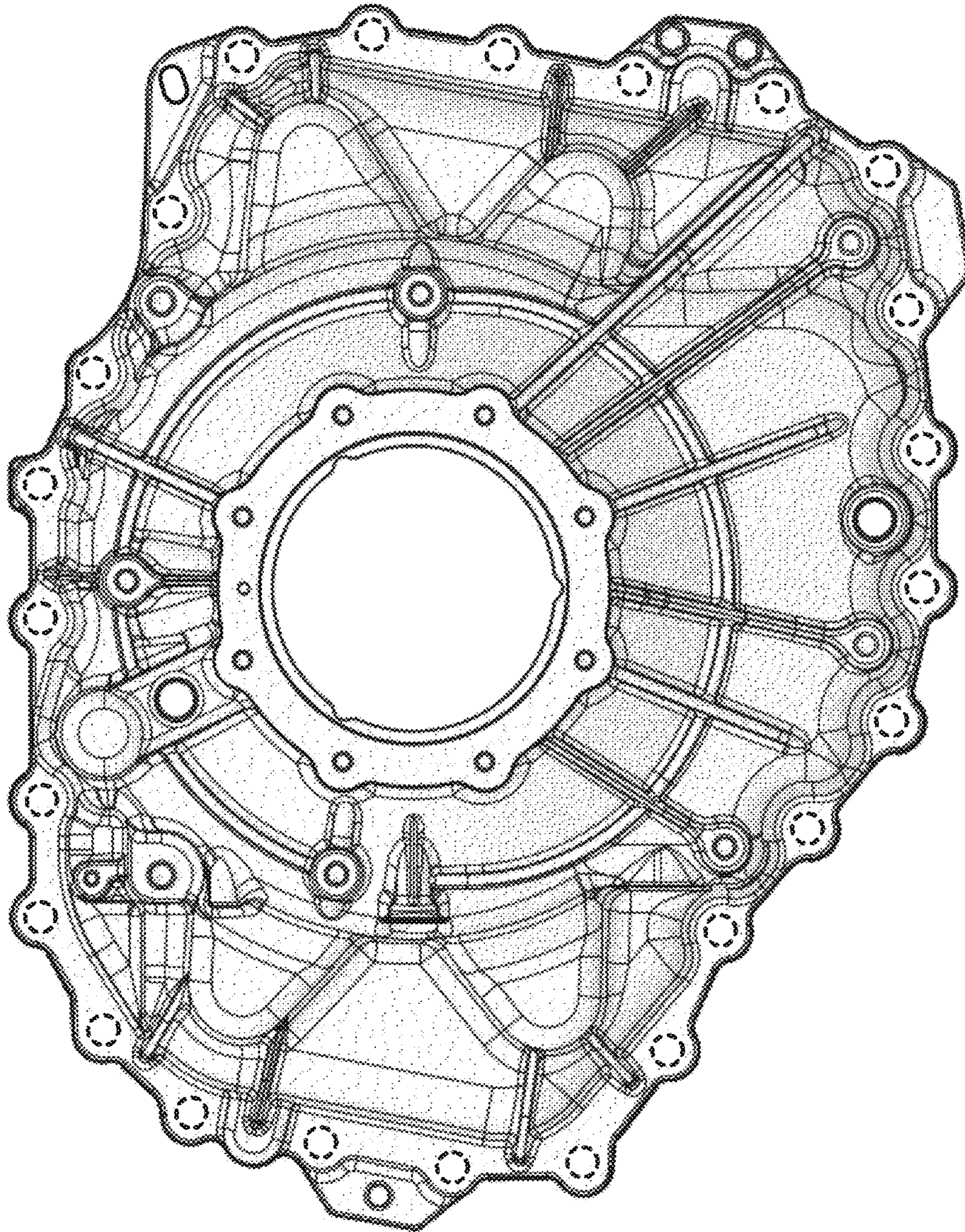


FIG. 14

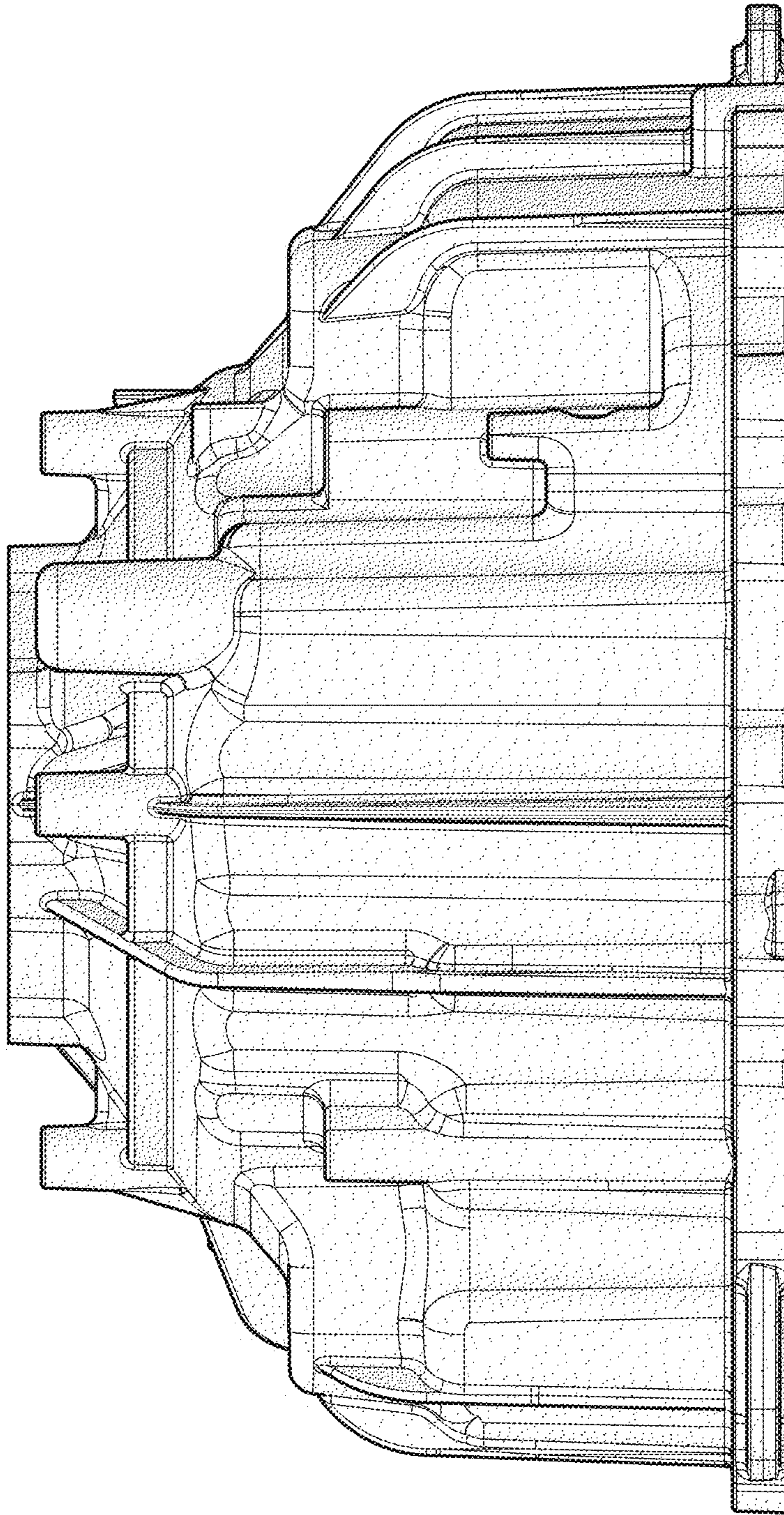


FIG. 15

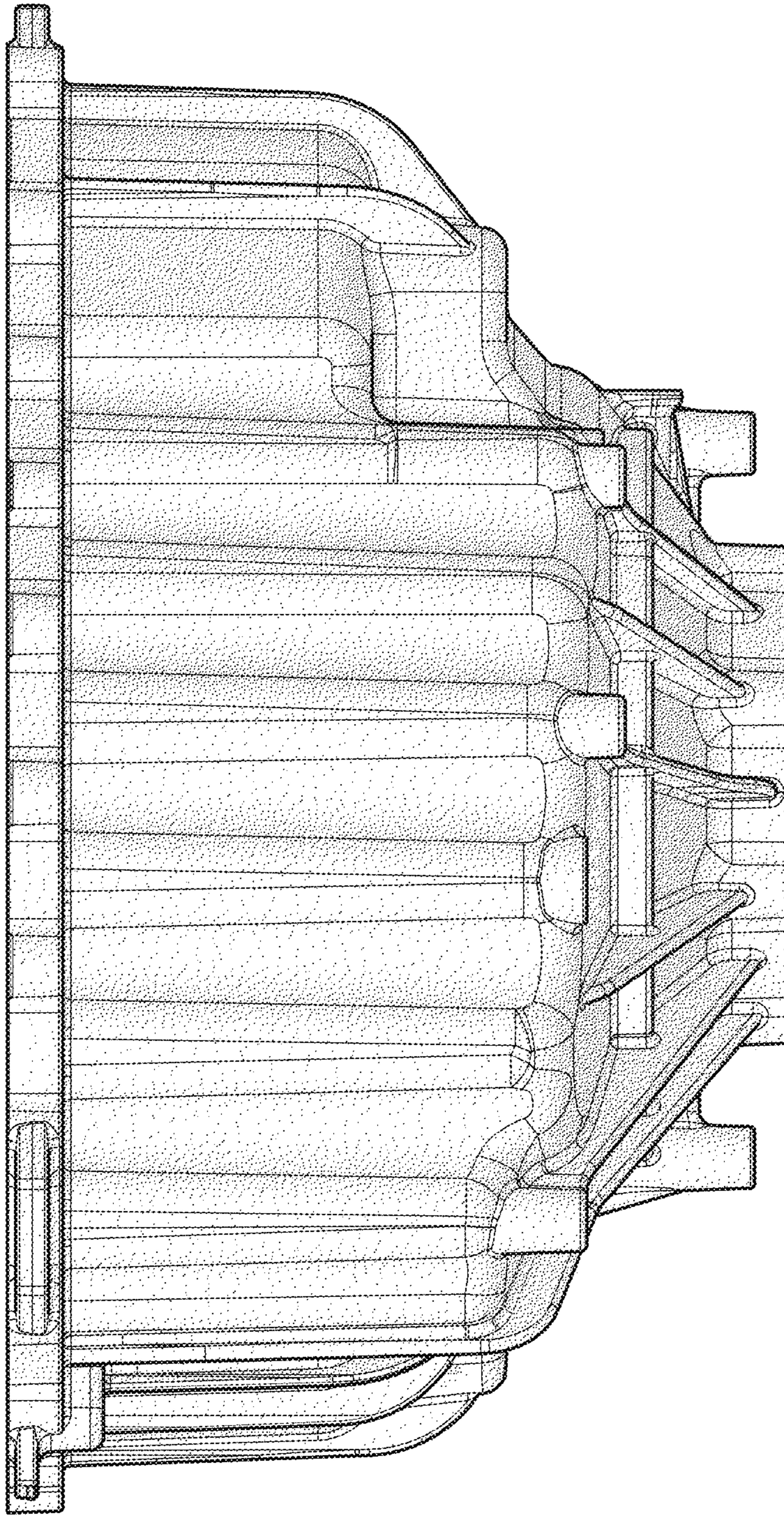


FIG. 16

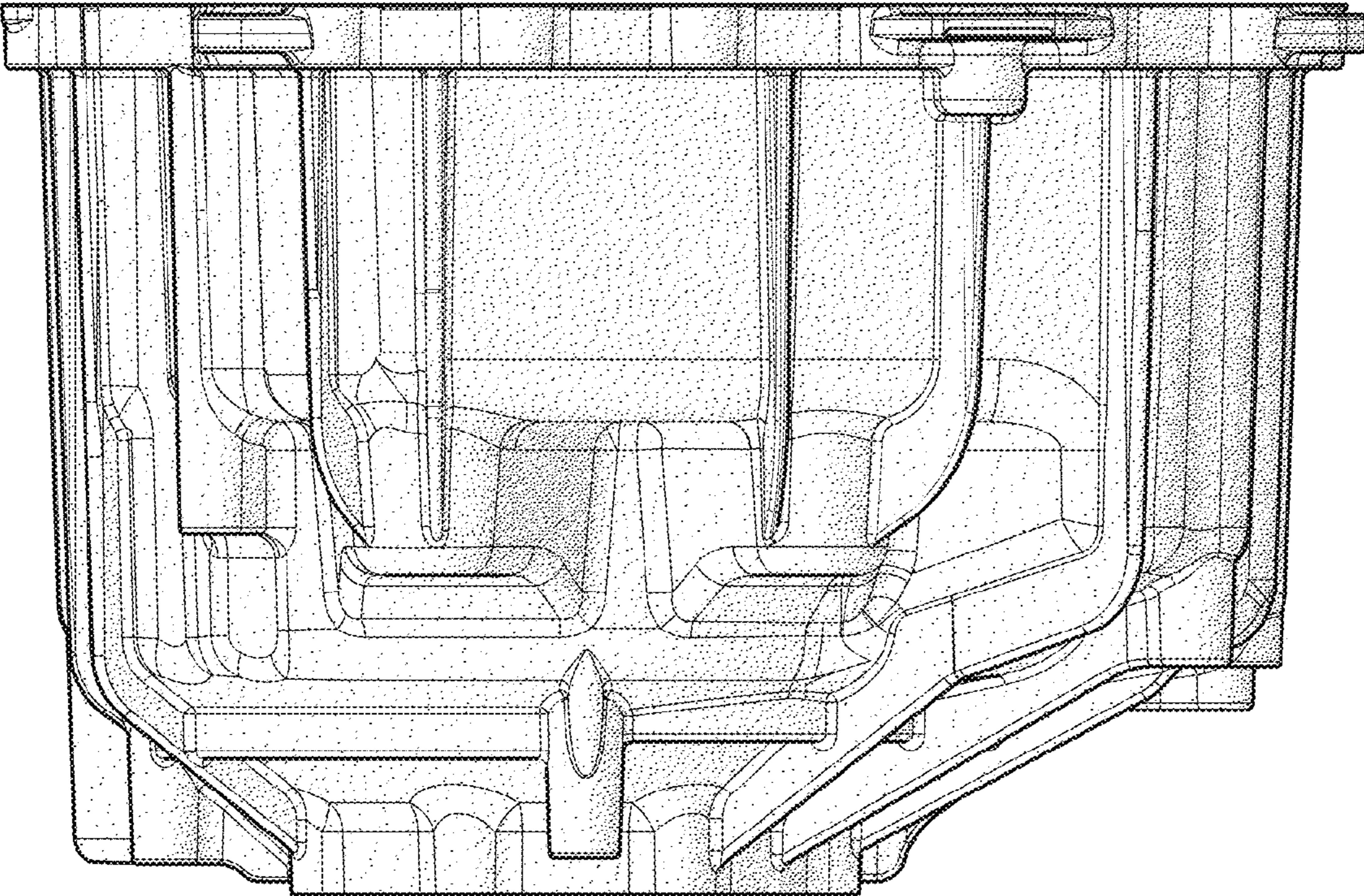


FIG. 17

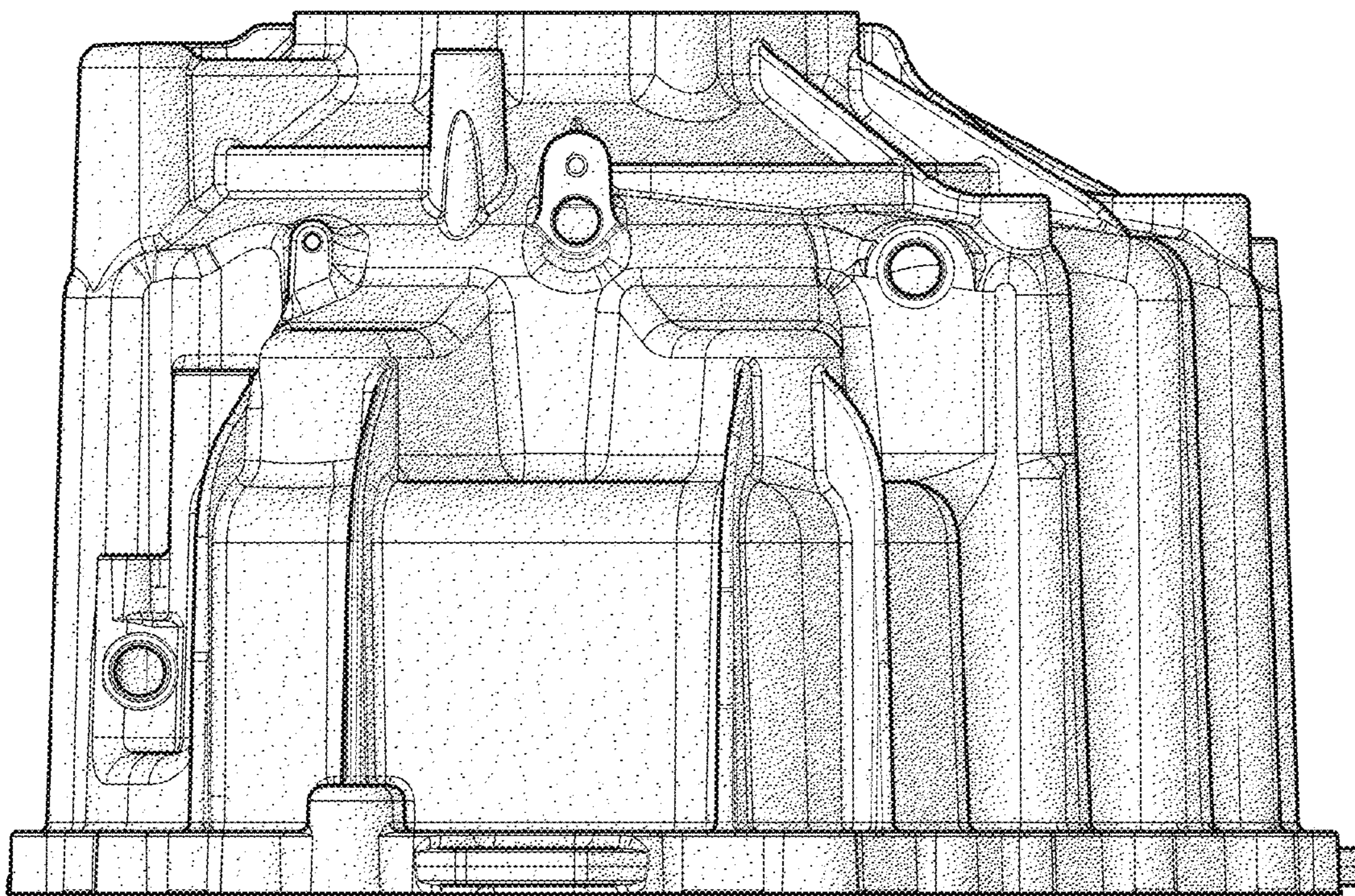


FIG. 18

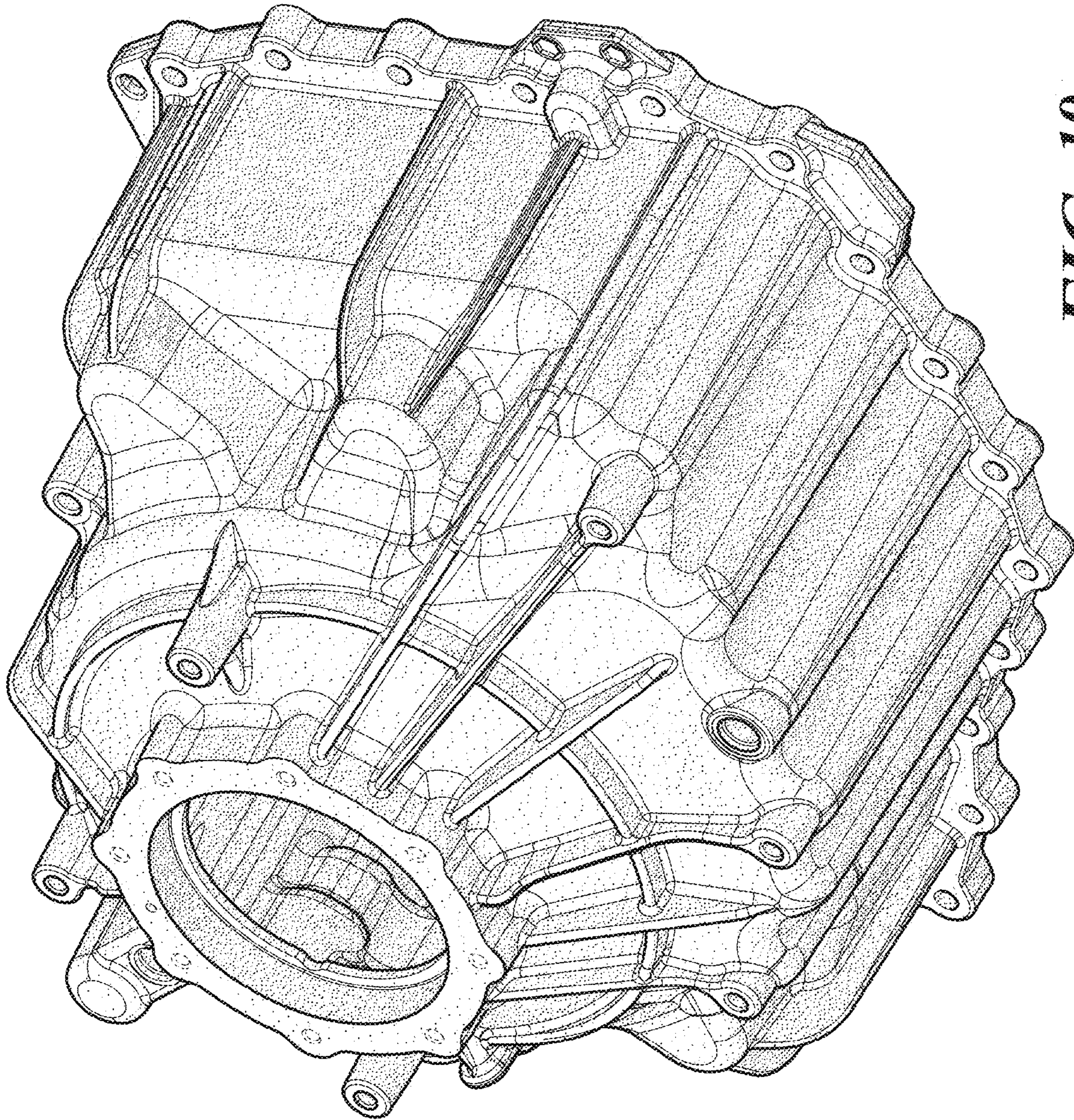


FIG. 19

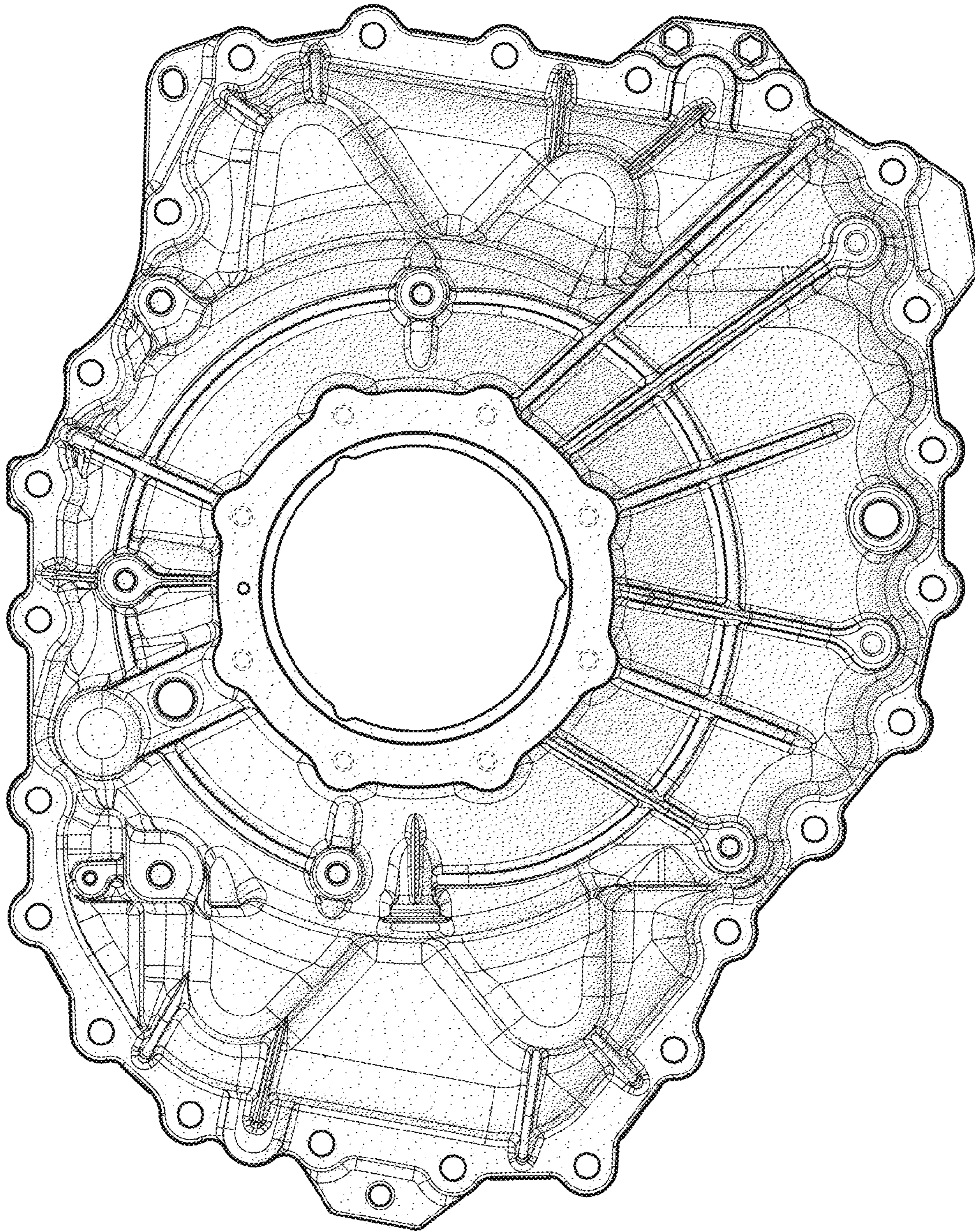


FIG. 20

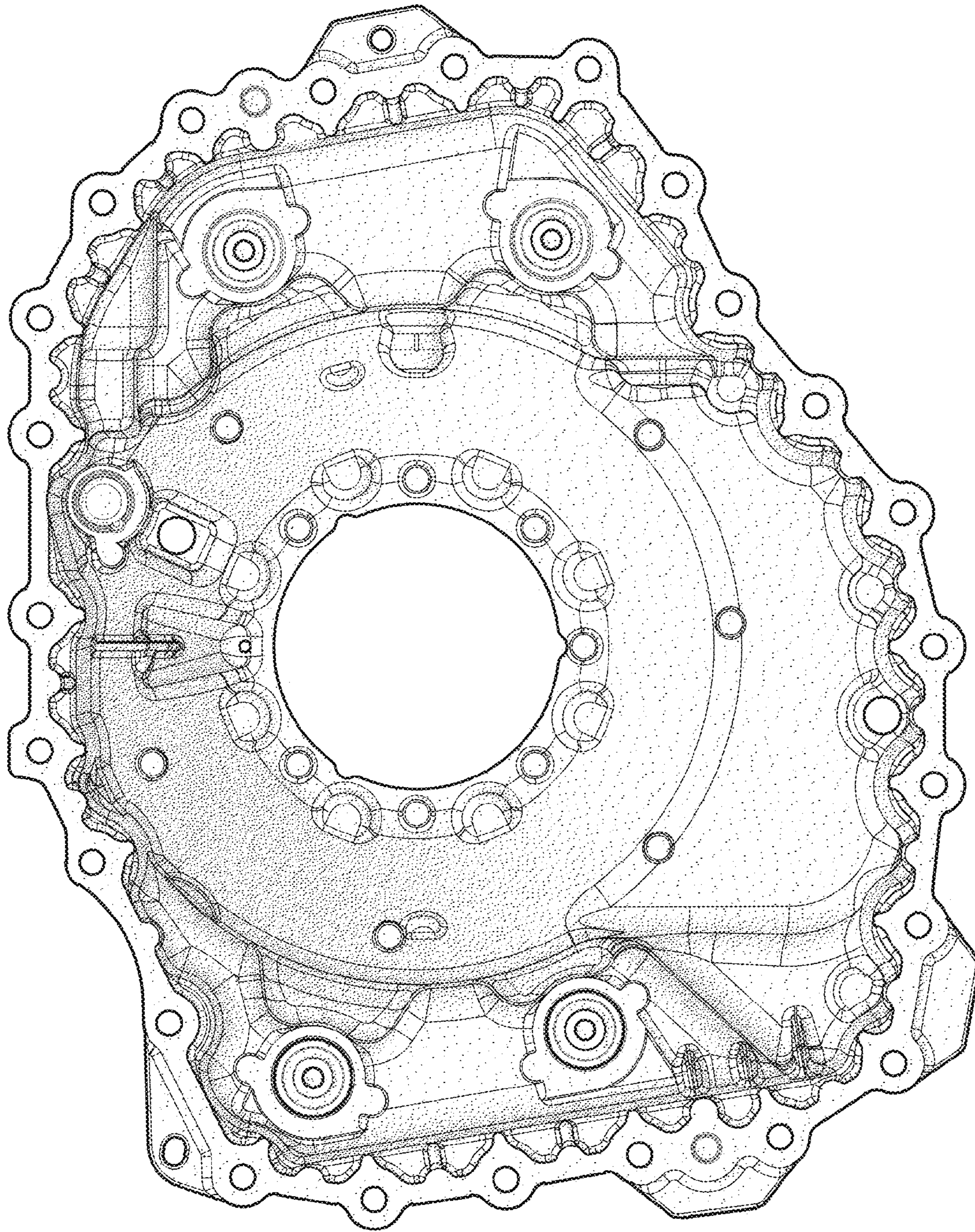


FIG. 21

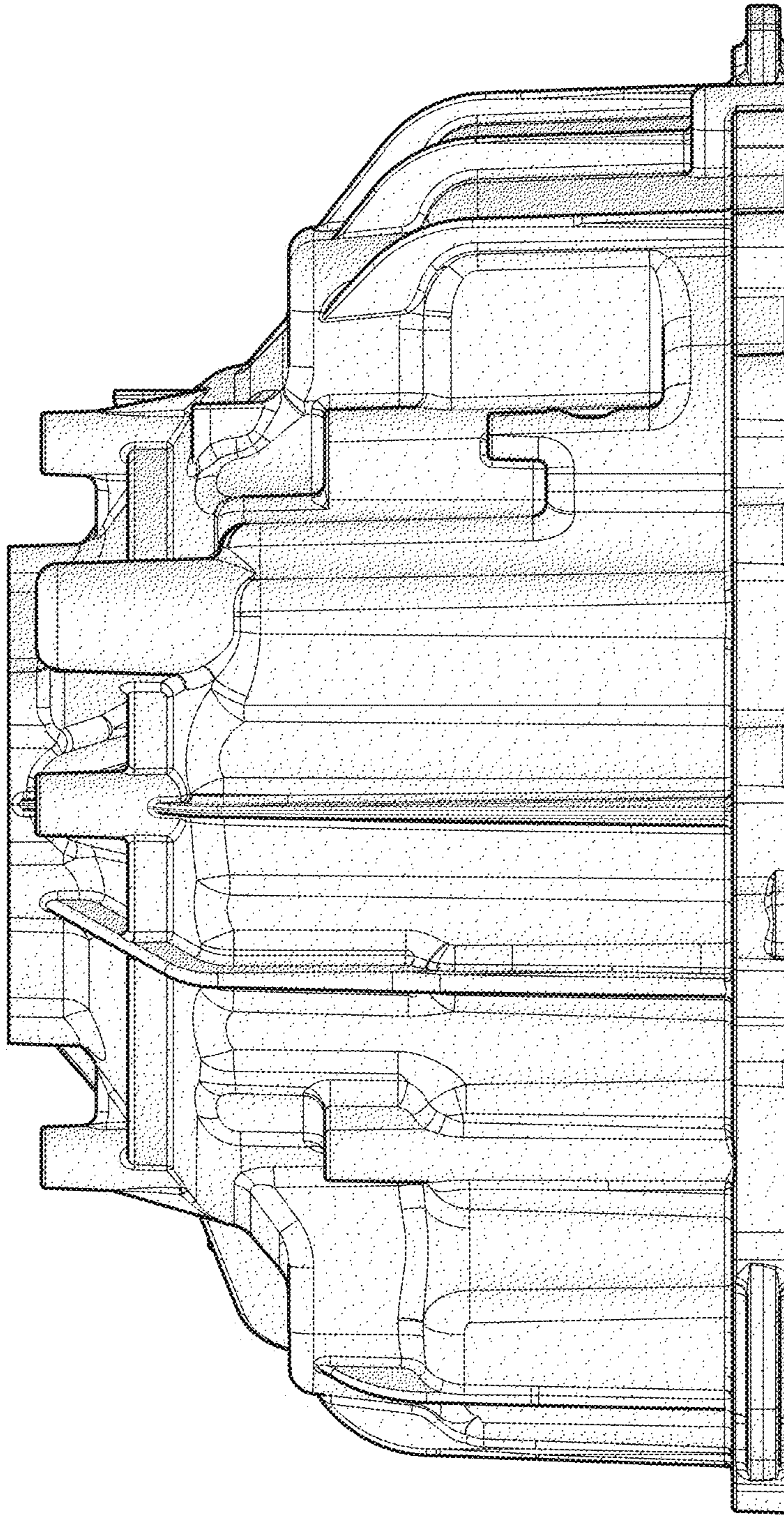


FIG. 22

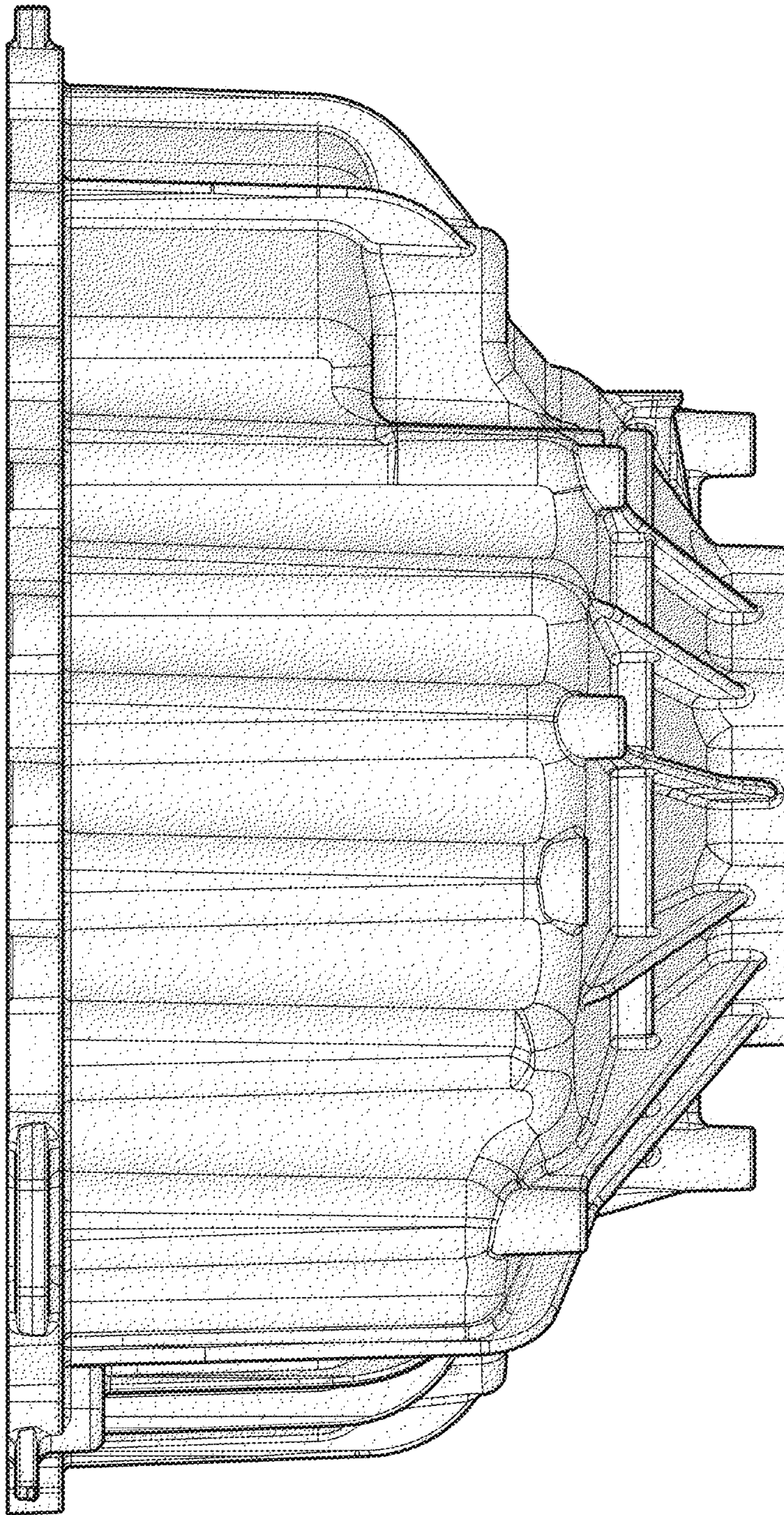


FIG. 23

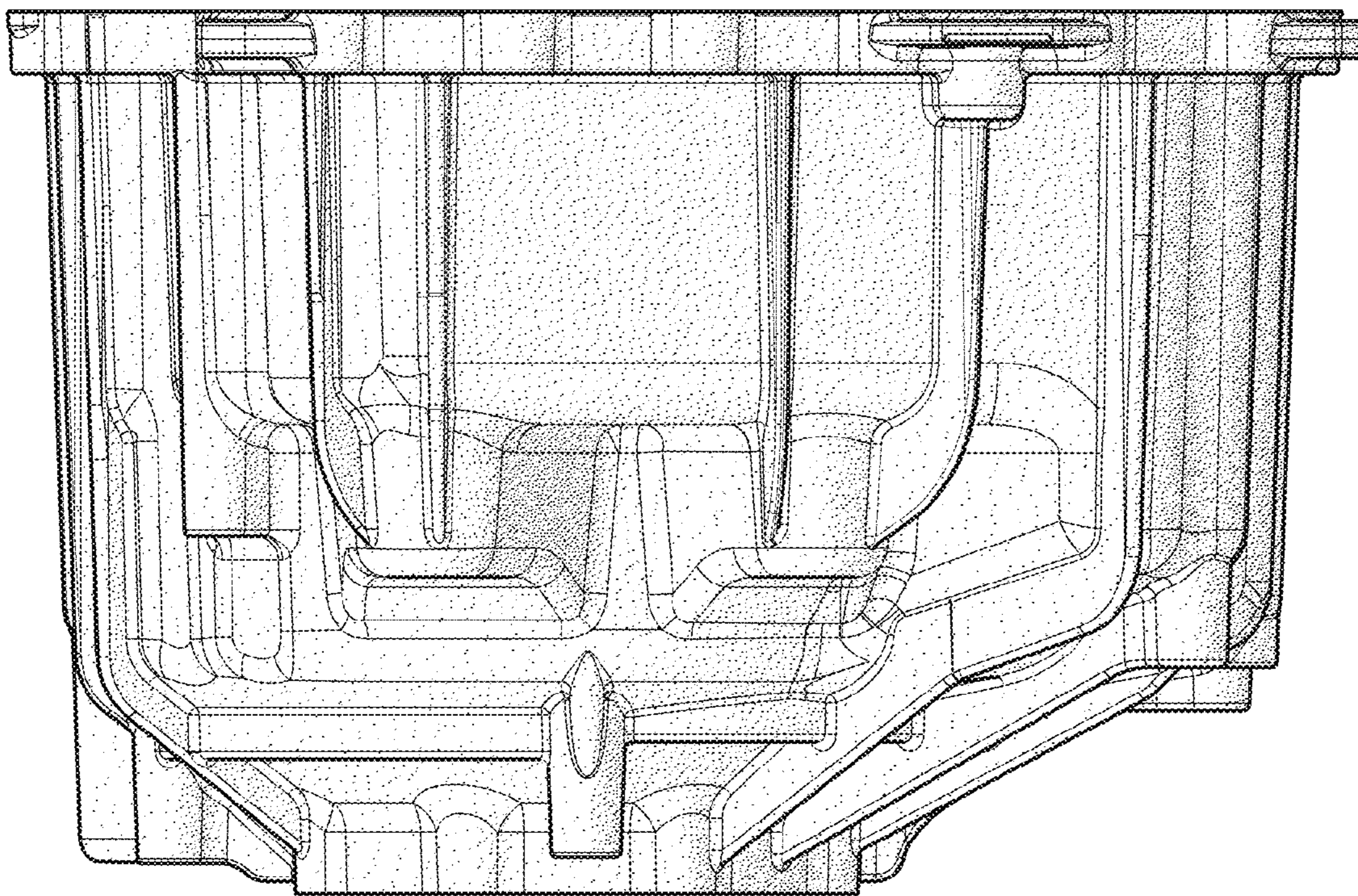


FIG. 24

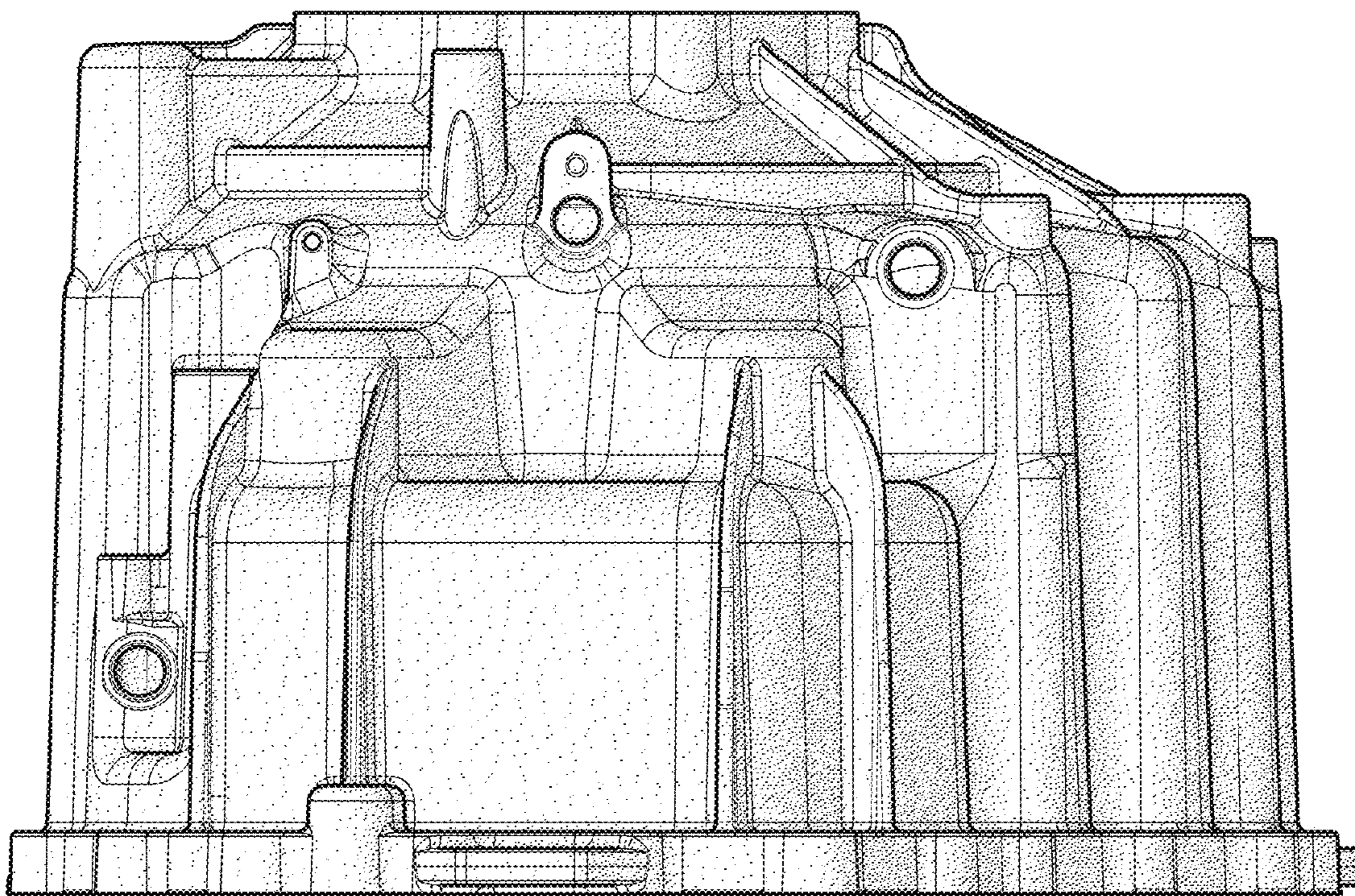


FIG. 25