



US00D914072S

(12) **United States Design Patent** (10) **Patent No.:** **US D914,072 S**
Nelson (45) **Date of Patent:** **** Mar. 23, 2021**

(54) **WRAPPING APPARATUS**
(71) Applicant: **Encore Packaging LLC**, Lake Bluff, IL (US)
(72) Inventor: **Timothy H. Nelson**, Winnetka, IL (US)
(73) Assignee: **ENCORE PACKAGING LLC**, Vernon Hills, IL (US)

4,109,445 A 8/1978 Shulman
4,152,879 A 5/1979 Shulman
4,166,348 A 9/1979 Carlson
4,205,501 A 6/1980 Michels
D256,022 S 7/1980 Shulman
4,317,322 A 3/1982 Lancaster
4,346,550 A 8/1982 Ferree

(Continued)

(**) Term: **15 Years**
(21) Appl. No.: **29/666,094**
(22) Filed: **Oct. 10, 2018**

FOREIGN PATENT DOCUMENTS

EP 1541008 6/2005
WO 2008146315 12/2008

Primary Examiner — Patricia A Palasik

(74) *Attorney, Agent, or Firm* — Fitch, Even, Tabin & Flannery LLP

Related U.S. Application Data

(63) Continuation of application No. 15/804,604, filed on Nov. 6, 2017, now abandoned.

(51) **LOC (13) Cl.** **15-99**

(52) **U.S. Cl.**
USPC **D15/145**

(58) **Field of Classification Search**
USPC D15/122, 138, 145
CPC A01F 2015/074; A01F 2015/076; A01F 2015/077; A01F 2015/0715; B65B 11/04; B65B 57/18

See application file for complete search history.

(56) **References Cited**

U.S. PATENT DOCUMENTS

2,642,708 A 6/1953 Hess
3,162,992 A 12/1964 Davis
3,217,858 A 11/1965 Fellner
3,224,161 A 12/1965 Conti
3,705,476 A 12/1972 Wolf
3,738,079 A 6/1973 Rudman
4,036,268 A 7/1977 Ward
4,068,448 A 1/1978 Modeen
4,077,179 A 3/1978 Lancaster

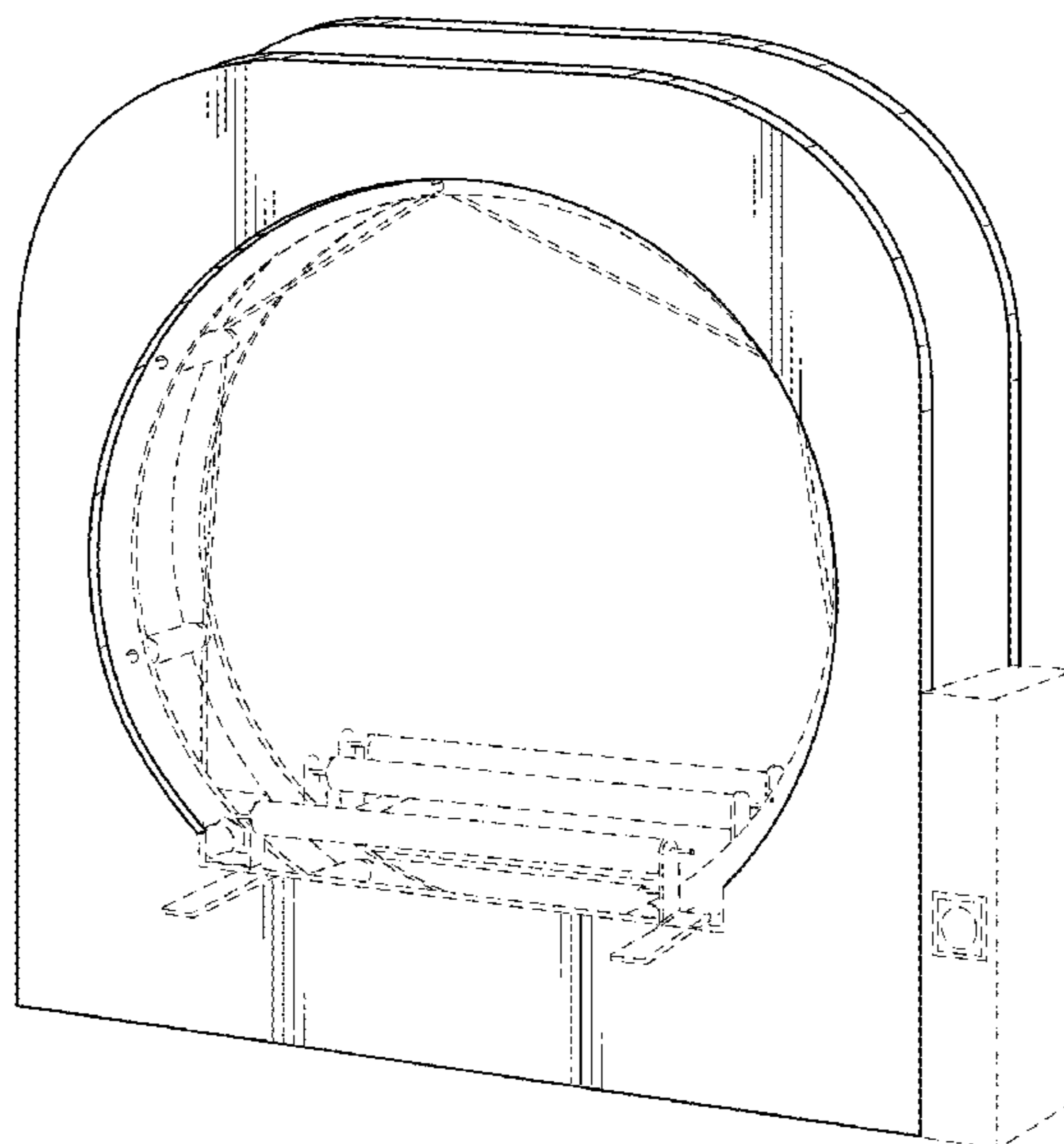
(57) **CLAIM**

We claim the ornamental design for a wrapping apparatus, as shown and described.

DESCRIPTION

FIG. 1 is a front perspective view of a wrapping apparatus in accordance with a first embodiment of our new design. FIG. 2 is a front elevation thereof. FIG. 3 is a top plan view thereof. FIG. 4 is a left side elevation thereof. FIG. 5 is a right side elevation thereof. FIG. 6 is a bottom plan view thereof. FIG. 7 is a front perspective view of a wrapping apparatus in accordance with a second embodiment of our new design. FIG. 8 is a front elevation thereof. FIG. 9 is a top plan view thereof. FIG. 10 is a left side elevation thereof. FIG. 11 is a right side elevation thereof; and, FIG. 12 is a bottom plan view thereof. Any portions of the wrapping apparatus shown in broken lines in the figures depict unclaimed environmental subject matter and form no part of the claimed design.

1 Claim, 8 Drawing Sheets



(56)

References Cited

U.S. PATENT DOCUMENTS

4,369,614 A	1/1983	Tetzner	6,237,307 B1	5/2001	Zentmyer
4,418,510 A	12/1983	Lancaster, III	6,293,074 B1	9/2001	Lancaster, III
4,517,890 A	5/1985	Campbell	6,470,657 B2	10/2002	Huson
4,524,568 A	6/1985	Lancaster	D488,822 S	4/2004	Shibazaki et al.
4,546,598 A	10/1985	Karpisek	6,745,544 B2	6/2004	Matsumoto
4,620,408 A	11/1986	Parnes	7,178,317 B1	2/2007	Koskela
D295,525 S	5/1988	Sakaki	7,210,649 B2	5/2007	Yu Chen
4,821,489 A	4/1989	MacLeod	D552,642 S	10/2007	Scheinman
4,832,767 A	5/1989	Eller	7,552,891 B2	6/2009	Huang
D306,391 S	3/1990	Huang	7,731,082 B2	6/2010	Jackson
D307,435 S	4/1990	Sakaki	7,827,766 B2	11/2010	Matsumoto
D308,977 S	7/1990	Sakaki	D696,323 S	12/2013	Hannen
4,953,336 A	9/1990	Lancaster, III	9,199,752 B2	12/2015	Kivelä
4,979,358 A	12/1990	Keip	D798,352 S	9/2017	Si
5,027,579 A	7/1991	Keip	D827,001 S *	8/2018	Nelson D15/145
5,182,894 A	2/1993	Bate	2001/0029725 A1	10/2001	Suolahti
5,285,891 A	2/1994	Keip	2003/0110737 A1	6/2003	Lancaster
5,301,493 A	4/1994	Chen	2006/0260279 A1	11/2006	Jafari
5,423,163 A	6/1995	Wendt	2007/0204564 A1	9/2007	Lancaster, III
5,457,931 A	10/1995	Kurata	2008/0168643 A1	7/2008	Albert
5,505,042 A	4/1996	Keip	2009/0235617 A1	9/2009	Moore
5,531,061 A	7/1996	Peterson	2014/0298754 A1	10/2014	Van Wijngaarden
5,570,564 A	11/1996	Moore	2015/0259087 A1	9/2015	Schwartz
5,694,748 A	12/1997	Rochman	2016/0137454 A1	5/2016	Stanton
5,934,049 A	8/1999	Cerf	2017/0006779 A1	1/2017	Keune
			2017/0057673 A1	3/2017	Corberi
			2017/0327260 A1	11/2017	Lancaster, III
			2018/0162567 A1	6/2018	Cere Mauro

* cited by examiner

FIG. 1

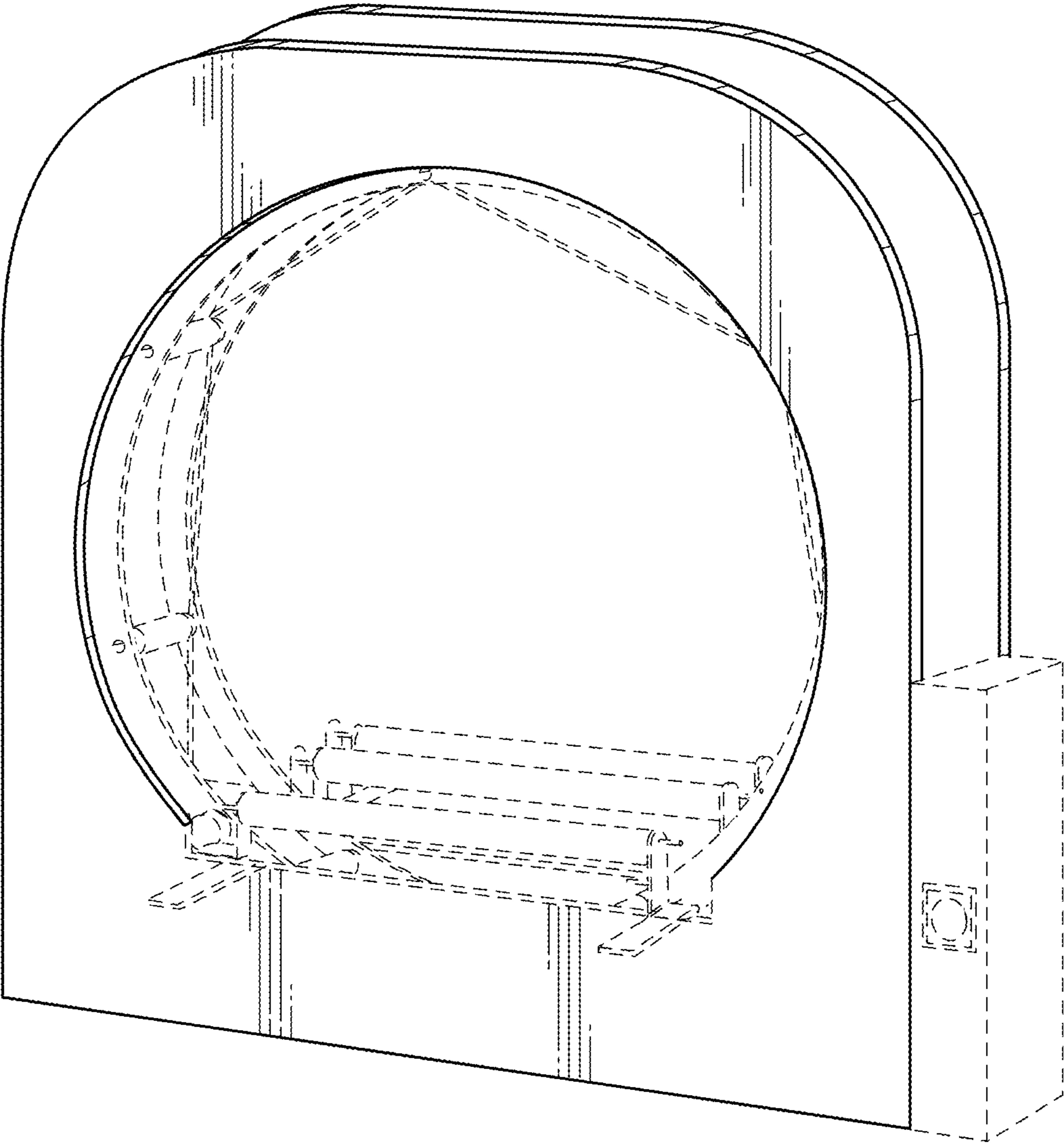


FIG. 2

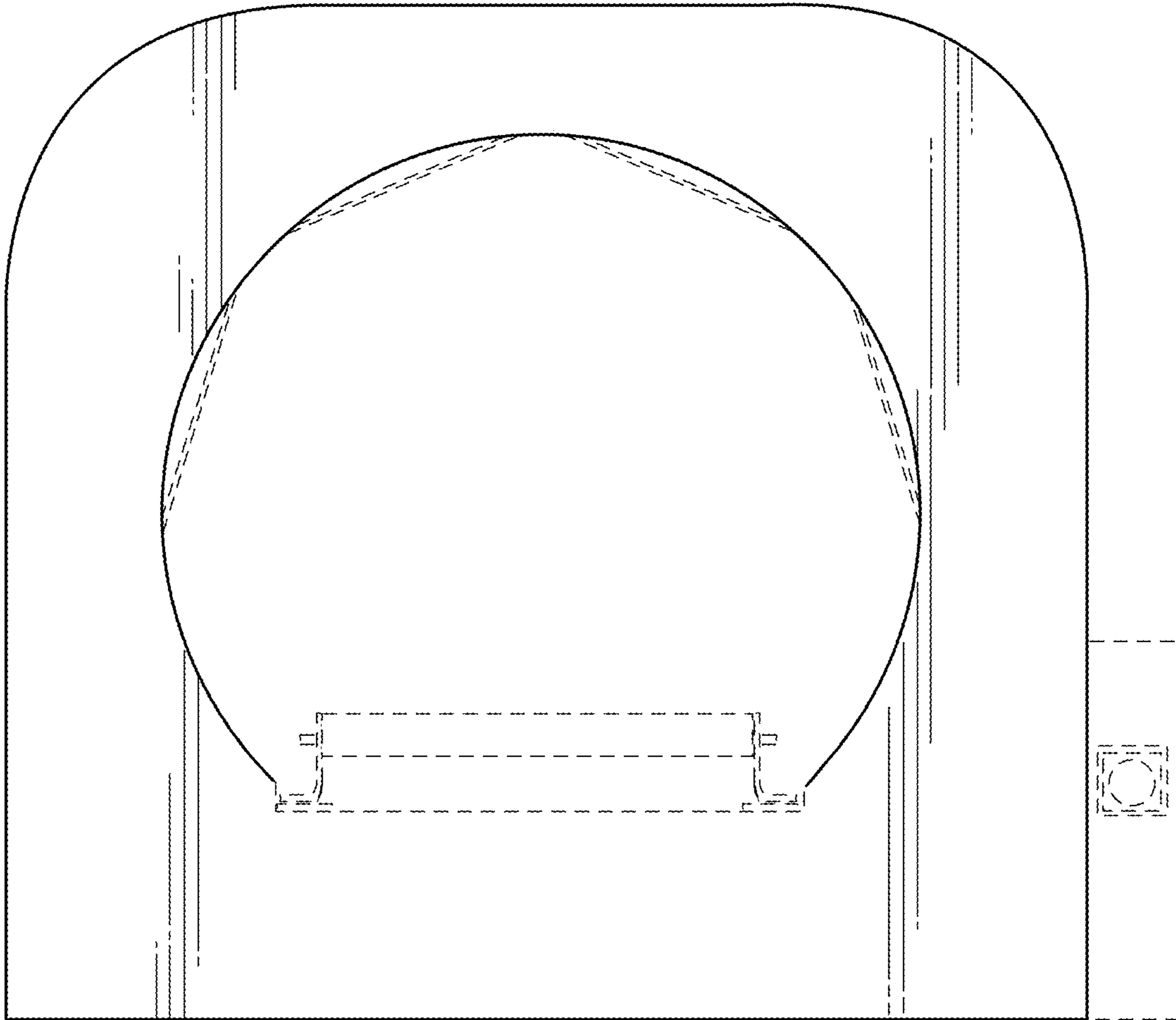


FIG. 3

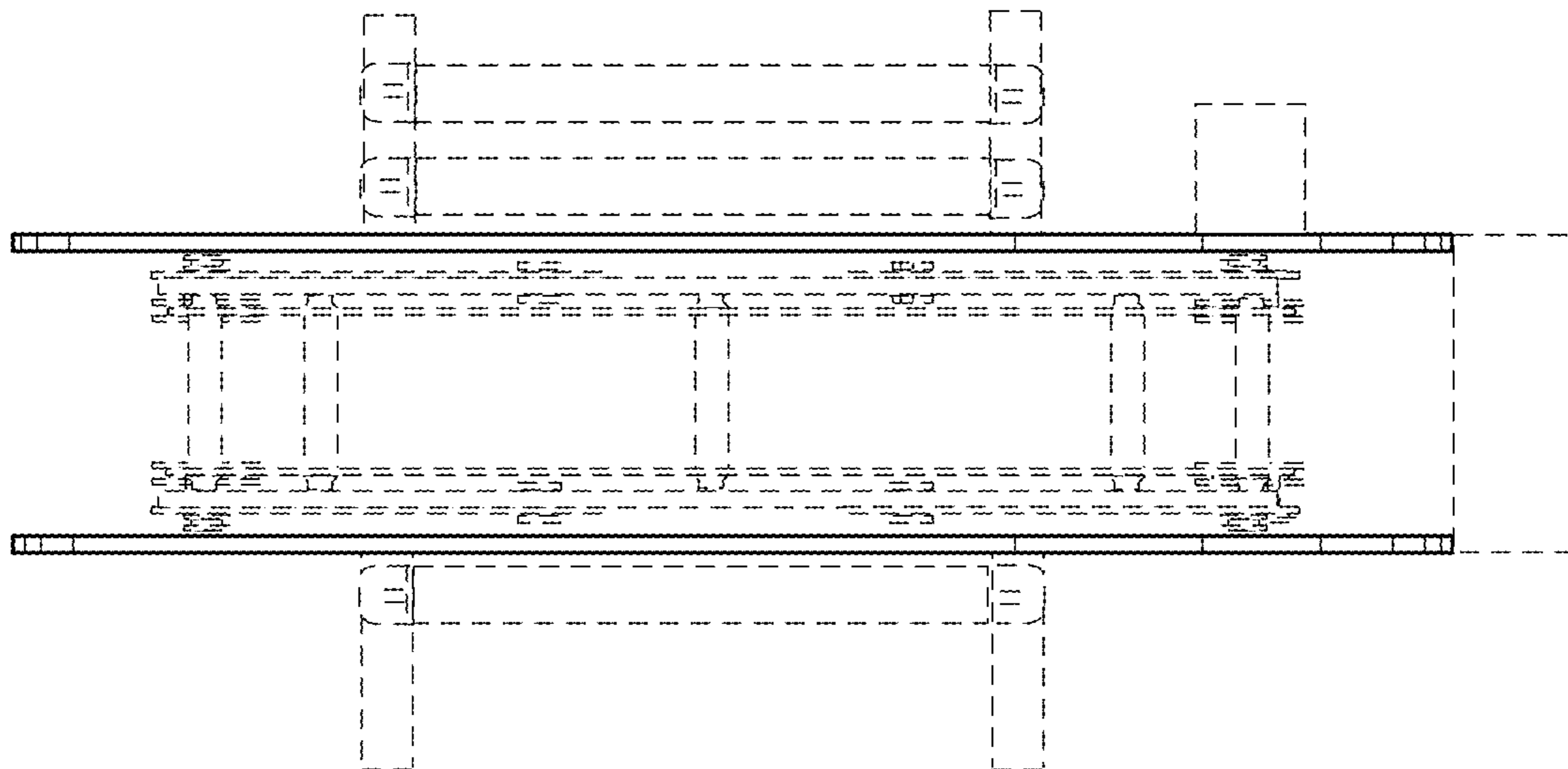


FIG. 4

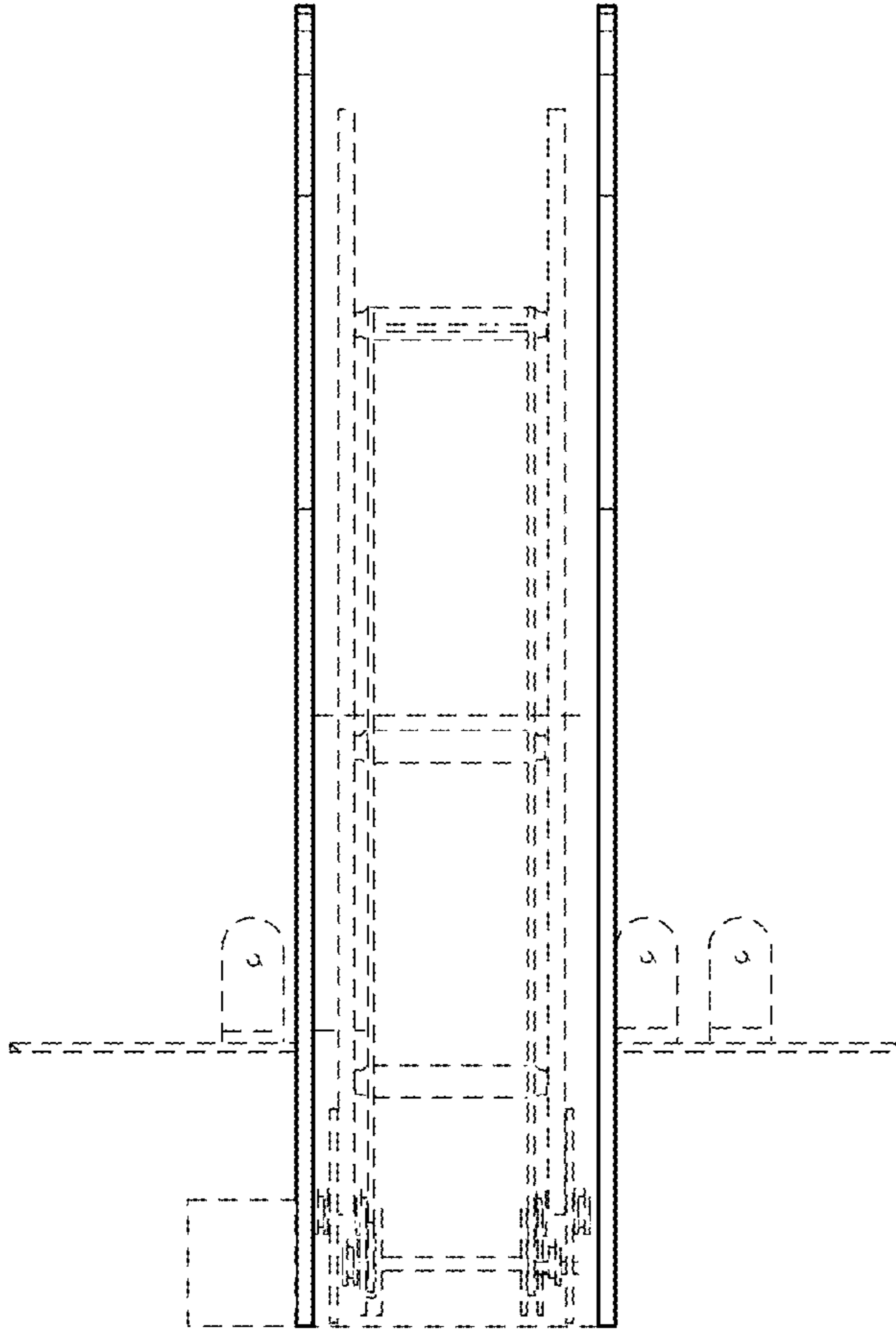


FIG. 5

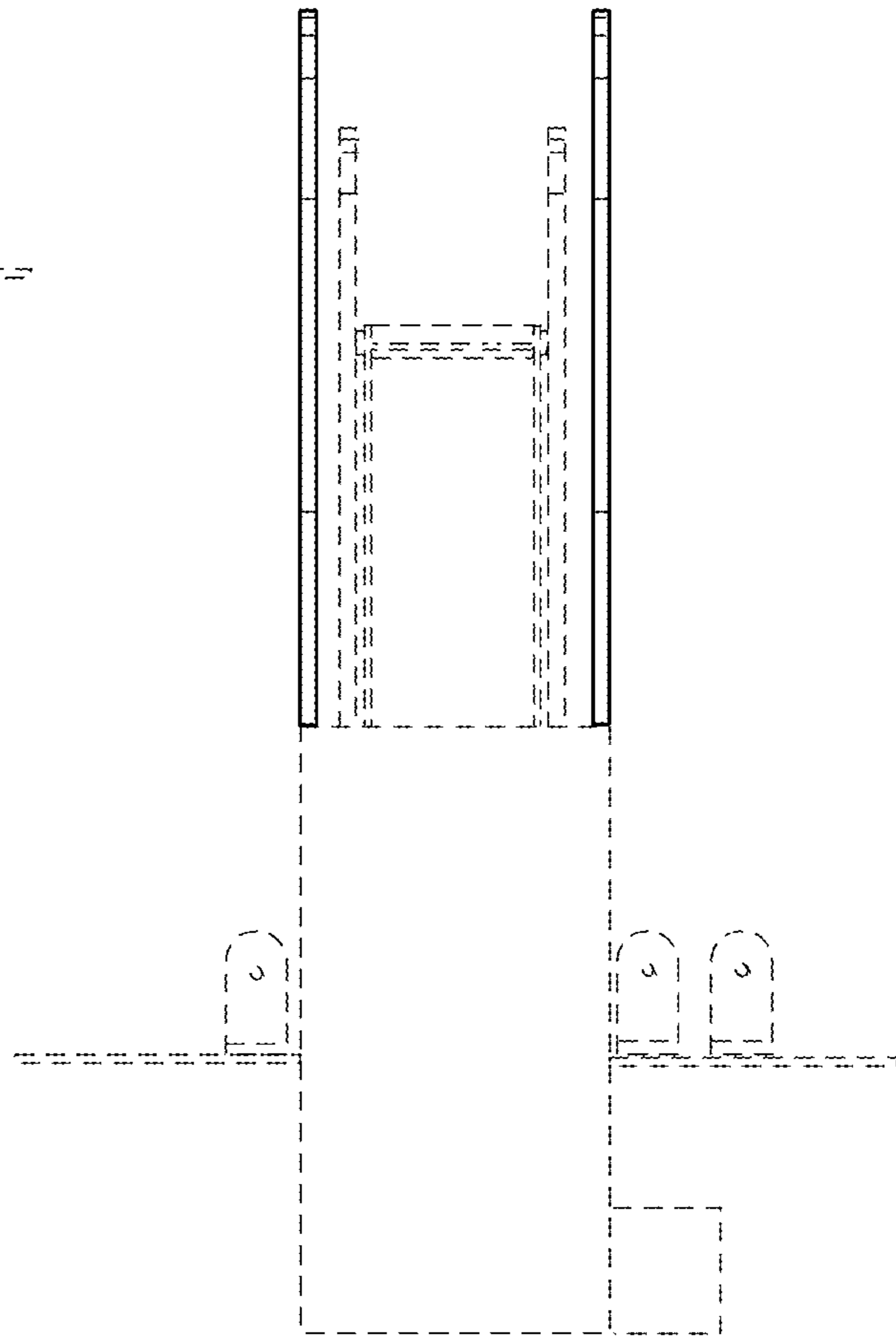


FIG. 6

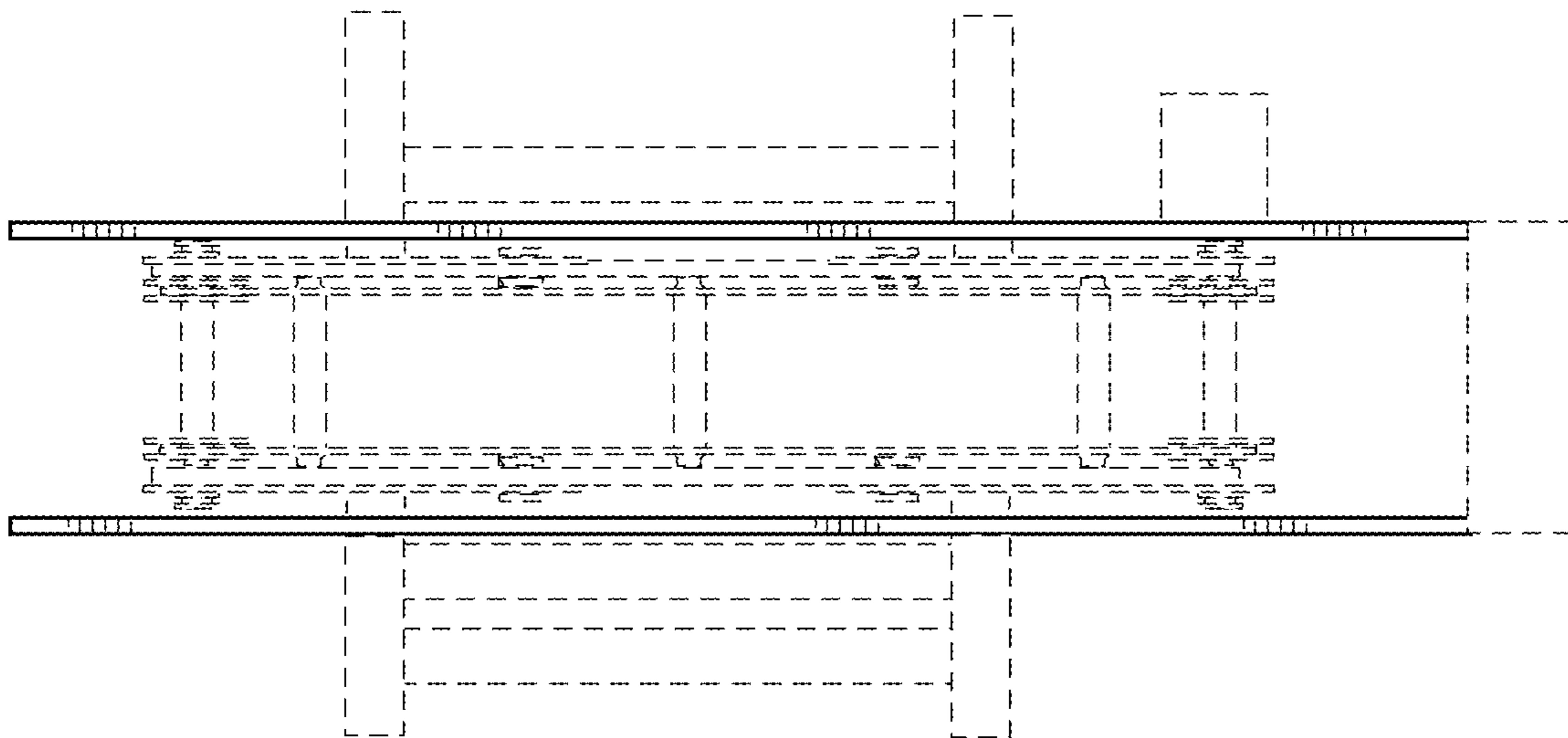


FIG. 7

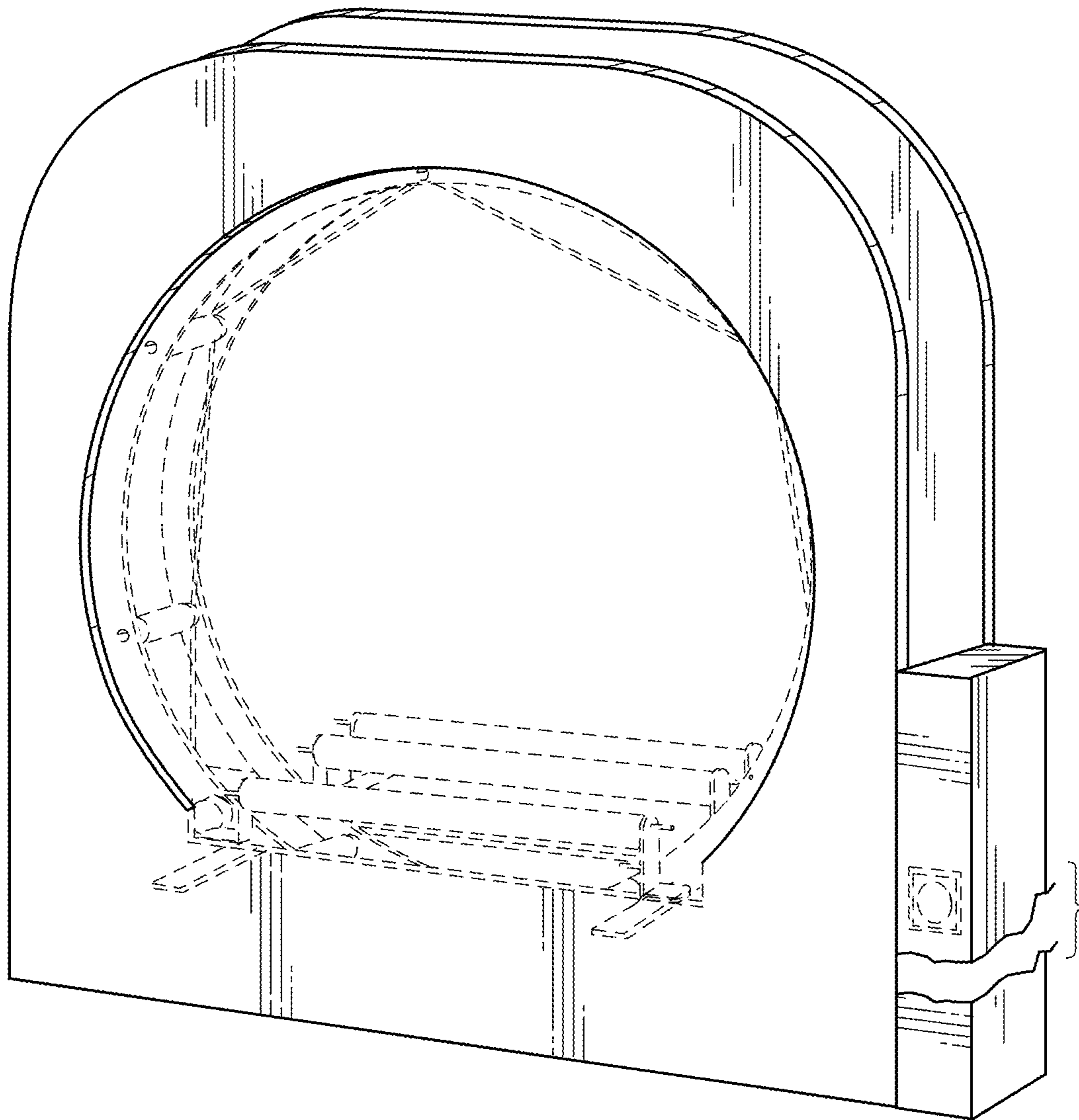


FIG. 8

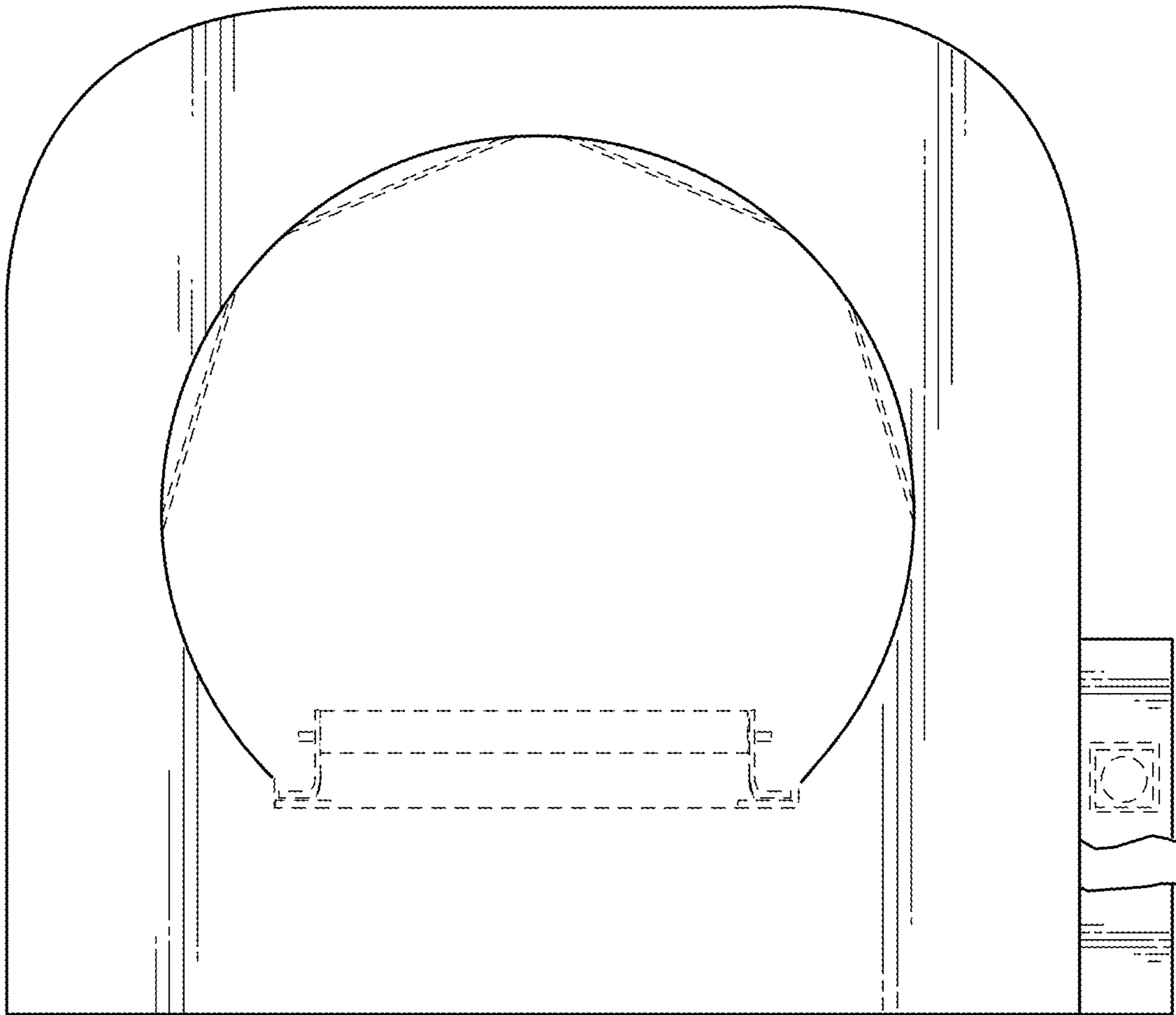


FIG. 9

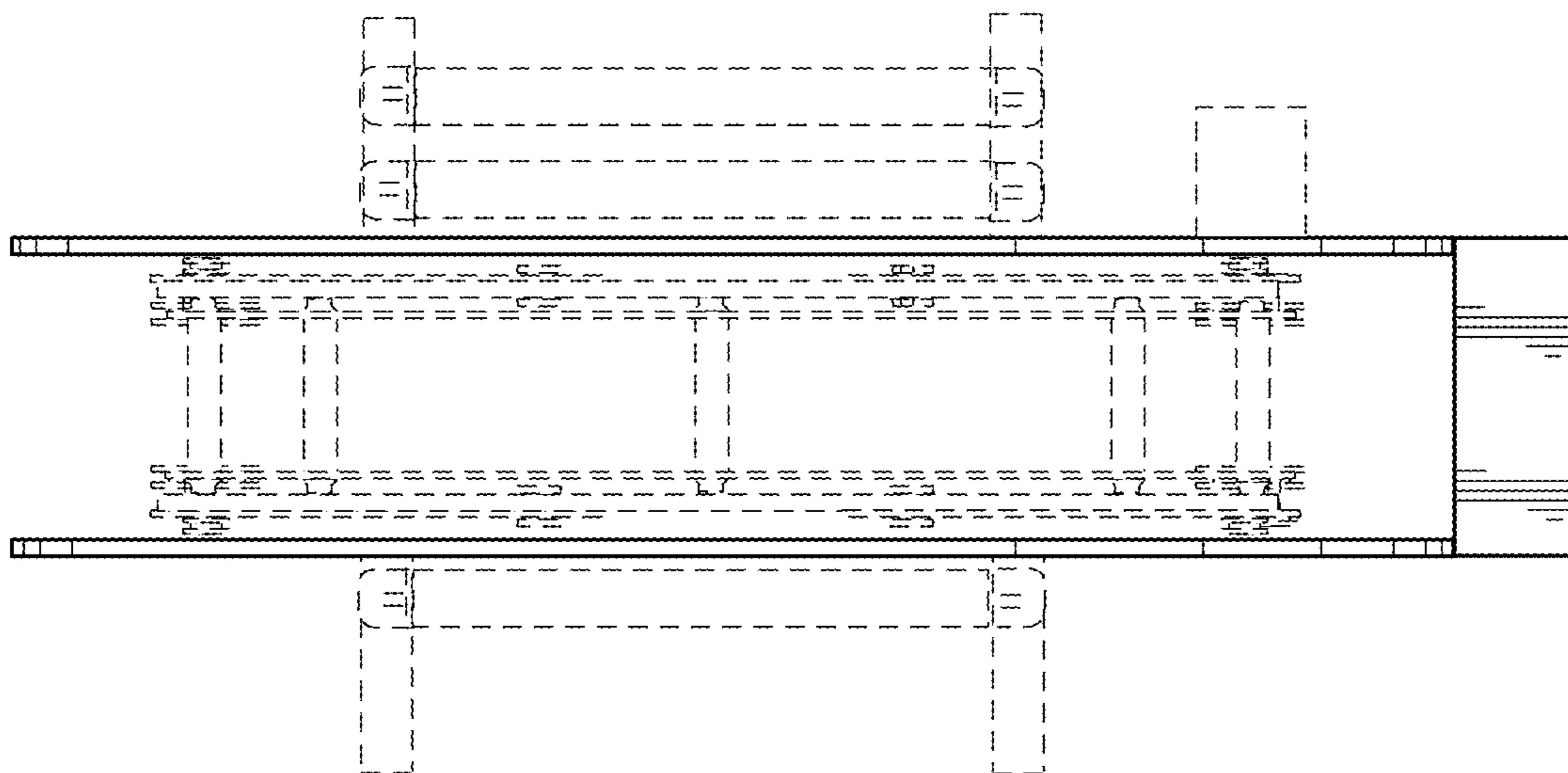


FIG. 10

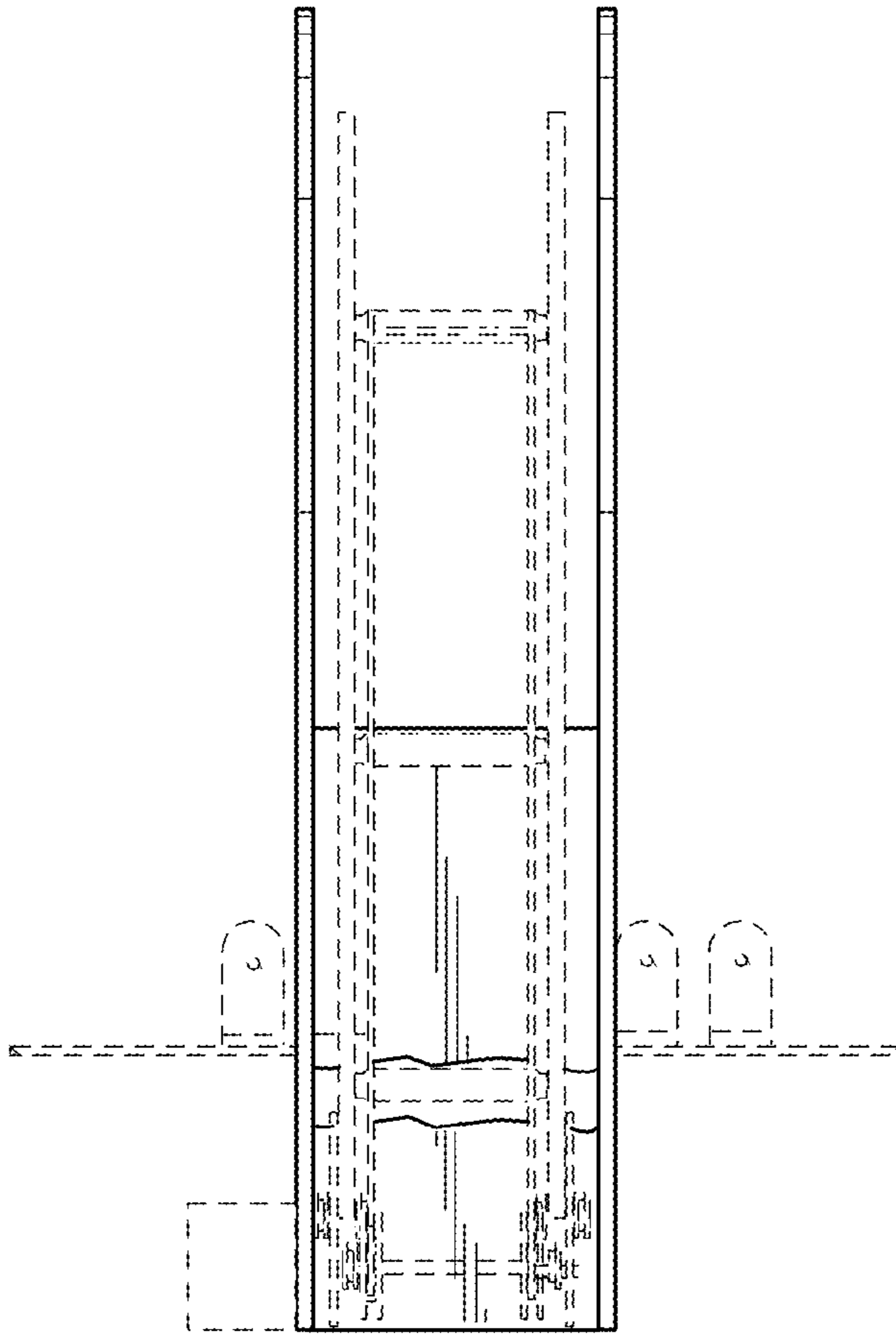


FIG. 11

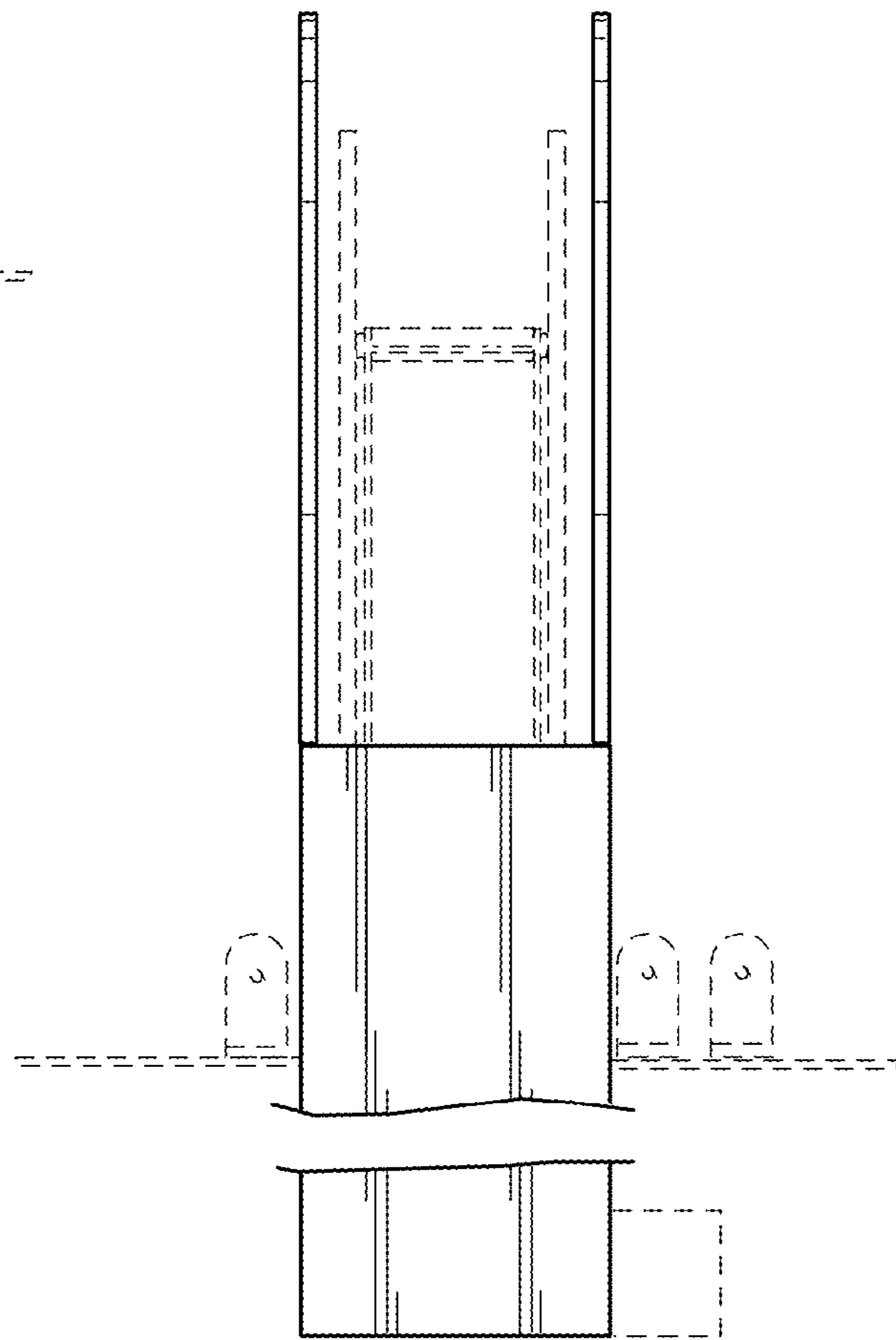


FIG. 12

