



US00D914071S

(12) **United States Design Patent** (10) **Patent No.:** **US D914,071 S**
Dekker et al. (45) **Date of Patent:** **** Mar. 23, 2021**

(54) **WELDING DEVICE ENCLOSURE**

FOREIGN PATENT DOCUMENTS

(71) Applicant: **ESAB AB**, Gothenburg (SE)

CA 179665 S 12/2018
CN 206732399 U 12/2017

(72) Inventors: **Jeroen Dekker**, Olofstorp (SE); **Johan Johansson**, Vedum (SE)

(Continued)

(73) Assignee: **ESAB AB**, Gothenburg (SE)

OTHER PUBLICATIONS

(**) Term: **15 Years**

Notification of Transmittal of International Search Report and Written Opinion including the International Search Report and Written Opinion for International Application No. PCT/IB2019/059145 dated Mar. 13, 2020, 18 pages.

(21) Appl. No.: **29/668,891**

Primary Examiner — Michael C Stout
Assistant Examiner — Fritzgerald L Butac

(22) Filed: **Nov. 2, 2018**

(51) **LOC (13) Cl.** **15-09**

(74) *Attorney, Agent, or Firm* — Edell, Shapiro & Finnan, LLC

(52) **U.S. Cl.**
USPC **D15/144**

(57) **CLAIM**

(58) **Field of Classification Search**
USPC D8/29.1; D13/101, 109, 110, 112, 116,
D13/122, 123, 133, 144, 184; D15/122,
D15/138, 144, 144.1, 144.2, 145
CPC ... B23K 9/00; B29C 65/1432; B29C 65/1467;
B29C 65/4815; B29C 65/5042; B29C
65/5092
See application file for complete search history.

The ornamental design for a welding device enclosure, as shown and described.

DESCRIPTION

(56) **References Cited**

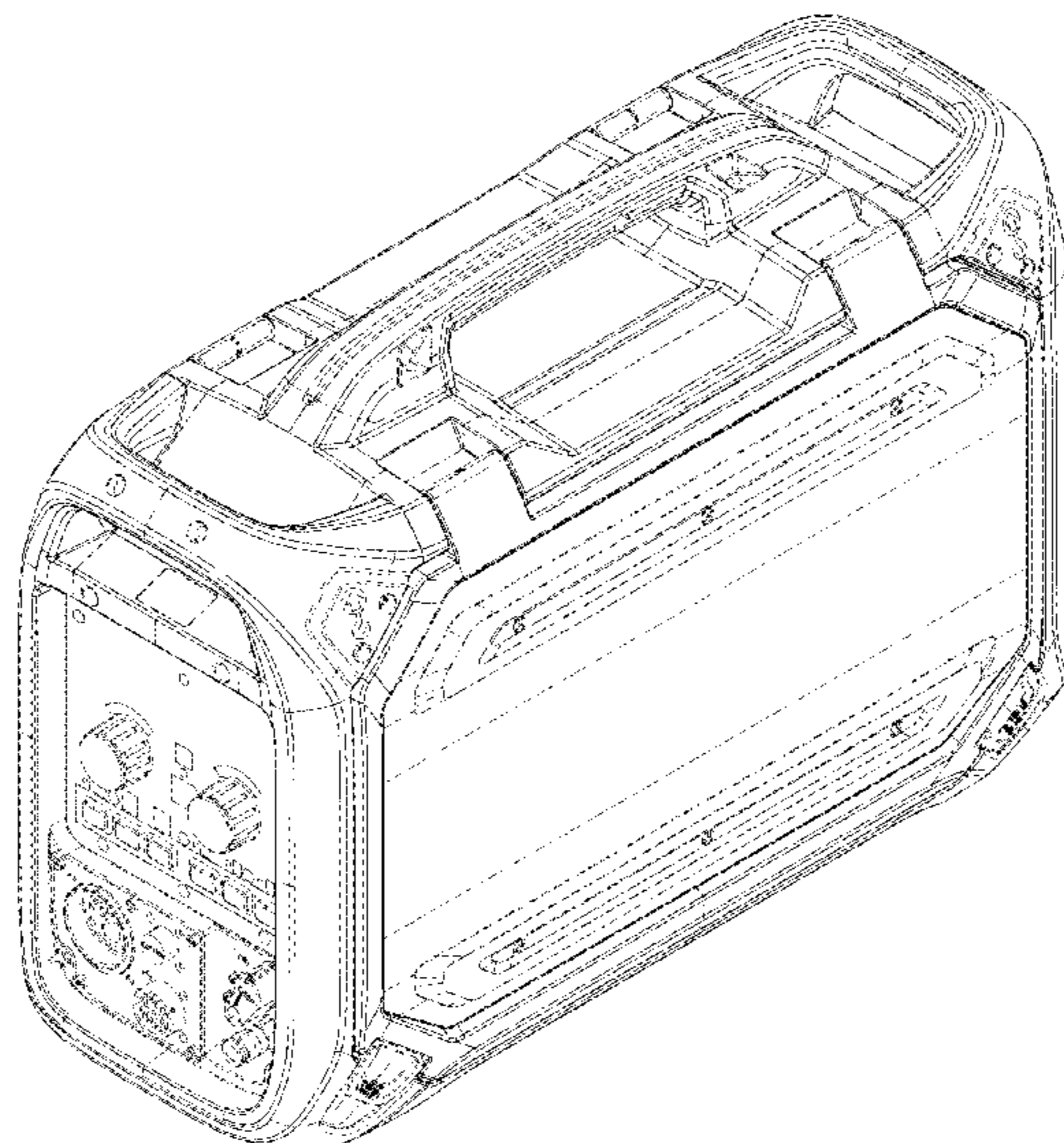
U.S. PATENT DOCUMENTS

1,948,337 A 2/1934 Crawford
D135,932 S 7/1943 Genter
3,066,886 A 12/1962 Beaver et al.
3,331,545 A 7/1967 Olivieri
3,356,274 A 12/1967 Bernard et al.
3,430,832 A 3/1969 Meyer
3,629,547 A 12/1971 Kester et al.
3,697,721 A 10/1972 Robba et al.
3,775,586 A 11/1973 Flint et al.
3,924,095 A 12/1975 Lucas, Jr.
4,017,710 A 4/1977 Watt
4,035,602 A 7/1977 Berghof

(Continued)

FIG. 1 is a front perspective view of the welding device enclosure showing our new design;
FIG. 2 is a rear perspective view of the welding device enclosure of FIG. 1;
FIG. 3 is a front view of the welding device enclosure of FIG. 1;
FIG. 4 is a rear view of the welding device enclosure of FIG. 1;
FIG. 5 is a right side view of the welding device enclosure of FIG. 1;
FIG. 6 is a left side view of the welding device enclosure of FIG. 1;
FIG. 7 is a top view of the welding device enclosure of FIG. 1; and,
FIG. 8 is a bottom view of the welding device enclosure of FIG. 1.
The broken lines show portions of a welding device enclosure that form no part of the claimed design.

1 Claim, 8 Drawing Sheets



(56)

References Cited

U.S. PATENT DOCUMENTS

4,521,670	A	6/1985	Case, Jr. et al.	D665,833	S *	8/2012	Raymond	D15/144
4,698,975	A	10/1987	Tsukamoto et al.	8,256,659	B2	9/2012	Enyedy et al.	
4,720,044	A	1/1988	Stemwedel, Jr.	8,258,421	B2	9/2012	Halvorsen et al.	
D309,597	S *	7/1990	Higuchi	8,263,896	B2	9/2012	Schneider	
D335,862	S *	5/1993	Kusunoki	8,338,752	B2	12/2012	Enyedy et al.	
5,338,917	A	8/1994	Stuart et al.	D675,655	S	2/2013	Leach	
5,357,076	A	10/1994	Blankenship	D679,738	S *	4/2013	Segala	D15/144
D357,263	S *	4/1995	Soderholm	8,431,862	B2	4/2013	Kachline	
D357,927	S *	5/1995	Soderholm	8,462,505	B2	6/2013	Nagami et al.	
5,651,595	A	7/1997	Willis	8,476,555	B2	7/2013	Diedrick et al.	
5,805,402	A	9/1998	Maue et al.	8,530,777	B2	9/2013	Silk et al.	
5,816,466	A	10/1998	Seufer	8,607,607	B1	12/2013	Sanderson et al.	
5,824,983	A	10/1998	Huddleston, Jr.	D697,099	S *	1/2014	Berengut	D15/144
5,899,420	A	5/1999	Gerardi	8,642,922	B2	2/2014	Flattinger et al.	
6,051,808	A	4/2000	Kleppen	8,729,422	B2	5/2014	Bornemann	
6,129,568	A	10/2000	Mercurio et al.	8,754,348	B2	6/2014	Salsich et al.	
D434,428	S	11/2000	Krieck	8,809,741	B2	8/2014	Feldhausen et al.	
6,176,716	B1	1/2001	Mercurio et al.	8,847,116	B2	9/2014	Lynaugh et al.	
D437,825	S *	2/2001	Imai	8,853,588	B2	10/2014	Mao et al.	
6,285,003	B1	9/2001	Kleppen et al.	8,895,895	B2	11/2014	Feldhausen et al.	
6,378,719	B1	4/2002	Kaiser	8,937,265	B2	1/2015	Feldhausen et al.	
6,388,234	B1	5/2002	Collins et al.	8,937,266	B2	1/2015	Feldhausen et al.	
6,396,019	B1	5/2002	Williams	8,948,438	B2	2/2015	Hatton et al.	
6,406,313	B1	6/2002	Victor	D727,986	S	4/2015	Matiash et al.	
6,531,673	B2	3/2003	Fedorcak	9,000,328	B2	4/2015	Helf et al.	
6,644,993	B2	11/2003	Victor	9,012,807	B2	4/2015	Ott et al.	
6,689,983	B2	2/2004	Horner-Richardson et al.	9,102,000	B2	8/2015	Matiash et al.	
6,700,091	B2	3/2004	Jones et al.	D738,944	S	9/2015	Miller	
6,707,000	B2	3/2004	Schneider et al.	9,120,182	B2	9/2015	Bomemann	
6,750,429	B2	6/2004	Bogner et al.	9,144,857	B2	9/2015	Flattinger et al.	
6,781,085	B2	8/2004	Ulrich et al.	D741,385	S *	10/2015	Evans	D15/144
6,786,752	B1	9/2004	Kerekes et al.	9,156,104	B2	10/2015	Diedrick et al.	
6,888,099	B1	5/2005	Schneider	9,162,311	B2	10/2015	Ott	
6,967,304	B2	11/2005	Gevelber et al.	9,162,314	B2	10/2015	Bomemann et al.	
6,969,825	B2	11/2005	Silvestro	9,255,355	B2	2/2016	Bas et al.	
6,977,358	B2	12/2005	Albrecht et al.	D752,665	S *	3/2016	Kindig	D15/144
6,992,262	B2	1/2006	Matus et al.	D752,666	S	3/2016	Ge et al.	
6,992,265	B2	1/2006	Bender et al.	D754,626	S *	4/2016	Evans	D15/144
7,022,936	B2	4/2006	Jones et al.	9,393,637	B2	7/2016	Farah et al.	
7,026,569	B2	4/2006	Halvorsen	9,399,263	B2	7/2016	Bashore et al.	
7,098,425	B2	8/2006	Meckler	9,403,233	B2	8/2016	Pagano et al.	
7,160,156	B2	1/2007	Holliday	9,446,471	B2	9/2016	Hillen et al.	
7,205,503	B2	4/2007	Reynolds et al.	9,457,433	B2	10/2016	Feldhausen et al.	
7,208,698	B2	4/2007	Matiash	9,463,524	B2	10/2016	Garvey	
7,238,918	B2	7/2007	Matiash	9,474,185	B2	10/2016	Jochman	
7,247,814	B2	7/2007	Ott	D772,965	S	11/2016	Westlake et al.	
7,259,355	B2	8/2007	Bender et al.	9,486,873	B2	11/2016	Kleppen et al.	
7,285,746	B2	10/2007	Matiash	9,510,436	B2	11/2016	Borowy et al.	
7,293,748	B1	11/2007	Hoser	9,511,442	B2	12/2016	Panelli	
D569,884	S	5/2008	Shu	9,511,444	B2	12/2016	Marschke et al.	
7,374,074	B2	5/2008	Matiash	9,517,525	B2	12/2016	Peterson et al.	
7,375,303	B2	5/2008	Twarog	D777,231	S	1/2017	Ide et al.	
7,389,900	B2	6/2008	Matiash	D778,331	S	2/2017	Ide et al.	
7,390,989	B2	6/2008	Matiash et al.	9,589,481	B2	3/2017	Becker et al.	
7,411,153	B2	8/2008	Radtke	D783,069	S	4/2017	Fujii	
7,429,715	B2	9/2008	MacKenzie et al.	D783,070	S	4/2017	Fujii	
7,455,373	B2	11/2008	Bender et al.	9,623,510	B2	4/2017	Rozmarynowski et al.	
D590,852	S	4/2009	Killion	9,644,343	B2	5/2017	Herzberg et al.	
7,531,768	B2	5/2009	Matiash	9,666,388	B2	5/2017	Weaver et al.	
D594,819	S *	6/2009	Yamamoto	9,713,853	B1	7/2017	Kachline	
7,582,844	B2	9/2009	Horner-Richardson et al.	D796,564	S	9/2017	Kachline	
7,615,723	B2	11/2009	Matiash	9,770,776	B2	9/2017	Farah et al.	
7,642,487	B2	1/2010	Silvestro	9,821,413	B2	11/2017	Feldhausen et al.	
D611,074	S	3/2010	Bashore et al.	D810,161	S *	2/2018	Snead	D15/144
7,791,682	B2	9/2010	Jang et al.	D811,456	S *	2/2018	Dekker	D15/144
7,800,901	B2	9/2010	Borowy et al.	9,895,762	B2	2/2018	Kachline	
7,807,937	B2	10/2010	Schneider	9,902,008	B2	2/2018	Rappl et al.	
D626,576	S *	11/2010	Gramatyka	D813,161	S *	3/2018	Ortakales	D13/110
7,884,304	B2	2/2011	Brietbach	9,925,614	B2	3/2018	Albrecht	
7,948,765	B2	5/2011	Schroetlin	9,931,708	B2	4/2018	Salsich et al.	
7,999,209	B2	8/2011	Diekmann et al.	9,943,925	B2	4/2018	Denis	
D653,271	S	1/2012	Kindig	9,963,289	B2	5/2018	Hudak et al.	
D654,519	S *	2/2012	Wujczak	9,969,024	B2	5/2018	Denis	
8,188,405	B2	5/2012	Martin et al.	D821,463	S *	6/2018	Lin	D15/144
8,223,246	B2	7/2012	Moon	D821,465	S *	6/2018	Lin	D15/144
				D821,466	S *	6/2018	Lin	D15/144
				D824,439	S	7/2018	Ide et al.	
				10,041,989	B2	8/2018	Onishi	
				10,046,411	B2	8/2018	Dessart et al.	

(56)

References Cited

U.S. PATENT DOCUMENTS

D827,687 S * 9/2018 Lin D15/144
 D829,788 S * 10/2018 Lin D15/144
 D829,789 S 10/2018 Inoue et al.
 D836,146 S * 12/2018 Lin D15/144
 D839,328 S * 1/2019 Lin D15/144
 D849,809 S * 5/2019 Hruska D15/144
 D854,593 S * 7/2019 Shu D15/144
 D855,092 S * 7/2019 Shu D15/144
 10,391,580 B2 * 8/2019 Dessart B65H 75/366
 D862,544 S * 10/2019 Lin D15/144
 D862,545 S * 10/2019 Lin D15/144
 D868,126 S * 11/2019 Shu D15/144
 D870,043 S * 12/2019 Xu D13/110
 2004/0228113 A1 11/2004 Wang
 2006/0073272 A1 4/2006 Carel
 2006/0207981 A1 9/2006 Diekmann et al.
 2006/0278626 A1 12/2006 Christopher et al.
 2007/0000896 A1 1/2007 Meckler
 2008/0156925 A1 7/2008 Cooper
 2008/0203075 A1 8/2008 Feldhausen et al.
 2010/0072317 A1 3/2010 Cooper
 2011/0025660 A1 2/2011 Song et al.
 2011/0114613 A1 5/2011 Ihde et al.
 2011/0220616 A1 9/2011 Mehn et al.
 2012/0184191 A1 7/2012 Schulze
 2012/0292325 A1 11/2012 Enyedy et al.
 2012/0298630 A1 11/2012 Stoutamire
 2013/0001210 A1 1/2013 Pagano et al.
 2013/0240496 A1 9/2013 Kinder et al.
 2013/0264319 A1 10/2013 Temby et al.
 2013/0285735 A1 10/2013 Snider et al.

2014/0263256 A1 9/2014 Rappl et al.
 2016/0001391 A1 1/2016 Nacey et al.
 2016/0045971 A1 2/2016 Holverson
 2016/0046077 A1 2/2016 Yadroitsau
 2016/0129516 A1 5/2016 Hoeger et al.
 2016/0129524 A1 5/2016 Evans et al.
 2016/0158869 A1 6/2016 Trinnes et al.
 2016/0175971 A1 6/2016 Denis
 2016/0175974 A1 6/2016 Denis
 2016/0193681 A1 7/2016 Pesme et al.
 2017/0120366 A1 5/2017 Zucker et al.
 2017/0129035 A1 5/2017 Westlake et al.
 2017/0282307 A1 10/2017 Rizzo
 2017/0312863 A1 11/2017 Melius et al.
 2018/0043456 A1 2/2018 Hoeger et al.
 2018/0056788 A1 3/2018 Boron et al.

FOREIGN PATENT DOCUMENTS

CN 206912439 U 1/2018
 DE 19513458 A1 10/1996
 DE 102006027774 A1 12/2007
 EP 1978535 B1 12/2011
 EP 2012334 B1 11/2013
 EP 3048866 A1 7/2016
 GB 1363226 A 8/1974
 HU 9902400 A2 5/2001
 JP 5302061 B2 10/2013
 WO 9821727 A1 5/1998
 WO 2012058676 A2 5/2012
 WO 2014185396 A1 11/2014
 WO 2015178983 A1 11/2015

* cited by examiner

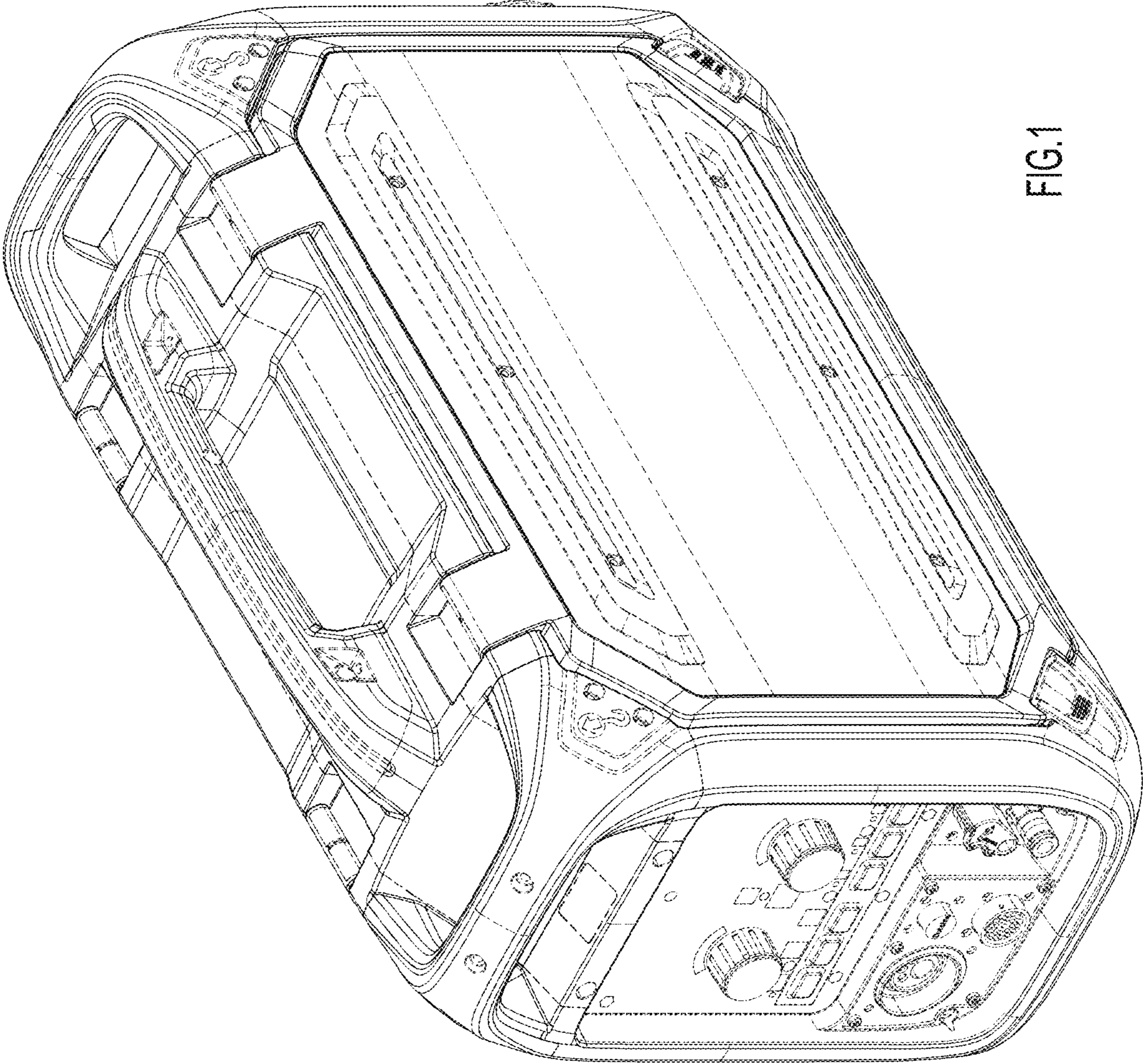


FIG.1

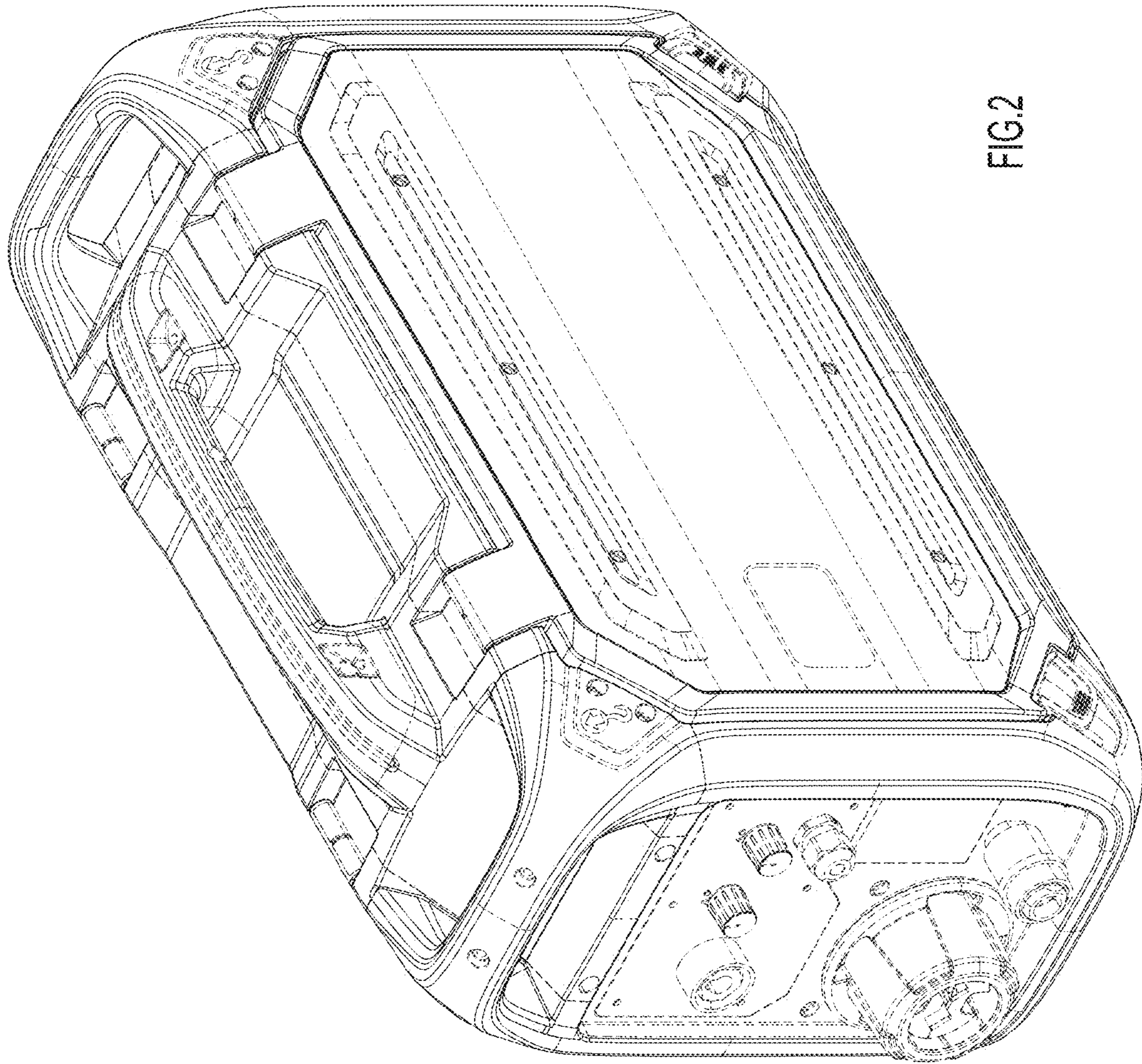


FIG.2

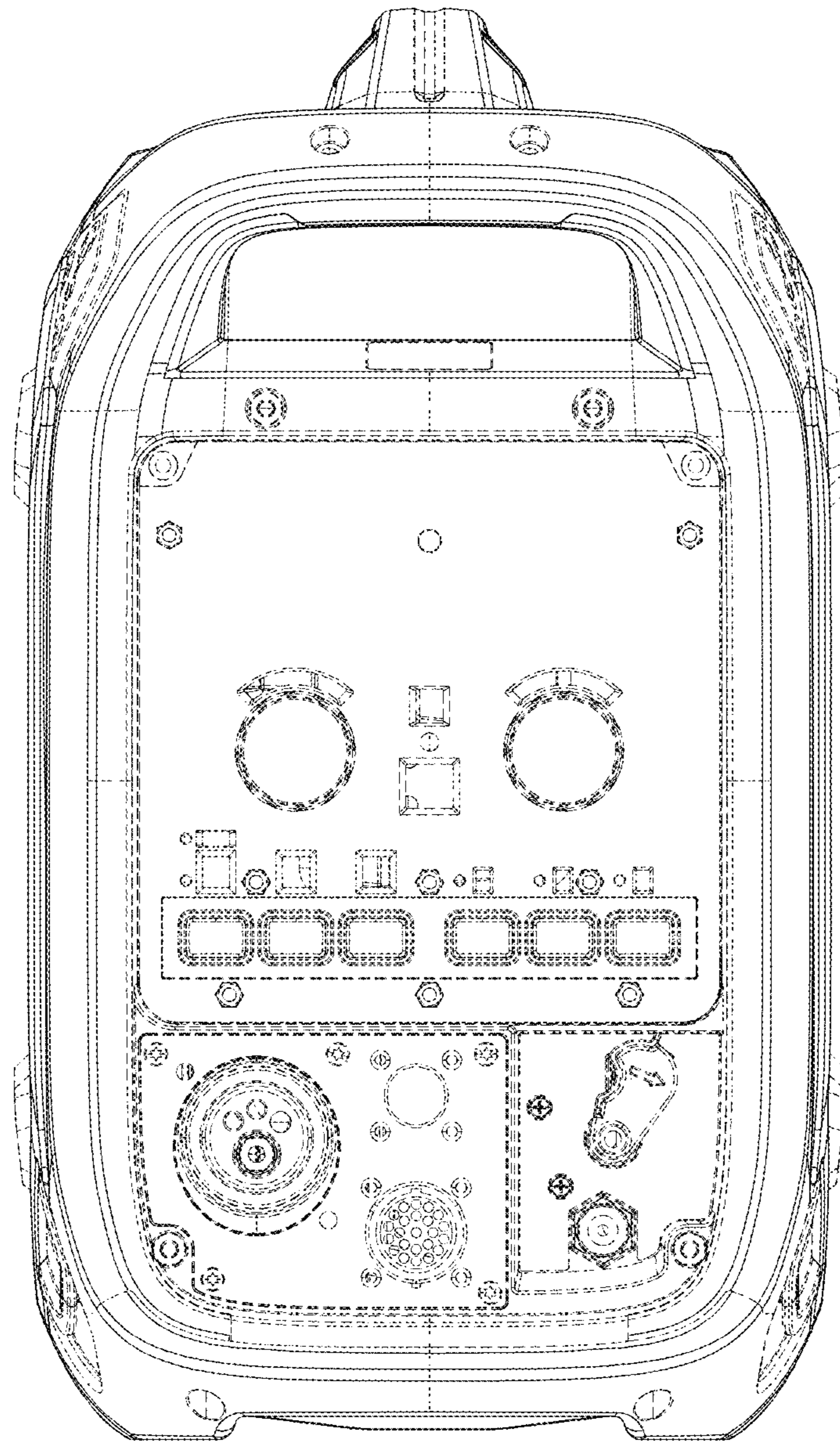


FIG.3

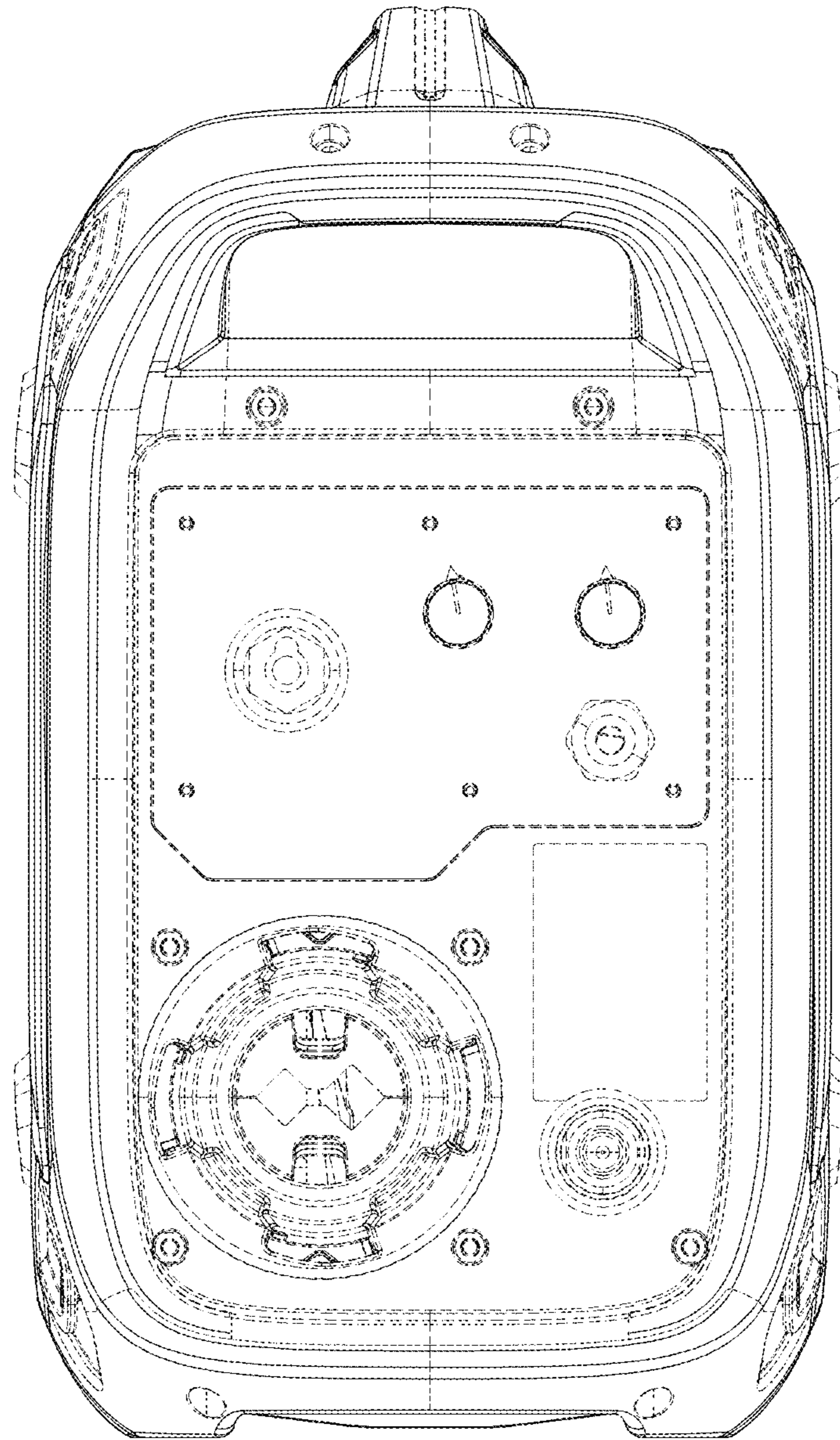


FIG.4

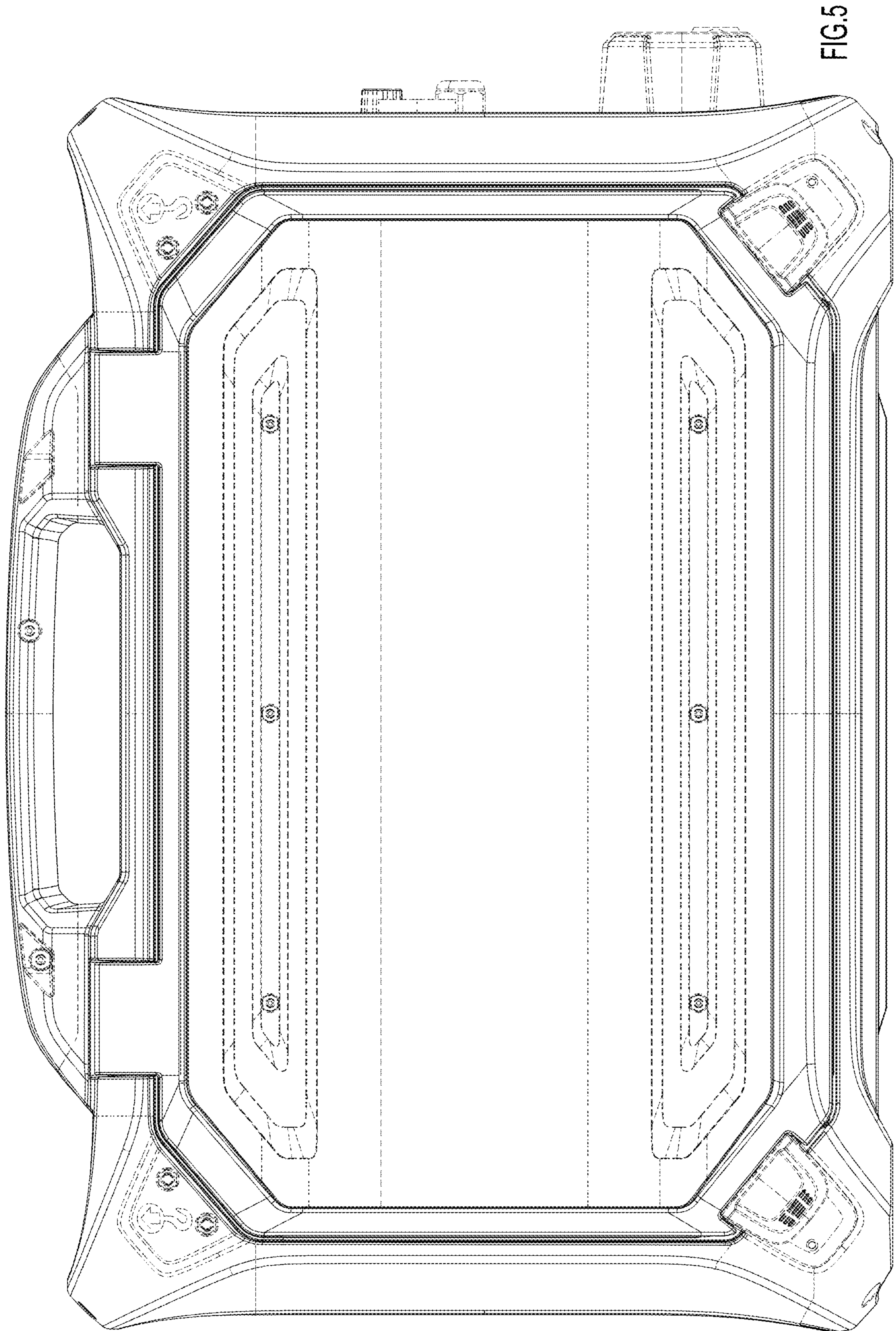


FIG. 5

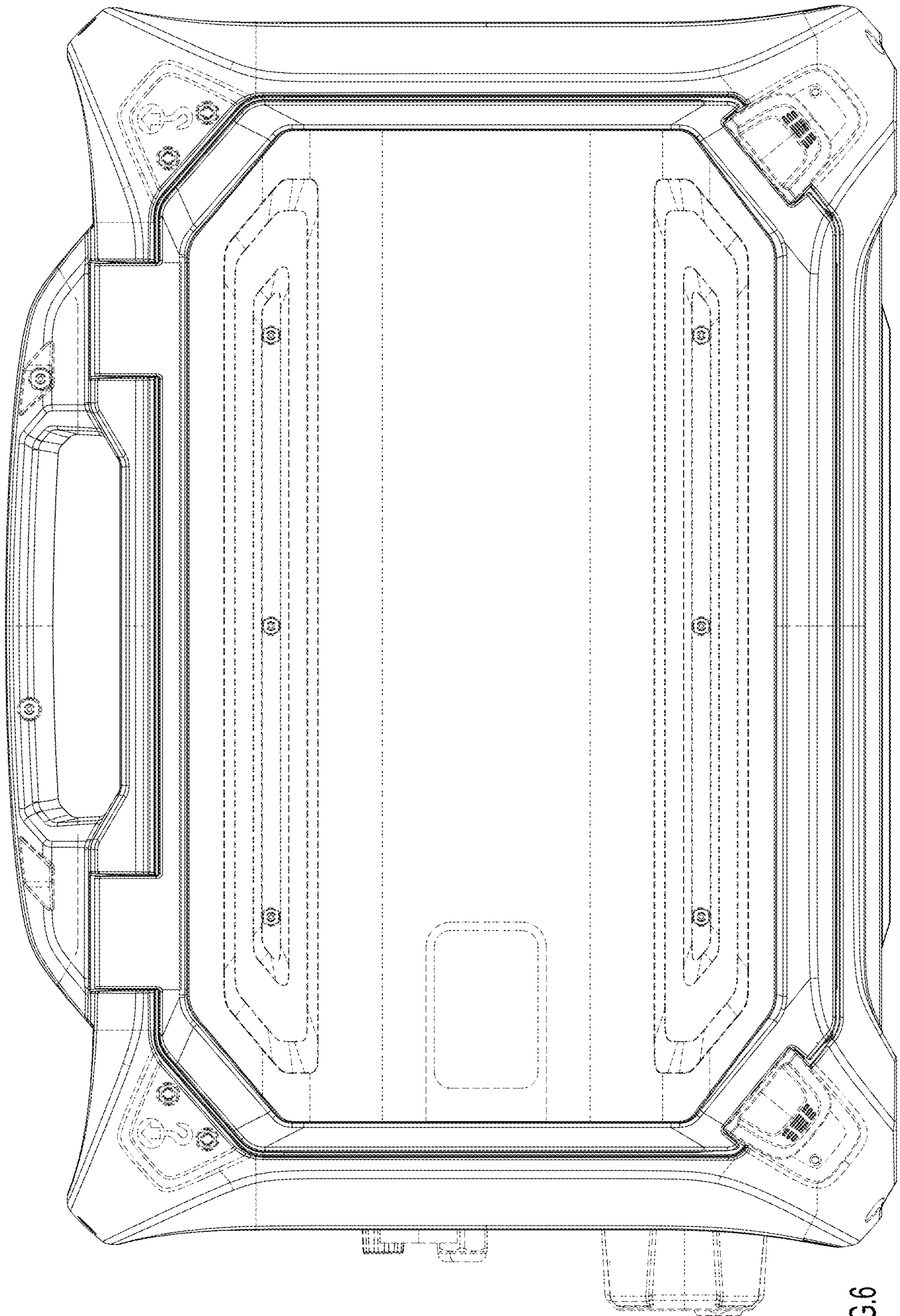


FIG.6

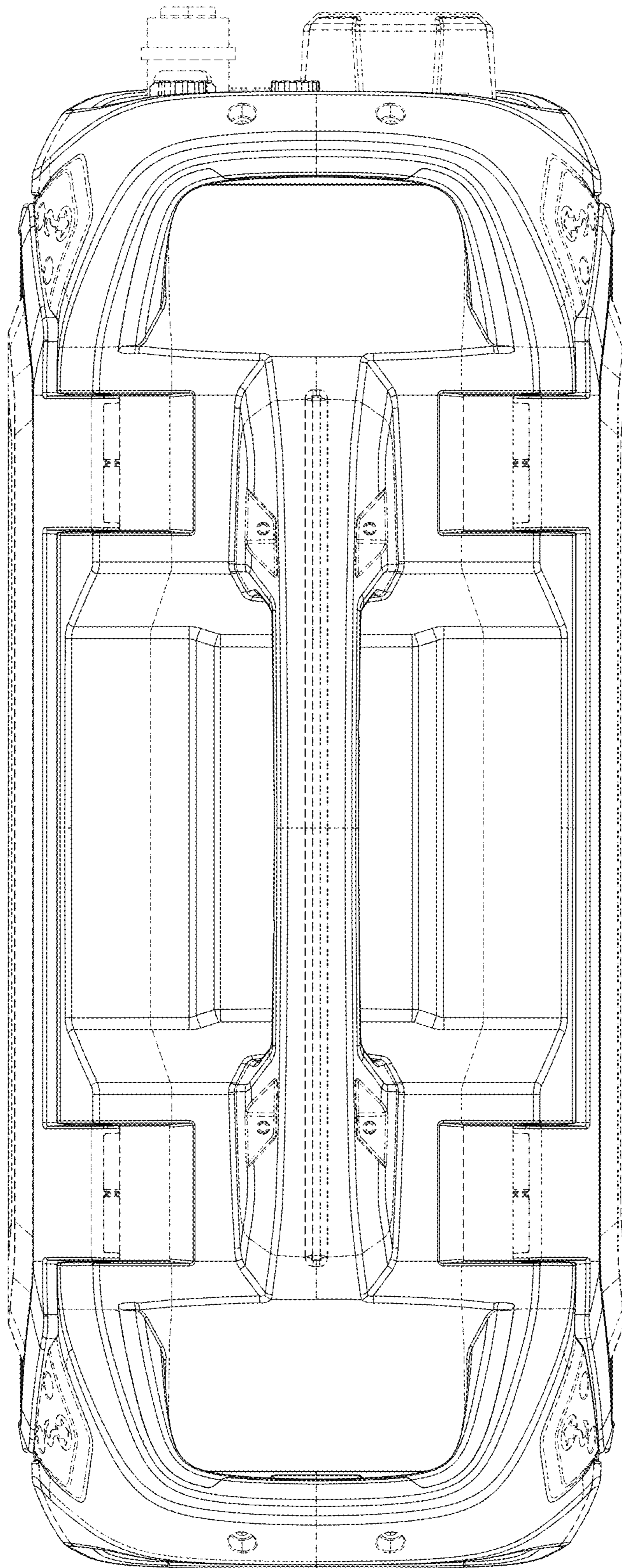


FIG.7

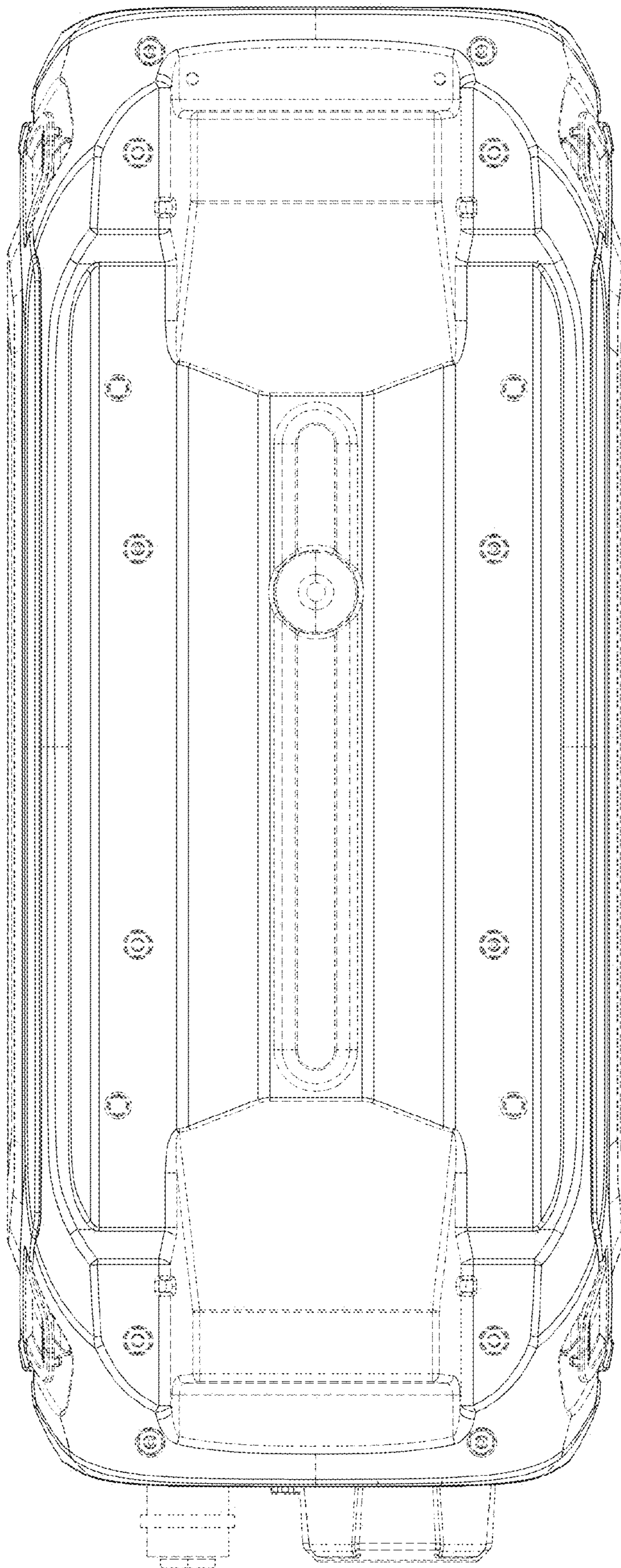


FIG.8