



US00D914070S

(12) **United States Design Patent** (10) **Patent No.:** **US D914,070 S**  
**Dunaway et al.** (45) **Date of Patent:** **\*\* Mar. 23, 2021**

(54) **CUTTING TOOL**

FOREIGN PATENT DOCUMENTS

(71) Applicants: **US Synthetic Corporation**, Orem, UT (US); **Ulterra Drilling Technologies L.P.**, Fort Worth, TX (US)

WO 2019128956 A1 7/2019

OTHER PUBLICATIONS

(72) Inventors: **Tyler Scott Dunaway**, Pleasant Grove, UT (US); **Greg Carlos Topham**, Spanish Fork, UT (US); **William Henry Dubose**, Irving, TX (US); **Josh Criswell**, Carrollton, TX (US)

Notice of Allowance for U.S. Appl. No. 29/626,328 dated Aug. 8, 2019.

(Continued)

*Primary Examiner* — Patricia A Palasik

(74) *Attorney, Agent, or Firm* — Dorsey & Whitney LLP

(73) Assignee: **US SYNTHETIC CORPORATION**, Orem, UT (US)

(57) **CLAIM**

(\*\*) Term: **15 Years**

The ornamental design for a cutting tool, as shown and described.

(21) Appl. No.: **29/723,822**

(22) Filed: **Feb. 11, 2020**

**DESCRIPTION**

**Related U.S. Application Data**

(62) Division of application No. 29/626,328, filed on Nov. 16, 2017, now Pat. No. Des. 878,436.

(51) **LOC (13) Cl.** ..... **15-09**

(52) **U.S. Cl.**  
USPC ..... **D15/139**

(58) **Field of Classification Search**  
USPC ..... D8/20, 70; D15/126, 131, 138, 139, 140  
CPC ..... B23C 5/109; B23C 5/207  
See application file for complete search history.

FIG. 1 is a perspective view of a cutting tool, according to a first embodiment;

FIG. 2 is a top plan view of the cutting tool shown in FIG. 1;

FIG. 3 is a side elevational view of the cutting tool shown in FIG. 1;

FIG. 4 is a side elevational view of the cutting tool rotated 180° relative to the side elevational view of FIG. 3;

FIG. 5 is a side elevational view of the cutting tool rotated 90° angle relative to the side elevational view of FIG. 3; and,

FIG. 6 is a side elevational view of the cutting tool rotated 180° relative to the side elevational view of FIG. 5.

The broken away symbols in the drawings indicate that any portion of the article beyond what is shown forms no part of the claimed design.

The broken lines in the drawings depict portions of the cutting insert which form no part of the claimed design.

The bottom view of the cutting tool does not form part of the claimed design.

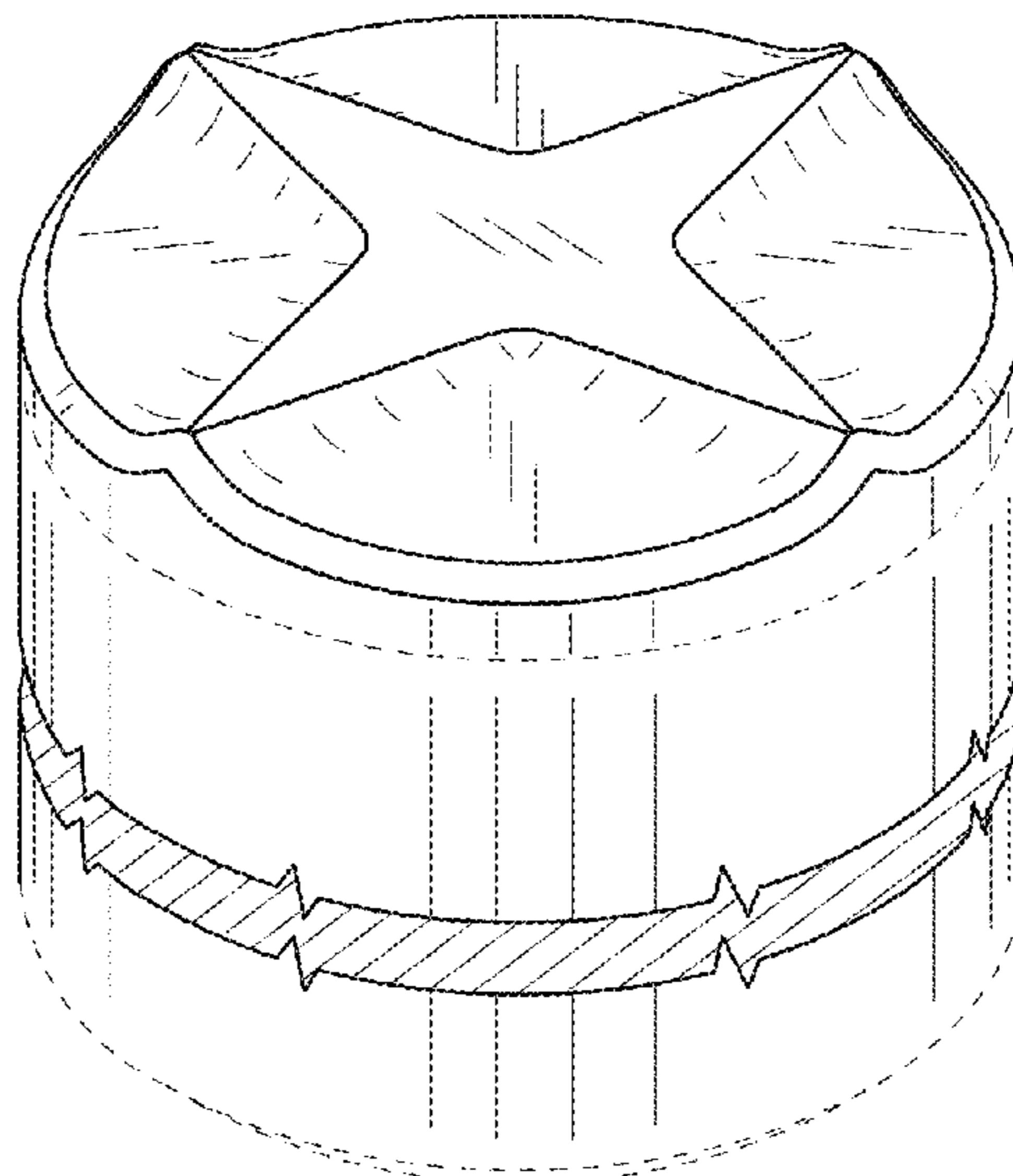
(56) **References Cited**

**U.S. PATENT DOCUMENTS**

4,830,548 A	5/1989	Kandarian
D347,012 S	5/1994	Huston et al.
D570,384 S	6/2008	Morozov
D581,958 S	12/2008	Morozov
D587,732 S	3/2009	Morozov
D594,486 S	6/2009	Morozov

(Continued)

**1 Claim, 3 Drawing Sheets**



(56)

**References Cited**

U.S. PATENT DOCUMENTS

9,103,174 B2 8/2015 DiGiovanni  
9,598,909 B2 3/2017 Patel  
D835,163 S 12/2018 Mortensen et al.  
D878,436 S \* 3/2020 Dunaway ..... D15/139

OTHER PUBLICATIONS

Notice of Allowance for U.S. Appl. No. 29/626,328 dated Nov. 14, 2019.

Restriction Requirement for U.S. Appl. No. 29/626,328 dated May 15, 2019.

Issue Notification for U.S. Appl. No. 29/626,328 dated Feb. 27, 2020.

Non-Final Office Action for U.S. Appl. No. 29/723,823 dated Jun. 8, 2020.

Notice of Allowance for U.S. Appl. No. 29/723,823 dated Sep. 22, 2020.

\* cited by examiner

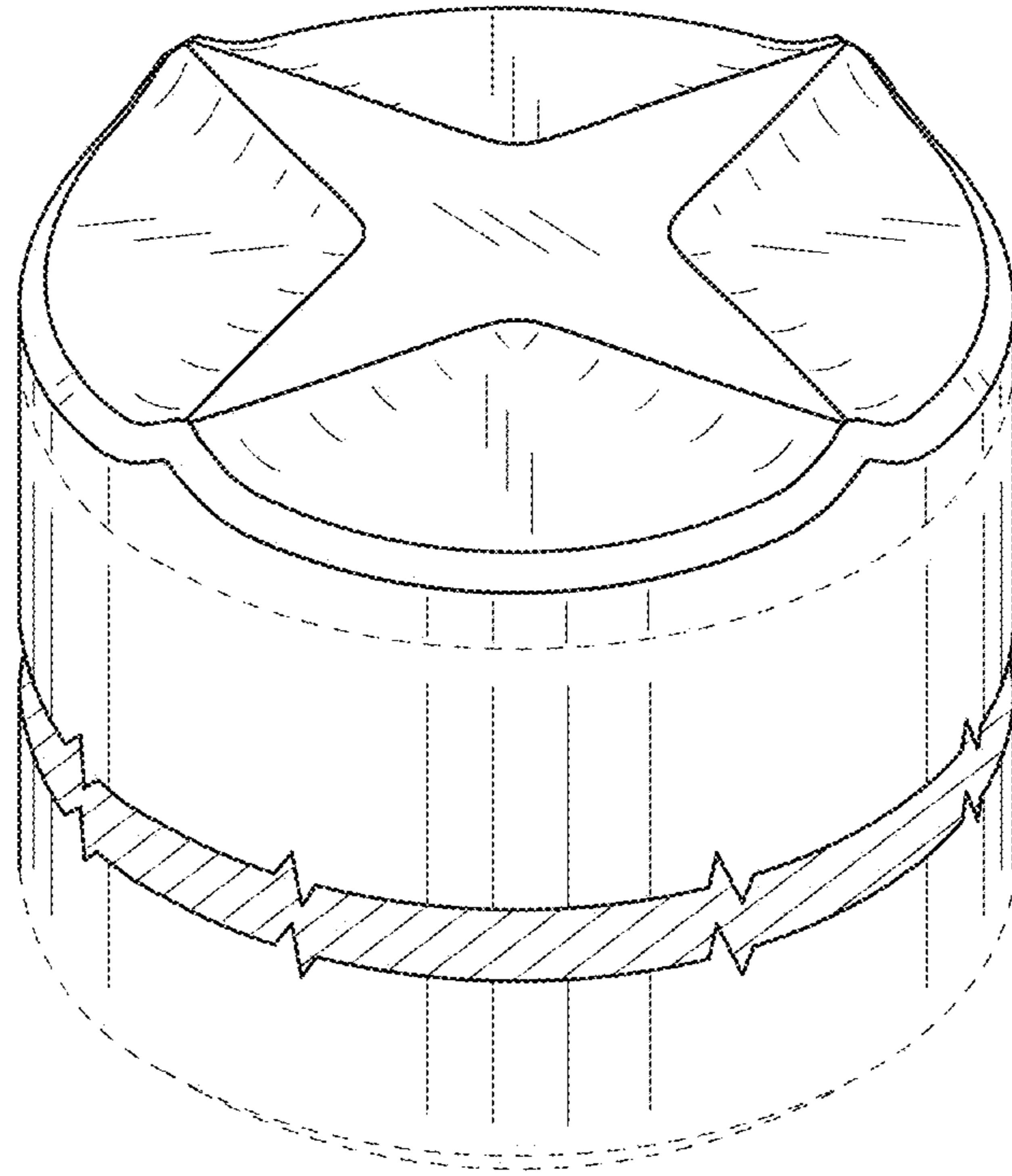


FIG. 1

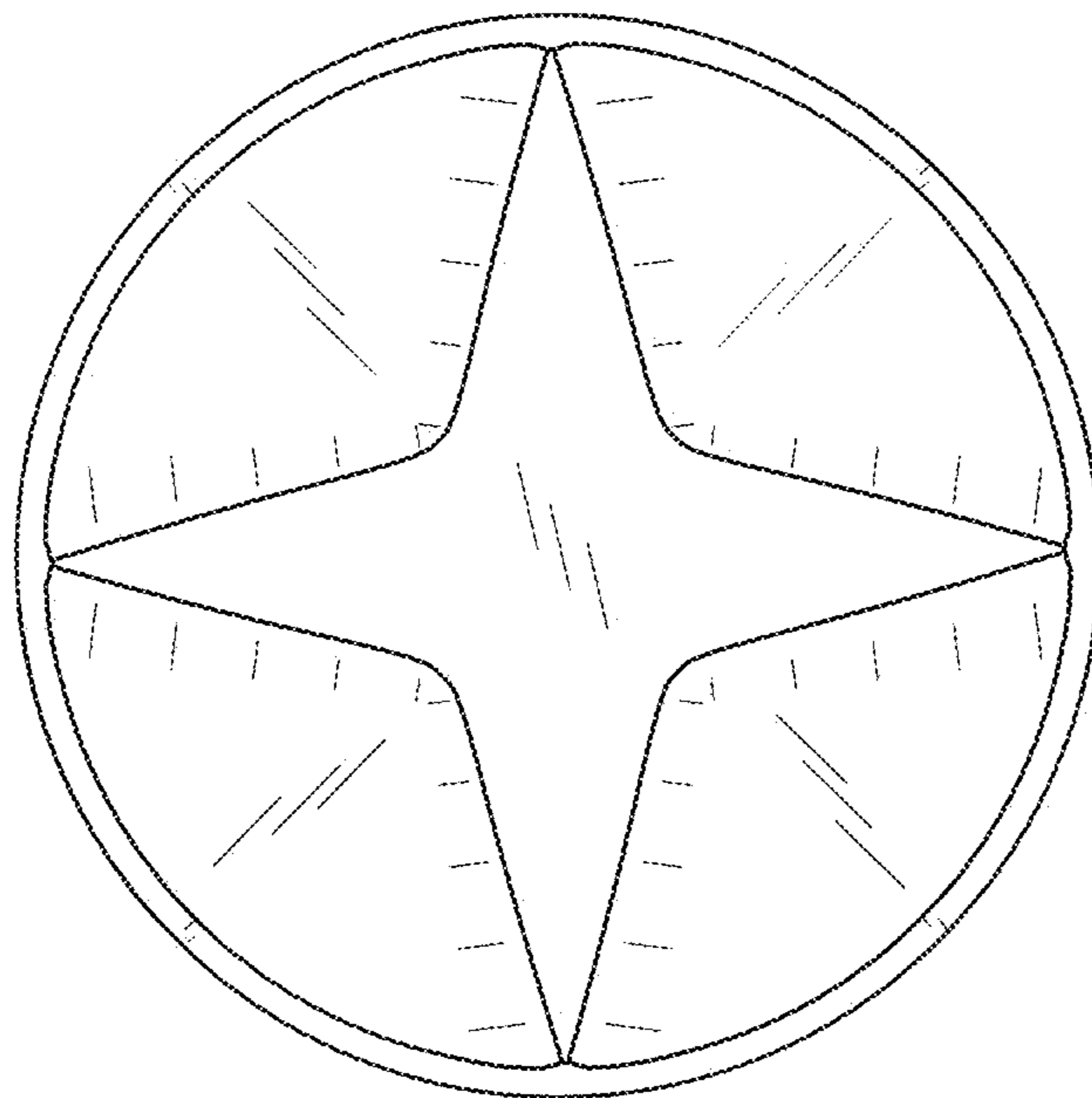


FIG. 2

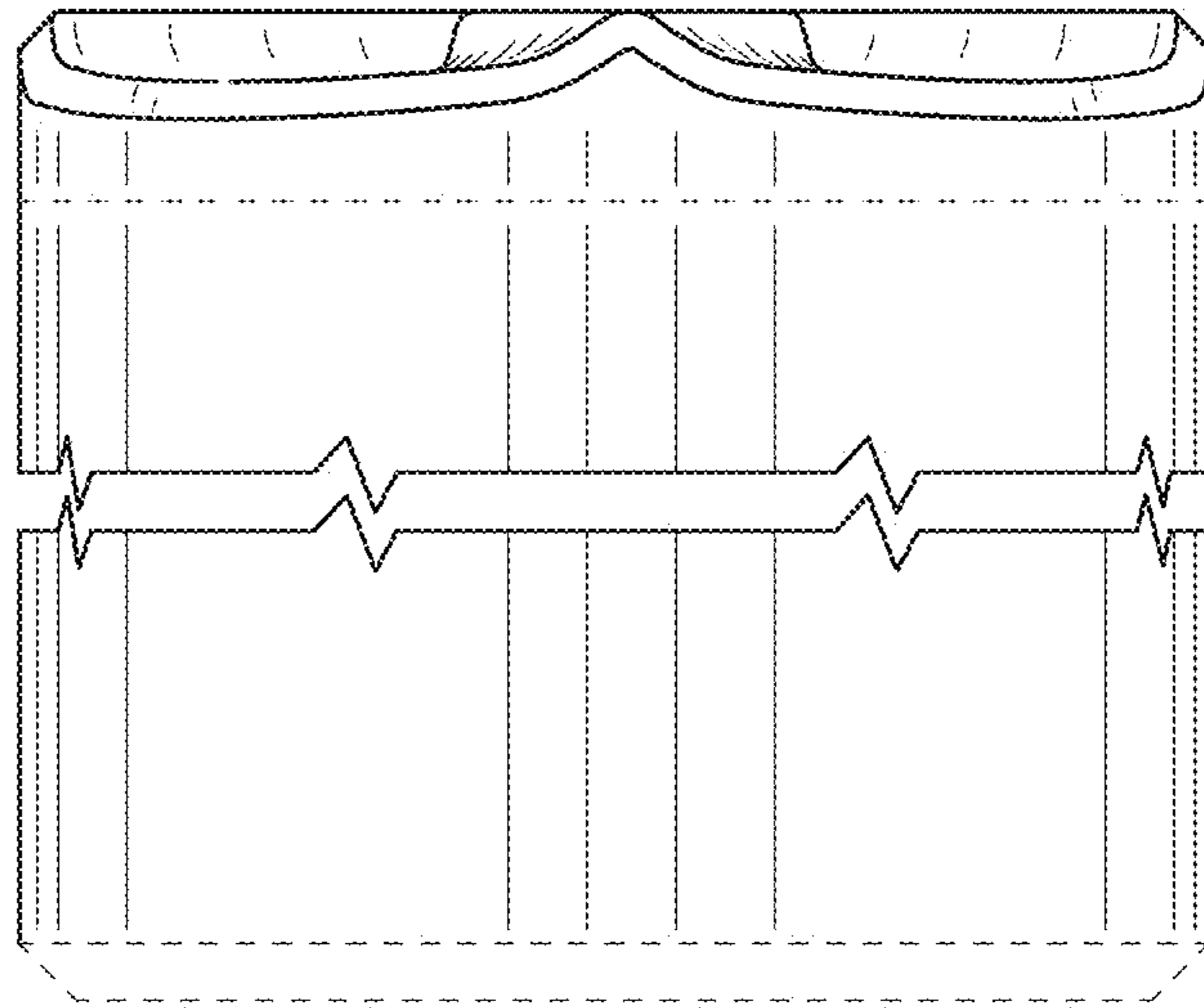


FIG. 3

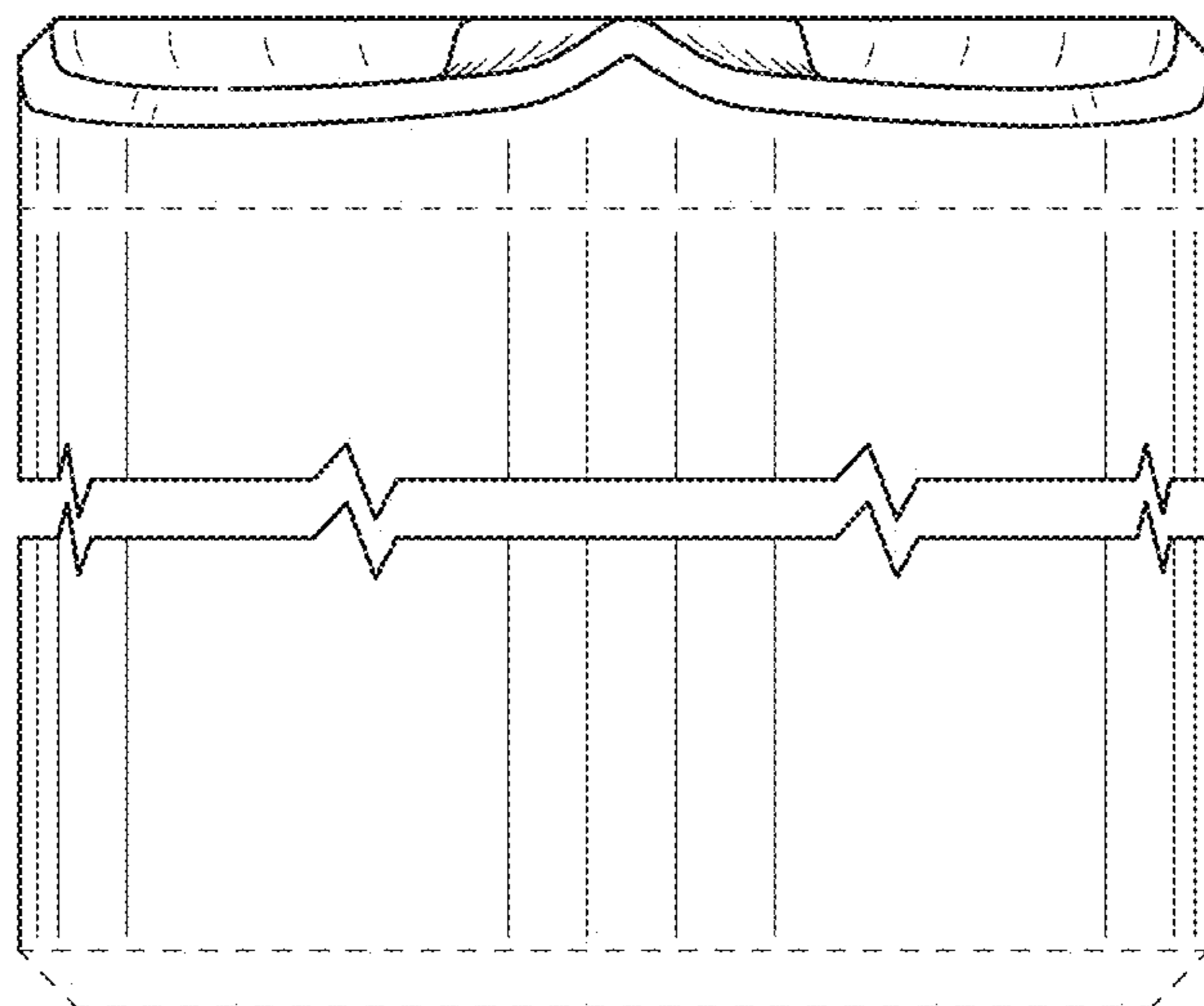


FIG. 4

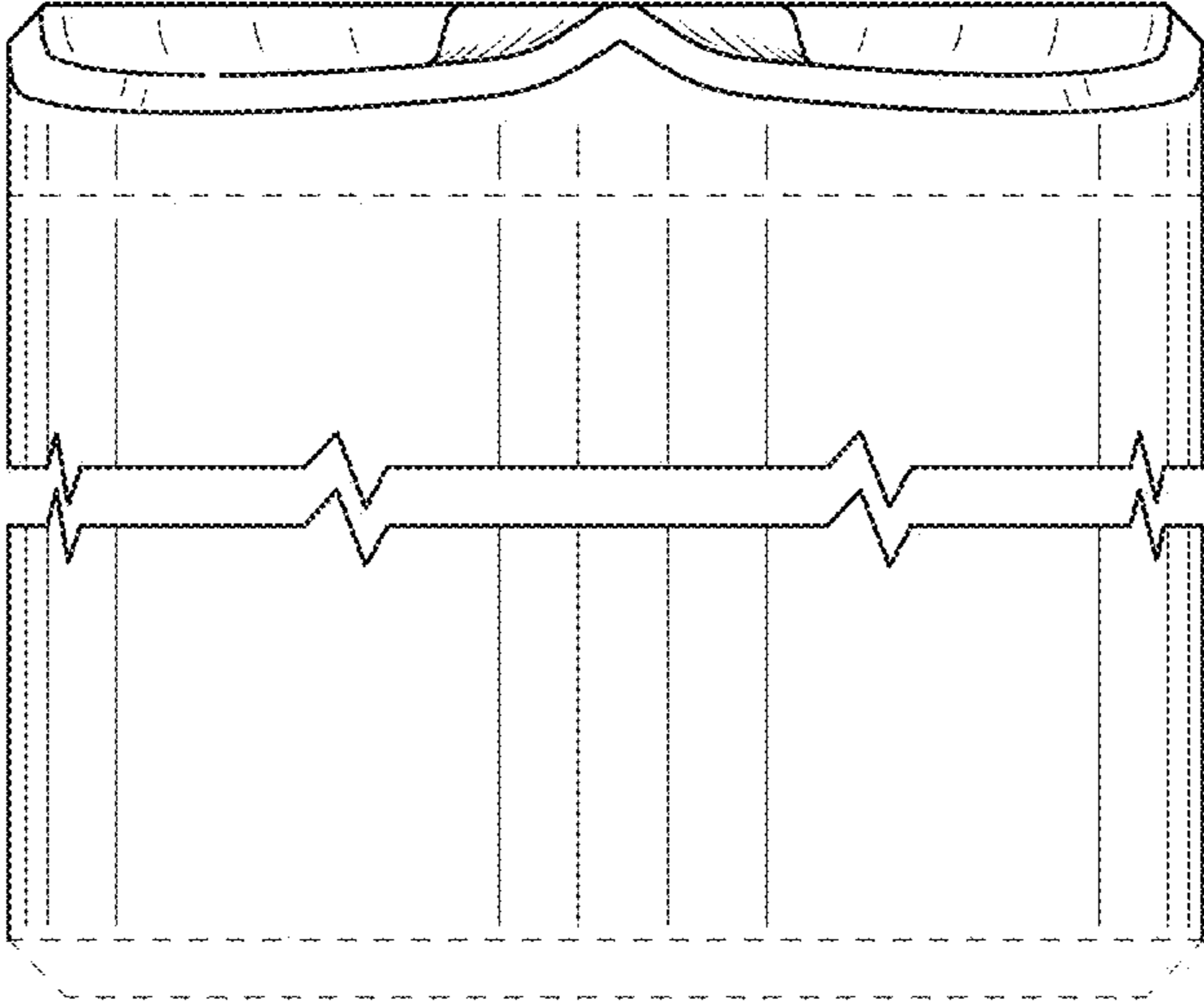


FIG. 5

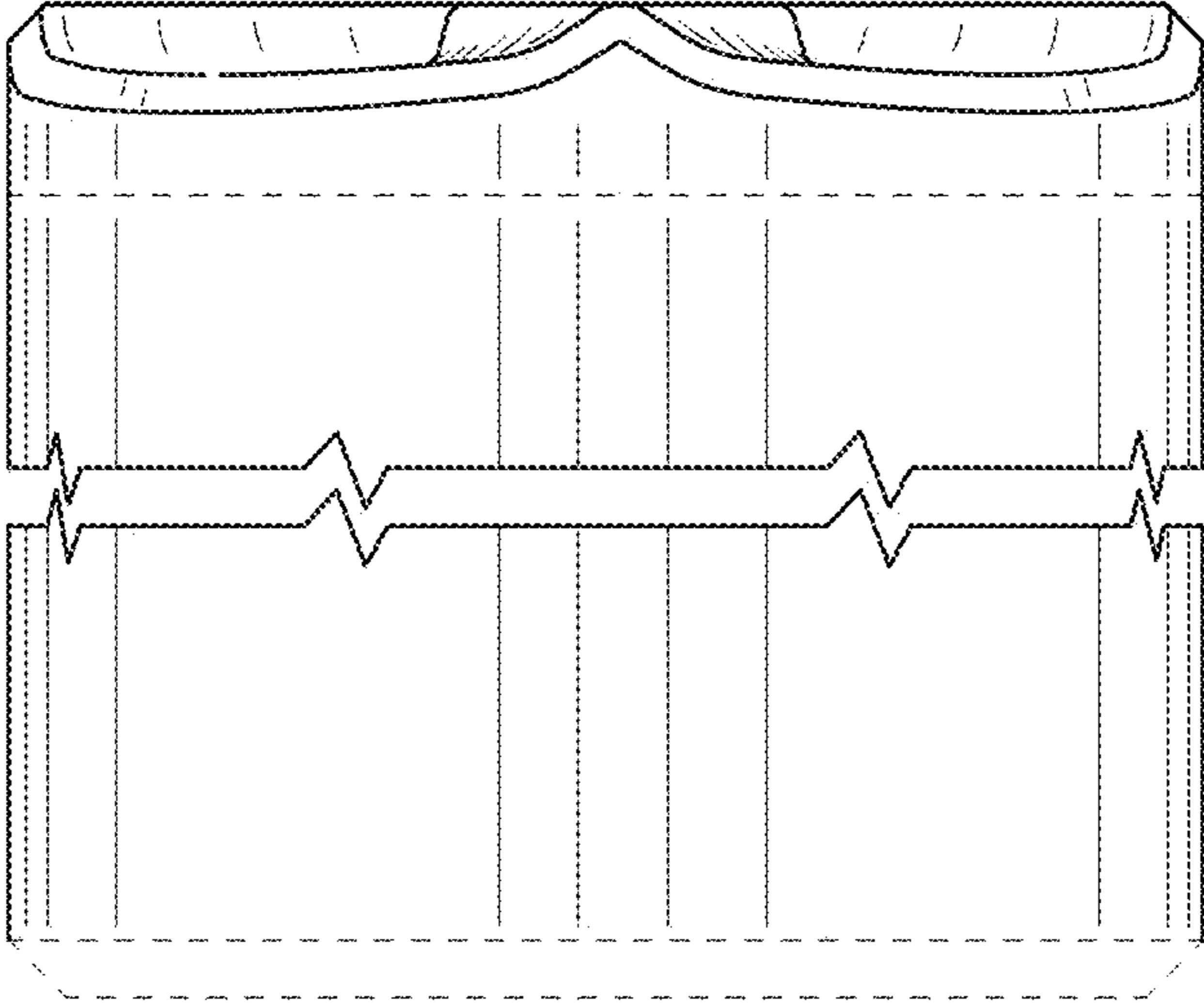


FIG. 6