



US00D914069S

(12) **United States Design Patent** (10) **Patent No.:** **US D914,069 S**
Dresang et al. (45) **Date of Patent:** **** Mar. 23, 2021**

(54) **HOSE SWAGING MACHINE CART**
(71) Applicants: **Piranha Hose Products, Inc.**, Cadillac, MI (US); **UEMSI/HTV, Inc.**, Jackson, WI (US)
(72) Inventors: **Richard D. Dresang**, Jackson, WI (US); **Daniel M. Olson**, Jackson, WI (US); **Bernard M. Hengels**, Jackson, WI (US); **Kevin J. Witt**, Jackson, WI (US); **Jack V. Roberts**, Jackson, WI (US); **Charles S. Duginski**, Jackson, WI (US); **Brian Robert Blake**, Cadillac, MI (US); **Dean Robert Rohn**, Cadillac, MI (US); **Robert H. Glick**, Jackson, MI (US); **Chad P. Brunink**, Cadillac, MI (US)

(56) **References Cited**
U.S. PATENT DOCUMENTS
1,049,455 A * 1/1913 Clarkson F16B 12/46
403/205
3,373,474 A * 3/1968 Doerer B21D 39/046
29/237
4,034,592 A * 7/1977 Chen B21D 39/046
72/402
4,244,091 A * 1/1981 Kimble B21D 39/046
29/237
4,309,892 A * 1/1982 Currie B21D 39/046
72/402
D280,201 S * 8/1985 Moreiras D15/123
D288,327 S * 2/1987 Proctor 72/413
4,862,725 A * 9/1989 Stiver B21D 39/046
72/402

(Continued)

(**) Term: **15 Years**
(21) Appl. No.: **29/705,133**
(22) Filed: **Sep. 10, 2019**

OTHER PUBLICATIONS
Piranha Hose Products, Inc. A Kuriyama Group Company, PHP110 Ultra Duty Hydraulic Swage Hose Repair Machine Operational Manual, 2016 (Year: 2016).*

(Continued)

Related U.S. Application Data

(62) Division of application No. 15/405,225, filed on Jan. 12, 2017, now abandoned.
(51) **LOC (13) Cl.** **15-09**
(52) **U.S. Cl.**
USPC **D15/123**
(58) **Field of Classification Search**
USPC D15/138, 141, 123, 135, 146; D21/694, D21/692; D8/107, 25, 98
CPC B30B 11/02; B30B 11/04; B30B 15/0041; B30B 15/04; B30B 1/18; B22F 3/03; B28B 3/08; B29C 33/301; B25B 27/10; B25B 27/026; B21D 39/046; B21D 39/048; Y10T 29/53796; Y10T 29/5383; Y10T 29/53909; Y10T 29/53987
See application file for complete search history.

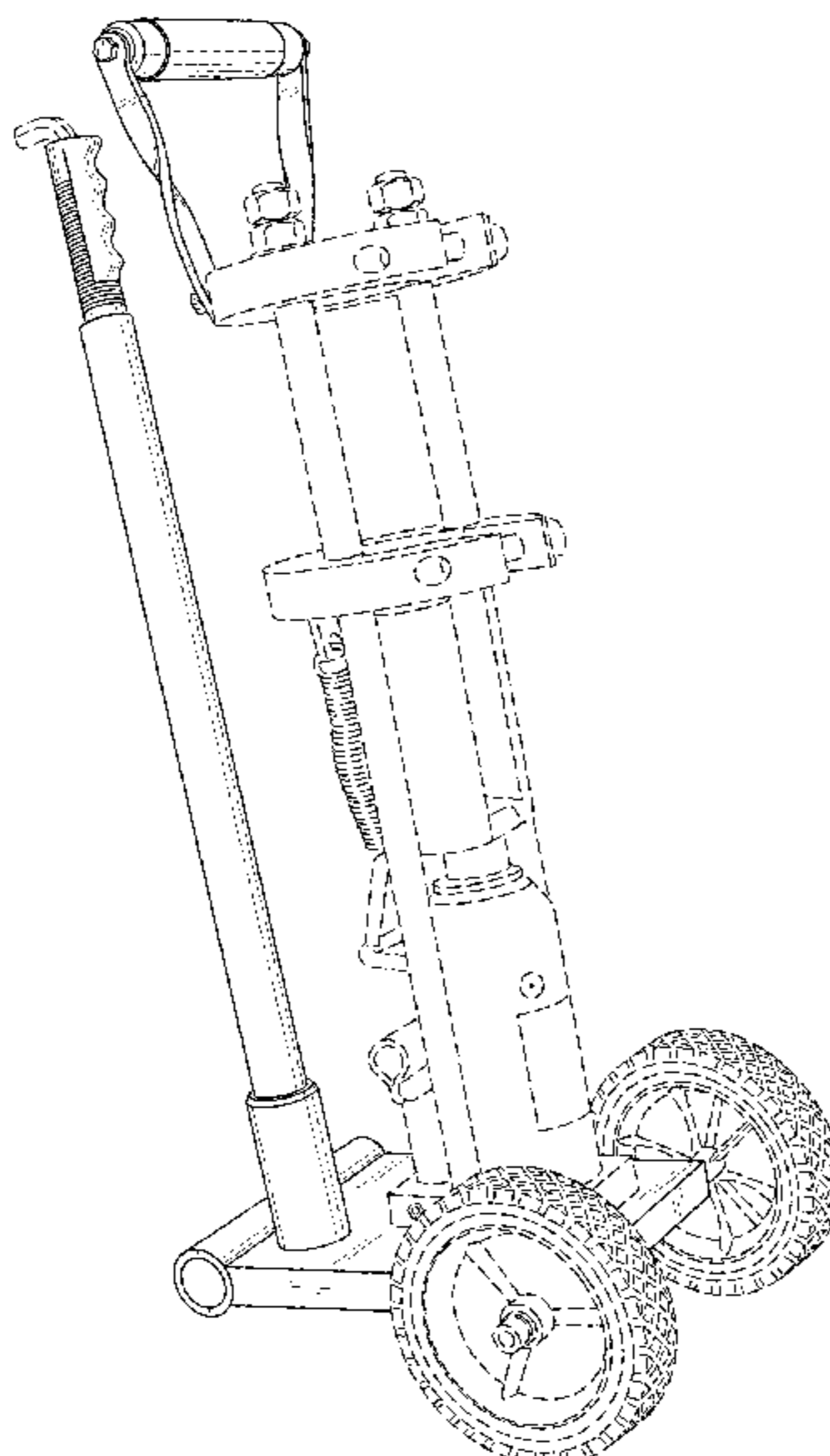
Primary Examiner — Nathaniel D. Buckner
(74) *Attorney, Agent, or Firm* — Donald J. Ersler

(57) **CLAIM**
The ornamental design for a hose swaging machine cart, as shown and described.

DESCRIPTION

FIG. 1 is a perspective view of a hose swaging machine cart showing our new design; and, FIG. 2 is an exploded perspective view thereof. The broken lines in the figures depict portions of the hose swaging machine cart which form no part of the claimed design.

1 Claim, 2 Drawing Sheets



(56)

References Cited

U.S. PATENT DOCUMENTS

4,887,451 A * 12/1989 Hoff B21D 39/046
72/402
5,297,417 A * 3/1994 Orcutt B21D 39/048
72/402
D347,986 S * 6/1994 Booth D8/107
D481,613 S * 11/2003 Macor D8/107
D497,089 S * 10/2004 Huebner D8/51
2003/0196471 A1 * 10/2003 Huebner B25B 27/10
72/402
2018/0193897 A1 * 7/2018 Dresang B21D 39/046

OTHER PUBLICATIONS

Piranha Hose Products, Inc. Hydraulic Swage Hose Repair Machine
Operation Manual, Nov. 12, 2014.

* cited by examiner

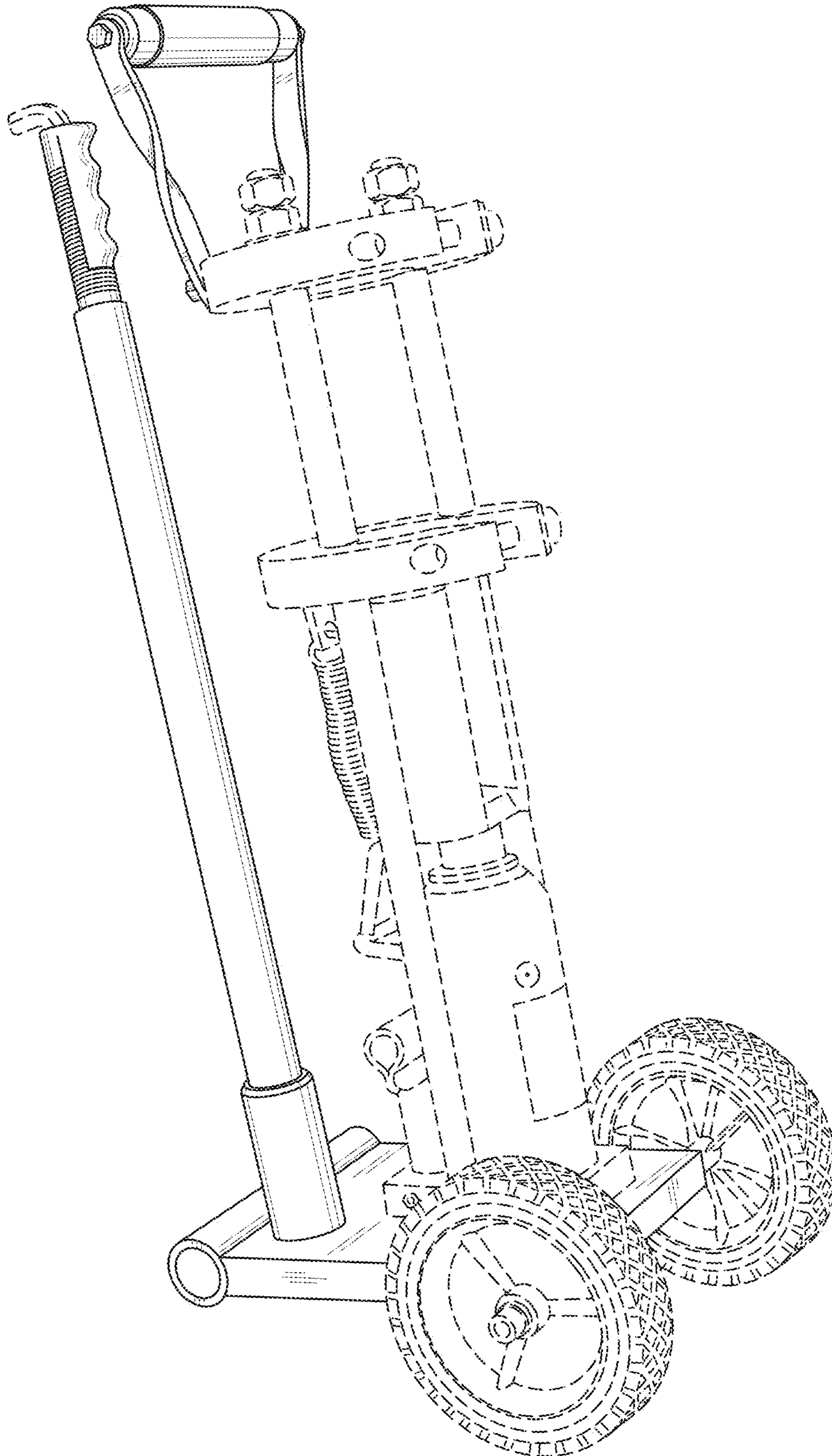


FIG. 1

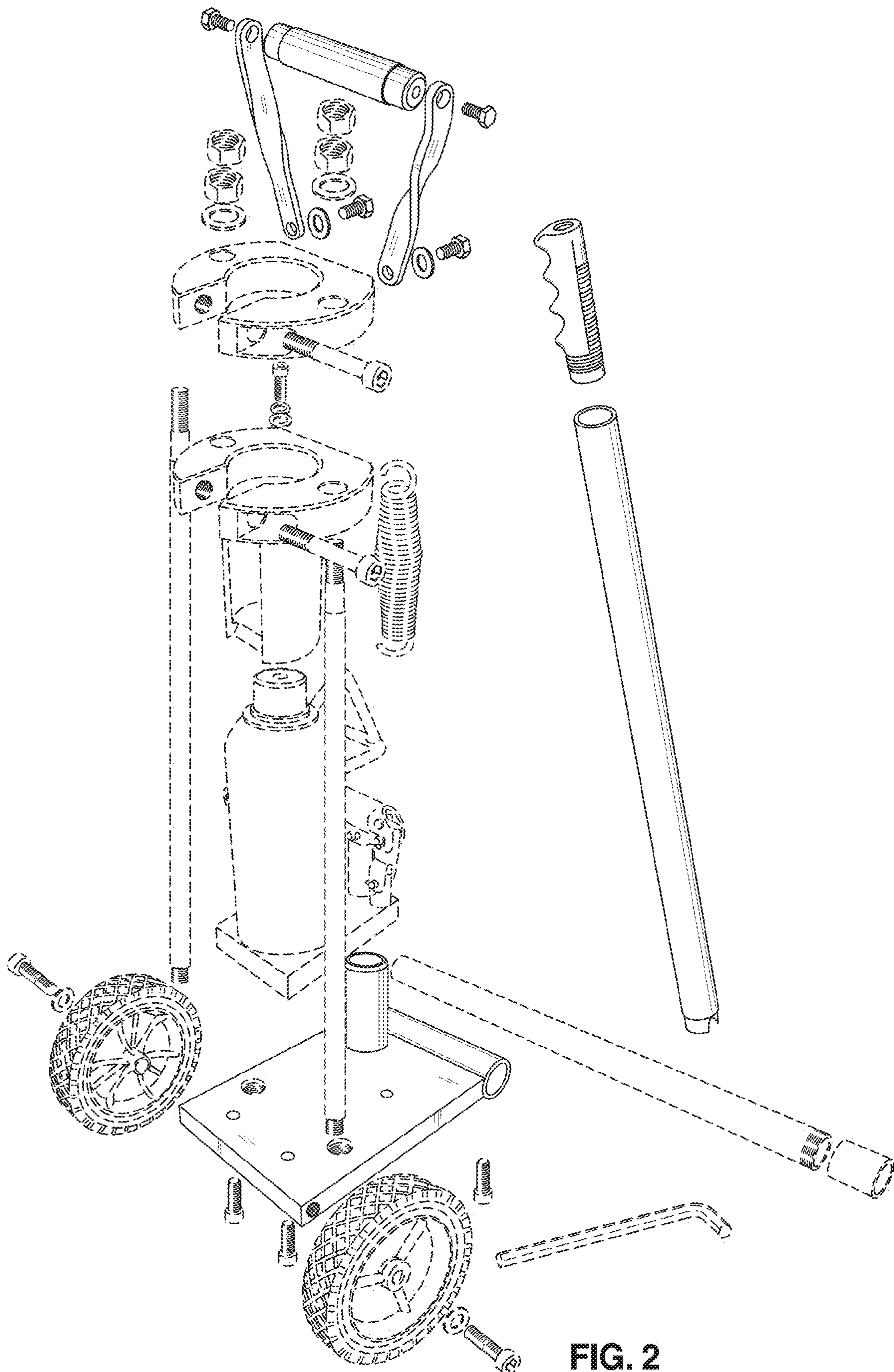


FIG. 2