



US00D914068S

(12) **United States Design Patent**  
**Chen**

(10) **Patent No.:** **US D914,068 S**

(45) **Date of Patent:** **\*\* Mar. 23, 2021**

(54) **ICE CUBE MOULD**

(71) Applicant: **Xilong Chen**, Xianyou County (CN)

(72) Inventor: **Xilong Chen**, Xianyou County (CN)

(\*\*) Term: **15 Years**

(21) Appl. No.: **29/746,665**

(22) Filed: **Aug. 16, 2020**

(51) **LOC (13) Cl.** ..... **15-07**

(52) **U.S. Cl.**  
USPC ..... **D15/90**

(58) **Field of Classification Search**  
USPC ..... D15/79-91

CPC .. F25D 3/08; F25D 11/006; F25D 2303/0845;  
F25D 11/003; F25D 11/025; F25D 16/00;  
F25D 17/042; F25D 2303/0822; F25D  
2303/0832; F25D 2303/0841; F25D  
2303/0843; F25D 2303/0844; F25D  
2317/043; F25D 2331/803; F25D  
2331/804; F25D 2331/805; F25D  
2331/808; F25D 2331/809; F25D  
2331/81; F25D 23/00; F25D 23/06; F25D  
23/12; F25D 2400/10; F25D 2400/16;  
F25D 2400/38; F25D 25/025; F25D  
31/008; F25D 3/06

See application file for complete search history.

(56) **References Cited**

**U.S. PATENT DOCUMENTS**

4,804,083 A \* 2/1989 Weeks ..... F25C 1/243  
206/216  
D586,830 S 2/2009 de Groot

D597,565 S 8/2009 Lion  
D703,704 S 4/2014 EunHa  
D711,438 S \* 8/2014 Garg ..... D15/90  
D711,439 S \* 8/2014 Garg ..... D15/90  
D711,945 S \* 8/2014 Garg ..... D15/90  
D746,343 S \* 12/2015 Mount ..... D15/90  
D803,066 S \* 11/2017 Rudolf ..... D9/569  
D804,543 S \* 12/2017 Carvajal ..... D15/90  
D847,221 S \* 4/2019 Coulombe ..... D15/90  
D861,045 S 9/2019 Sorensen

\* cited by examiner

*Primary Examiner* — Khawaja Anwar

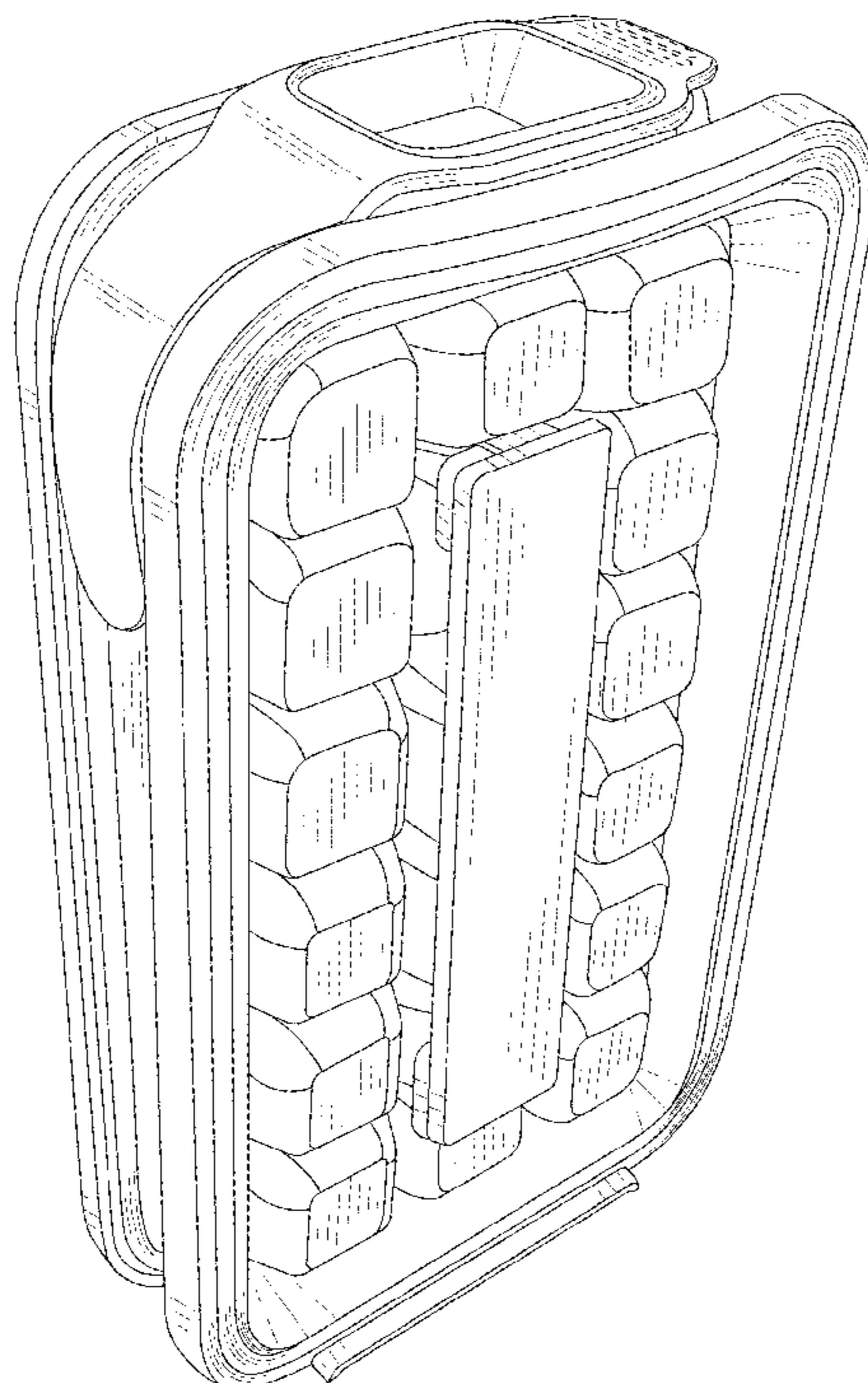
(57) **CLAIM**

The ornamental design for an ice cube mould, as shown and described.

**DESCRIPTION**

FIG. 1 is a perspective view of an ice cube mould showing my new design;  
FIG. 2 is a front elevational view thereof;  
FIG. 3 is a rear elevational view thereof;  
FIG. 4 is a left side elevational view thereof;  
FIG. 5 is a right side elevational view thereof;  
FIG. 6 is a top plan view thereof;  
FIG. 7 is a bottom plan view thereof; and,  
FIG. 8 is another perspective view in separate condition thereof.

**1 Claim, 8 Drawing Sheets**



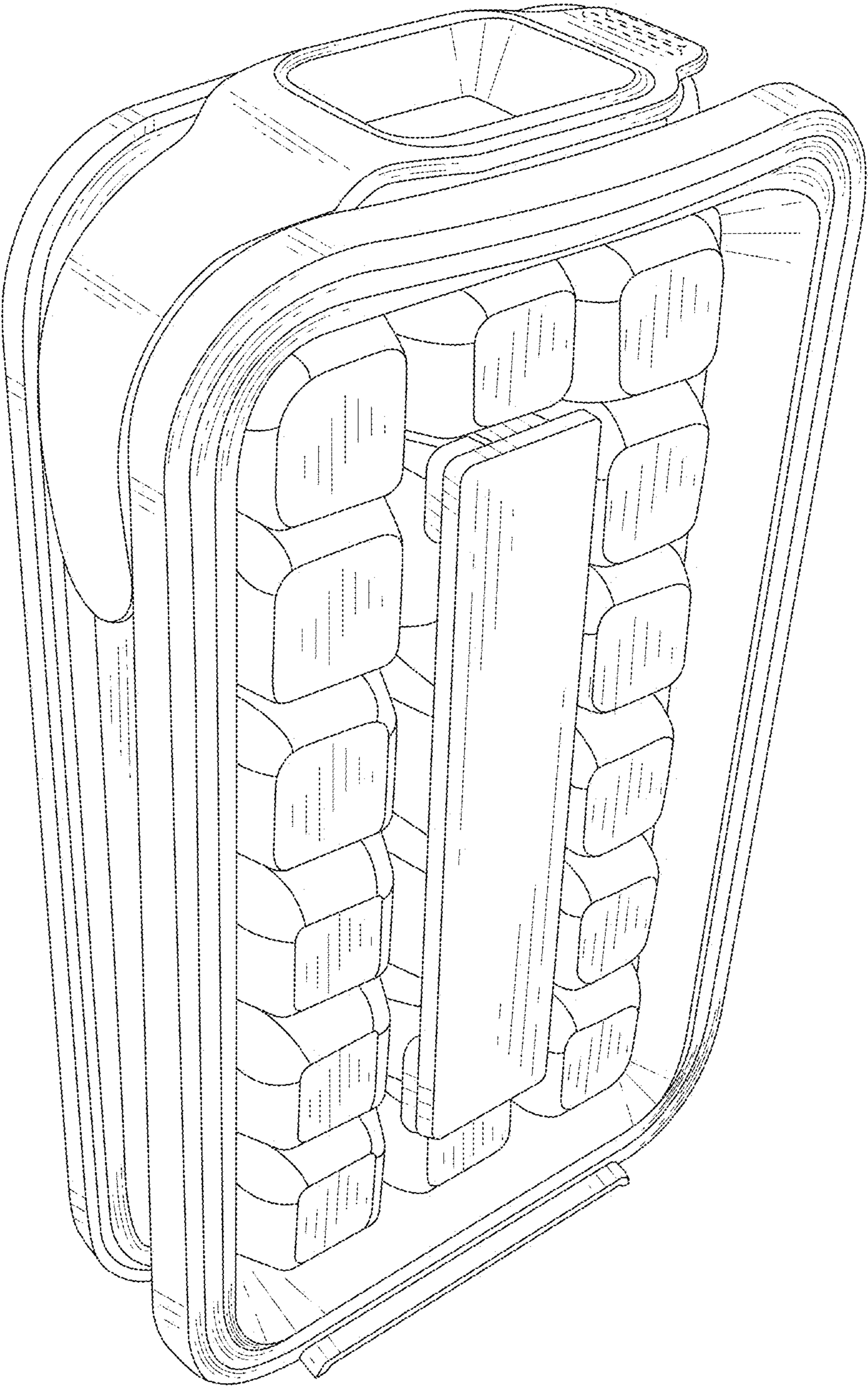


FIG.1

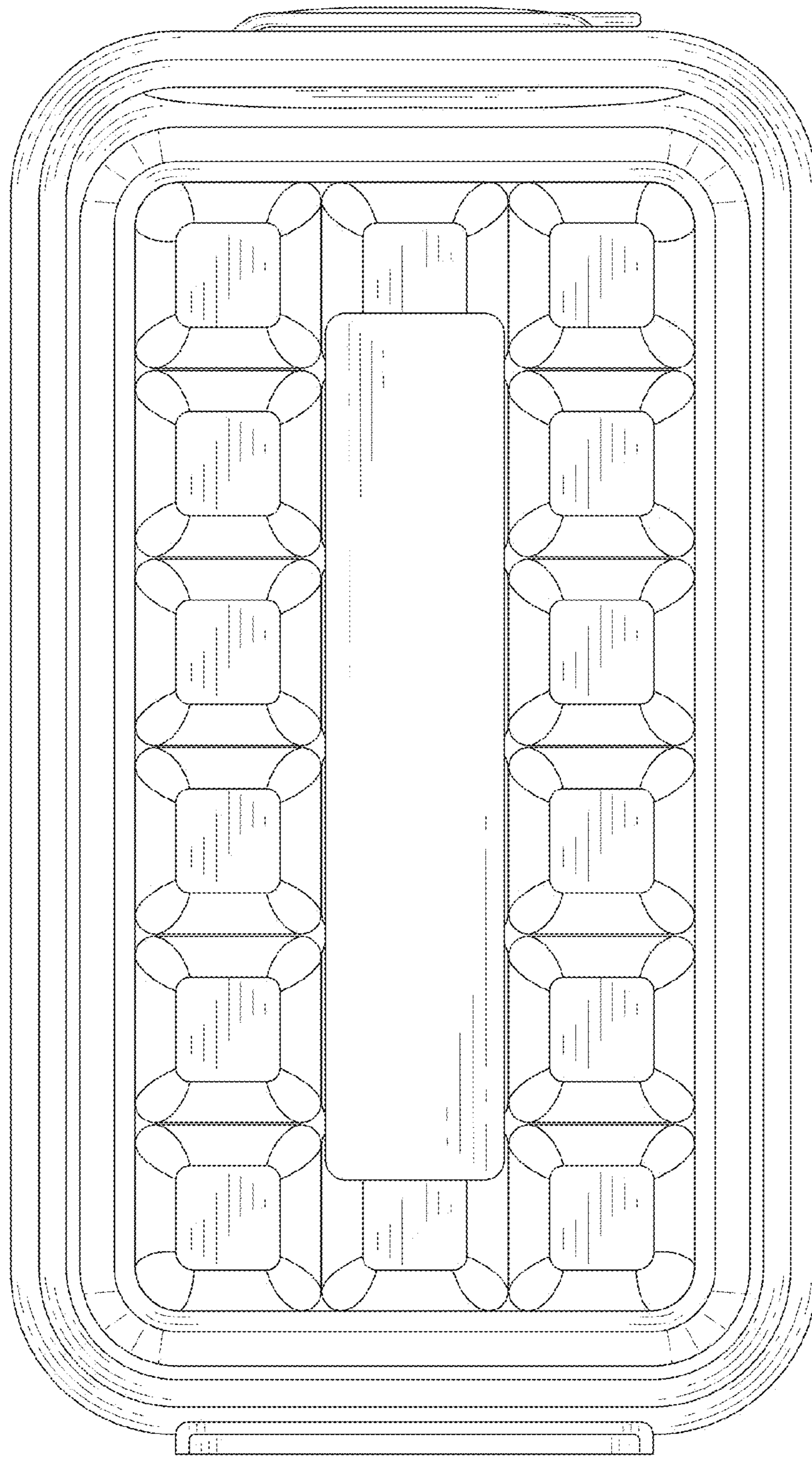


FIG.2

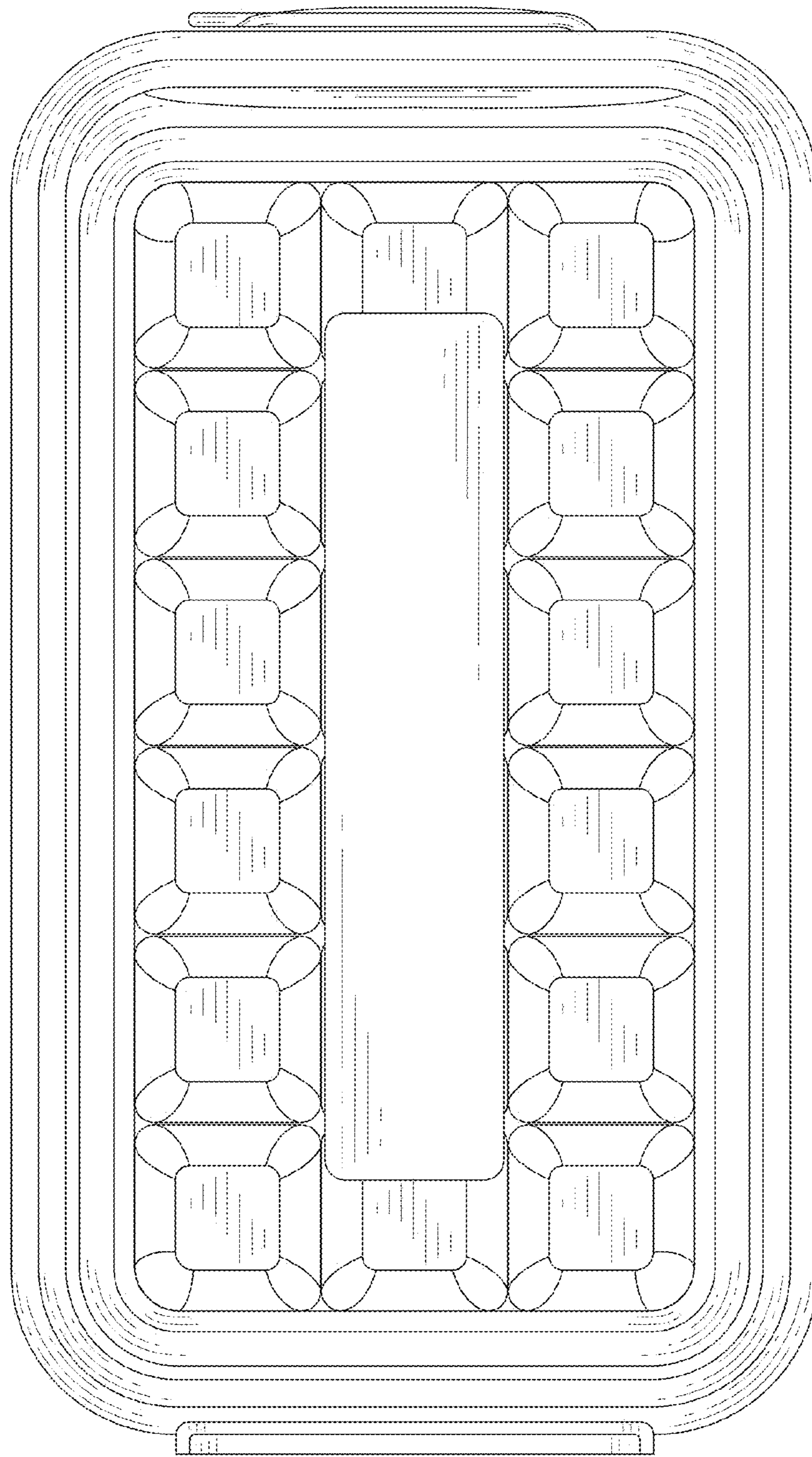


FIG.3

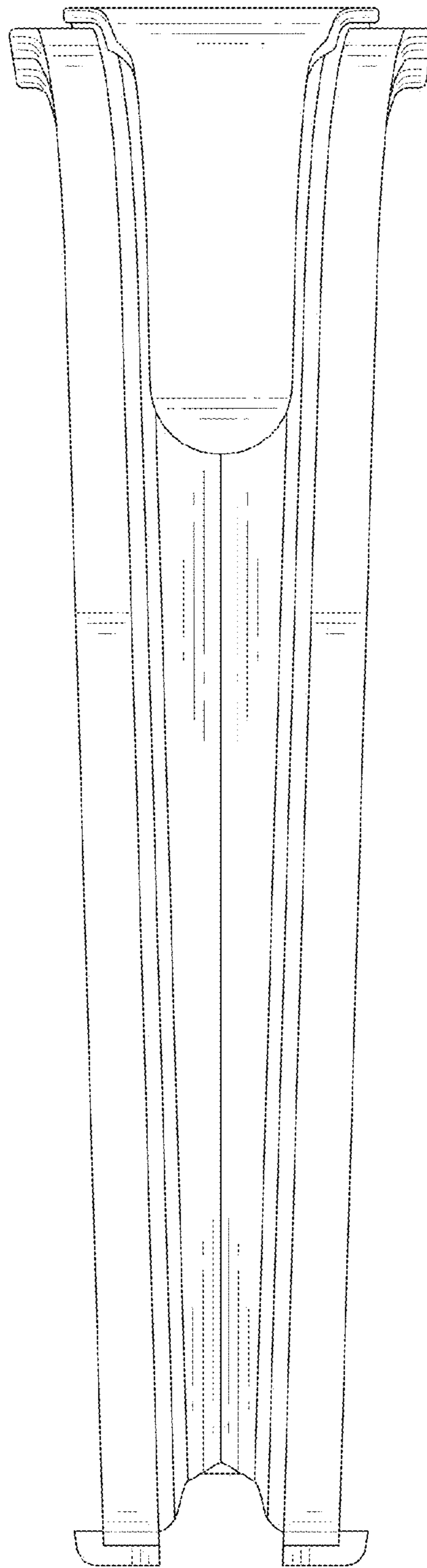


FIG.4

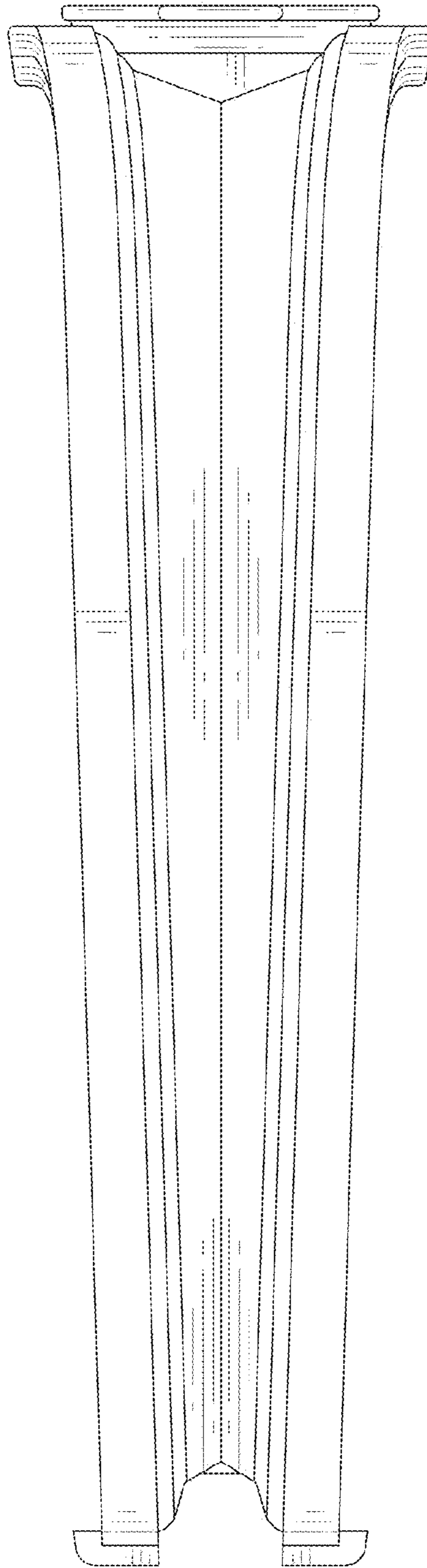


FIG.5

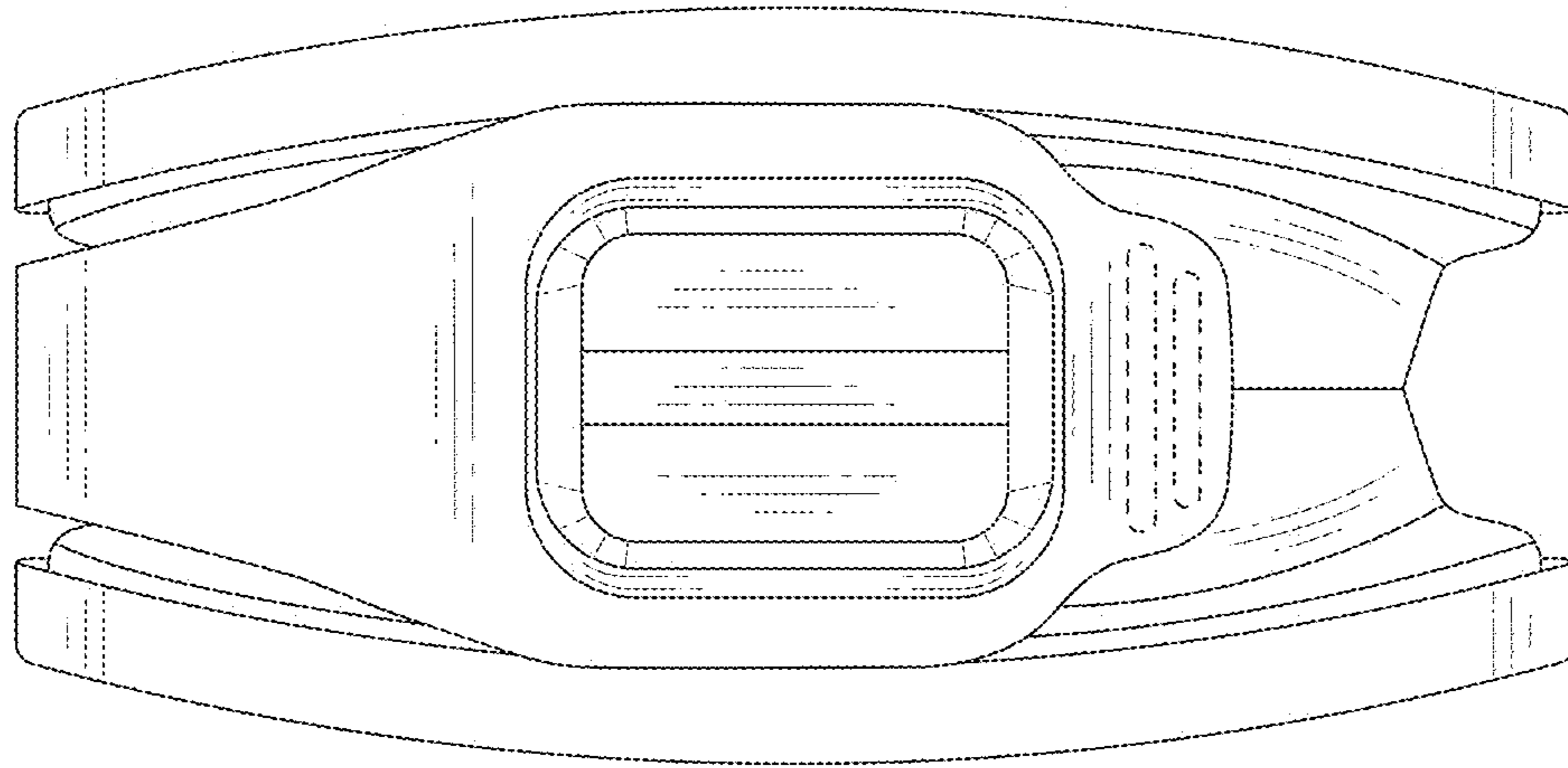


FIG.6

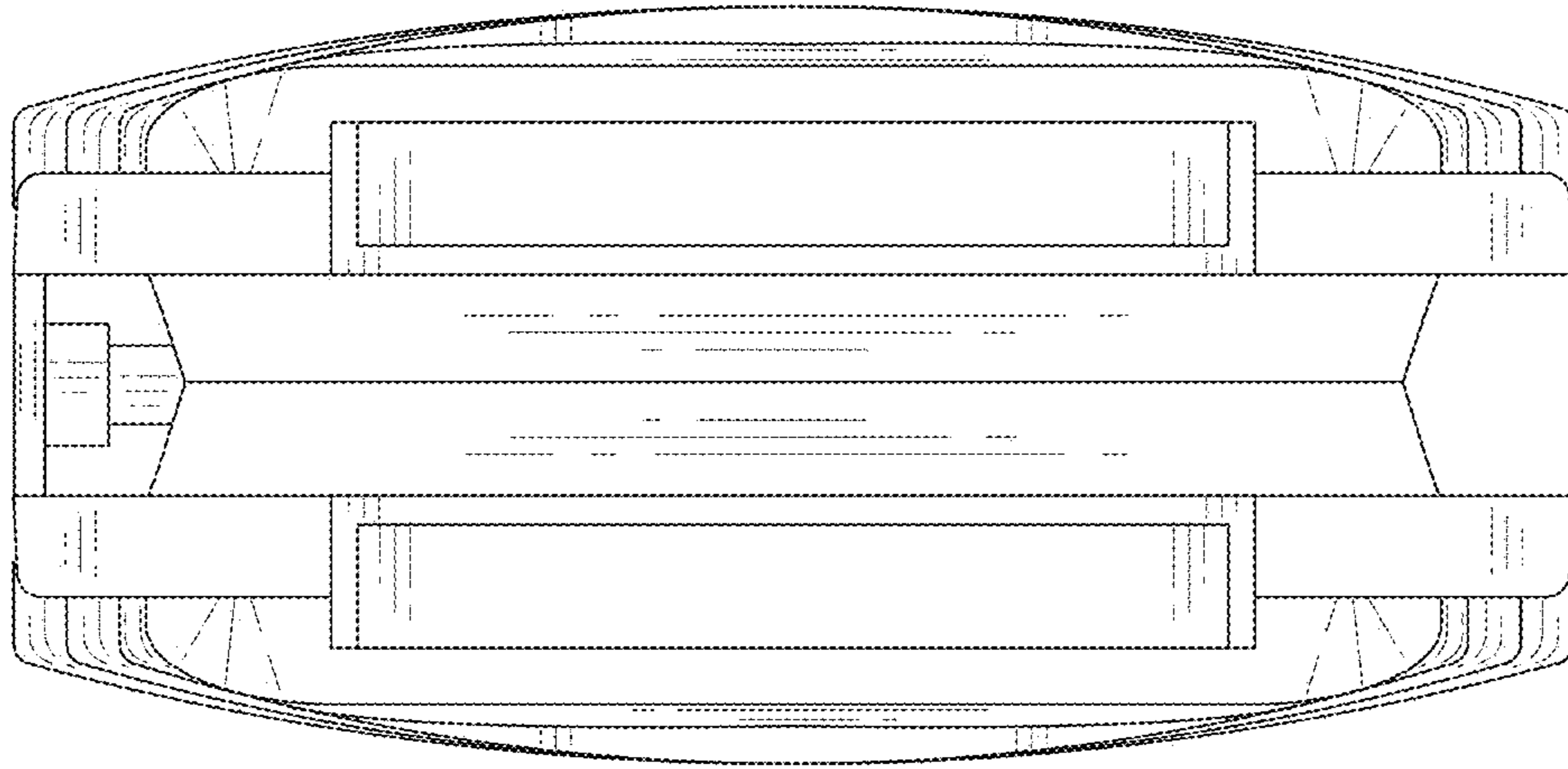


FIG.7



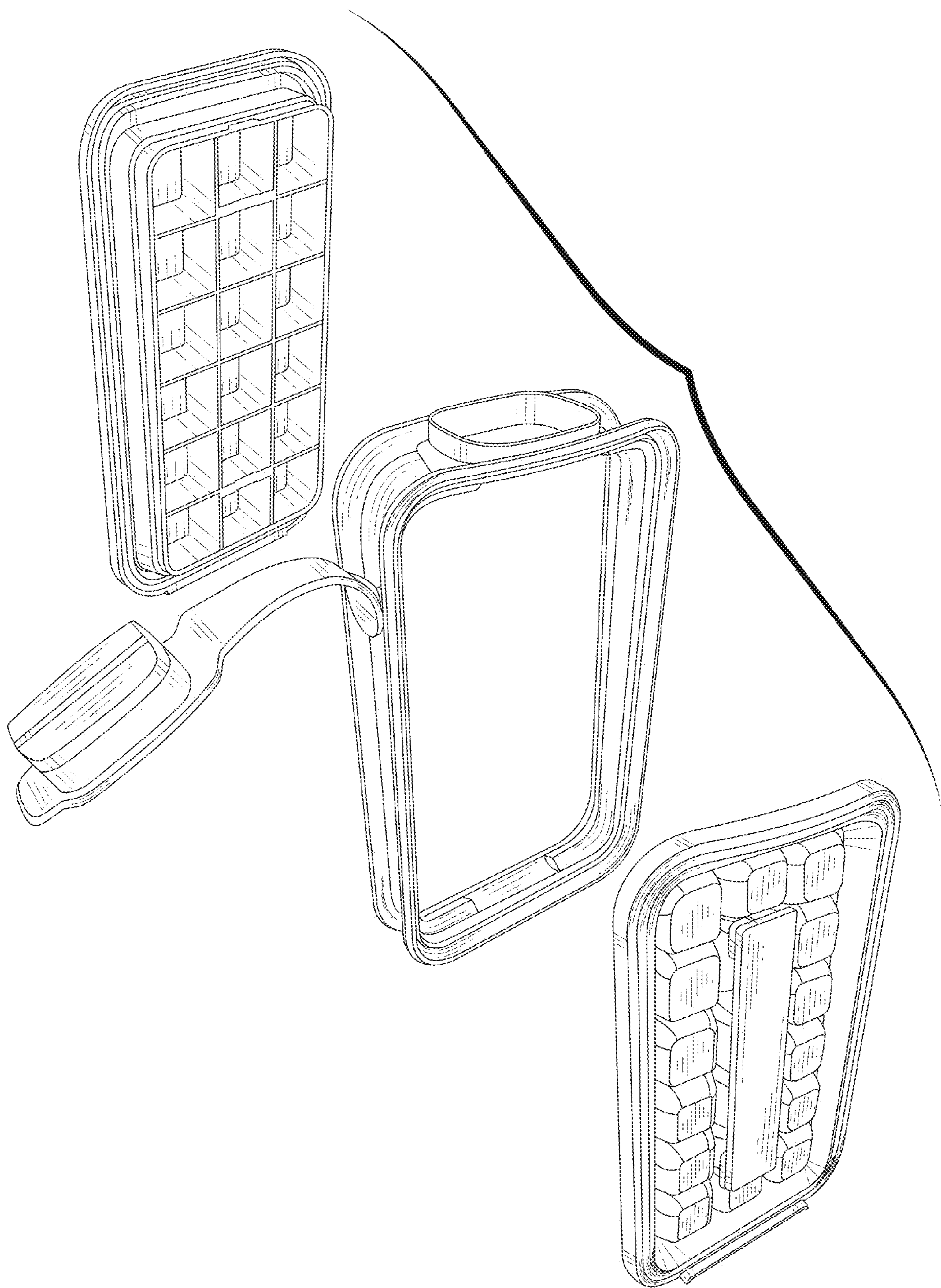


FIG.8