



US00D914067S

(12) **United States Design Patent** (10) **Patent No.:** **US D914,067 S**
Wu (45) **Date of Patent:** **** Mar. 23, 2021**

(54) **ICE MOLD**

(71) Applicant: **Xiu Wu**, Shenzhen (CN)

(72) Inventor: **Xiu Wu**, Shenzhen (CN)

(**) Term: **15 Years**

(21) Appl. No.: **29/720,027**

(22) Filed: **Jan. 9, 2020**

(51) **LOC (13) Cl.** **15-07**

(52) **U.S. Cl.**
USPC **D15/90**

(58) **Field of Classification Search**
USPC D7/332, 334, 339, 368, 387, 388, 393,
D7/402, 404, 405, 406, 672, 688, 697,
D7/698; D6/300, 546, 549; D8/300,
D8/315; D12/198; D20/22, 28;
D24/183, 184; D29/122; D15/90
CPC .. A47J 36/00; A47J 37/00; A47J 37/06; A47J
43/00; A47J 43/20; A47J 47/00; A21C
11/004; A21C 11/006; A21C 11/008;
A23G 9/083; A23G 9/221; F25C 1/243
See application file for complete search history.

(56) **References Cited**

U.S. PATENT DOCUMENTS

D346,552 S *	5/1994	Krupa	D9/757
D651,038 S *	12/2011	Henry	D7/357
D661,541 S *	6/2012	Braden	D7/359
D782,334 S *	3/2017	Bishop	D9/757
D847,222 S *	4/2019	Todirca	D15/90
D899,470 S *	10/2020	Liu	D15/90

OTHER PUBLICATIONS

Design No. IDD0000007998-0001, Jan. 20, 2005—Directorate Gen-
eral of Intellectual Property (DJKI) Publication Date—Jan. 20, 2005

Owner—David Tjeng WIPO, available at <https://www3.wipo.int/designdb/en/index.jsp> (Year: 2005).
Design No. 304331258, Oct. 27, 2017—China National Intellectual Property Administration (CNIPA) Publication Date—Oct. 27, 2017
Owner—Zhang Shaoyun WIPO, available at <https://www3.wipo.int/designdb/en/index.jsp> (Year: 2017).
Kimex Sphere Ice Cube Maker Trays, first available Dec. 27, 2019, Amazon, [online], [site visited Jan. 7, 2021], Available from internet URL: <https://www.amazon.com/Kimex-Sphere-Maker-Trays-Coasters/dp/B0836ZZSF6> (Year: 2019).
Design No. 306214552, Dec. 8, 2020—China National Intellectual Property Administration (CNIPA) Publication Date—Dec. 8, 2020
Owner—Chen Cuilan WIPO, available at <https://www3.wipo.int/designdb/en/index.jsp> (Year: 2020).
VARWANE Ice Ball Maker Mold, first available Jul. 27, 2020, Amazon, [online], [site visited Jan. 4, 2021], Available from internet URL: <https://www.amazon.com/dp/B08DNN1BBR?th=1> (Year: 2020).*

(Continued)

Primary Examiner — Mary Ann Calabrese
Assistant Examiner — Natalya M Rapundalo
(74) *Attorney, Agent, or Firm* — Novoclaims Patent Services LLC; Mei Lin Wong

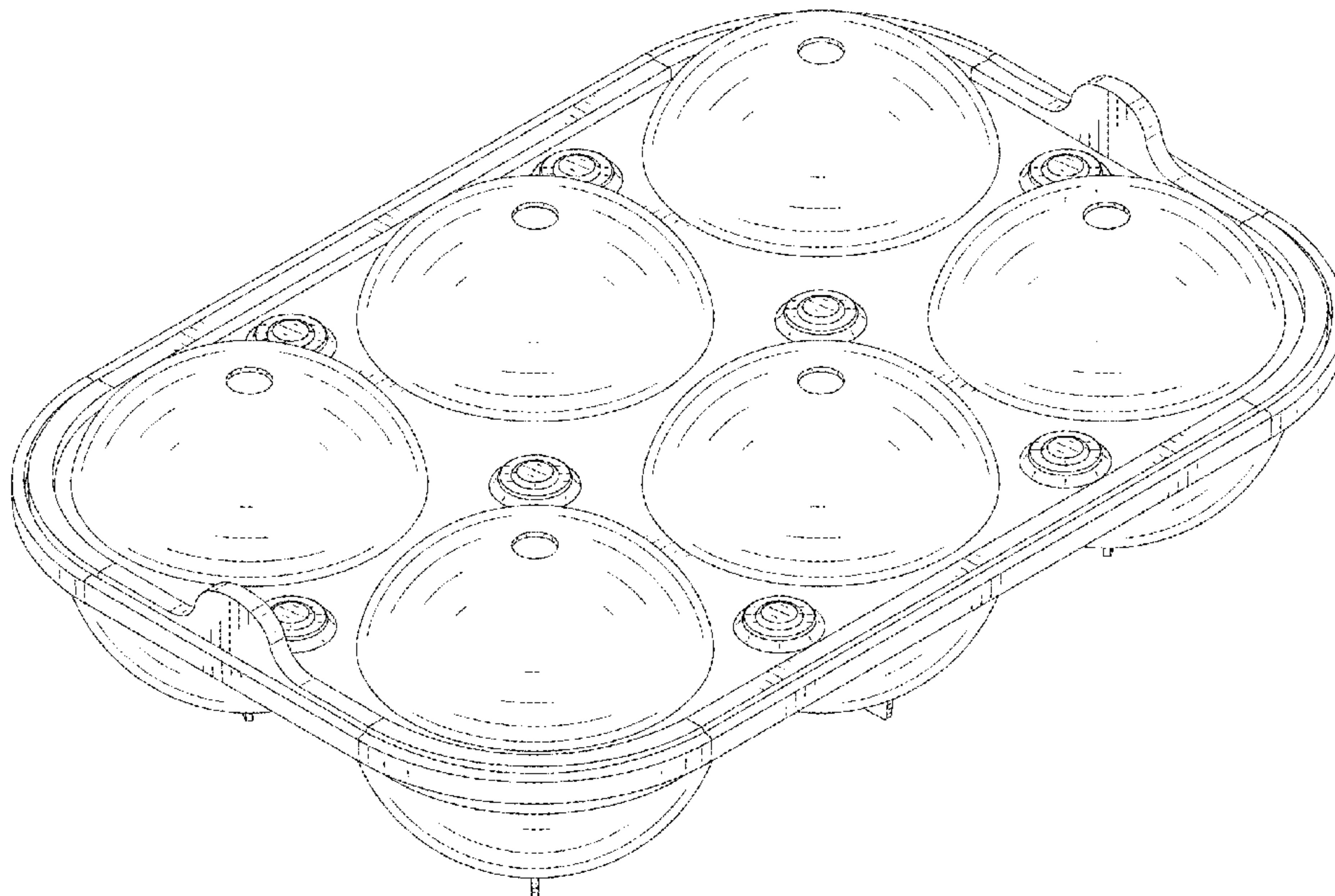
(57) **CLAIM**

The ornamental design for an ice mold, as shown and described.

DESCRIPTION

FIG. 1 is a perspective view of an ice mold showing my new design;
FIG. 2 is a bottom perspective view thereof;
FIG. 3 is a front view thereof;
FIG. 4 is a rear view thereof;
FIG. 5 is a left side view thereof;
FIG. 6 is a right side view thereof;
FIG. 7 is a top view thereof; and,
FIG. 8 is a bottom view thereof.

1 Claim, 8 Drawing Sheets



(56)

References Cited

OTHER PUBLICATIONS

Trenect Large Ice Cub Trays, first available Jun. 16, 2020, Amazon, [online], [site visited Jan. 4, 2021], Available from internet URL: <https://www.amazon.com/Trenect-Whiskey-Release-Silicone-Cocktail/dp/B08B7QXMXR> (Year: 2020).*

* cited by examiner

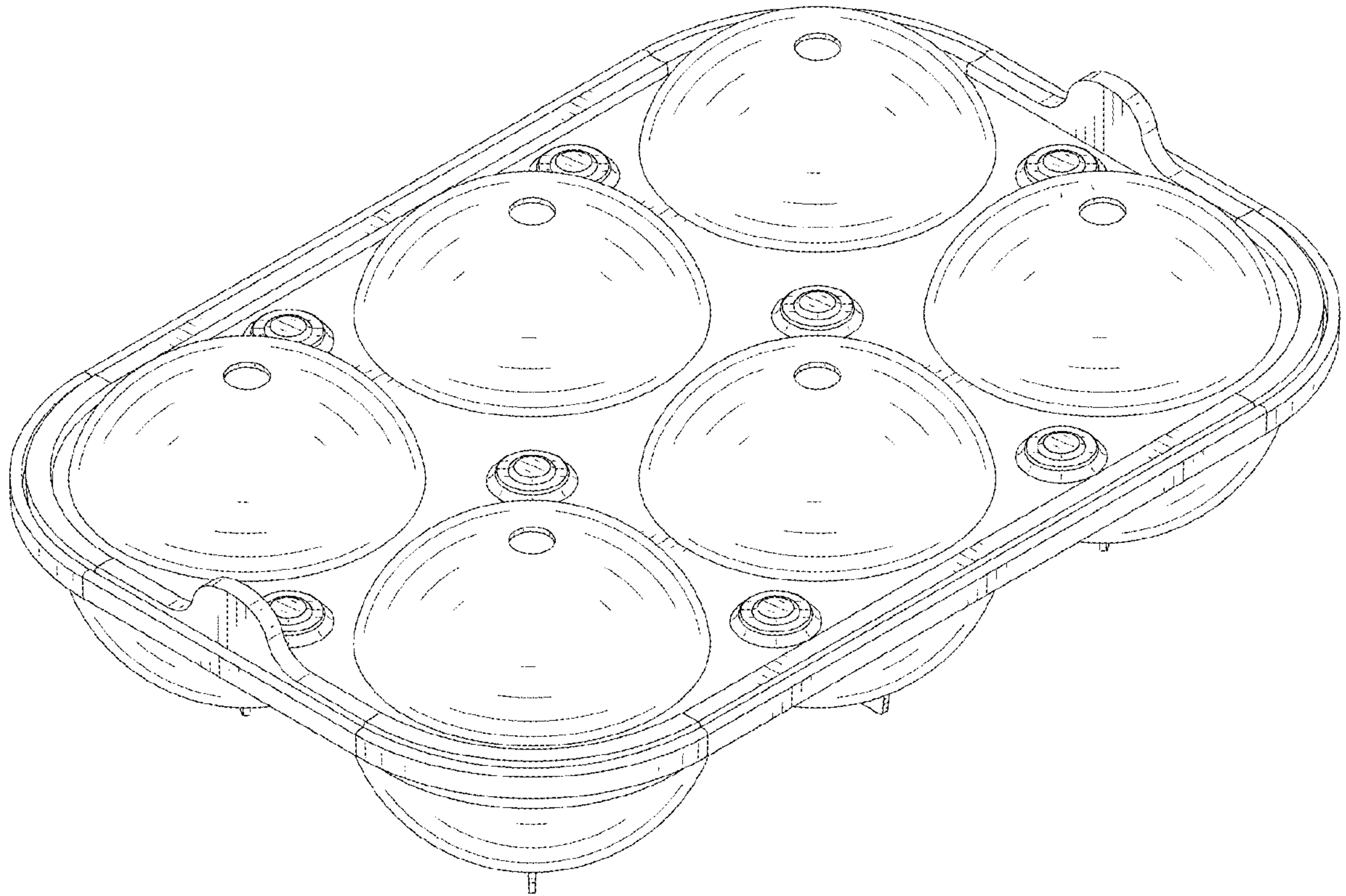


FIG.1

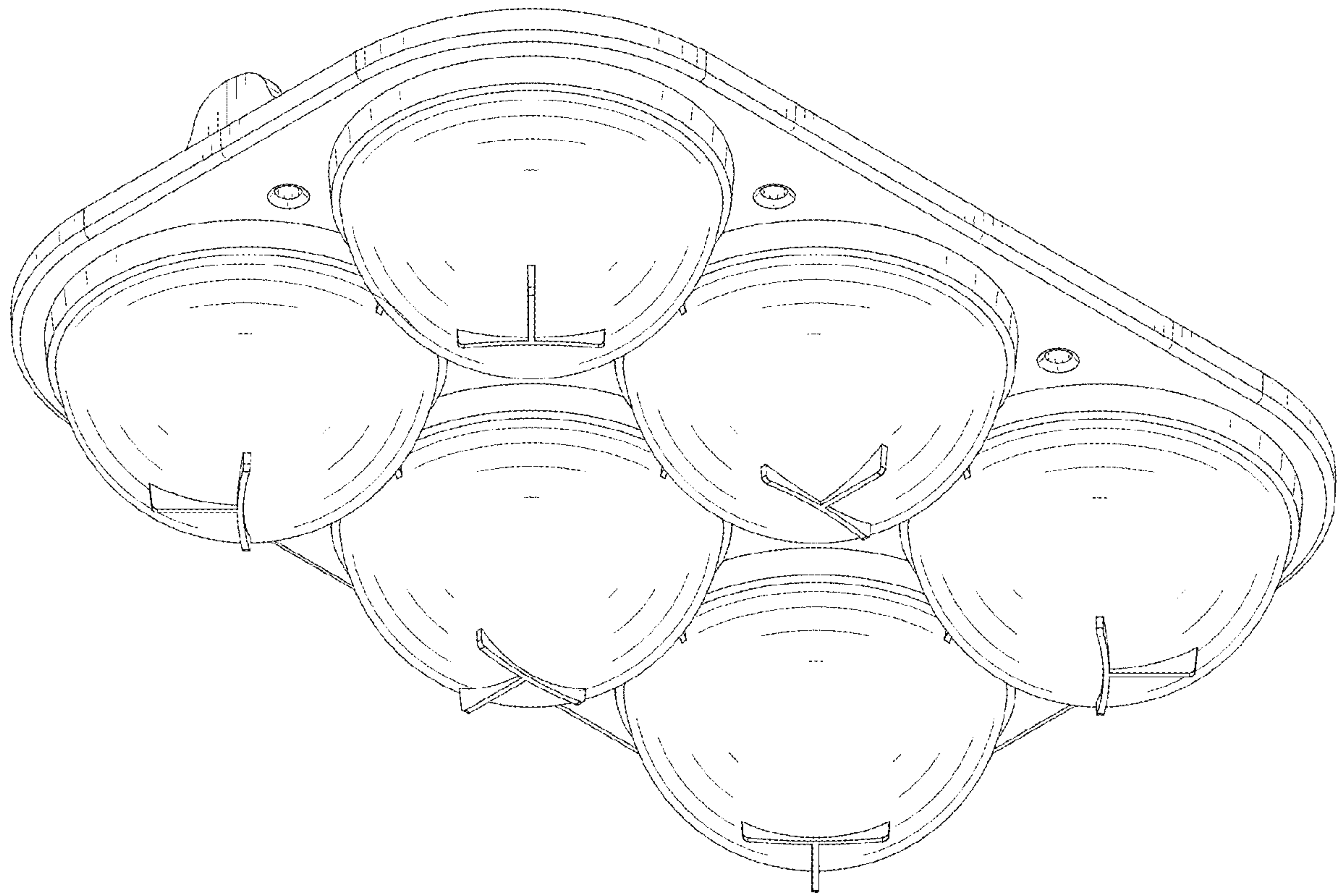


FIG.2

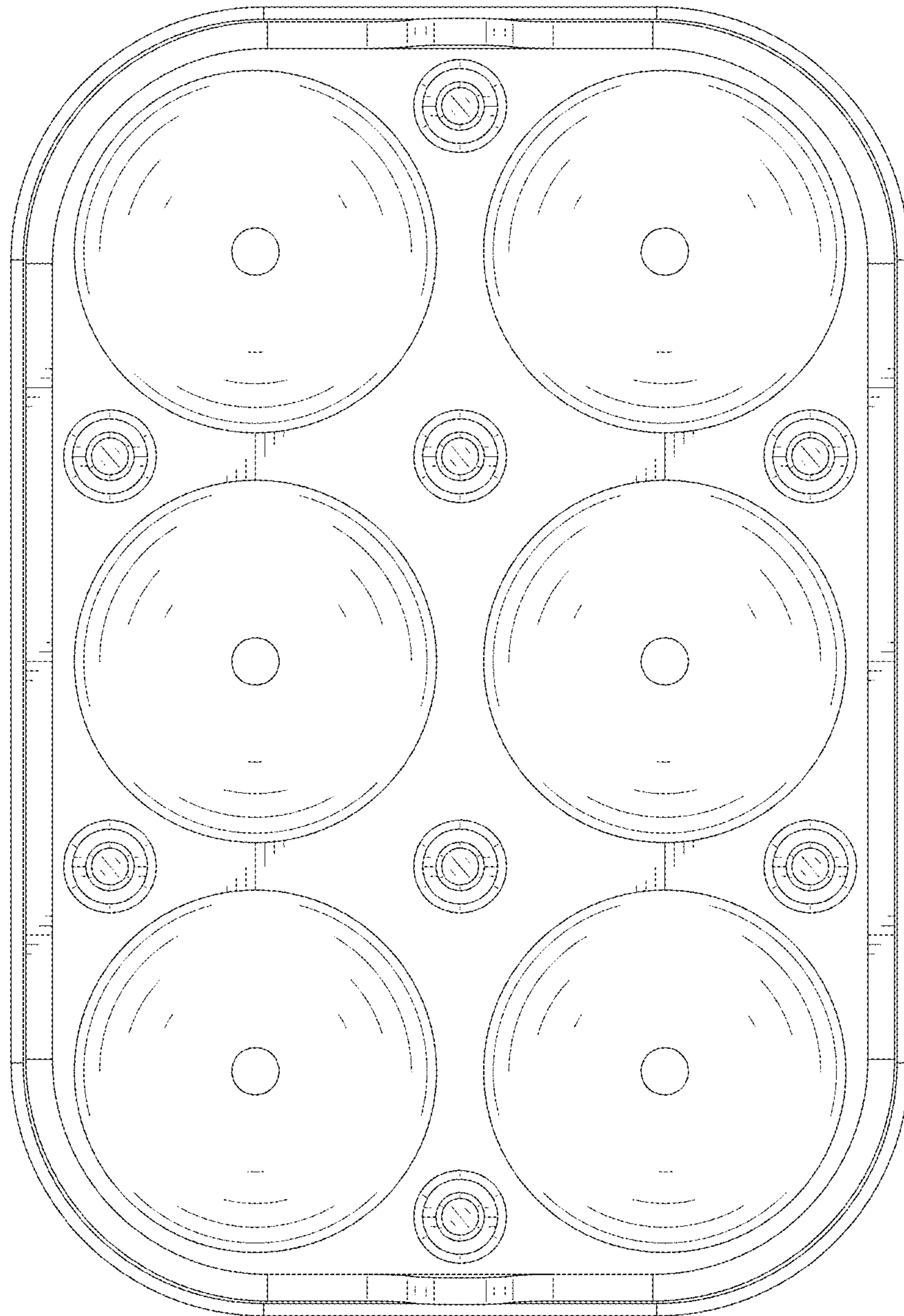


FIG.3

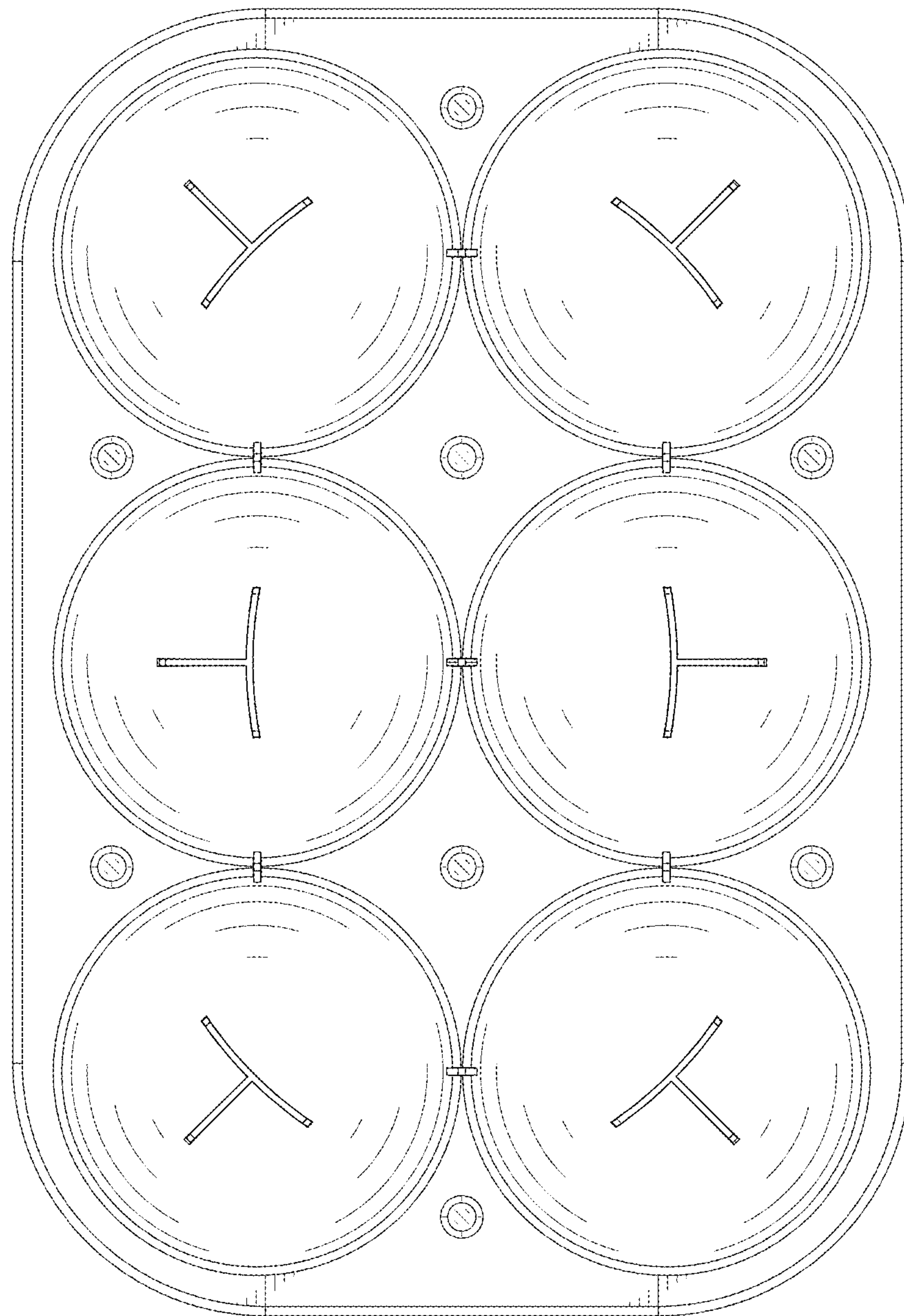


FIG.4

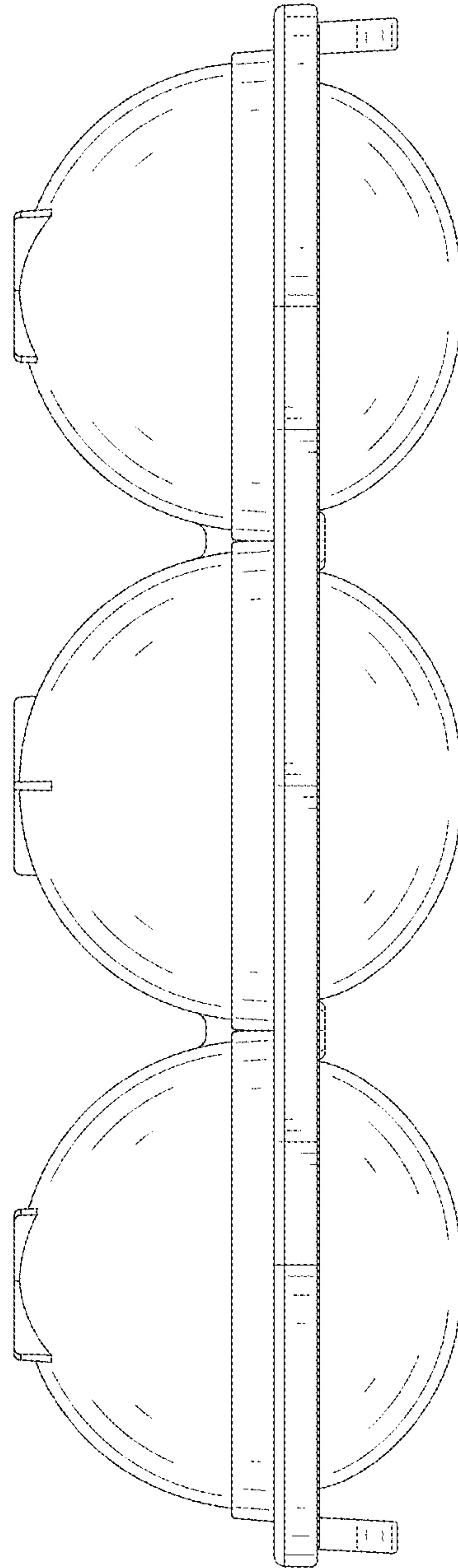


FIG.5

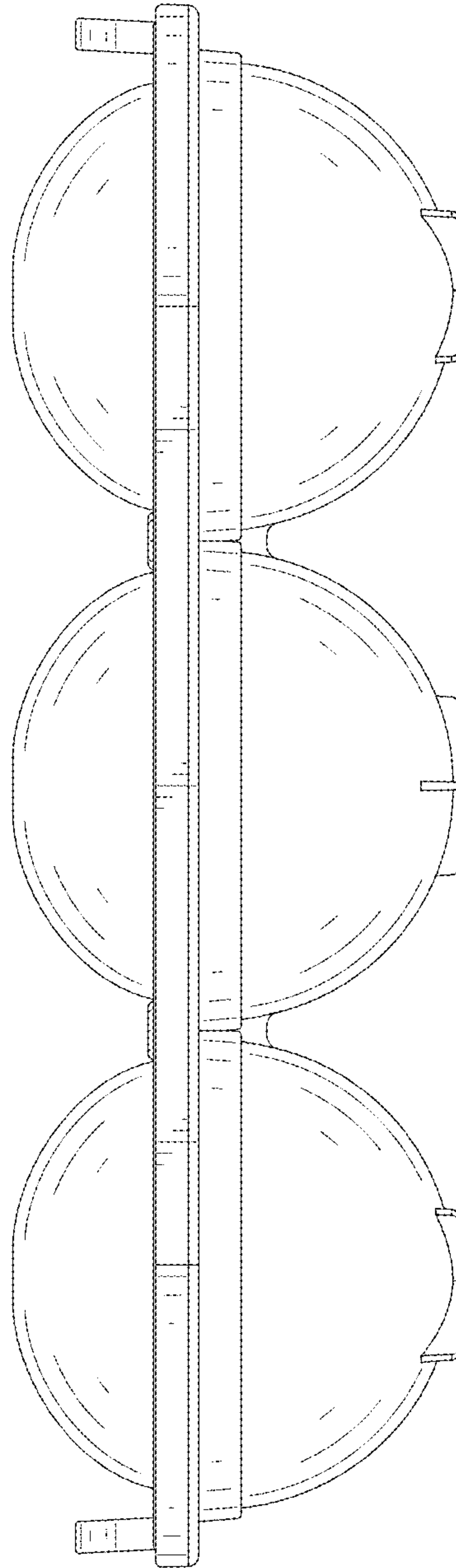


FIG.6

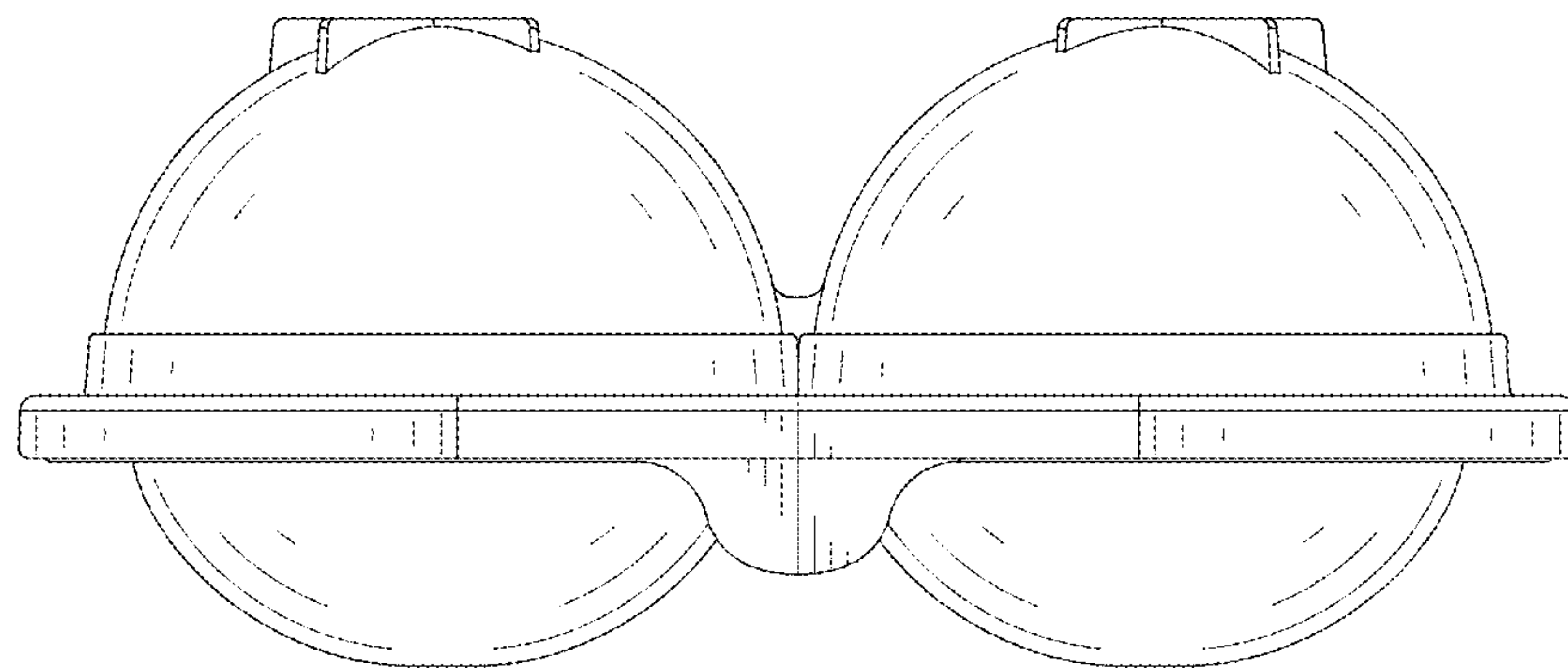


FIG.7

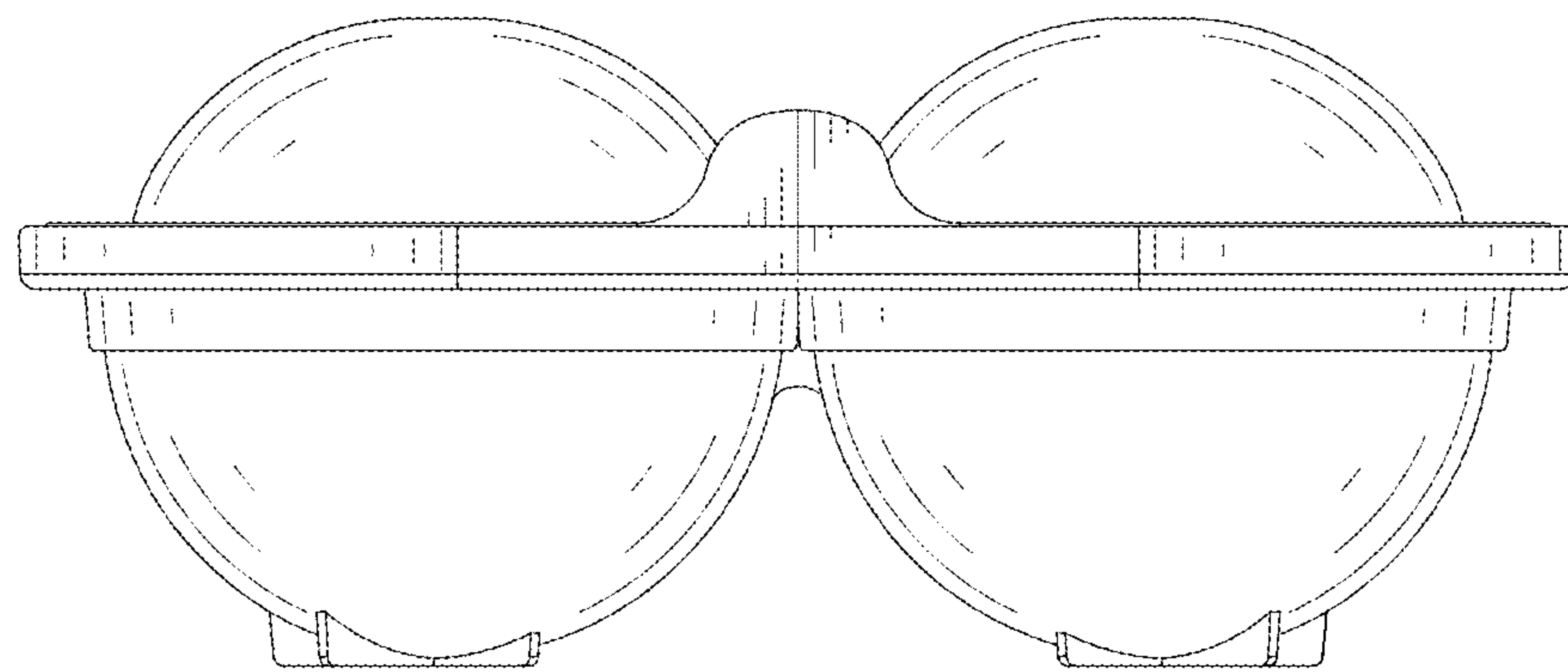


FIG.8