



US00D914063S

(12) **United States Design Patent** (10) **Patent No.:** **US D914,063 S**
Bartlett et al. (45) **Date of Patent:** **** Mar. 23, 2021**

(54) **BOOM FOR AGRICULTURAL MACHINE**
(71) Applicant: **Deere & Company**, Moline, IL (US)
(72) Inventors: **Thomas G. Bartlett**, Ankeny, IA (US); **Felix Nagelin**, Malibu (CA); **Jacob J. Schultes**, Des Moines, IA (US); **Garry E. Baxter**, Ankeny, IA (US); **Fazzio Youn**, Newbury Park, CA (US); **Jonathan J. Nelson**, Urbandale, IA (US); **Daniel J. Koenen**, Ankeny, IA (US)

(73) Assignee: **DEERE & COMPANY**, Moline, IL (US)

(**) Term: **15 Years**

(21) Appl. No.: **29/709,225**

(22) Filed: **Oct. 11, 2019**

(51) **LOC (13) Cl.** **15-03**

(52) **U.S. Cl.**
USPC **D15/13; D15/28**

(58) **Field of Classification Search**
USPC D15/10, 13, 27, 28; 239/157–159, 163, 239/164, 166, 167, 169
CPC A01M 7/0053; A01M 7/0064; A01M 7/0071; A01M 7/00; A01M 7/0075; A01M 7/0078; A01M 7/0082; A01M 7/006; A01C 23/008
See application file for complete search history.

(56) **References Cited**

U.S. PATENT DOCUMENTS

D289,876 S *	5/1987	McDonnell	D15/27
D410,656 S *	6/1999	Thyberg	D15/13
D559,274 S *	1/2008	Chahley	D15/13
8,864,048 B1 *	10/2014	Light	B05B 1/20 239/166
D753,729 S *	4/2016	Ponzinibbio	D15/13
2007/0131791 A1 *	6/2007	Peterson	A01M 7/0078 239/166

2012/0273626 A1* 11/2012 Bouten A01M 7/0071
248/70
2014/0366460 A1* 12/2014 Peters A01M 7/0078
52/98
2015/0098751 A1* 4/2015 Bidne A01C 23/008
403/83

(Continued)

OTHER PUBLICATIONS

John Deere, Self-Propelled Application Equipment Brochure, Jun. 2018. (32 pages).

(Continued)

Primary Examiner — Mark A Goodwin

(74) *Attorney, Agent, or Firm* — Klintworth & Rozenblat IP LLP

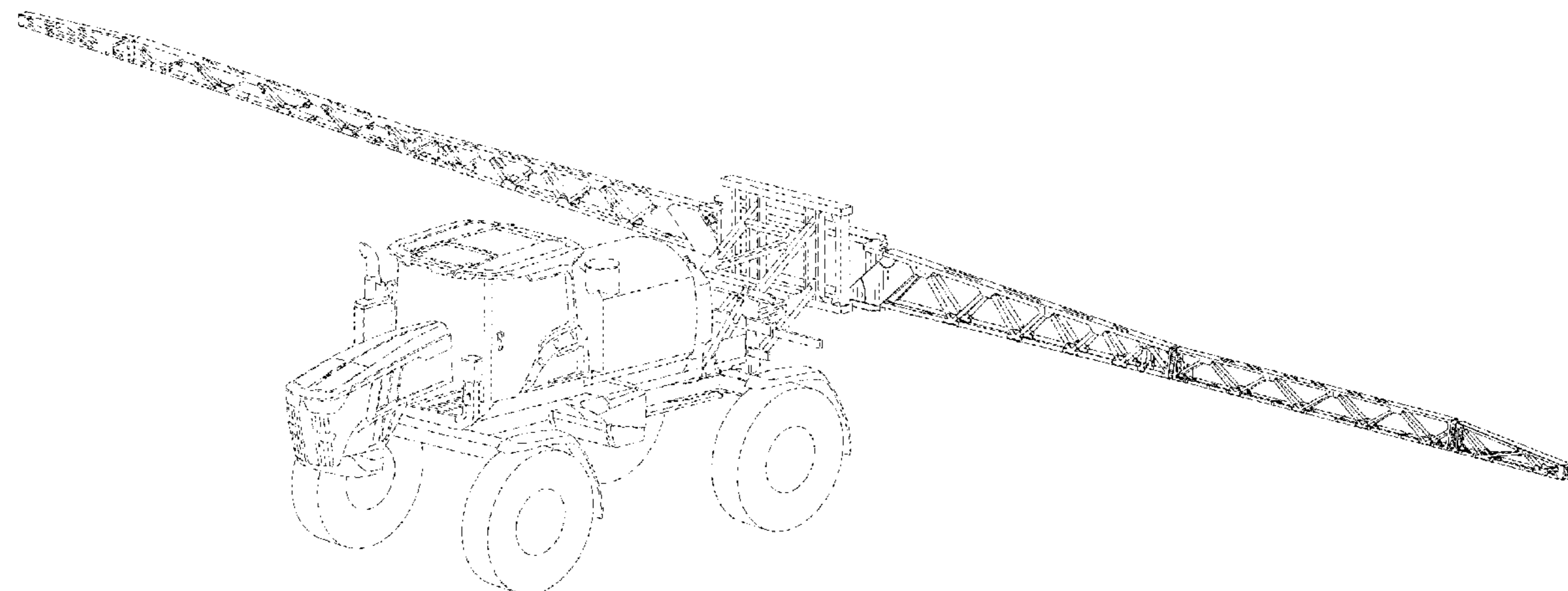
(57) **CLAIM**

The ornamental design for a boom for agricultural machine, as shown and described.

DESCRIPTION

FIG. 1 is a perspective view showing a boom for agricultural machine according to our new design in the context of an example self-propelled sprayer vehicle;
FIG. 2 is a perspective view of the boom for agricultural machine depicted in FIG. 1 shown in isolation;
FIG. 3 is a first side elevational view thereof;
FIG. 4 is a second side elevational view thereof;
FIG. 5 is a first plan view thereof;
FIG. 6 is a second plan view thereof;
FIG. 7 is a first end elevational view thereof, shown enlarged for clarity; and,
FIG. 8 is a second end elevational view thereof, shown enlarged for clarity.
The broken line representations in the figures depict unclaimed environment and form no part of the claimed design.

1 Claim, 4 Drawing Sheets



(56)

References Cited

U.S. PATENT DOCUMENTS

2015/0098752 A1* 4/2015 Kuphal A01M 7/0078
403/83
2015/0351375 A1* 12/2015 Ni A01M 7/0089
239/1
2015/0366127 A1* 12/2015 Roberge A01M 7/00
239/8
2016/0262370 A1* 9/2016 Leeb A01M 7/0057
2016/0286781 A1* 10/2016 Mariani B05B 1/185
2017/0086449 A1* 3/2017 Hiddema A01M 7/0071
2017/0202129 A1* 7/2017 Abner A01C 23/008
2017/0367315 A1* 12/2017 Bouten A01M 7/0078
2018/0263235 A1* 9/2018 Light B05B 3/12
2019/0053481 A1* 2/2019 Snyder A01M 7/0078
2019/0281807 A1* 9/2019 Gautron B05B 1/20
2019/0357519 A1* 11/2019 Castro B05B 15/62

OTHER PUBLICATIONS

Agrifac, sample sprayer images, unknown date, (1 page).
Amazone, sample sprayer images, unknown date, (1 page).
Case, sample sprayer images, unknown date, (1 page).
Fendt, sample sprayer images, unknown date, (1 page).
Horsch, sample sprayer images, unknown date, (1 page).
New Holland, sample sprayer images, unknown date, (1 page).

* cited by examiner

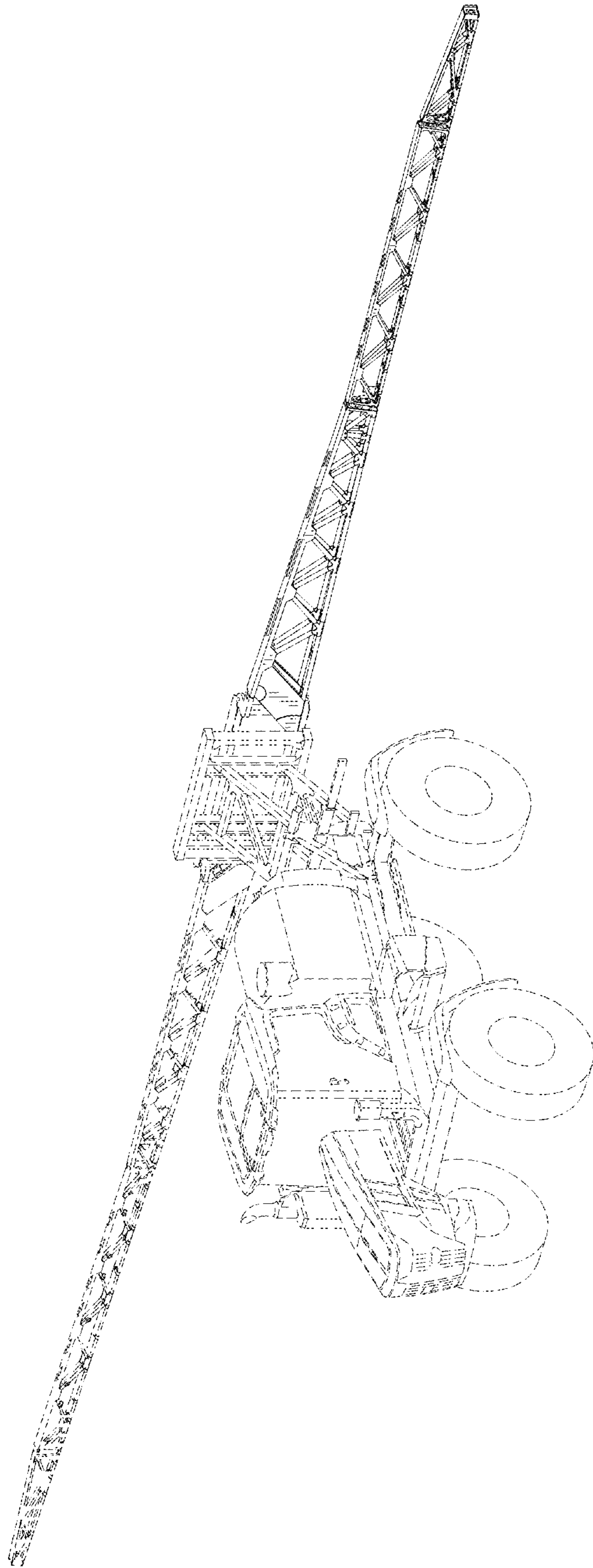


FIG. 1

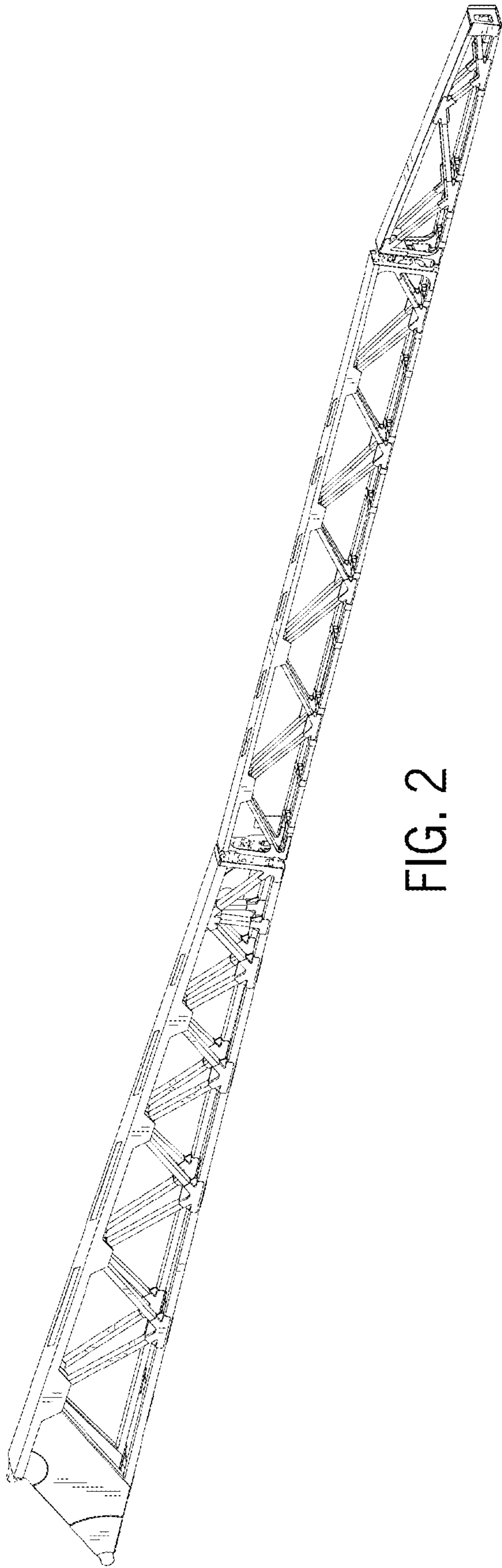


FIG. 2

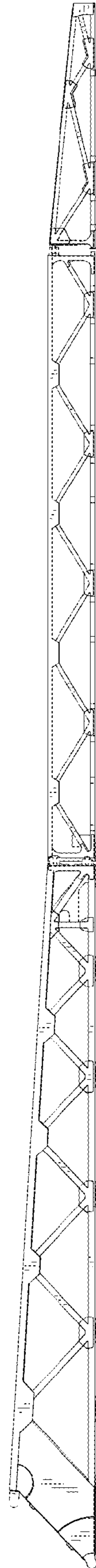


FIG. 3

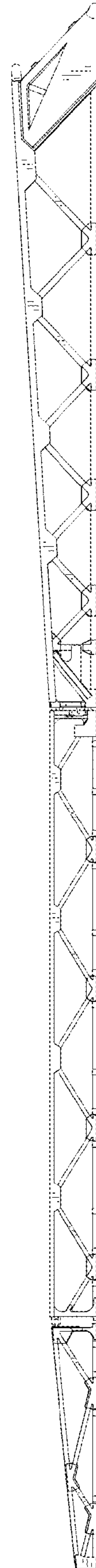


FIG. 4

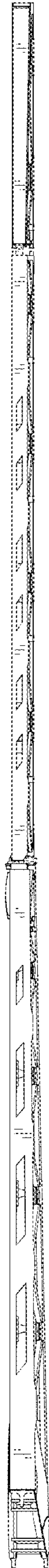


FIG. 5

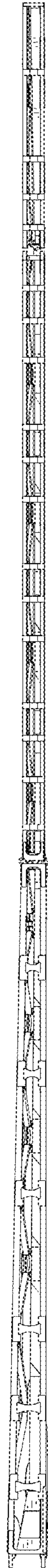


FIG. 6

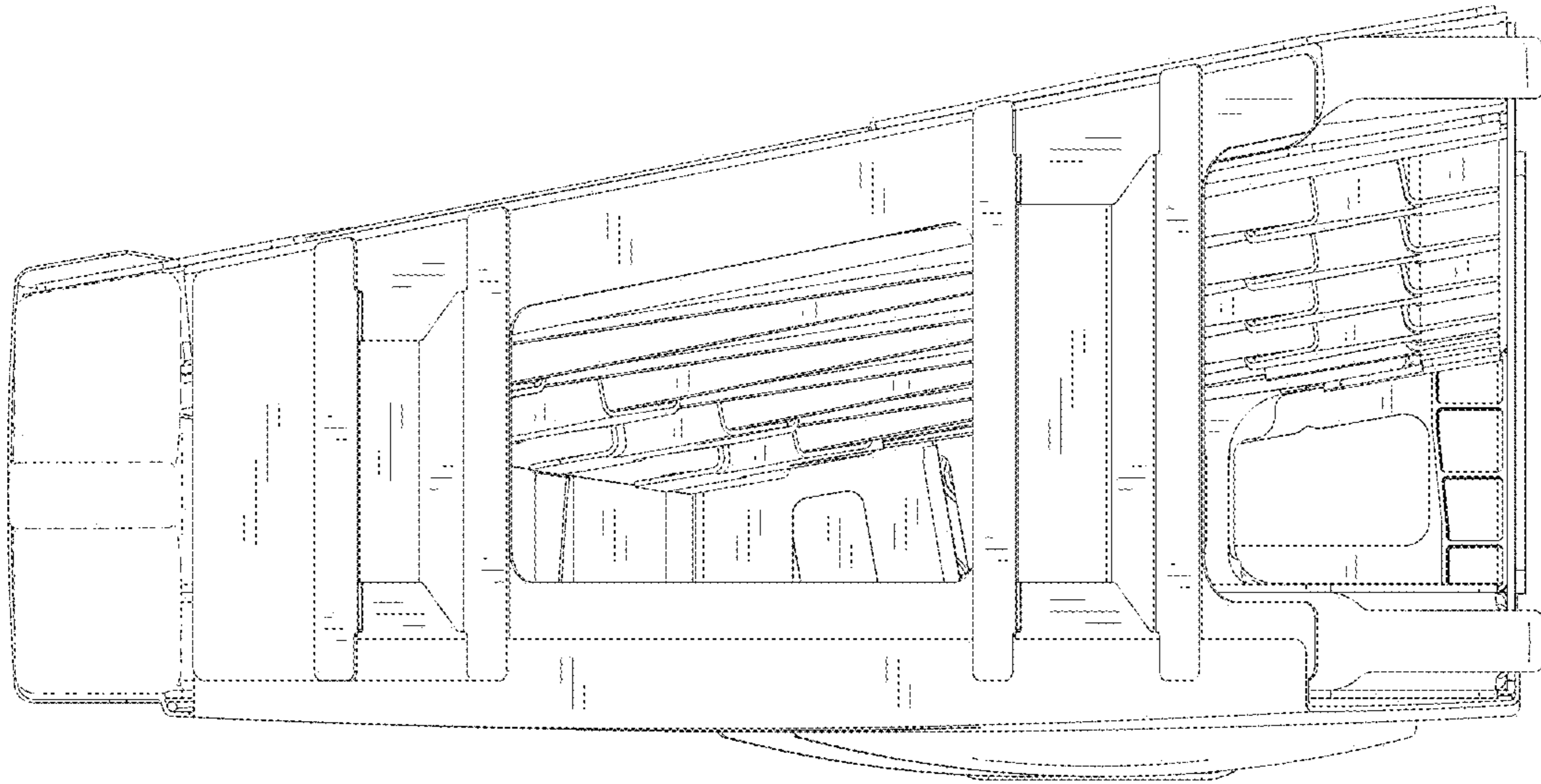


FIG. 8

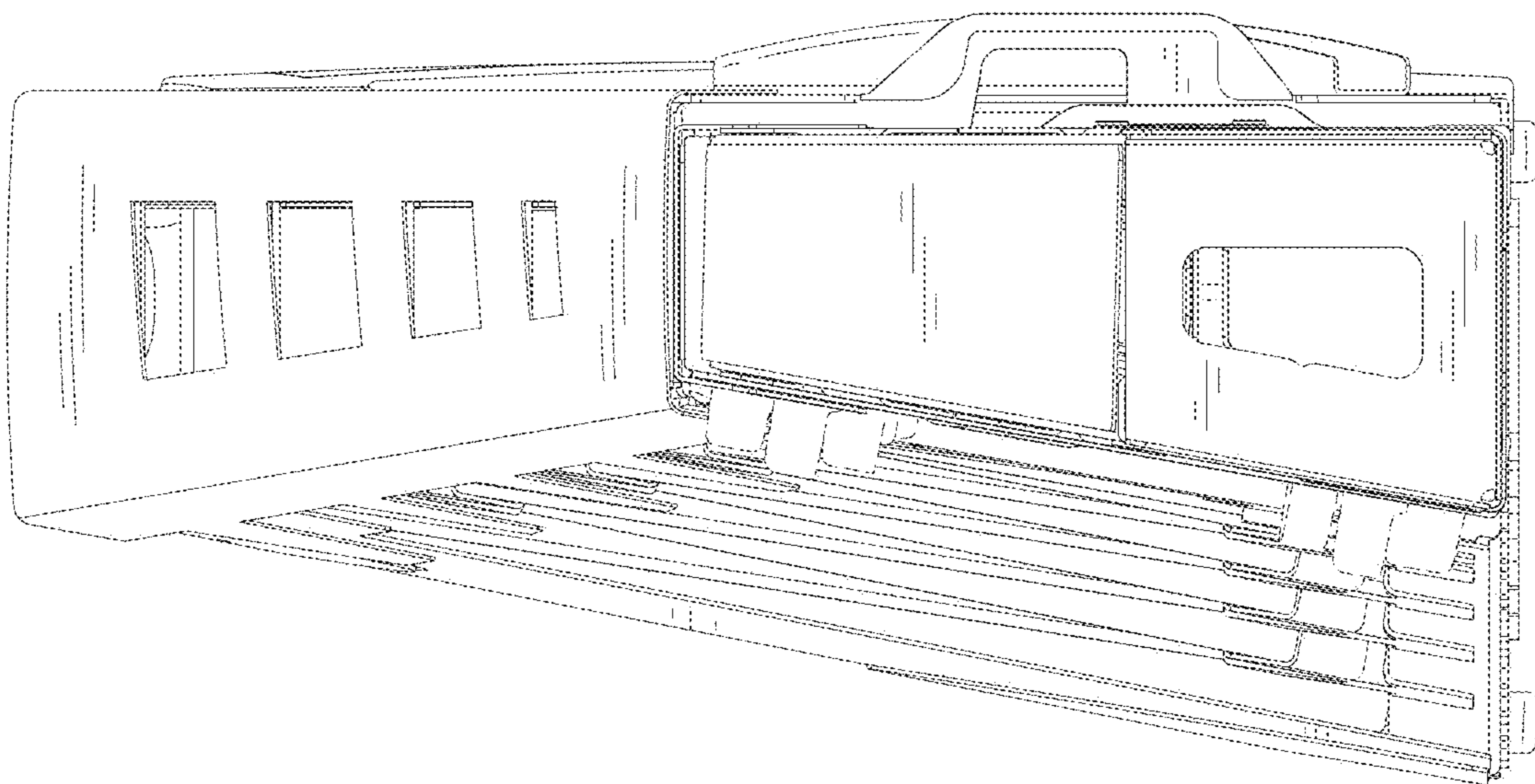


FIG. 7