



US00D914062S

(12) **United States Design Patent**
Jacquemyns

(10) **Patent No.:** **US D914,062 S**

(45) **Date of Patent:** **** Mar. 23, 2021**

(54) **COMPRESSOR PART**

(71) Applicant: **Ateliers François, Liège (BE)**

(72) Inventor: **Didier Rolin Jacquemyns, Overijse (BE)**

(**) Term: **15 Years**

(21) Appl. No.: **35/508,435**

(22) Filed: **Oct. 29, 2019**

(80) **Hague Agreement Data**

Int. Filing Date: **Oct. 29, 2019**

Int. Reg. No.: **DM/205399**

Int. Reg. Date: **Oct. 29, 2019**

Int. Reg. Pub. Date: **Jan. 31, 2020**

(30) **Foreign Application Priority Data**

May 21, 2019 (EM) 006494589-001

(51) **LOC (13) Cl.** **15-02**

(52) **U.S. Cl.**

USPC **D15/9**

CPC **F04B 35/04 (2013.01)**

(58) **Field of Classification Search**

USPC D15/7-9; D23/231, 232, 225; 417/235, 417/265, 321, 355, 358, 363, 359, 410.1, 417/415-416, 405, 900, 269, 539, 234; 60/408, 412; 184/26-37; 415/140-147; 123/495, 509; 137/565.34

CPC F02M 37/04; F02M 37/14; F04B 53/92; F04B 1/005; F04B 35/04

See application file for complete search history.

(56) **References Cited**

U.S. PATENT DOCUMENTS

4,389,166 A * 6/1983 Harvey F04B 35/04
417/234

5,584,675 A * 12/1996 Steurer F04B 39/066
417/372

| | | | | |
|----------------|---------|-----------|-------|-----------------------|
| D377,967 S * | 2/1997 | Rozek | | D15/9 |
| D379,996 S * | 6/1997 | Leu | | D15/9 |
| D382,883 S * | 8/1997 | Breitzman | | D15/9 |
| D402,295 S * | 12/1998 | Kayukawa | | D15/9 |
| D412,174 S * | 7/1999 | Faulkner | | D15/9 |
| D417,876 S * | 12/1999 | Kayukawa | | D15/9 |
| D427,611 S * | 7/2000 | Yokota | | D15/9 |
| D428,423 S * | 7/2000 | Takamatsu | | D15/9 |
| D435,563 S * | 12/2000 | Murao | | D15/9 |
| D447,150 S * | 8/2001 | Miyazawa | | D15/9 |
| D450,060 S * | 11/2001 | Miyazawa | | D15/9 |
| D450,329 S * | 11/2001 | Kanou | | D15/9 |
| D452,252 S * | 12/2001 | Miyazawa | | D15/9 |
| 6,331,101 B2 * | 12/2001 | Leu | | F04B 35/04 417/415 |
| D453,343 S * | 2/2002 | Shiina | | D15/9 |
| D454,357 S * | 3/2002 | Diels | | D15/7 |
| D454,888 S * | 3/2002 | Tsunoda | | D15/9 |
| D457,531 S * | 5/2002 | Kimura | | D15/9 |
| D461,196 S * | 8/2002 | Buck | | D15/9 |
| D464,064 S * | 10/2002 | Tsunoda | | D15/9 |
| D471,210 S * | 3/2003 | Tsunoda | | D15/9 |
| D473,242 S * | 4/2003 | Shiina | | D15/9 |
| D482,371 S * | 11/2003 | Buck | | D15/9 |
| D488,820 S * | 4/2004 | Rozek | | D15/7 |
| D490,823 S * | 6/2004 | Hsiao | | D15/9 |
| D492,700 S * | 7/2004 | Hsiao | | D15/7 |

(Continued)

Primary Examiner — Richard E Chilcot

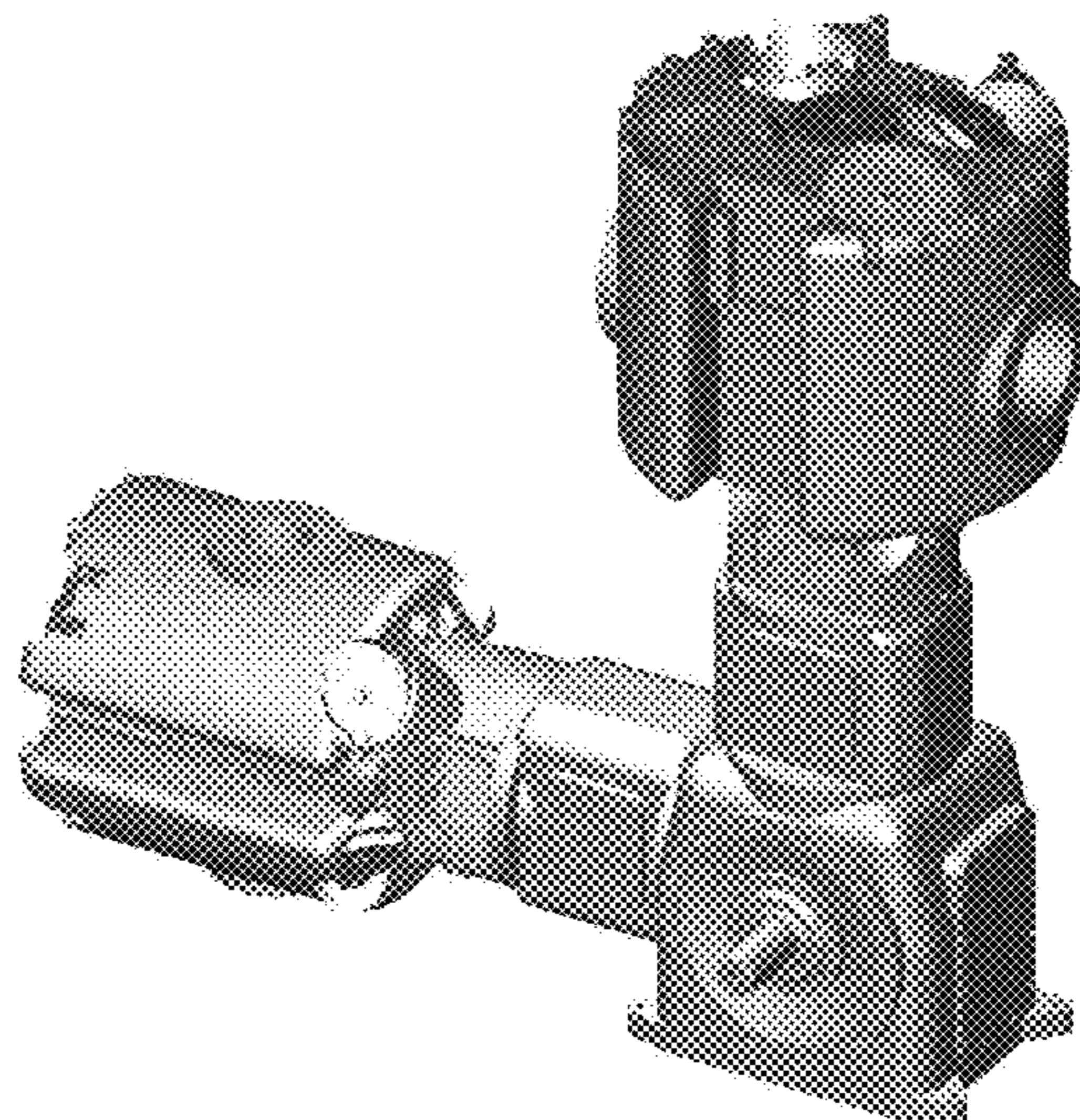
(57) **CLAIM**

The ornamental design for a compressor part, as shown and described.

DESCRIPTION

- 1. Compressor part
- 1.1 : Right
- 1.2 : Front Right Side
- 1.3 : Back Right Side
- 1.4 : Back Left Side
- 1.5 : Front Left Side
- 1.6 : Back
- 1.7 : Perspective

1 Claim, 7 Drawing Sheets



(56)

References Cited

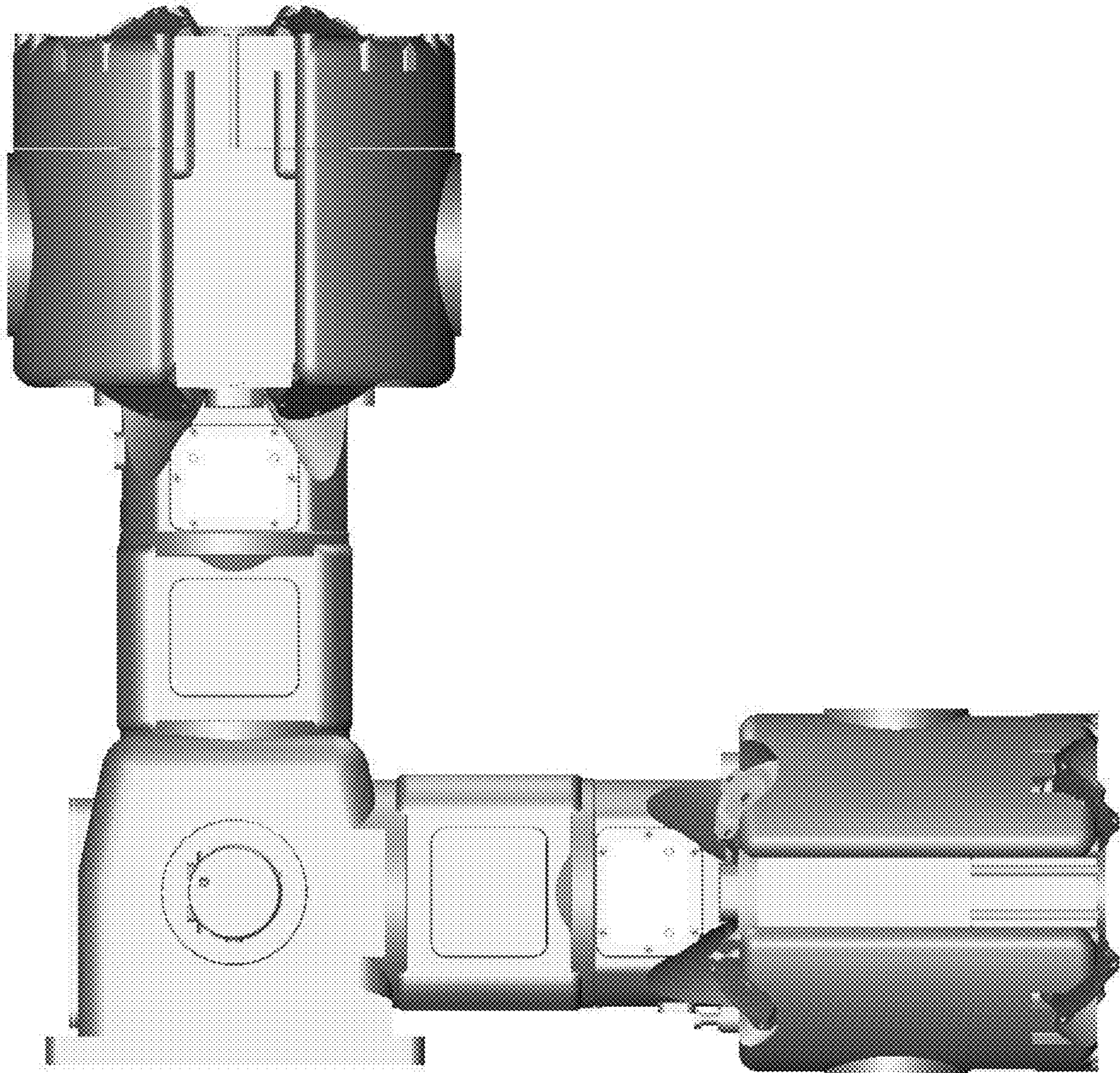
U.S. PATENT DOCUMENTS

D498,482 S * 11/2004 Hsiao D15/9
 D499,119 S * 11/2004 Thomas, Jr. D15/9
 D499,747 S * 12/2004 Buck D15/9
 D526,665 S * 8/2006 Hsiao D15/9
 D527,025 S * 8/2006 Hsiao D15/9
 D528,132 S * 9/2006 Hsiao D15/9
 D539,310 S * 3/2007 Matsuoka D15/9
 D541,303 S * 4/2007 Drew D15/5
 D541,306 S * 4/2007 Welsh D15/9
 D553,158 S * 10/2007 Caito D15/9
 D576,179 S * 9/2008 Kondo D15/9
 D603,871 S * 11/2009 Steinfels D15/7
 D603,872 S * 11/2009 Averill D15/9
 D604,746 S * 11/2009 Nishido D15/7
 D633,108 S * 2/2011 Hamada D15/9
 D633,109 S * 2/2011 Katayama D15/9
 D654,933 S * 2/2012 Yamanaka D15/7
 D660,321 S * 5/2012 Hsiao D15/7

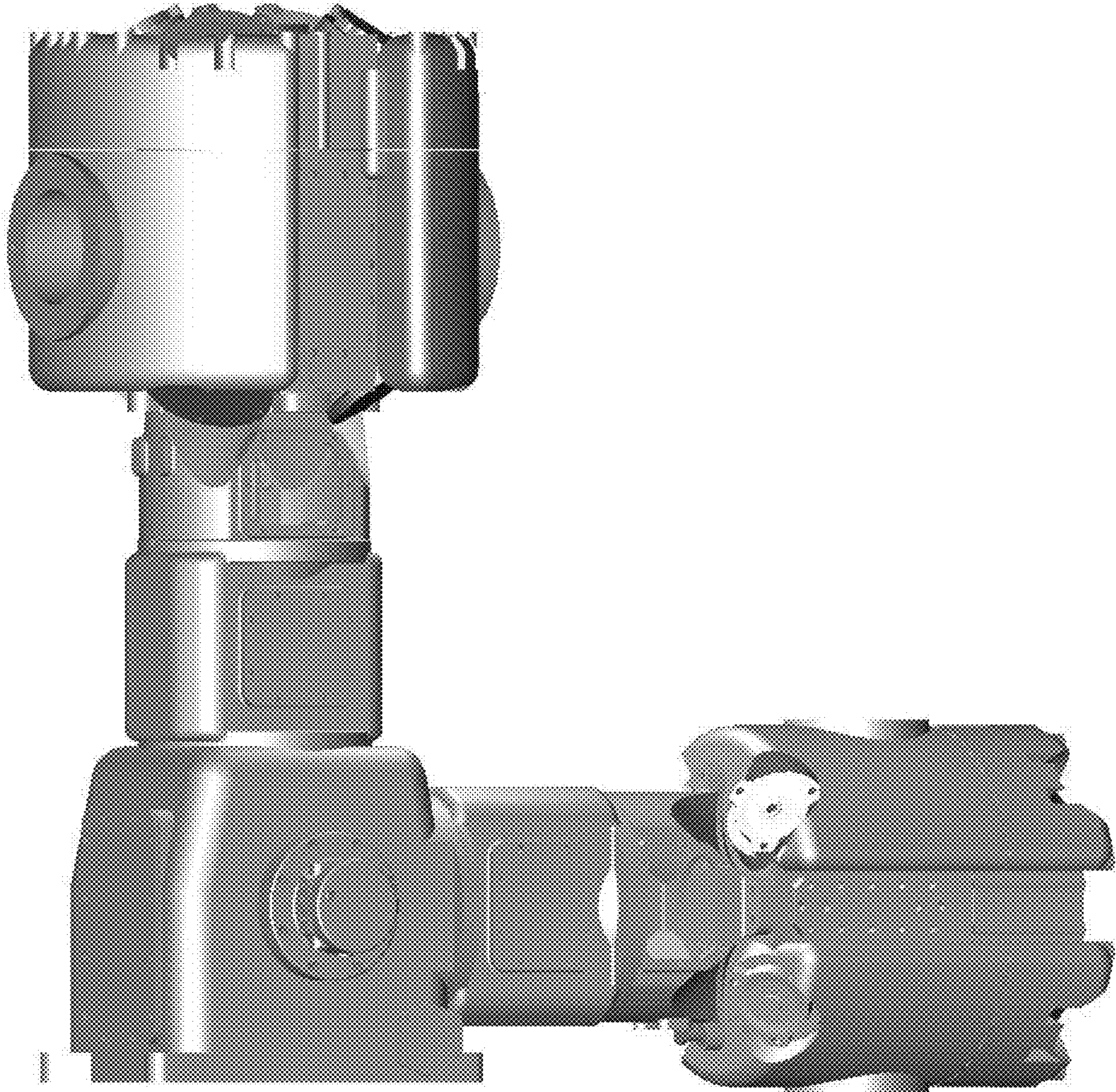
D660,322 S * 5/2012 Hsiao D15/7
 D664,996 S * 8/2012 Hsiao D15/9
 D668,268 S * 10/2012 Haener D15/9
 D680,555 S * 4/2013 Craig D15/7
 D680,556 S * 4/2013 Craig D15/7
 D691,639 S * 10/2013 Hirai D15/7
 D702,262 S * 4/2014 Magri D15/9
 D710,902 S * 8/2014 Vintzel D15/9
 D710,903 S * 8/2014 Vintzel D15/9
 D776,168 S * 1/2017 Balma D15/9
 D806,135 S * 12/2017 Wood D15/9
 D806,753 S * 1/2018 Wood D15/7
 D806,755 S * 1/2018 Wood D15/9
 D829,772 S * 10/2018 Blenkush D15/13
 D832,892 S * 11/2018 Wood D15/9
 D839,312 S * 1/2019 Bader D15/7
 2006/0275160 A1 * 12/2006 Leu F04B 35/04
 417/415
 2010/0178185 A1 * 7/2010 Leu F04B 39/123
 417/572

* cited by examiner

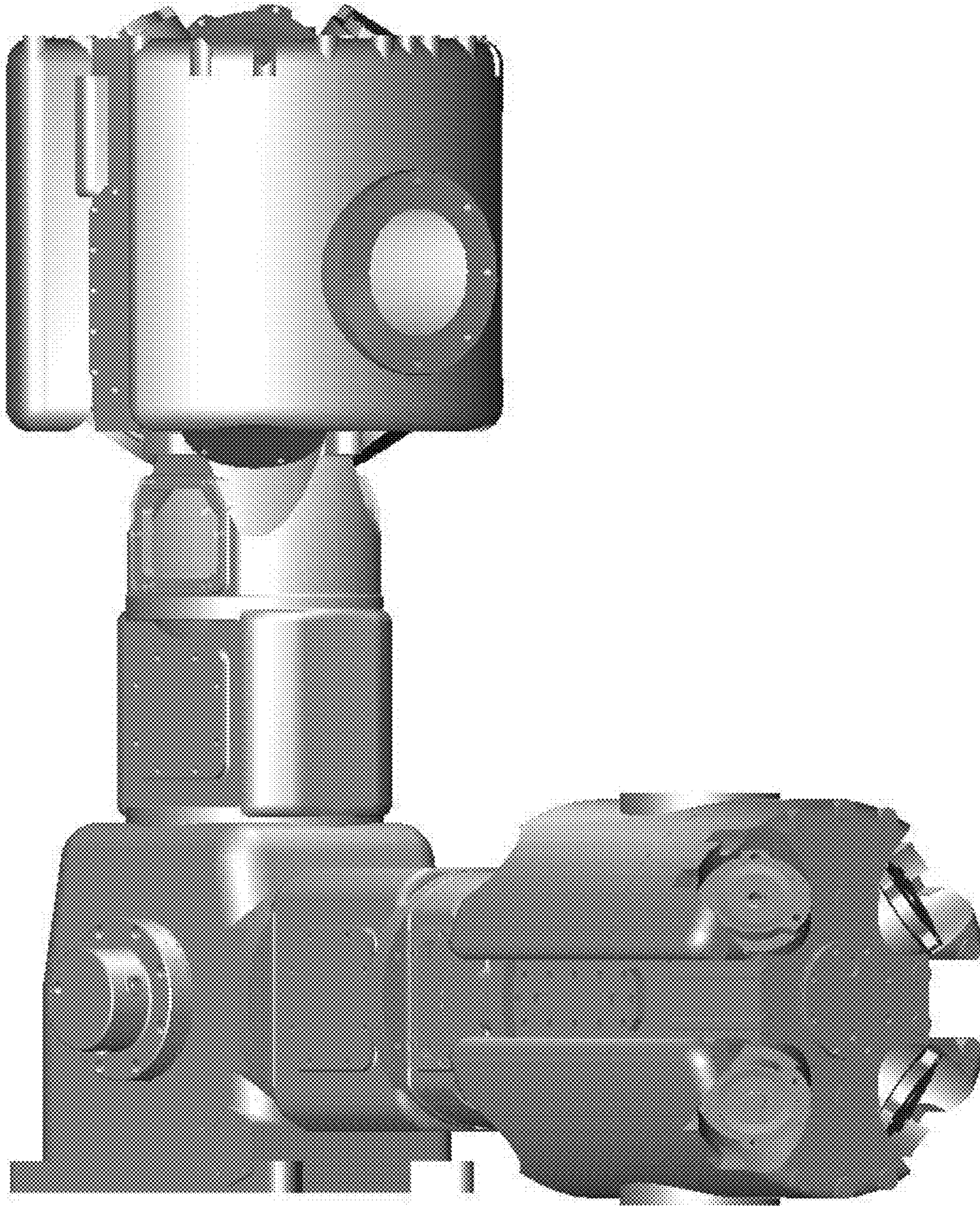
1.1



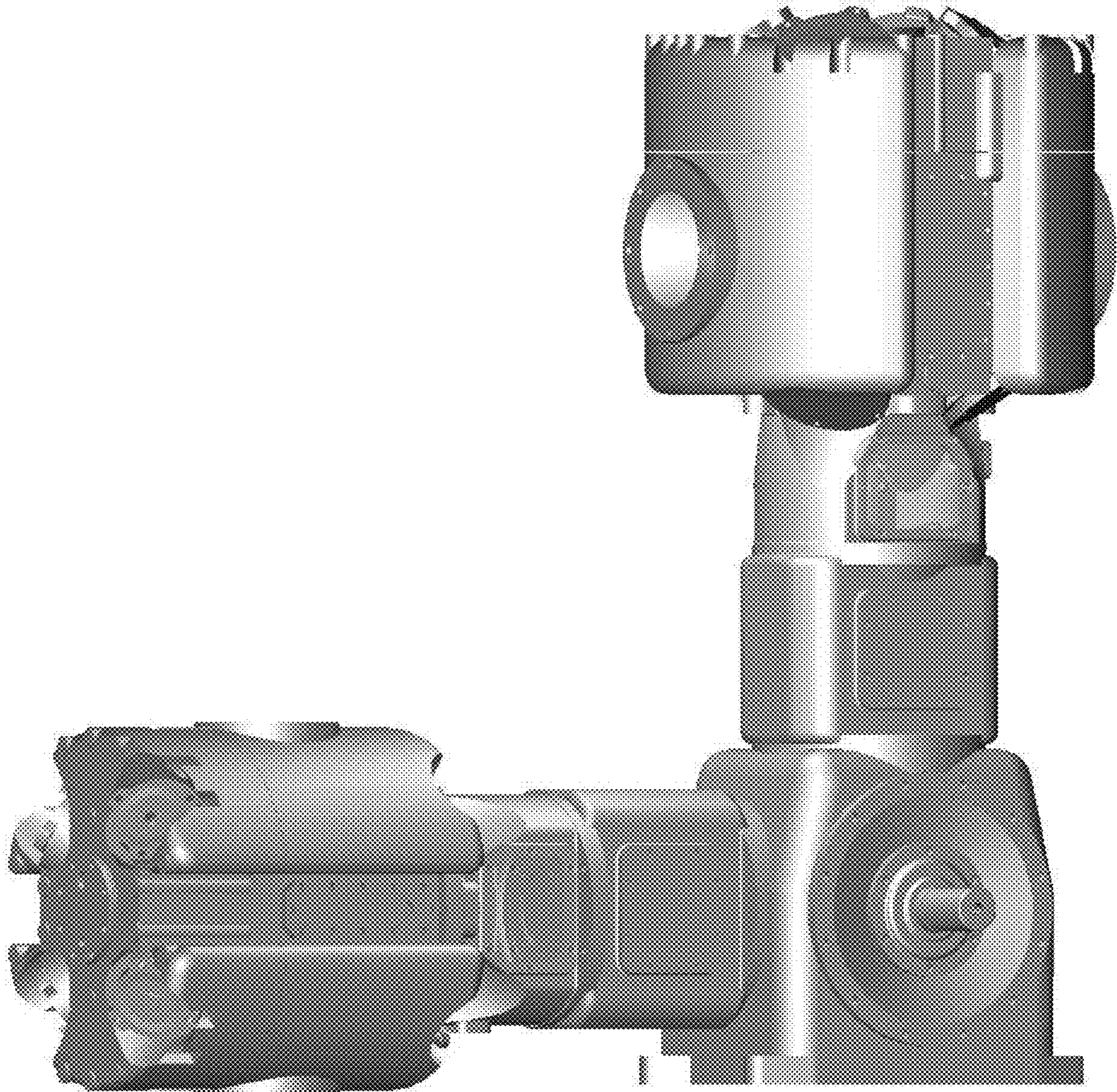
1.2



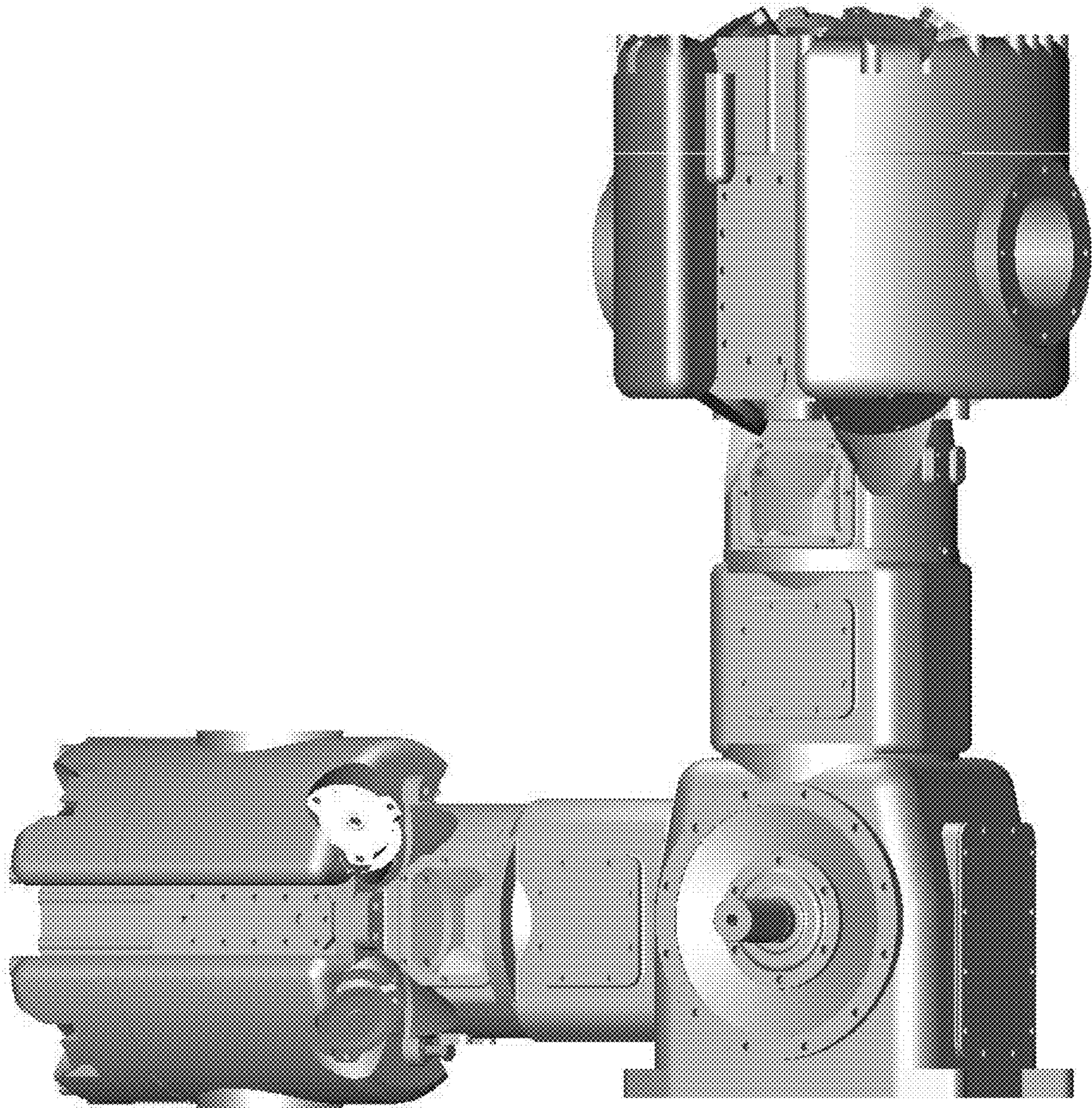
1.3



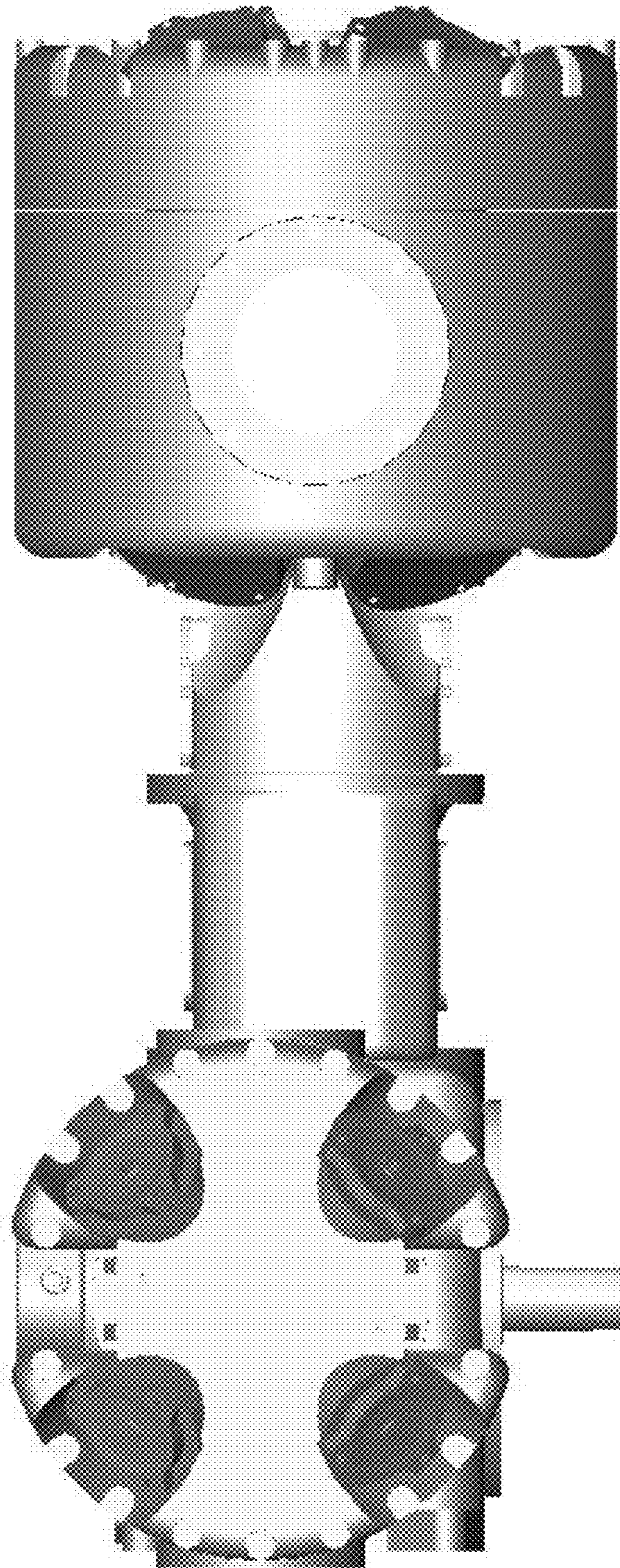
1.4



1.5



1.6



1.7

