



US00D914061S

(12) **United States Design Patent**  
**Del Aguila et al.**

(10) **Patent No.:** **US D914,061 S**  
(45) **Date of Patent:** **\*\* Mar. 23, 2021**

- (54) **HYDRAULIC PUMP**
- (71) Applicant: **LIEBHERR MACHINES BULLE SA, Bulle (CH)**
- (72) Inventors: **Marko Del Aguila, Bern (CH); Didier Angeloz, Le Paquier (CH); Jonas Lorenz, Memmingen (DE)**
- (73) Assignee: **Liebherr Machines Bulle SA, Bulle (CH)**
- (\*\*) Term: **15 Years**
- (21) Appl. No.: **29/708,325**
- (22) Filed: **Oct. 4, 2019**
- (30) **Foreign Application Priority Data**  
Apr. 5, 2019 (EP) ..... 006370334
- (51) **LOC (13) Cl.** ..... **15-02**
- (52) **U.S. Cl.**  
USPC ..... **D15/7; D13/112**
- (58) **Field of Classification Search**  
USPC ..... D13/101, 112, 113, 114, 118, 122, 184, D13/199; D15/5, 6, 7, 8, 9; D23/231, D23/225, 232  
CPC ..... F02M 37/04; F02M 37/14; F04B 1/005; F04B 1/0417; F04B 9/045; B60T 8/4022  
See application file for complete search history.

- D466,522 S \* 12/2002 Huang ..... D15/7
- 6,616,420 B2 \* 9/2003 Alaze ..... B60T 8/4022  
417/273
- D528,982 S \* 9/2006 Reverberi ..... D13/122
- D609,595 S \* 2/2010 Soderstrom ..... D15/7
- D667,372 S \* 9/2012 Lannoch ..... D13/112
- D713,860 S \* 9/2014 Pedrollo ..... D15/7
- D778,836 S \* 2/2017 Schieck ..... D13/112
- D854,498 S \* 7/2019 Ebner ..... D13/112

**OTHER PUBLICATIONS**

Aguila, M. et al., "LH30," U.S. Appl. No. 29/708,326, filed Oct. 4, 2019, 9 pages.

\* cited by examiner

*Primary Examiner* — Derrick E Holland  
(74) *Attorney, Agent, or Firm* — McCoy Russell LLP

(57) **CLAIM**

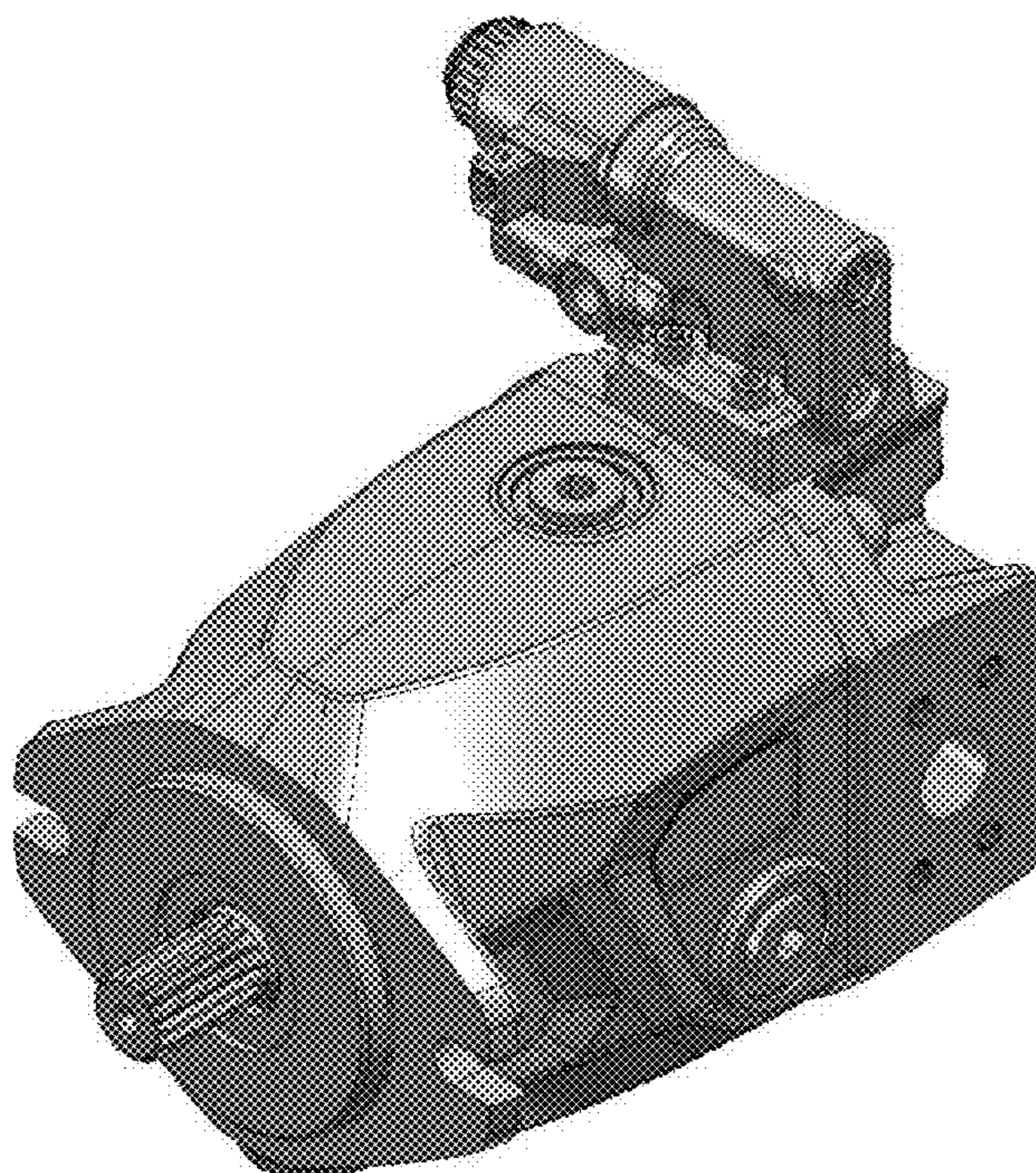
The ornamental design for a hydraulic pump, as shown and described.

**DESCRIPTION**

FIG. 1 is a front view of a hydraulic pump according to the claimed design.  
FIG. 2 is a rear view of the hydraulic pump.  
FIG. 3 is a right side view of the hydraulic pump.  
FIG. 4 is a bottom view of the hydraulic pump.  
FIG. 5 is a left side view of the hydraulic pump.  
FIG. 6 is a top view of the hydraulic pump; and,  
FIG. 7 is a front-left perspective view of the hydraulic pump.

**1 Claim, 7 Drawing Sheets**

- (56) **References Cited**  
U.S. PATENT DOCUMENTS  
D283,224 S \* 4/1986 Lametto ..... D15/7  
D294,266 S \* 2/1988 Dudeck ..... D15/7



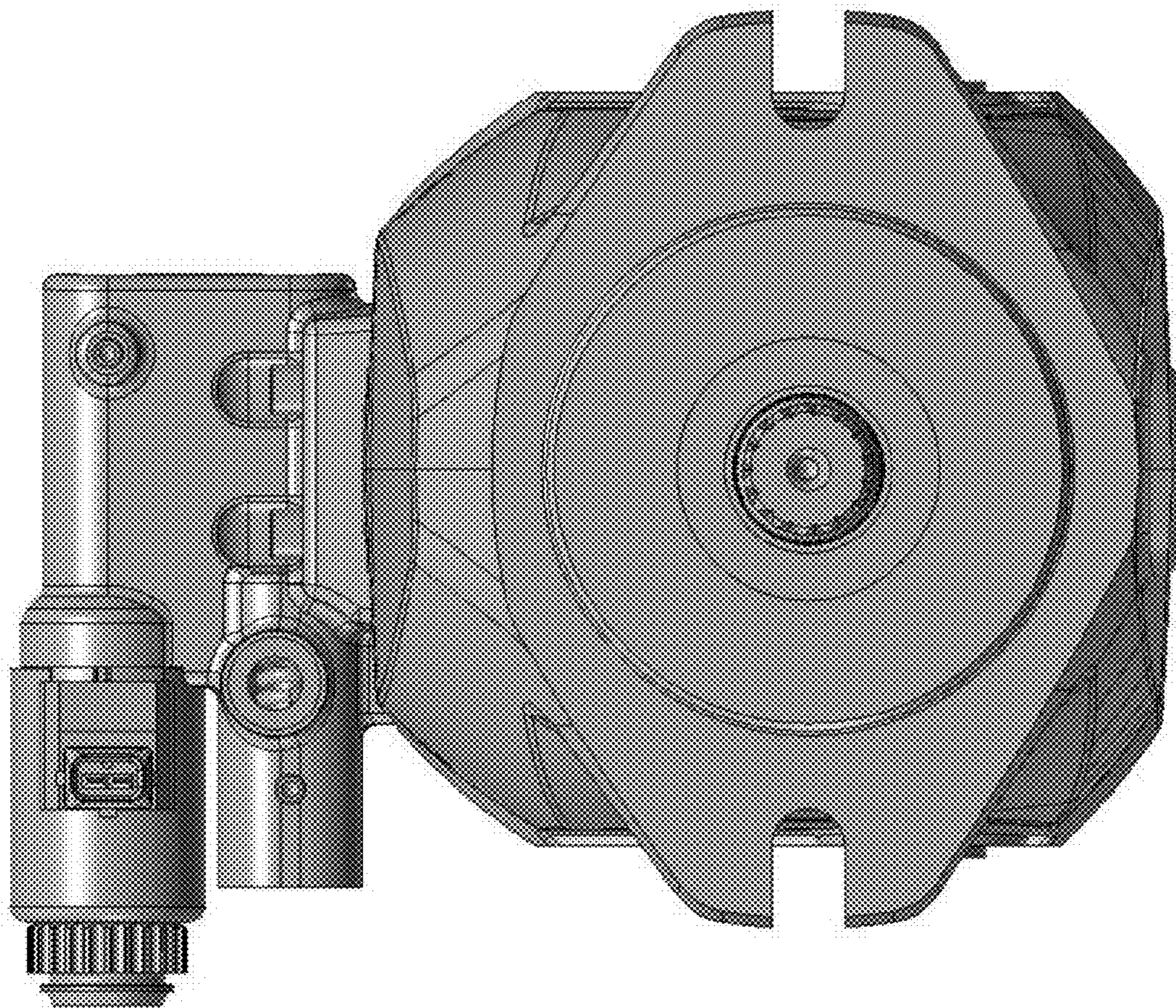


FIG. 1

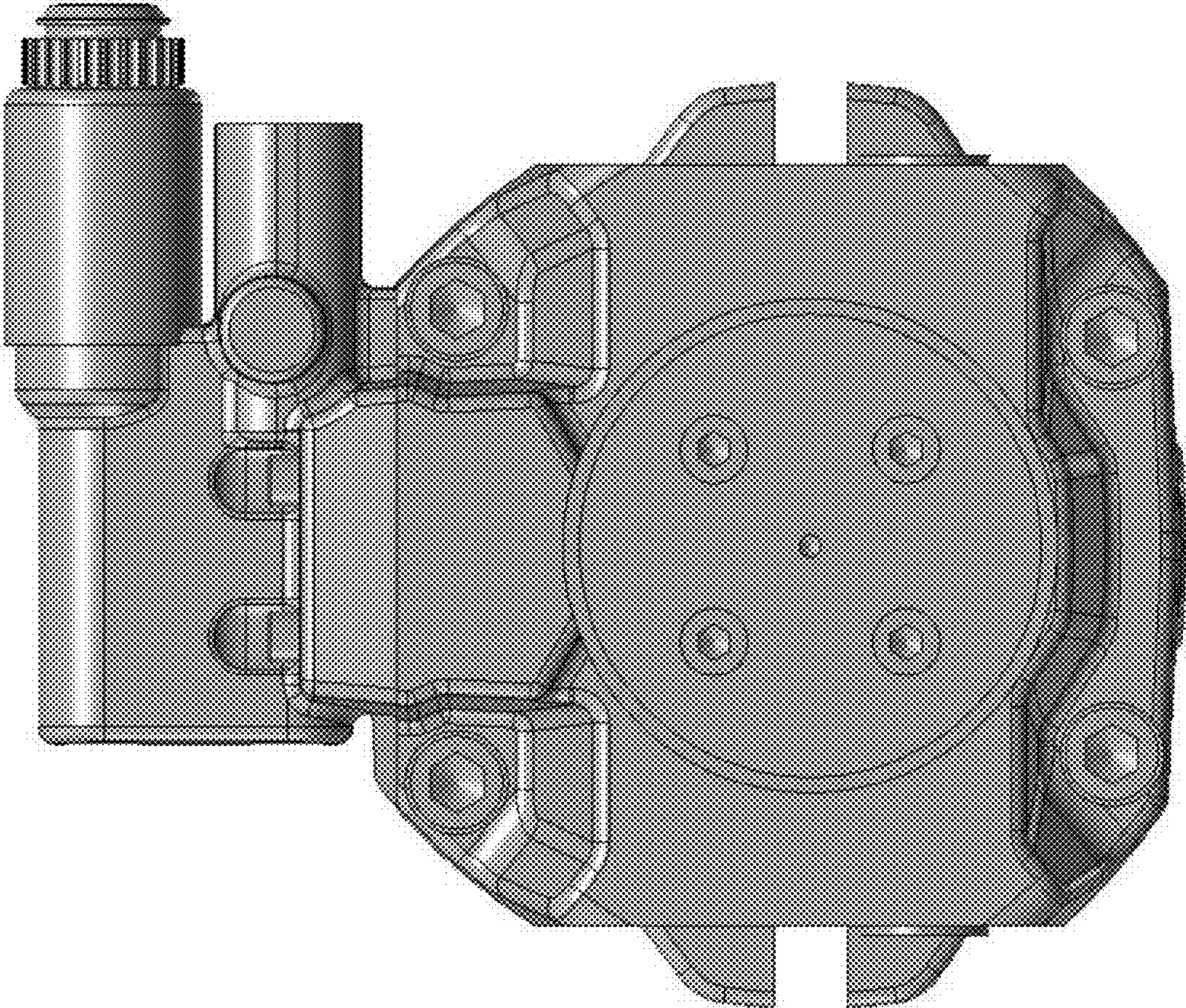


FIG. 2

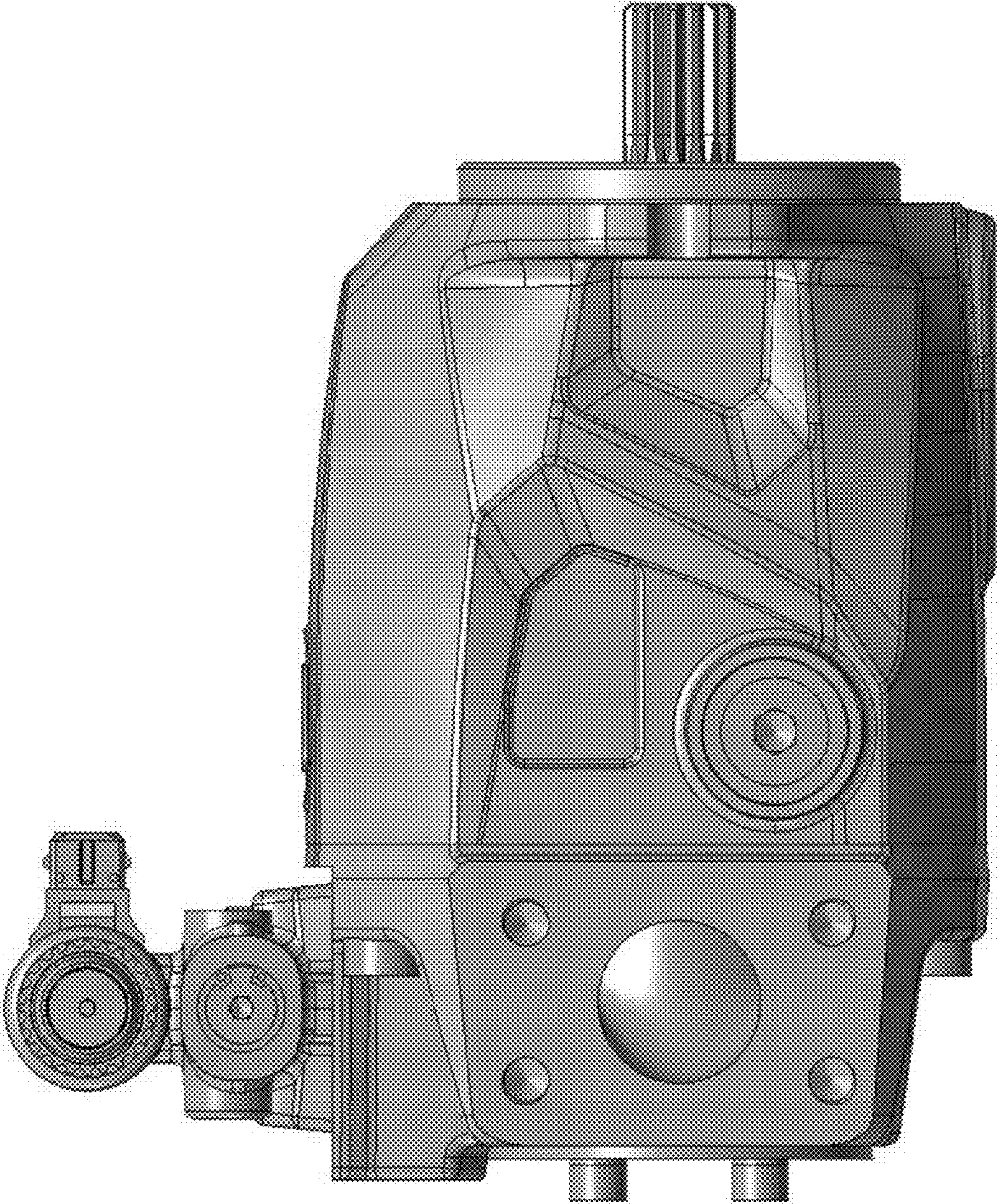


FIG. 3

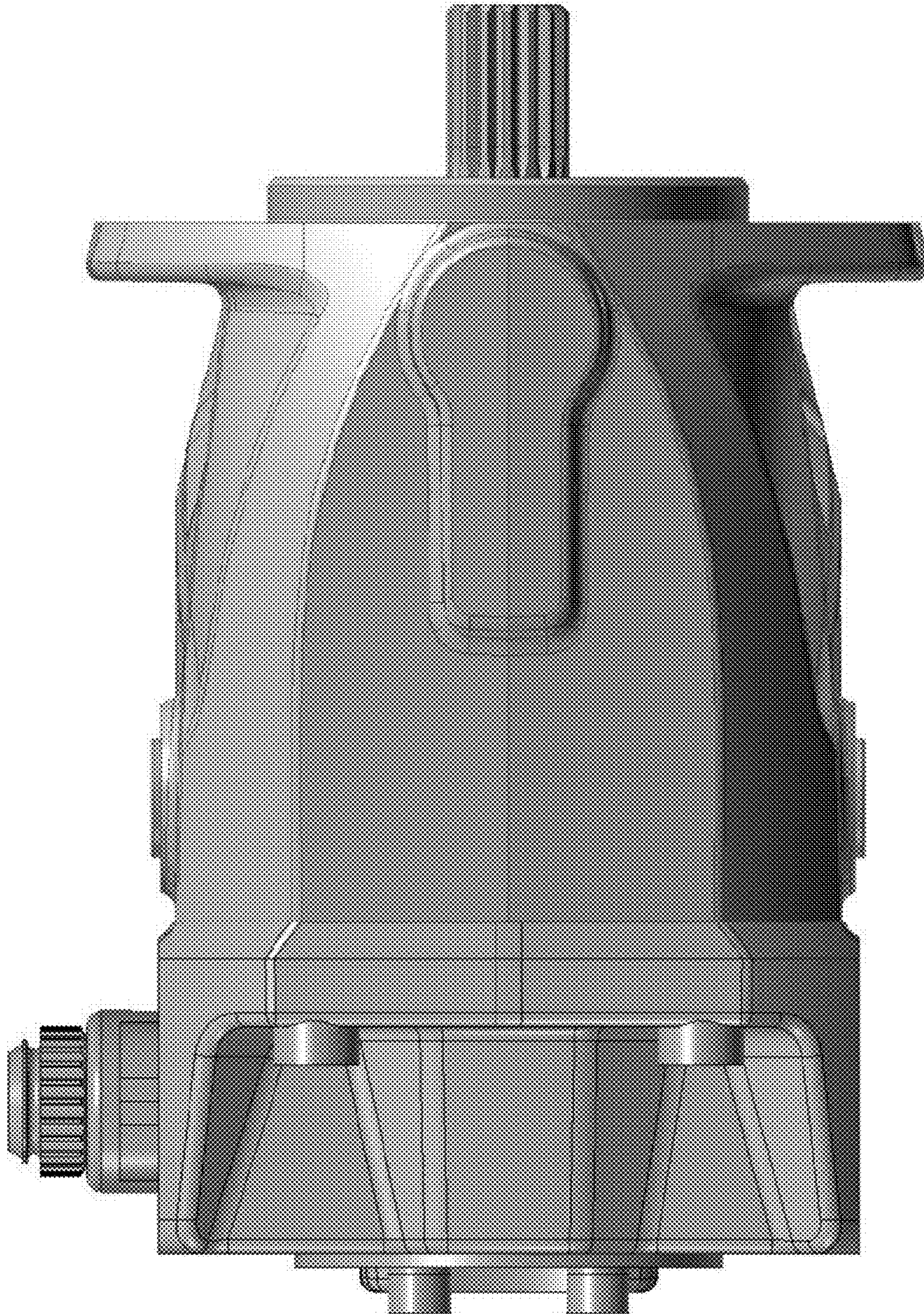


FIG. 4

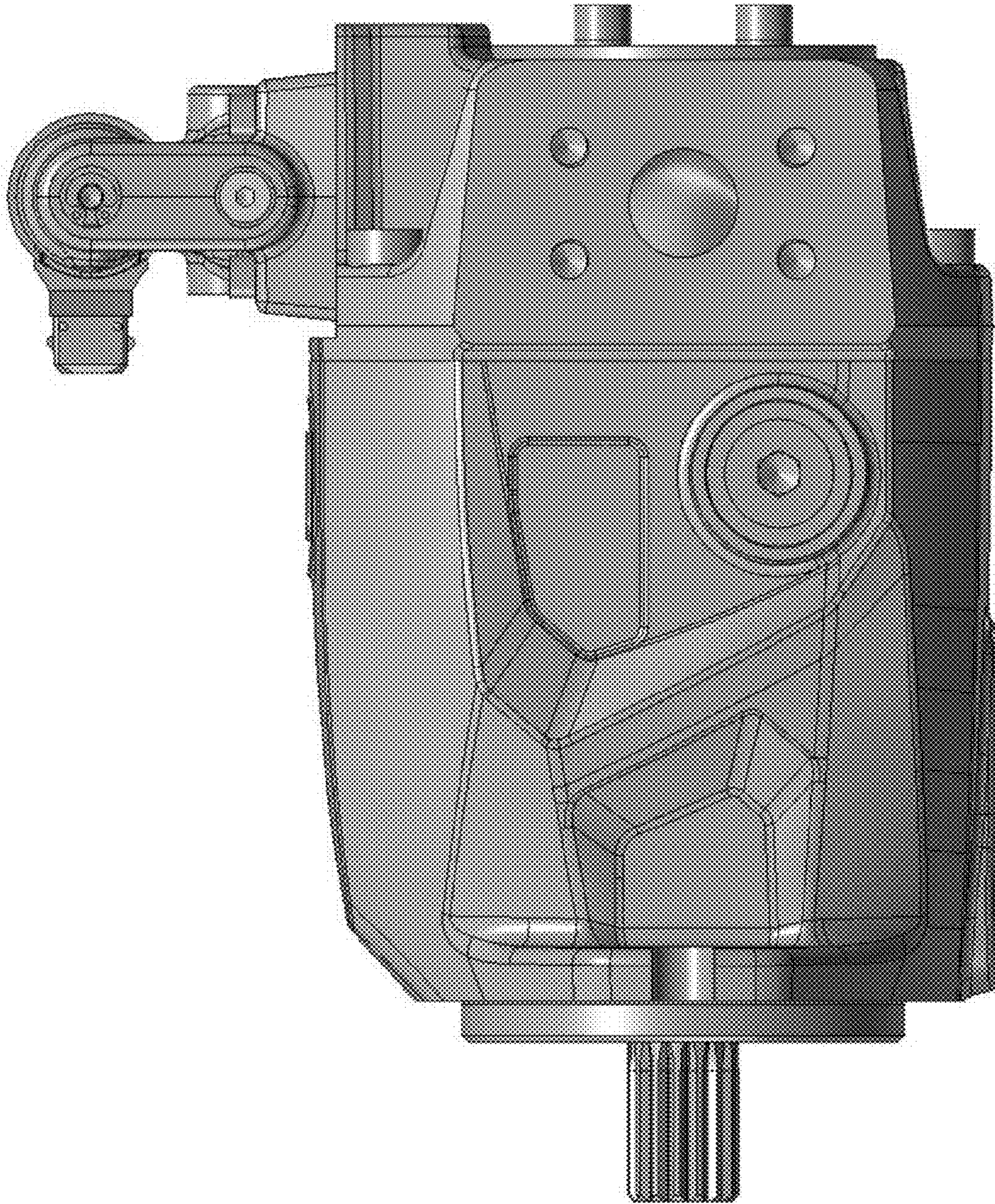


FIG. 5

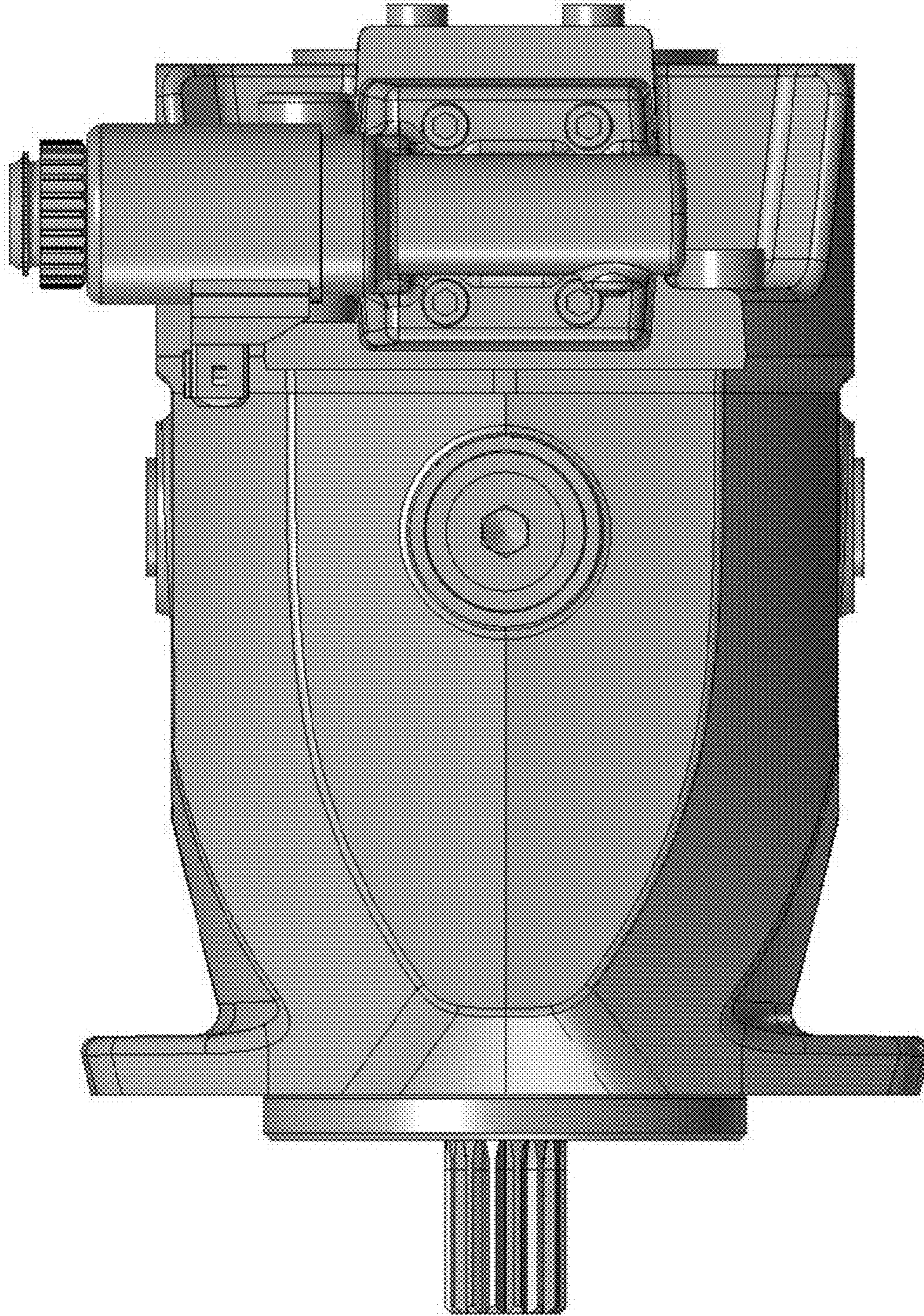


FIG. 6

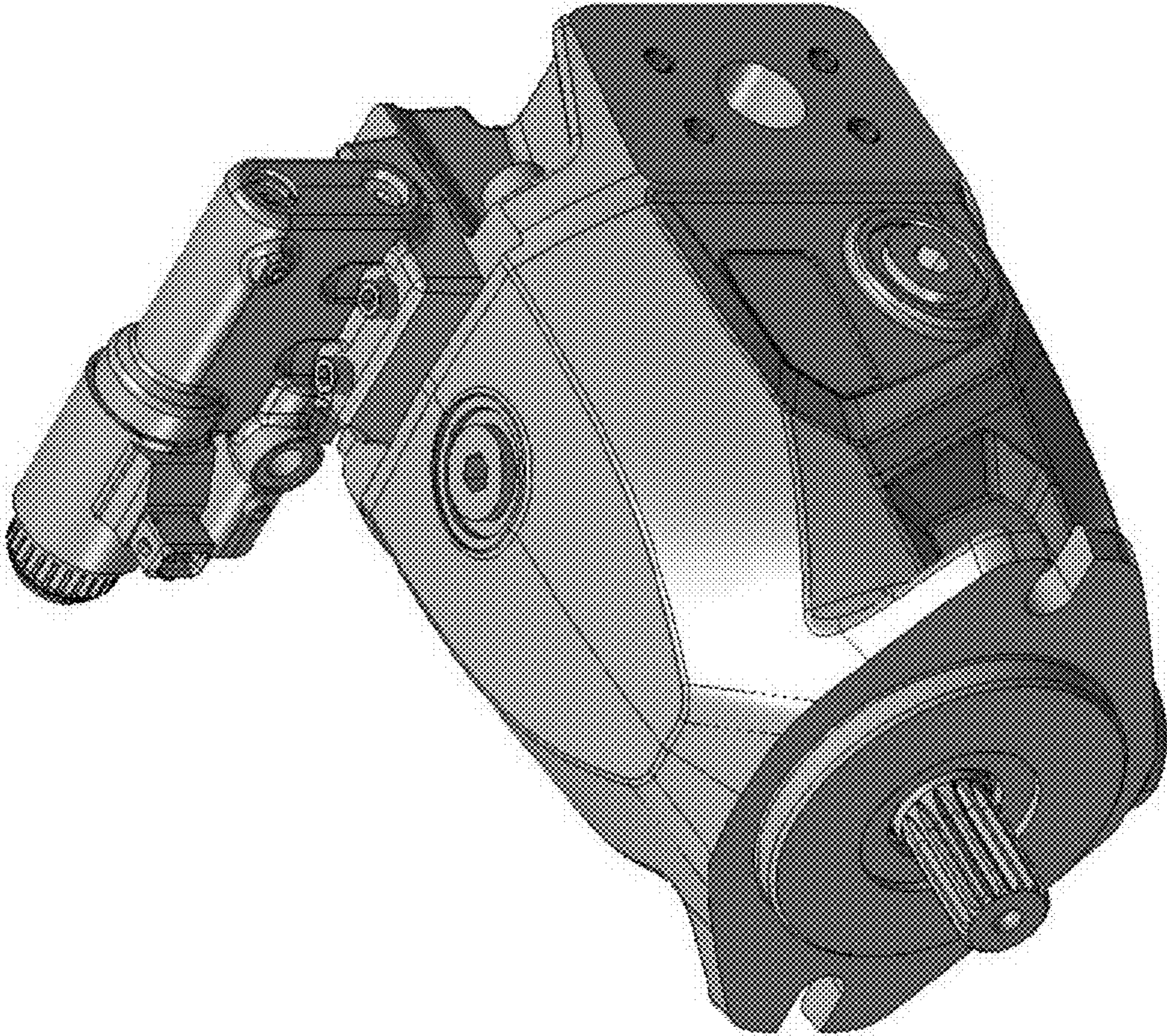


FIG. 7