



US00D914059S

(12) **United States Design Patent**
Downey

(10) **Patent No.:** **US D914,059 S**
(45) **Date of Patent:** **** Mar. 23, 2021**

(54) **TROLLING MOTOR MOUNT**
(71) Applicant: **Brunswick Corporation**, Mettawa, IL (US)
(72) Inventor: **Kevin T. Downey**, Rockford, MI (US)
(73) Assignee: **Brunswick Corporation**, Mettawa, IL (US)
(**) Term: **15 Years**

5,395,271 A 3/1995 Tyler
D552,130 S * 10/2007 Steinberg D15/4
7,285,029 B1 10/2007 Janitz
D594,034 S 6/2009 Bernloehr et al.
9,783,278 B1 10/2017 Dannenberg et al.
D806,752 S * 1/2018 Vaninetti D15/4
D886,865 S 6/2020 Bailey
10,696,367 B1 * 6/2020 Ingebritson B63H 20/12
2005/0255761 A1 11/2005 Bernloehr et al.
2010/0116967 A1 5/2010 Todd et al.
2016/0001865 A1 1/2016 Bernloehr et al.

* cited by examiner

(21) Appl. No.: **29/755,909**

Primary Examiner — Ania Aman

(22) Filed: **Oct. 23, 2020**

(74) *Attorney, Agent, or Firm* — Andrus Intellectual Property Law, LLP

Related U.S. Application Data

(62) Division of application No. 29/697,007, filed on Jul. 3, 2019.

(51) **LOC (13) Cl.** **15-01**

(52) **U.S. Cl.**
USPC **D15/4**

(58) **Field of Classification Search**
USPC D15/4, 5
CPC B63H 21/213; B63H 21/00; B63H 21/22;
B63H 20/007; B63H 20/00; B63H 20/10;
B63H 20/12; B63H 25/42
See application file for complete search history.

(56) **References Cited**

U.S. PATENT DOCUMENTS

D304,947 S 12/1989 Reynolds
D343,625 S 1/1994 Walthall

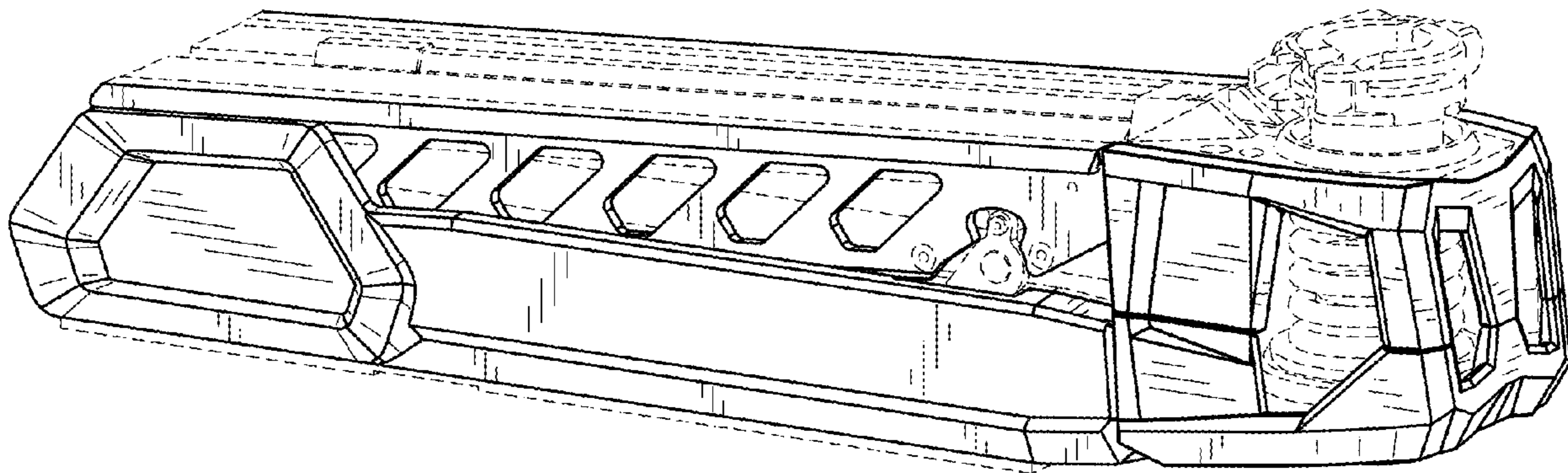
(57) **CLAIM**

The ornamental design for a trolling motor mount, as shown and described.

DESCRIPTION

FIG. 1 is a right perspective view of a trolling motor mount according to my new and ornamental design; FIG. 2 is a right side elevation view thereof; FIG. 3 is a left side elevation view thereof; FIG. 4 is a rear elevation view thereof; FIG. 5 is a front elevation view thereof; FIG. 6 is a top plan view thereof; and, FIG. 7 is a bottom plan view thereof. The portions of the trolling motor mount shown in broken lines form no part of the claimed design.

1 Claim, 6 Drawing Sheets



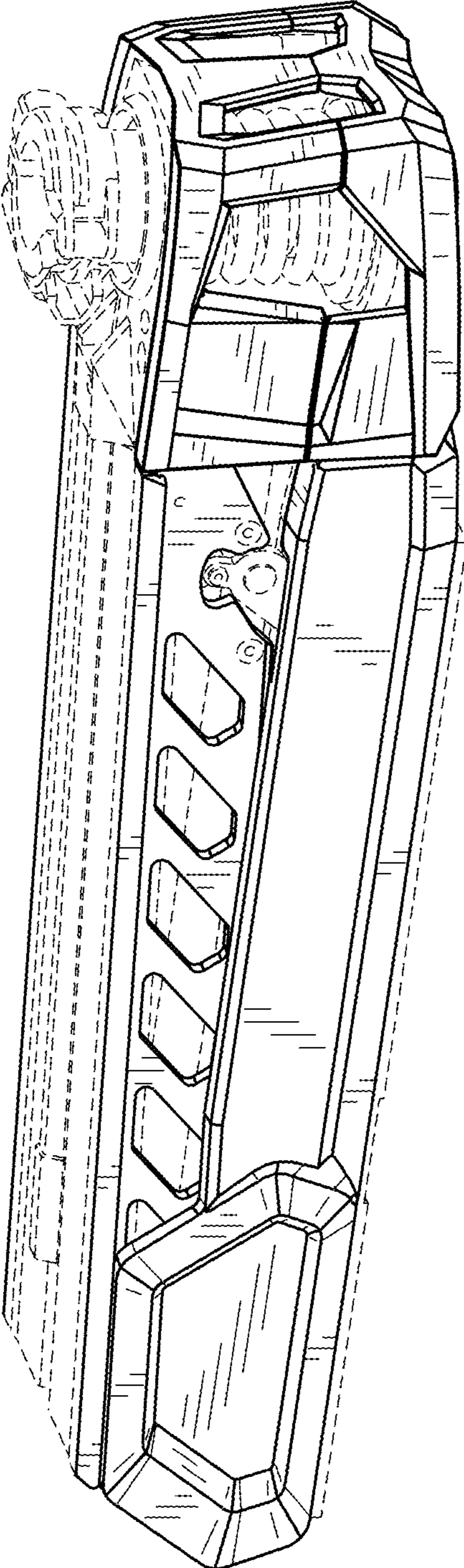


FIG. 1

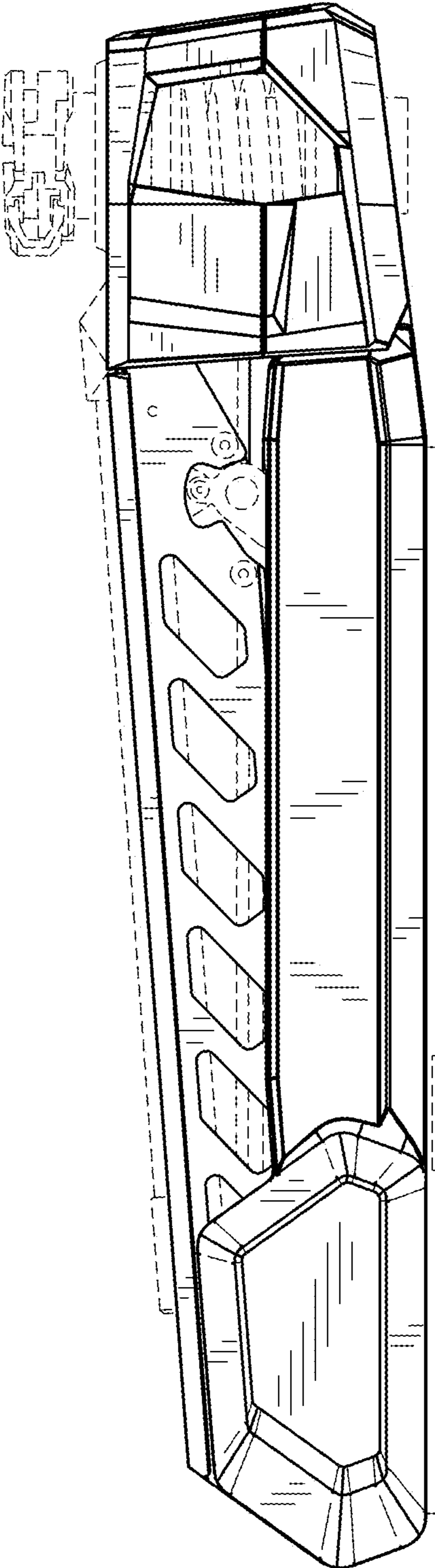


FIG. 2

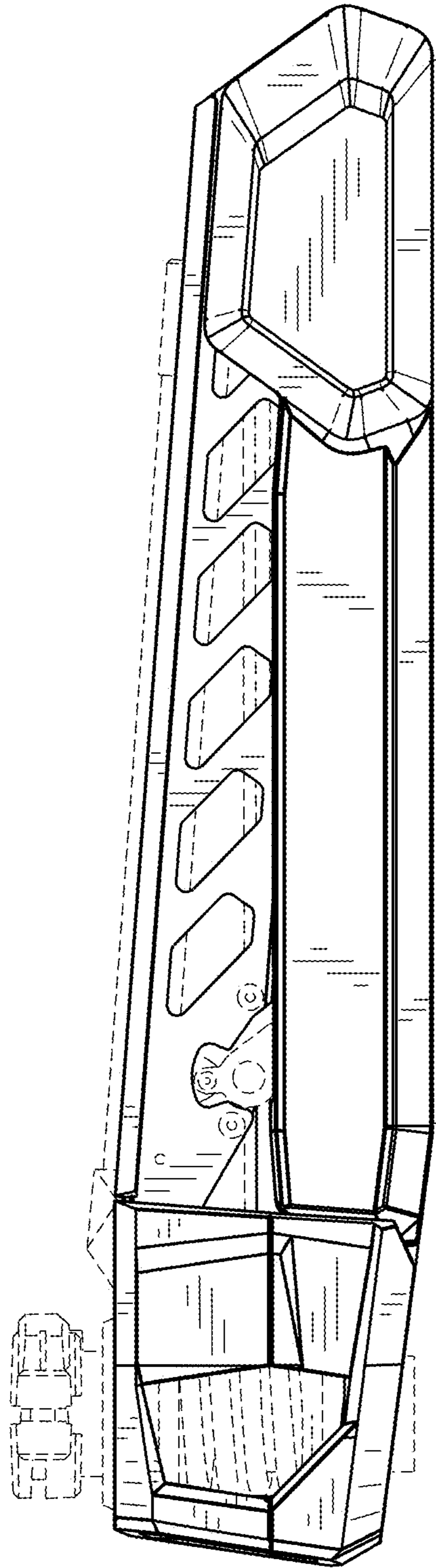


FIG. 3

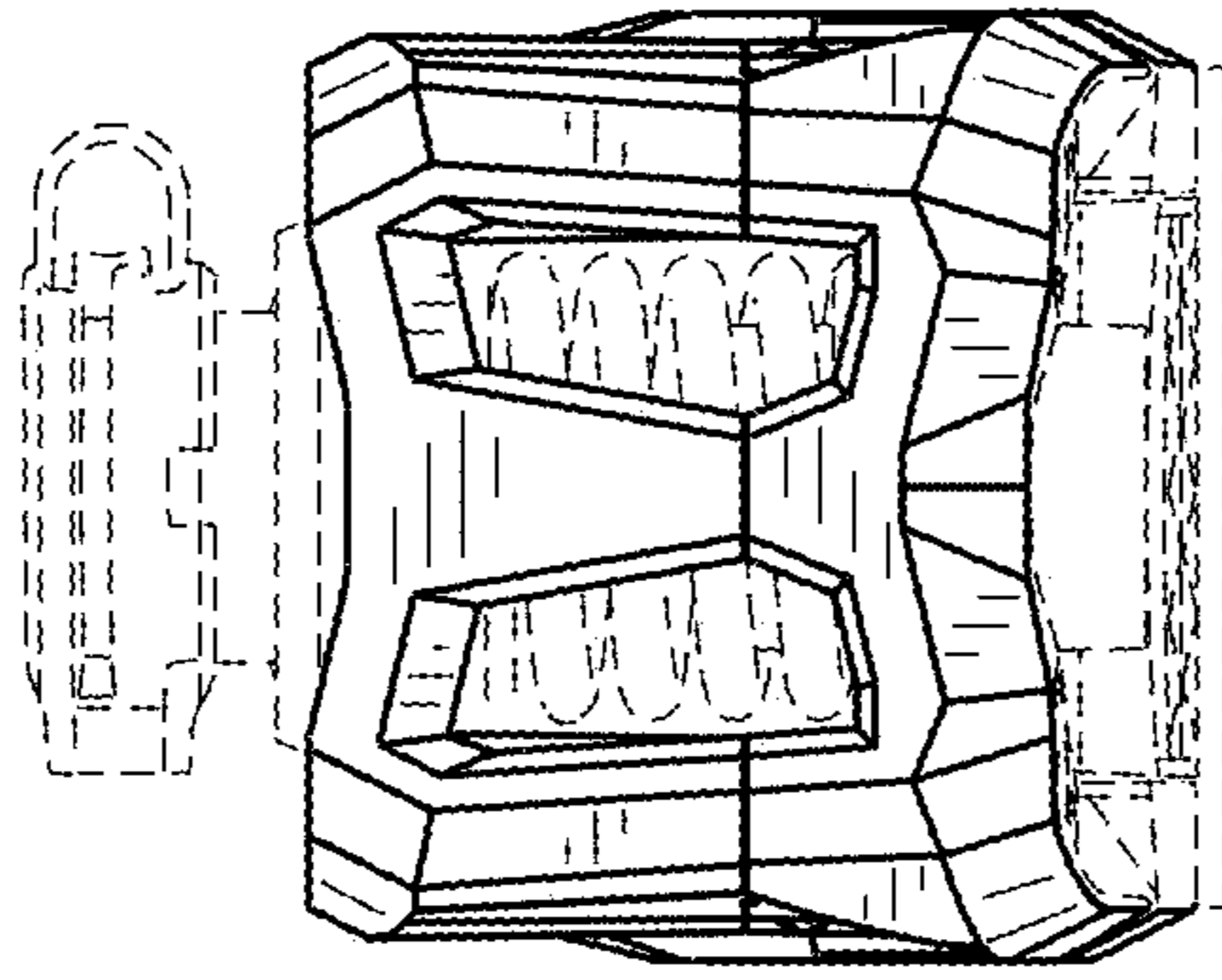


FIG. 5

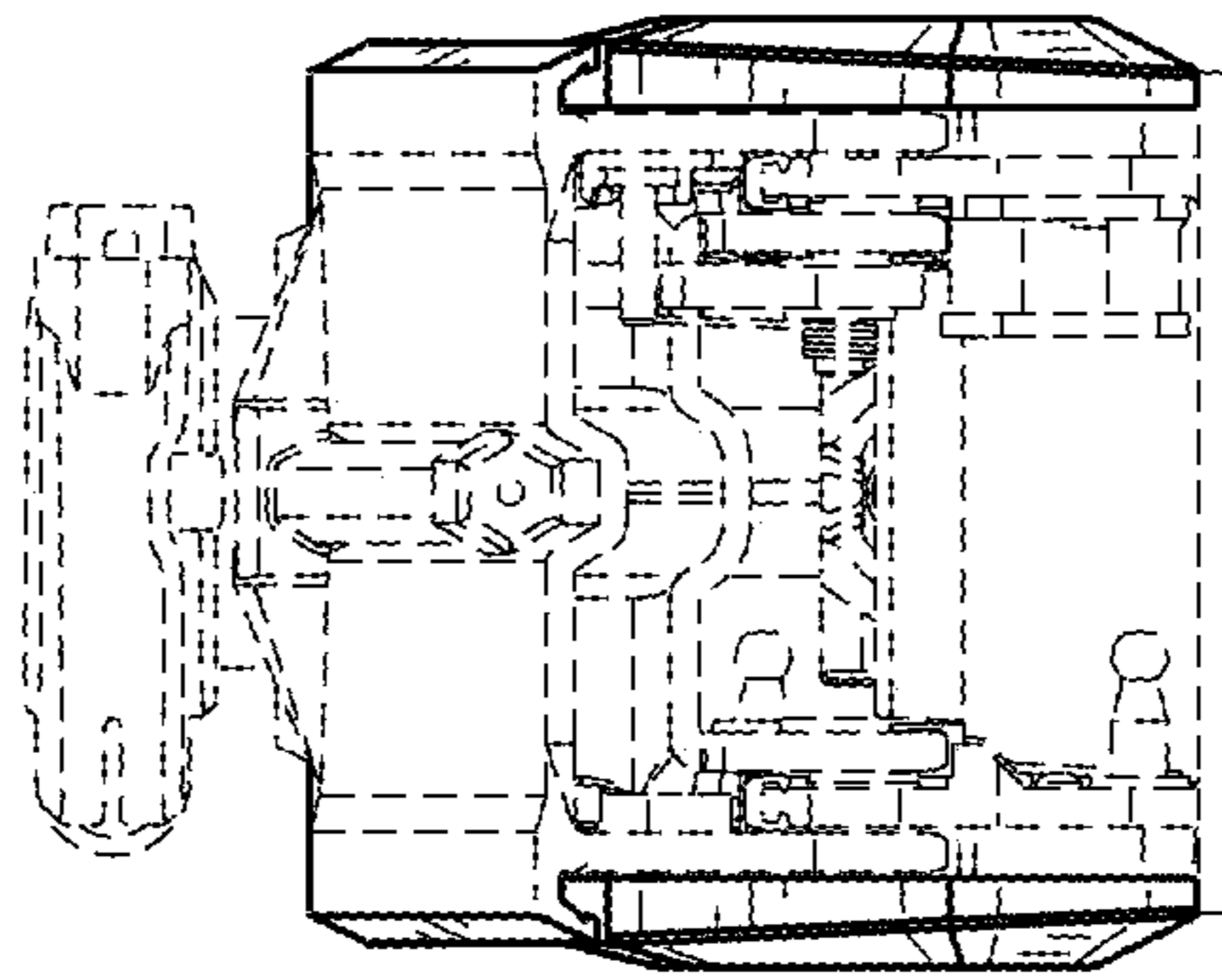


FIG. 4

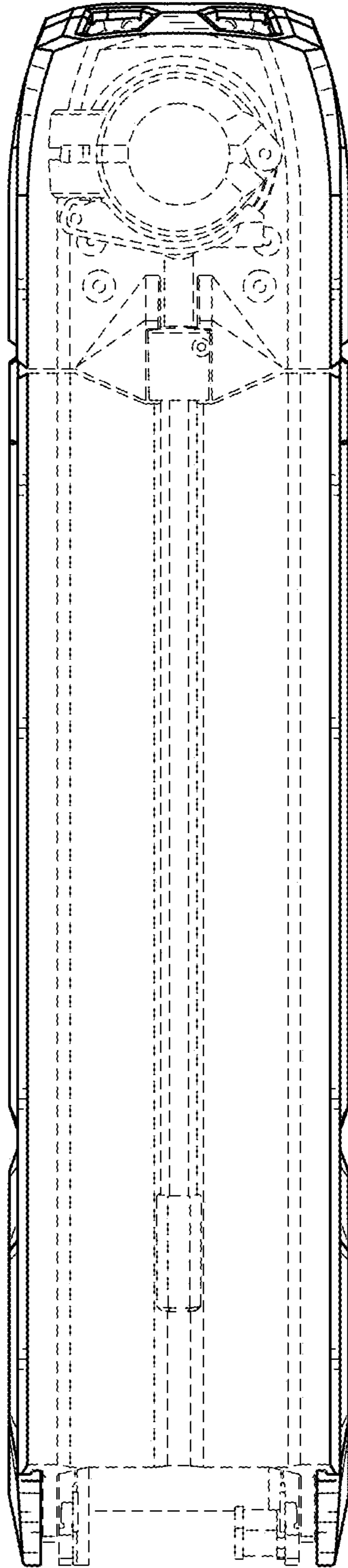


FIG. 6

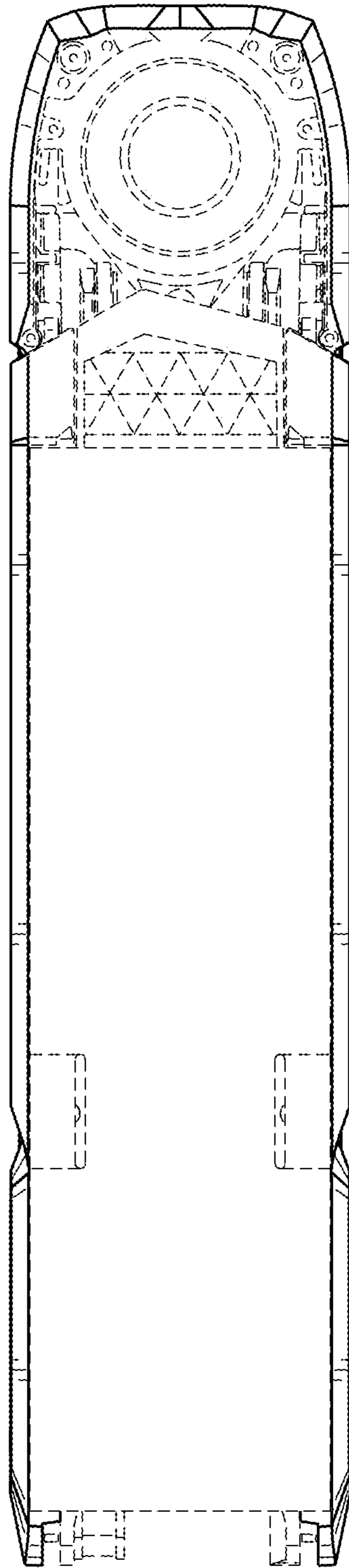


FIG. 7