



US00D914051S

(12) **United States Design Patent**
Paul

(10) **Patent No.:** **US D914,051 S**
(45) **Date of Patent:** **** Mar. 23, 2021**

(54) **DISPLAY SCREEN WITH AN ANIMATED GRAPHICAL USER INTERFACE**

D596,646 S 7/2009 Wani
7,636,889 B2 * 12/2009 Weber G06F 3/0482
345/672

(71) Applicant: **Facebook, Inc.**, Menlo Park, CA (US)

D608,366 S 1/2010 Matas

D620,949 S 8/2010 Loken

(72) Inventor: **Debashish Paul**, Sunnyvale, CA (US)

D631,888 S 2/2011 Vance et al.

D637,604 S * 5/2011 Brinda D14/488

(73) Assignee: **Facebook, Inc.**, Menlo Park, CA (US)

(Continued)

(**) Term: **15 Years**

OTHER PUBLICATIONS

(21) Appl. No.: **29/688,456**

Notice of Allowance received for U.S. Appl. No. 16/425,908 dated Jan. 15, 2020, 22 pages.

(22) Filed: **Apr. 22, 2019**

(Continued)

(51) **LOC (13) Cl.** **14-04**

Primary Examiner — Cary M Robinson

(52) **U.S. Cl.**

(74) *Attorney, Agent, or Firm* — FisherBroyles, LLP

USPC **D14/487**; D14/491

(58) **Field of Classification Search**

(57) **CLAIM**

USPC D14/485–495; 345/1.1, 1.2, 2.1–2.3, 3.1,
345/902; 715/763, 810, 836, 837, 846,
715/847, 977

The ornamental design for a graphical user interface for an animated display screen, as shown and described.

CPC B60K 37/00; G04B 37/1486; G04B 45/00;
G04B 45/0069; G06F 3/0481; G06F
3/04845; G06F 3/04817; G06F 17/212;

DESCRIPTION

G06F 19/3406; G06F 3/048–04897; G06F
3/013; G06F 3/017; G06F 3/165; G06F
3/197; G06T 13/80; G06T 15/02; G06Q
10/10; H04M 1/6075; H04M 3/567;

FIG. 1 is a front view of a first image in a sequence for a display screen with an animated graphical user interface showing the claimed design; and, FIG. 2 is a front view of a second image thereof.

H04M 1/2477; H04M 1/26; H04M
1/274582; H04L 12/581; H04L 12/813;
H04L 12/1813; H04N 7/16

The appearance of the transitional image sequentially transitions between the images shown in FIGS. 1 and 2. The process or period in which one image transitions to another forms no part of the claimed design.

See application file for complete search history.

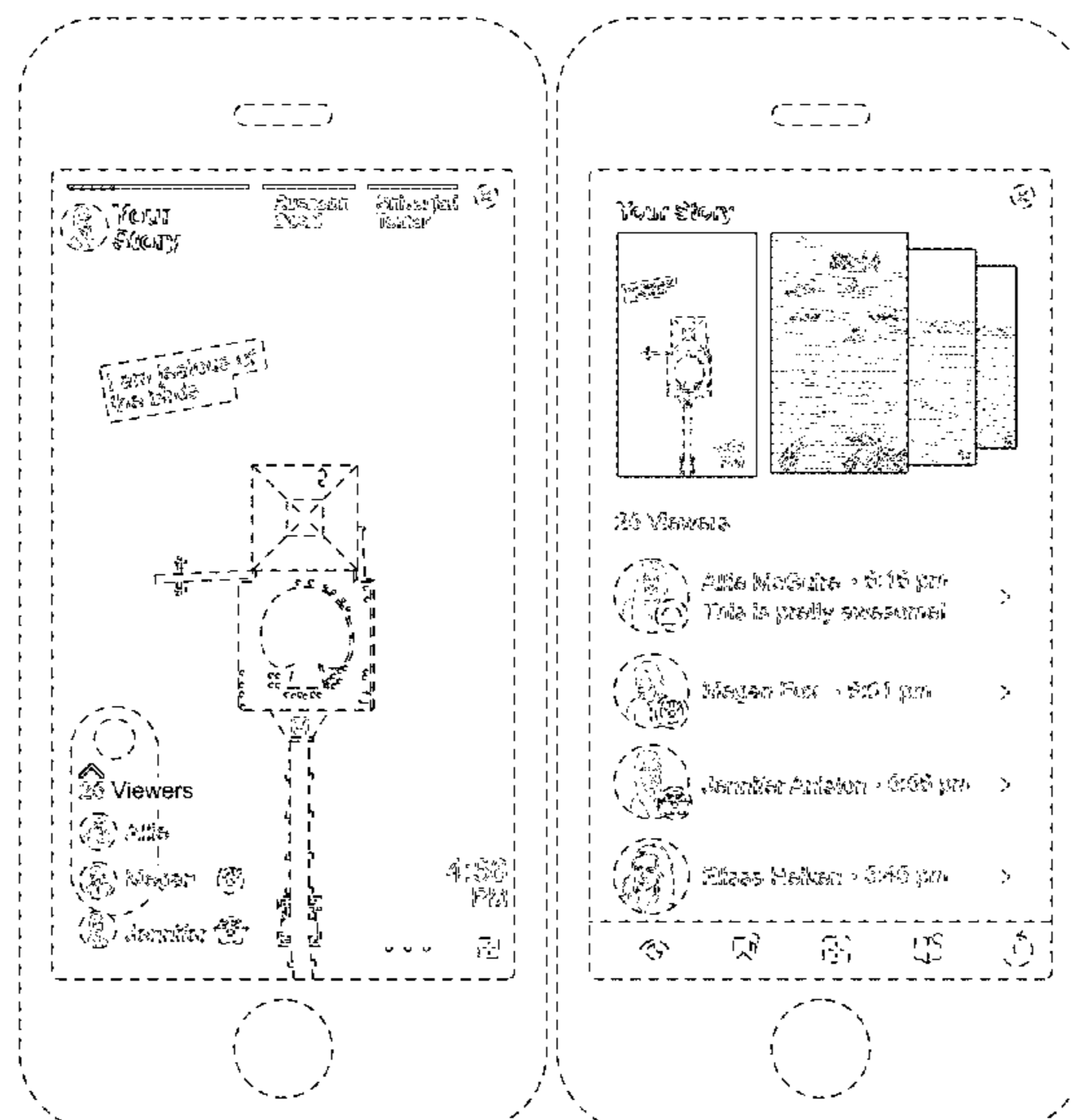
The outermost broken lines, including the outer broken line showing of rounded shapes, illustrate an electronic device and forms no part of the claimed design. The broken line at the perimeter of the figures illustrates a display screen and forms no part of the claimed design. The remaining broken lines, including the closely spaced broken lines showing text and icons, illustrate portions of the animated graphical user interface that form no part of the claimed design.

(56) **References Cited**

1 Claim, 2 Drawing Sheets

U.S. PATENT DOCUMENTS

D341,848 S 11/1993 Bigelow et al.
D491,955 S 6/2004 Ordning et al.
D556,768 S * 12/2007 Morris D14/487
D568,333 S 5/2008 Okaro et al.
D575,792 S 8/2008 Benson
D596,192 S 7/2009 Shotel



(56)

References Cited

U.S. PATENT DOCUMENTS

- D637,606 S * 5/2011 Luke D14/488
8,136,039 B2 3/2012 Ebrom et al.
8,147,251 B1 4/2012 Anson
8,230,343 B2 7/2012 Logan et al.
D671,127 S 11/2012 Woo et al.
D671,552 S 11/2012 Mori et al.
D673,166 S 12/2012 Mori et al.
D682,307 S 5/2013 Donahue et al.
D687,062 S 7/2013 Gardner et al.
D692,450 S 10/2013 Convay et al.
D696,263 S 12/2013 Ray et al.
D698,686 S 2/2014 Saikawa et al.
D698,813 S * 2/2014 Brown D14/488
D707,706 S 6/2014 Cranfill et al.
8,823,654 B2 9/2014 Jeong et al.
D717,816 S 11/2014 Zuckerberg et al.
D723,584 S 3/2015 Van Slembrouck
D726,197 S 4/2015 Kim et al.
D727,941 S 4/2015 Angelides
D729,271 S 5/2015 Zhang et al.
D739,413 S 9/2015 Shin et al.
D739,866 S 9/2015 Urdan et al.
D740,849 S 10/2015 Zou
D741,355 S 10/2015 Zou
D750,661 S 3/2016 Funnell, II et al.
D753,699 S * 4/2016 Tsukamoto D14/487
D756,396 S 5/2016 Anzures et al.
D760,243 S 6/2016 Ostrowski et al.
9,361,322 B1 6/2016 Dutta et al.
D760,782 S 7/2016 Kendler et al.
D761,845 S * 7/2016 Haitani D14/488
D763,881 S 8/2016 Smith et al.
9,424,881 B2 8/2016 Casagrande
D766,308 S * 9/2016 Park D14/487
D769,295 S 10/2016 Han et al.
D771,111 S 11/2016 Roberts et al.
D772,930 S 11/2016 Vazquez et al.
D774,051 S 12/2016 Hart et al.
9,529,492 B2 12/2016 Cho et al.
D777,768 S * 1/2017 Persson D14/487
D778,310 S 2/2017 Roberts et al.
D778,311 S * 2/2017 Denis D14/487
D783,658 S 4/2017 Hurst et al.
9,641,898 B2 5/2017 Bloch et al.
D791,164 S 7/2017 Rice et al.
D794,651 S 8/2017 Cavander et al.
9,727,927 B2 8/2017 Juan et al.
D800,762 S 10/2017 Aoshima
D801,992 S 11/2017 Fischbach
D804,509 S 12/2017 Hurst et al.
D804,510 S 12/2017 Federighi et al.
D805,097 S 12/2017 Chaudhri et al.
D805,543 S 12/2017 Baker
D809,001 S 1/2018 Funnell, II et al.
D812,641 S 3/2018 Walkin
D814,504 S 4/2018 Lee et al.
9,936,184 B2 4/2018 Kaiser et al.
D820,857 S 6/2018 Sutton et al.
D822,702 S 7/2018 Gandhi et al.
D823,333 S 7/2018 Hiratsuka et al.
D824,944 S 8/2018 Sagrillo et al.
D824,945 S 8/2018 Sagrillo et al.
D830,406 S 10/2018 Baldi et al.
D831,065 S 10/2018 Walkin et al.
D832,299 S 10/2018 Lamperti et al.
D833,465 S 11/2018 Vairamohan
10,140,650 B2 11/2018 Roberts et al.
D836,121 S 12/2018 Leong et al.
10,226,200 B2 3/2019 Vassallo et al.
D845,991 S 4/2019 Kessler et al.
D846,587 S 4/2019 Behzadi et al.
D847,850 S 5/2019 Kim et al.
D849,769 S 5/2019 Matas
D852,216 S 6/2019 Westerhold et al.
D852,832 S 7/2019 Westerhold et al.
D854,042 S 7/2019 Sagrillo et al.
10,348,658 B2 7/2019 Rodriguez et al.
D859,446 S 9/2019 Westerhold et al.
D861,715 S 10/2019 Haile et al.
D863,333 S 10/2019 Westerhold et al.
D864,994 S 10/2019 Cornell
D865,794 S 11/2019 Lee et al.
D865,795 S 11/2019 Koo
D866,582 S * 11/2019 Chang D14/486
D871,438 S 12/2019 Nakahara et al.
D872,731 S 1/2020 Wang et al.
D873,843 S 1/2020 Jang et al.
D873,849 S 1/2020 Yamazaki et al.
D874,491 S 2/2020 Kuo et al.
D874,504 S 2/2020 Clediere
D875,112 S 2/2020 Clediere
D875,114 S 2/2020 Clediere
D875,126 S 2/2020 Greco et al.
10,559,224 B2 2/2020 Ternoey
D878,411 S 3/2020 Lee et al.
D879,131 S 3/2020 Friedland et al.
D879,807 S 3/2020 Clediere
D880,493 S 4/2020 Huang et al.
D880,500 S 4/2020 Clediere
D881,925 S 4/2020 Hansen et al.
10,623,831 B1 4/2020 Paul
D884,013 S 5/2020 Clediere
D884,733 S 5/2020 Cornell
D885,415 S 5/2020 Deng
D886,127 S 6/2020 Conover et al.
D887,438 S 6/2020 Kang et al.
D887,439 S 6/2020 Elgena
D888,070 S 6/2020 Yusupov et al.
D888,089 S 6/2020 Chaudhri et al.
D888,733 S 6/2020 Fong et al.
D889,487 S 7/2020 Clediere
D890,198 S 7/2020 Paul
D890,201 S 7/2020 Li et al.
D890,805 S 7/2020 Echeverri et al.
D892,140 S 8/2020 Clediere et al.
D892,156 S 8/2020 Boettner
D892,816 S * 8/2020 Lakas D14/485
D892,838 S 8/2020 Hansen et al.
D892,848 S * 8/2020 McCollum D14/487
D892,862 S 8/2020 Hsu et al.
D894,921 S 9/2020 Paul
D894,949 S * 9/2020 Shuttleworth D14/488
D896,259 S 9/2020 Doti et al.
D897,353 S * 9/2020 Hall D14/485
D898,066 S 10/2020 Kim et al.
D898,074 S 10/2020 Spors et al.
D899,435 S 10/2020 Pazmino et al.
D899,438 S 10/2020 Crafts et al.
D899,443 S 10/2020 Sharp et al.
D899,448 S 10/2020 VanDuyn et al.
D900,146 S 10/2020 Lewis et al.
D900,148 S 10/2020 Bao
10,817,142 B1 10/2020 Paul
D900,834 S 11/2020 Yamazaki et al.
D900,859 S * 11/2020 Satterlie D14/487
D900,863 S 11/2020 Clingerman
D902,241 S 11/2020 Clediere
D902,248 S 11/2020 Vazquez et al.
D902,250 S 11/2020 Chen et al.
D903,699 S 12/2020 Paul
D903,707 S 12/2020 Sowden et al.
D903,708 S 12/2020 Pueriet
D904,421 S 12/2020 Hansen et al.
D904,423 S 12/2020 Hansen et al.
D904,425 S 12/2020 Paul
D905,074 S 12/2020 Lin et al.
D905,108 S 12/2020 Kang et al.
2003/0093790 A1 5/2003 Logan et al.
2007/0067738 A1 3/2007 Flynt et al.
2008/0092168 A1 4/2008 Logan et al.
2008/0235247 A1 9/2008 Krantz et al.
2009/0046057 A1 2/2009 Umezawa
2009/0265628 A1 10/2009 Bamford et al.
2010/0241961 A1 9/2010 Peterson et al.

(56)

References Cited

U.S. PATENT DOCUMENTS

2010/0241962 A1 9/2010 Peterson et al.
 2011/0145751 A1 6/2011 Landman et al.
 2012/0087637 A1 4/2012 Logan et al.
 2012/0159318 A1 6/2012 Shaw et al.
 2012/0209815 A1 8/2012 Carson et al.
 2012/0299933 A1 11/2012 Lau et al.
 2013/0227414 A1 8/2013 Hwang et al.
 2013/0321340 A1 12/2013 Seo et al.
 2014/0082497 A1* 3/2014 Chalouhi G06F 16/447
 715/716

2014/0189607 A1 7/2014 Shuttleworth et al.
 2014/0215367 A1 7/2014 Kim et al.
 2014/0222512 A1 8/2014 Pace
 2014/0298233 A1 10/2014 Pettey et al.
 2014/0359443 A1 12/2014 Hwang
 2015/0089369 A1 3/2015 Ahm
 2015/0121252 A1 4/2015 Yerli
 2015/0220774 A1 8/2015 Ebersman et al.
 2015/0223308 A1 8/2015 Yen
 2015/0326912 A1 11/2015 Casagrande
 2016/0034133 A1 2/2016 Wilson et al.
 2016/0072841 A1 3/2016 Caporal et al.
 2016/0149956 A1 5/2016 Birnbaum et al.
 2016/0155063 A1 6/2016 Rich
 2016/0309321 A1 10/2016 Song et al.
 2016/0314120 A1 10/2016 Dauderman et al.
 2016/0328100 A1 11/2016 Rajaraman et al.
 2016/0357413 A1 12/2016 Block et al.
 2016/0357420 A1 12/2016 Wilson et al.
 2017/0185581 A1 6/2017 Bojja et al.
 2017/0250931 A1 8/2017 Ioannou et al.
 2017/0277691 A1 9/2017 Agarwal
 2017/0308290 A1 10/2017 Patel
 2017/0329465 A1 11/2017 Hong
 2017/0336928 A1 11/2017 Chaudhri et al.
 2018/0039406 A1 2/2018 Kong et al.
 2018/0082313 A1 3/2018 Duggin et al.
 2018/0173692 A1 6/2018 Greenberg et al.
 2018/0210874 A1 7/2018 Fuxman et al.
 2018/0218458 A1 8/2018 Benfield et al.
 2019/0049394 A1 2/2019 Iwao
 2019/0075340 A1 3/2019 Hochart
 2020/0026755 A1 1/2020 Hewitt et al.
 2020/0111173 A1 4/2020 Benfield et al.
 2020/0233911 A1 7/2020 Siroker et al.
 2020/0257859 A1 8/2020 Hewitt et al.

OTHER PUBLICATIONS

Paul, Debashish, "Macro-Navigation within a Digital Story Framework", U.S. Appl. No. 16/416,312 dated May 20, 2019, 51 pages.
 Paul, Debashish, "Interactive Digital Time Display", U.S. Appl. No. 16/416,313 dated May 20, 2019, 46 pages.
 Paul, Debashish, "Archive Full-Story Mode", U.S. Appl. No. 29/693,993 dated Jun. 6, 2019, 11 pages.
 Paul, Debashish, "Archive Calendar Interface", U.S. Appl. No. 29/693,991 dated Jun. 6, 2019, 11 pages.
 Paul, Debashish, "Archive Montage Interface", U.S. Appl. No. 29/693,989 dated Jun. 6, 2019, 11 pages.
 Paul, Debashish, "Automated Social Media Replies", U.S. Appl. No. 16/425,909 dated May 29, 2019, 46 pages.
 Paul, Debashish, "Systems and Methods for Digital Privacy Controls", U.S. Appl. No. 16/425,907 dated May 29, 2019, 45 pages.
 Non-Final Office Action received for U.S. Appl. No. 16/425,909 dated May 11, 2020, 28 pages.
 Notice of Allowance received for U.S. Appl. No. 16/425,907 dated Apr. 9, 2020, 29 pages.
 Paul, Debashish, "Systems and Methods for Digital Privacy Controls", U.S. Appl. No. 15/931,145, filed May 13, 2020, 49 pages.
 Notice of Allowance received for U.S. Appl. No. 16/416,312 dated Jul. 31, 2020, 53 pages.

Non-Final Office Action received for U.S. Appl. No. 29/693,993 dated Sep. 18, 2020, 24 pages.
 Non-Final Office Action received for U.S. Appl. No. 29/693,991 dated Oct. 1, 2020, 24 pages.
 Non-Final Office Action received for U.S. Appl. No. 29/693,989 dated Sep. 18, 2020, 24 pages.
 Final Office Action received for U.S. Appl. No. 16/425,909 dated Sep. 23, 2020, 26 pages.
 Preinterview First Office Action received for U.S. Appl. No. 15/931,145 dated Sep. 22, 2020, 23 pages.
 Non-Final Office Action received for U.S. Appl. No. 29/688,460 dated Aug. 7, 2020, 14 pages.
 Non-Final Office Action received for U.S. Appl. No. 29/688,458 dated Aug. 7, 2020, 14 pages.
 Non-Final Office Action received for U.S. Appl. No. 29/688,457 dated Aug. 7, 2020, 13 pages.
 Non-Final Office Action received for U.S. Appl. No. 29/693,879 dated Sep. 18, 2020, 9 pages.
 Non-Final Office Action received for U.S. Appl. No. 29/688,452 dated Aug. 7, 2020, 18 pages.
 Non-Final Office Action received for U.S. Appl. No. 29/688,451 dated Aug. 7, 2020, 17 pages.
 Non-Final Office Action received for U.S. Appl. No. 29/693,878 dated Sep. 17, 2020, 10 pages.
 Non-Final Office Action received for U.S. Appl. No. 29/688,446 dated Aug. 7, 2020, 18 pages.
 Non-Final Office Action received for U.S. Appl. No. 29/688,445 dated Aug. 7, 2020, 18 pages.
 Non-Final Office Action received for U.S. Appl. No. 29/693,992 dated Sep. 18, 2020, 11 pages.
 Non-Final Office Action received for U.S. Appl. No. 29/693,881 dated Sep. 18, 2020, 10 pages.
 Non-Final Office Action received for U.S. Appl. No. 29/693,880 dated Sep. 18, 2020, 9 pages.
 Paul, Debashish, "Macro-Navigation Within a Digital Story Framework", U.S. Appl. No. 17/023,091 dated Sep. 16, 2020, 53 pages.
 Notice of Allowance received for U.S. Appl. No. 29/688,460 dated Dec. 1, 2020, 40 pages.
 Buckell, FabioMake, "How to Create and Personalize Facebook Stories", URL: <https://www.maketecheasier.com/create-personalize-facebook-stories/>, Make Tech Easier, Nov. 17, 2018, 2 pages.
 Notice of Allowance received for U.S. Appl. No. 29/688,458 dated Dec. 1, 2020, 40 pages.
 Kishore, Aseem, "How to Delete Messages on Facebook for Good", URL: <https://www.online-tech-tips.com/computer-tips/how-to-delete-messages-on-facebook-for-good/>, Online Tech Tips, Jun. 22, 2012, 1 page.
 Notice of Allowance received for U.S. Appl. No. 29/688,457 dated Dec. 1, 2020, 39 pages.
 Notice of Allowance received for U.S. Appl. No. 29/688,452 dated Dec. 1, 2020, 40 pages.
 Notice of Allowance received for U.S. Appl. No. 29/688,451 dated Nov. 25, 2020, 39 pages.
 Notice of Allowance received for U.S. Appl. No. 29/693,878 dated Nov. 27, 2020, 39 pages.
 Notice of Allowance received for U.S. Appl. No. 29/688,446 dated Dec. 1, 2020, 39 pages.
 Notice of Allowance received for U.S. Appl. No. 29/693,993 dated Dec. 24, 2020, 41 pages.
 Notice of Allowance received for U.S. Appl. No. 29/693,989 dated Dec. 28, 2020, 42 pages.
 Notice of Allowance received for U.S. Appl. No. 29/688,460 dated Dec. 23, 2020, 8 pages.
 Notice of Allowance received for U.S. Appl. No. 29/688,457 dated Dec. 24, 2020, 8 pages.
 Notice of Allowance received for U.S. Appl. No. 29/693,879 dated Dec. 23, 2020, 53 pages.
 Notice of Allowance received for U.S. Appl. No. 29/688,452 dated Dec. 23, 2020, 8 pages.
 Notice of Allowance received for U.S. Appl. No. 29/688,451 dated Dec. 23, 2020, 8 pages.
 Notice of Allowance received for U.S. Appl. No. 29/693,878 dated Dec. 23, 2020, 8 pages.

(56)

References Cited

OTHER PUBLICATIONS

Notice of Allowance received for U.S. Appl. No. 29/688,446 dated Dec. 23, 2020, 8 pages.

Notice of Allowance received for U.S. Appl. No. 29/693,992 dated Dec. 23, 2020, 45 pages.

Notice of Allowance received for U.S. Appl. No. 29/693,880 dated Dec. 23, 2020, 47 pages.

* cited by examiner

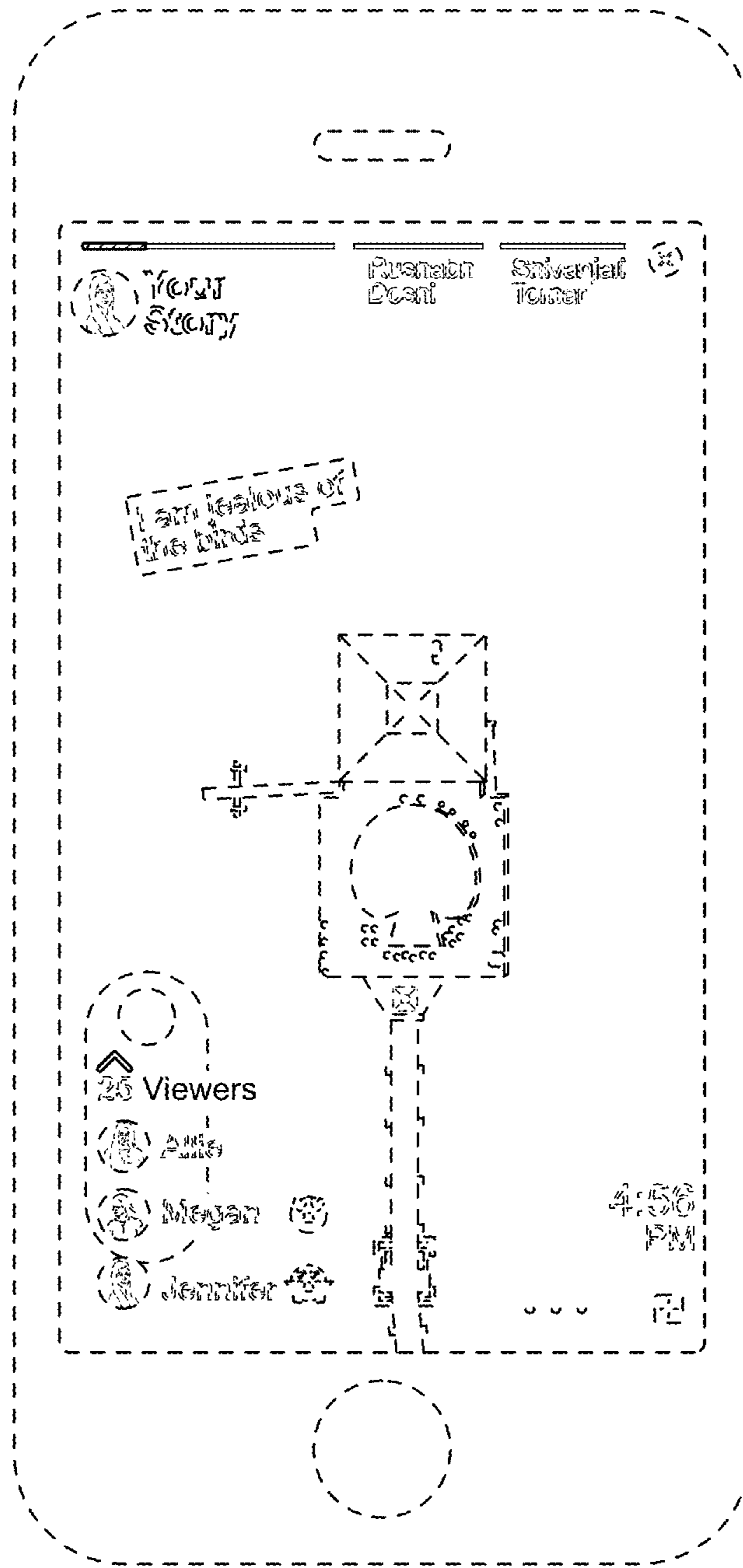


FIG. 1

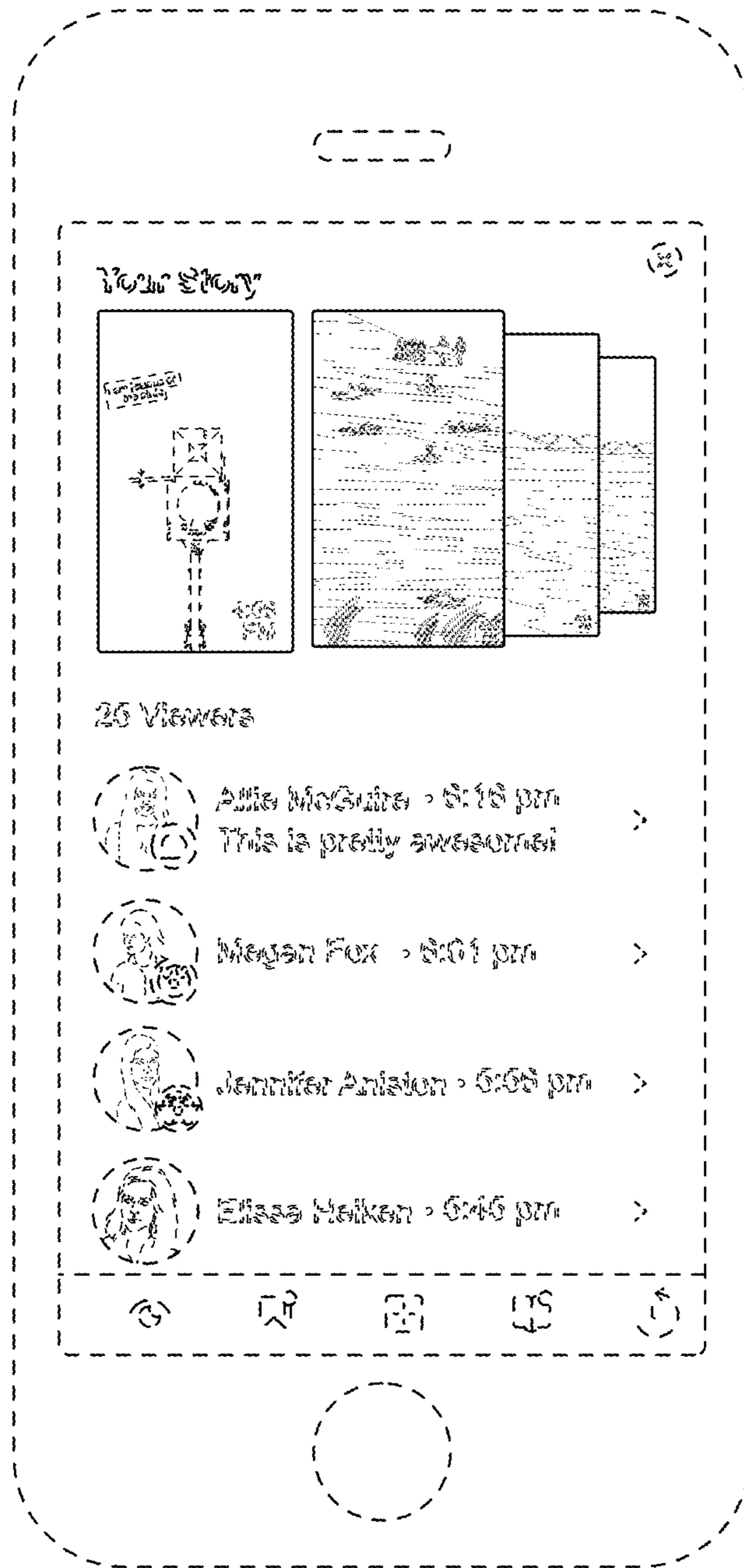


FIG. 2