



US00D914029S

(12) **United States Design Patent** (10) **Patent No.:** **US D914,029 S**
Lyu (45) **Date of Patent:** **** Mar. 23, 2021**

(54) **DISPLAY STAND**

(56) **References Cited**

(71) Applicant: **SHENZHEN PRIME TECHNOLOGY CO., LTD**, Shenzhen (CN)

U.S. PATENT DOCUMENTS

(72) Inventor: **Yaqi Lyu**, Shenzhen (CN)

2,461,622	A *	2/1949	Nicholas	A47C 16/02
					248/628
D244,928	S *	7/1977	Oakes	D12/407
D266,772	S *	11/1982	Sayers	D19/85
D390,209	S *	2/1998	Dials	D14/451
D409,992	S *	5/1999	Mockett	D14/451
D483,767	S *	12/2003	Green	D14/447
D485,094	S	1/2004	Chang et al.		
D637,600	S *	5/2011	Leyva-Menendez	D14/447
9,862,088	B2 *	1/2018	Luis y Prado	B25H 1/08
D857,698	S *	8/2019	Hu	D14/447
D857,705	S *	8/2019	Hu	D14/451
D873,056	S	1/2020	Stafford et al.		
D880,913	S *	4/2020	Kuo	D6/705
D902,612	S *	11/2020	Hu	D6/349
D908,133	S *	1/2021	Huang	D14/447

(73) Assignee: **SHENZHEN PRIME TECHNOLOGY CO., LTD**, Shenzhen (CN)

(**) Term: **15 Years**

(21) Appl. No.: **29/752,349**

(22) Filed: **Sep. 26, 2020**

(51) **LOC (13) Cl.** **14-02**

(52) **U.S. Cl.**
USPC **D14/451**

(58) **Field of Classification Search**
USPC D14/224, 239, 251, 253, 316, 375, 376, D14/432, 439, 447, 451, 452, 457; D6/396, 444, 449, 510, 511, 513, 655, D6/675, 675.1, 691.9; D34/38; D8/349, D8/355, 363, 373, 380; 108/51.3; 248/121, 124.1, 127, 201, 205.1, 313, 248/415, 917-24; 312/223.3; 211/134, 211/151; D19/87
CPC G06F 3/0412; G06F 3/016; G06F 3/0488; G06F 3/011; G06F 3/038; G06F 3/03543; G06F 3/0338; G06F 3/0202; G06F 3/0219; G06F 3/0213; G06F 1/1616; G06F 3/023; G06F 3/04883; G02F 1/13338; G09G 3/3648

See application file for complete search history.

* cited by examiner

Primary Examiner — Katie Jane Stofko

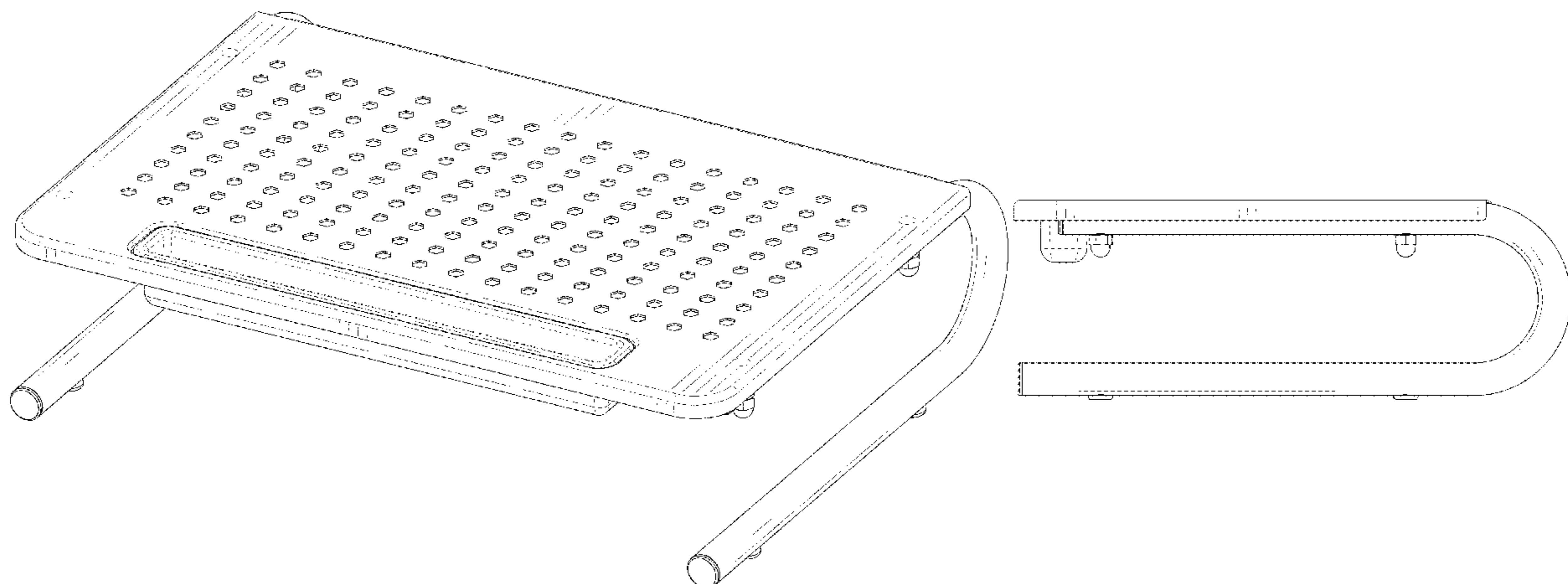
(57) **CLAIM**

The ornamental design for a display stand, as shown and described.

DESCRIPTION

FIG. 1 is a perspective view of a display stand showing my new design;
FIG. 2 is another perspective view thereof;
FIG. 3 is a front elevational view thereof;
FIG. 4 is a rear elevational view thereof;
FIG. 5 is a left side elevational view thereof;
FIG. 6 is a right side elevational view thereof;
FIG. 7 is a top plan view thereof; and,
FIG. 8 is a bottom plan view thereof.
The broken lines in the drawings depict portions of the display stand that form no part of the claimed design.

1 Claim, 8 Drawing Sheets



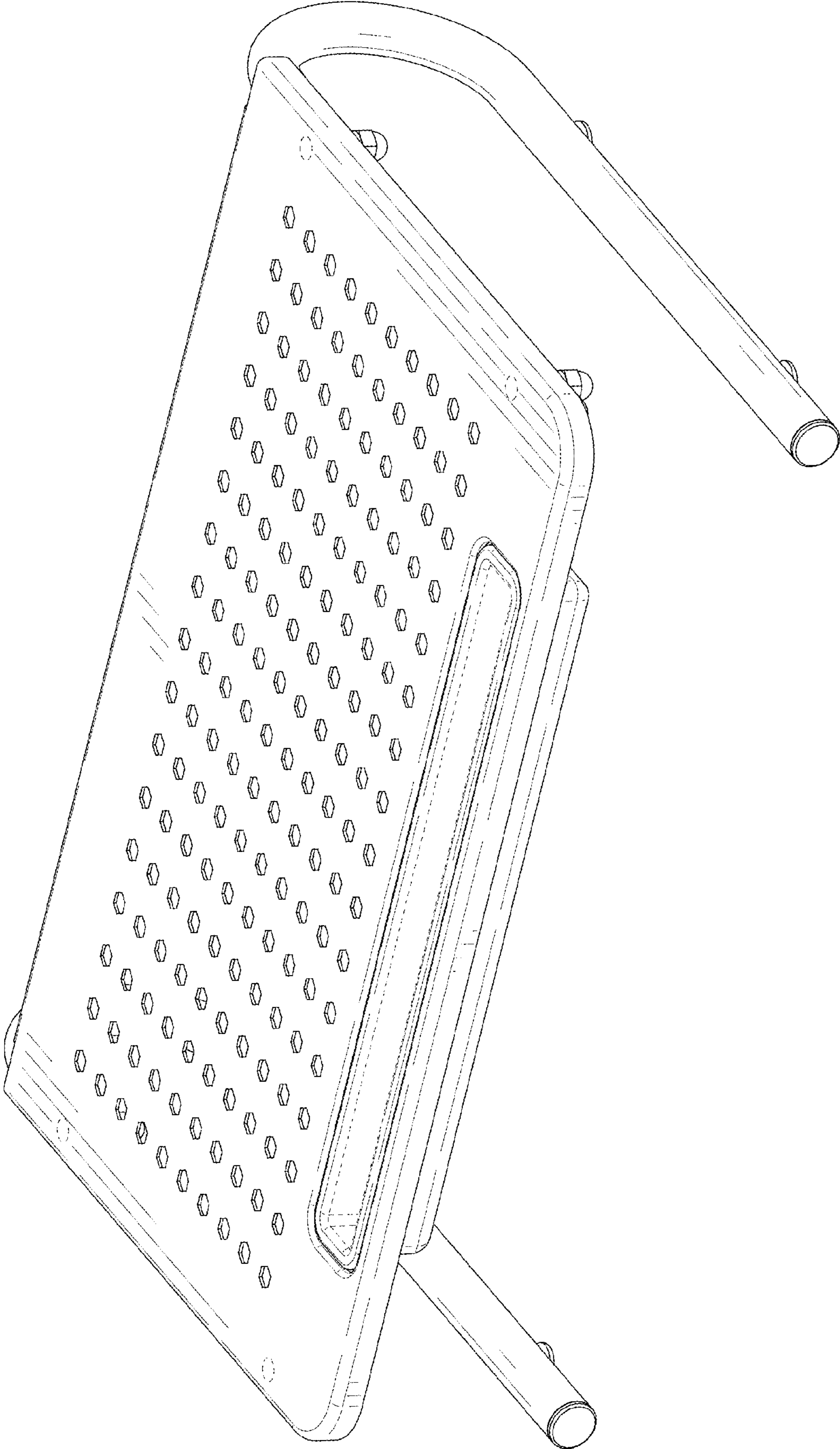


FIG. 1

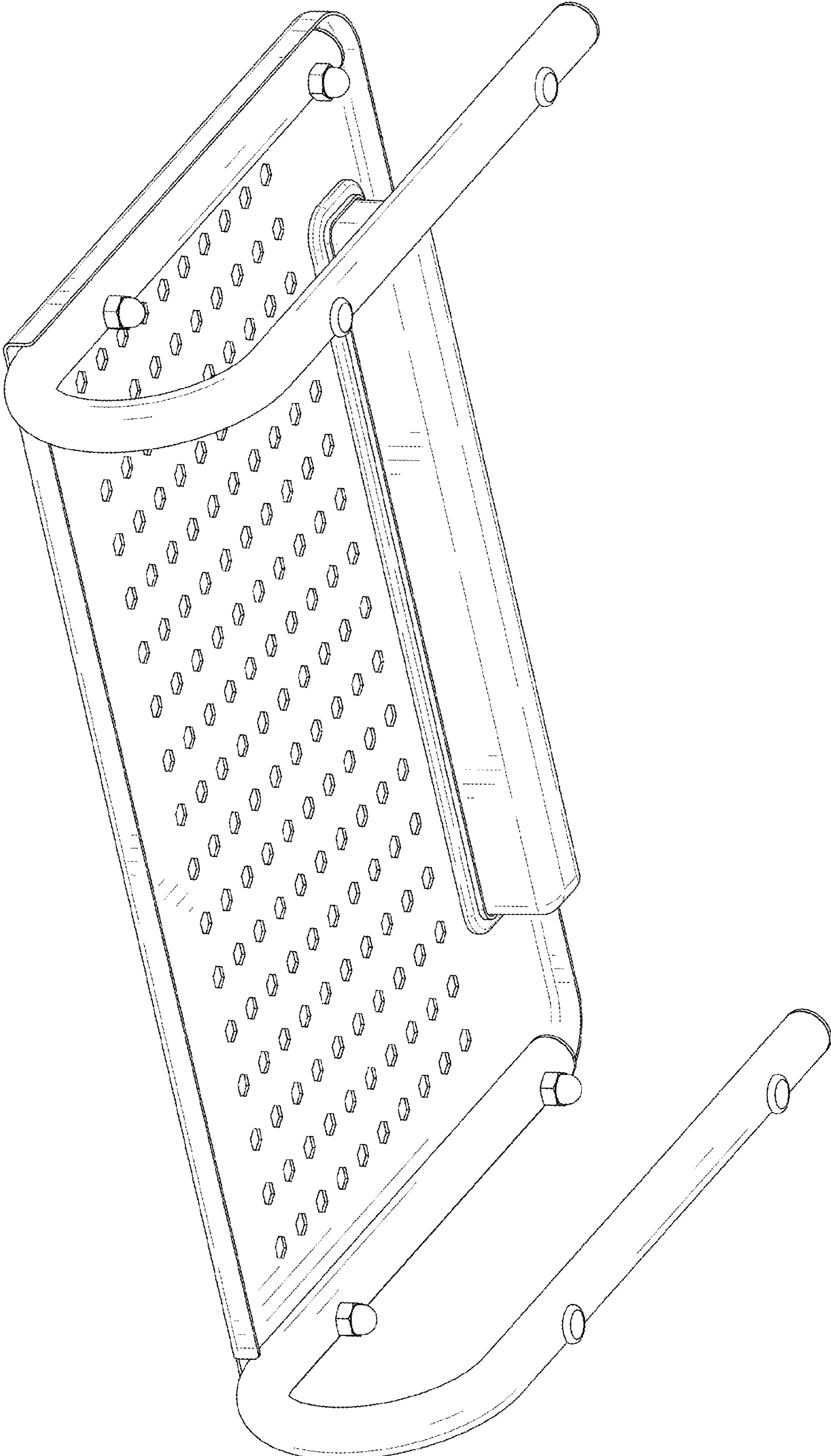


FIG. 2

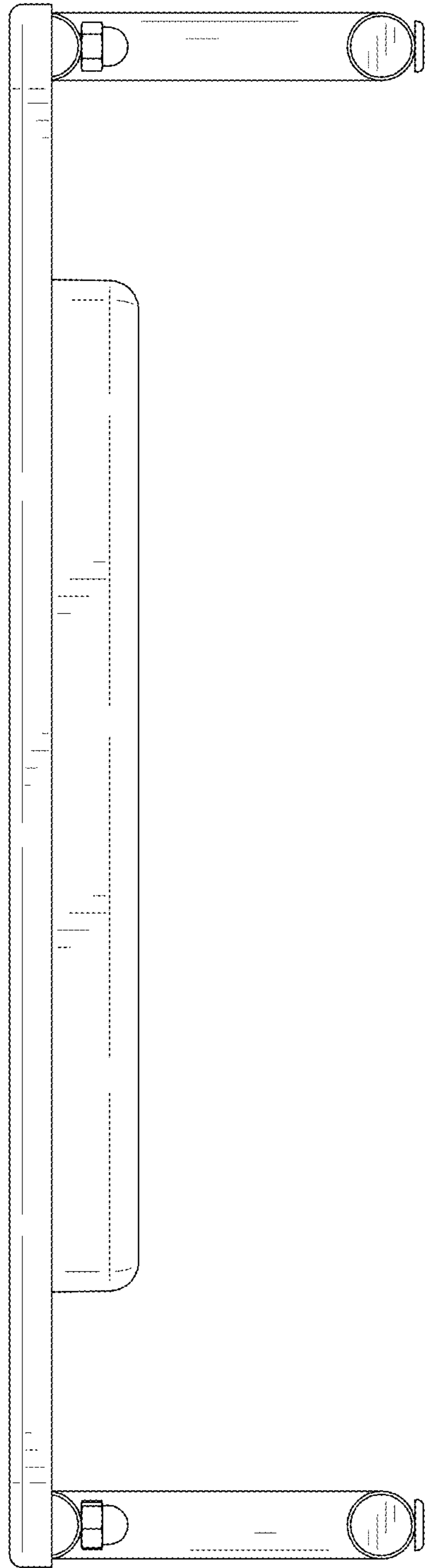


FIG. 3

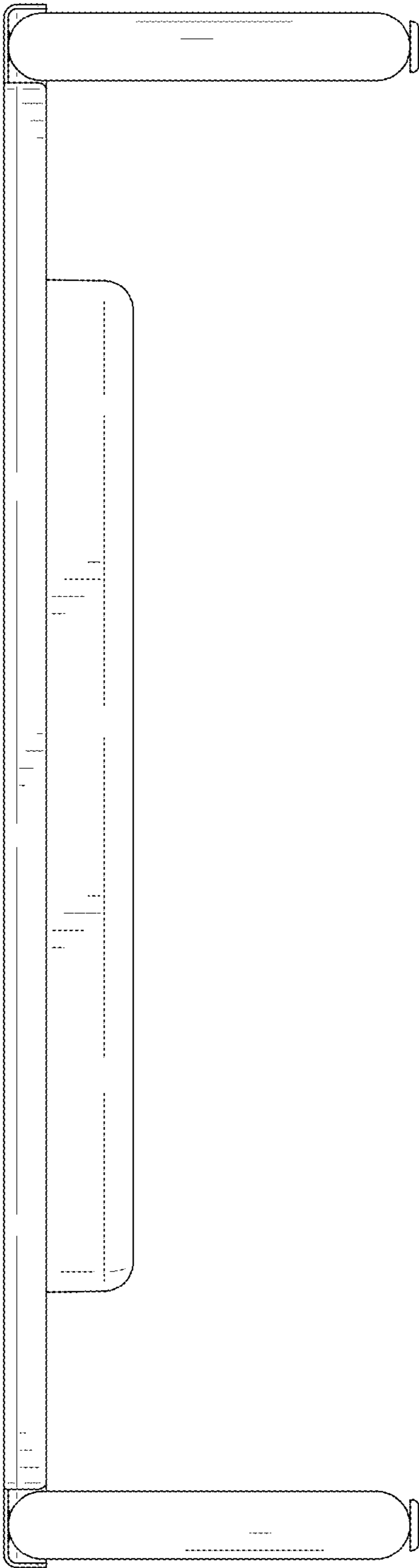


FIG. 4

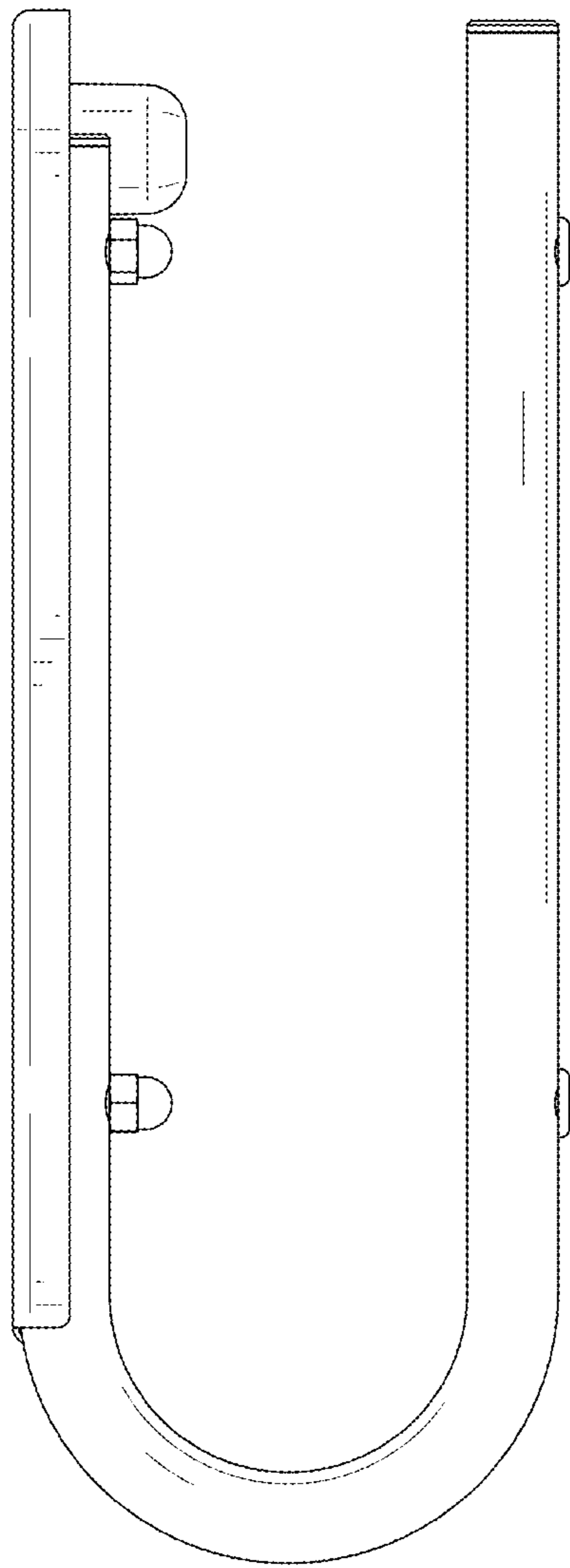


FIG. 5

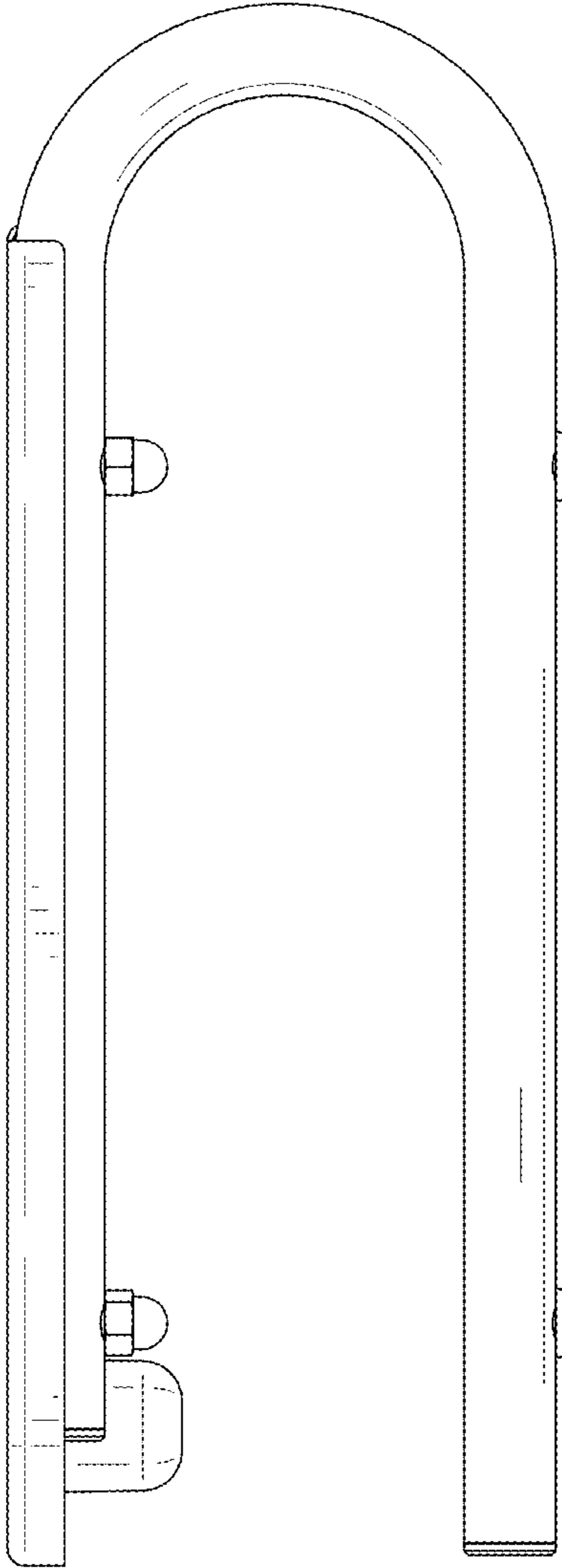


FIG. 6

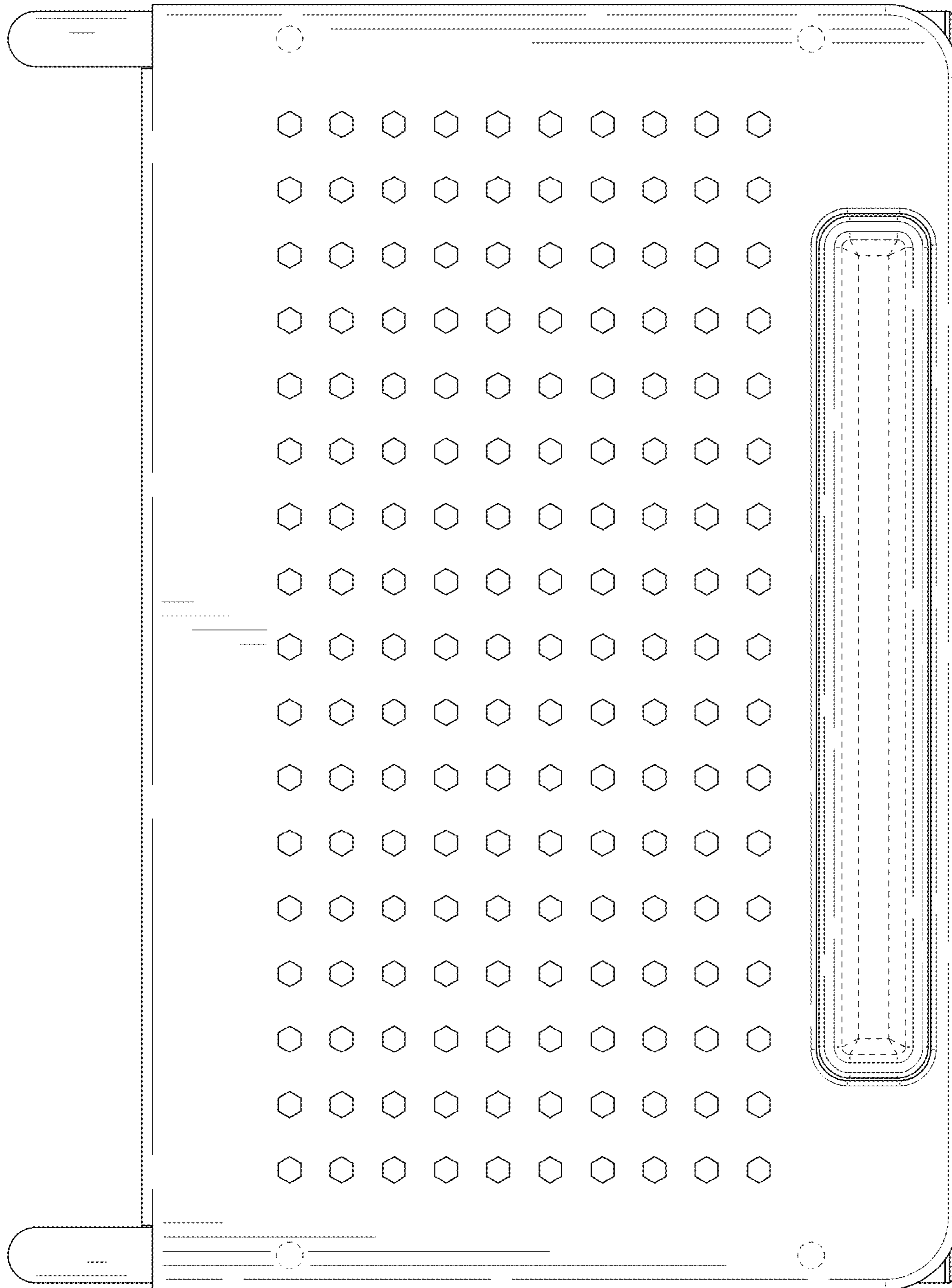


FIG. 7

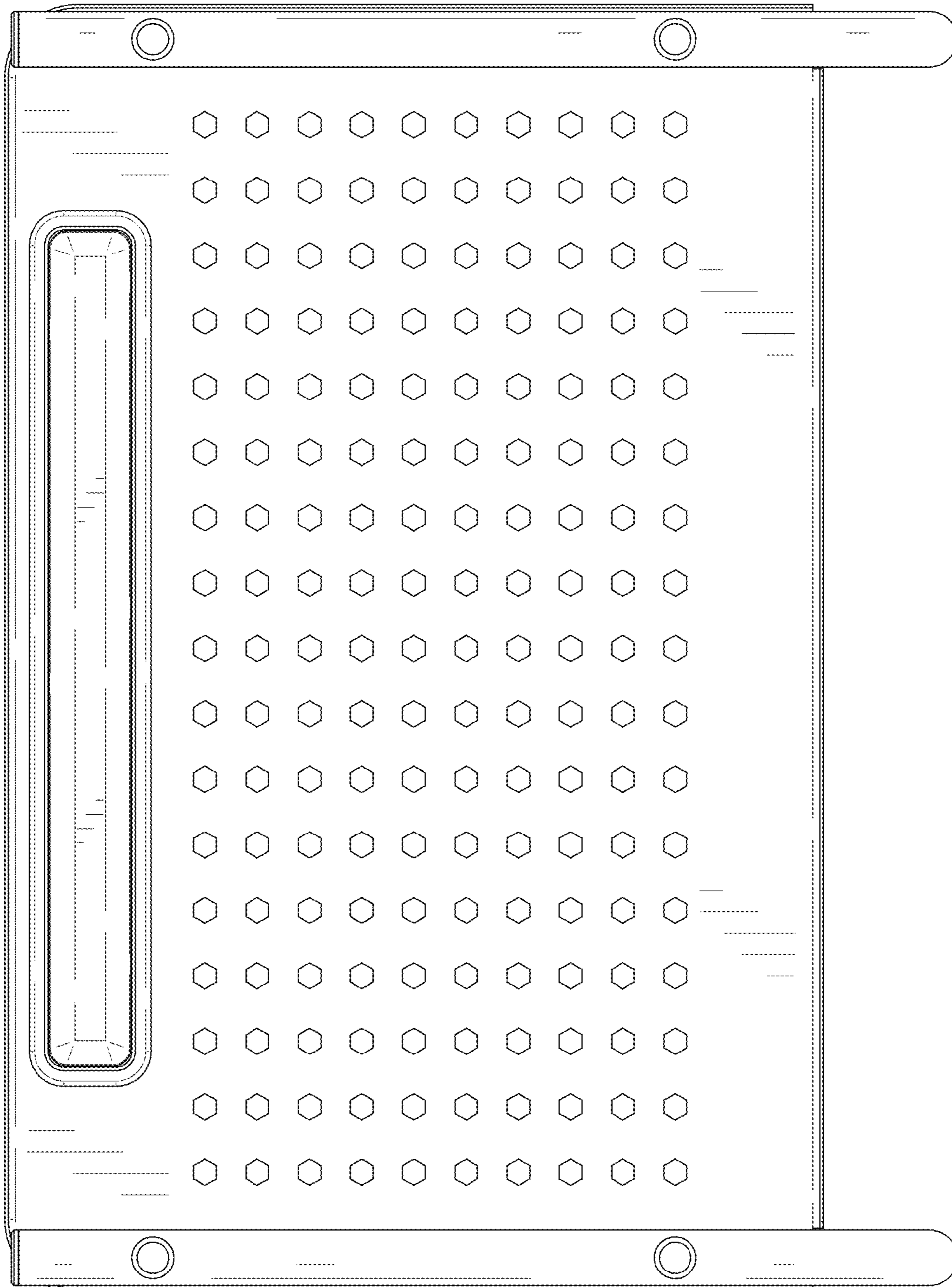


FIG. 8