

US00D914027S

(12) **United States Design Patent**  
**Zhang**

(10) **Patent No.:** **US D914,027 S**  
(45) **Date of Patent:** **\*\* Mar. 23, 2021**

- (54) **MINI PC STATION**
- (71) Applicant: **Lexiao Zhang**, Montreal (CA)
- (72) Inventor: **Lexiao Zhang**, Montreal (CA)
- (\*\*) Term: **15 Years**
- (21) Appl. No.: **29/710,381**
- (22) Filed: **Oct. 23, 2019**
- (51) **LOC (13) Cl.** ..... **08-07**
- (52) **U.S. Cl.**  
USPC ..... **D14/447**
- (58) **Field of Classification Search**  
USPC ..... D14/447, 432, 434, 439, 440, 451, 452,  
D14/457, 239, 253; D8/363, 373, 380;  
D6/406.3, 406.4, 406.5, 406.6; D12/415  
CPC ..... A47B 21/04; A47B 2097/006; A47B  
2097/005; A47B 2023/049; A45C  
2011/002; A45C 2011/003; F16M  
2200/00; F16M 13/00  
See application file for complete search history.

- D870,718 S \* 12/2019 Peters ..... D14/253
- D883,297 S \* 5/2020 Latto ..... D14/447
- D884,711 S \* 5/2020 Zhang ..... D14/447
- D896,234 S \* 9/2020 Garrity, III ..... D14/447
- D898,017 S \* 10/2020 Zhang ..... D14/253
- D900,118 S \* 10/2020 Barnard ..... D14/447

**OTHER PUBLICATIONS**

US Trademark Registration No. 4825669; Logo Mark—Gladiator Joe Registration date: Oct. 6, 2015 Publication date: Jul. 21, 2015.  
 US Trademark Registration No. 88421041; Logo Mark—G J Registration date: Oct. 6, 2015 Publication date: Jul. 21, 2015.  
 US Trademark Registration No. 88421041; Logo Mark—I Am Gladiator I Am Victorious Registration date: Sep. 26, 2017 Publication date: Sep. 10, 2016.

(Continued)

*Primary Examiner* — Angela J Lee  
 (74) *Attorney, Agent, or Firm* — LegalForce RAPC Worldwide

(57) **CLAIM**

The ornamental design for a mini PC station, as shown and described.

**DESCRIPTION**

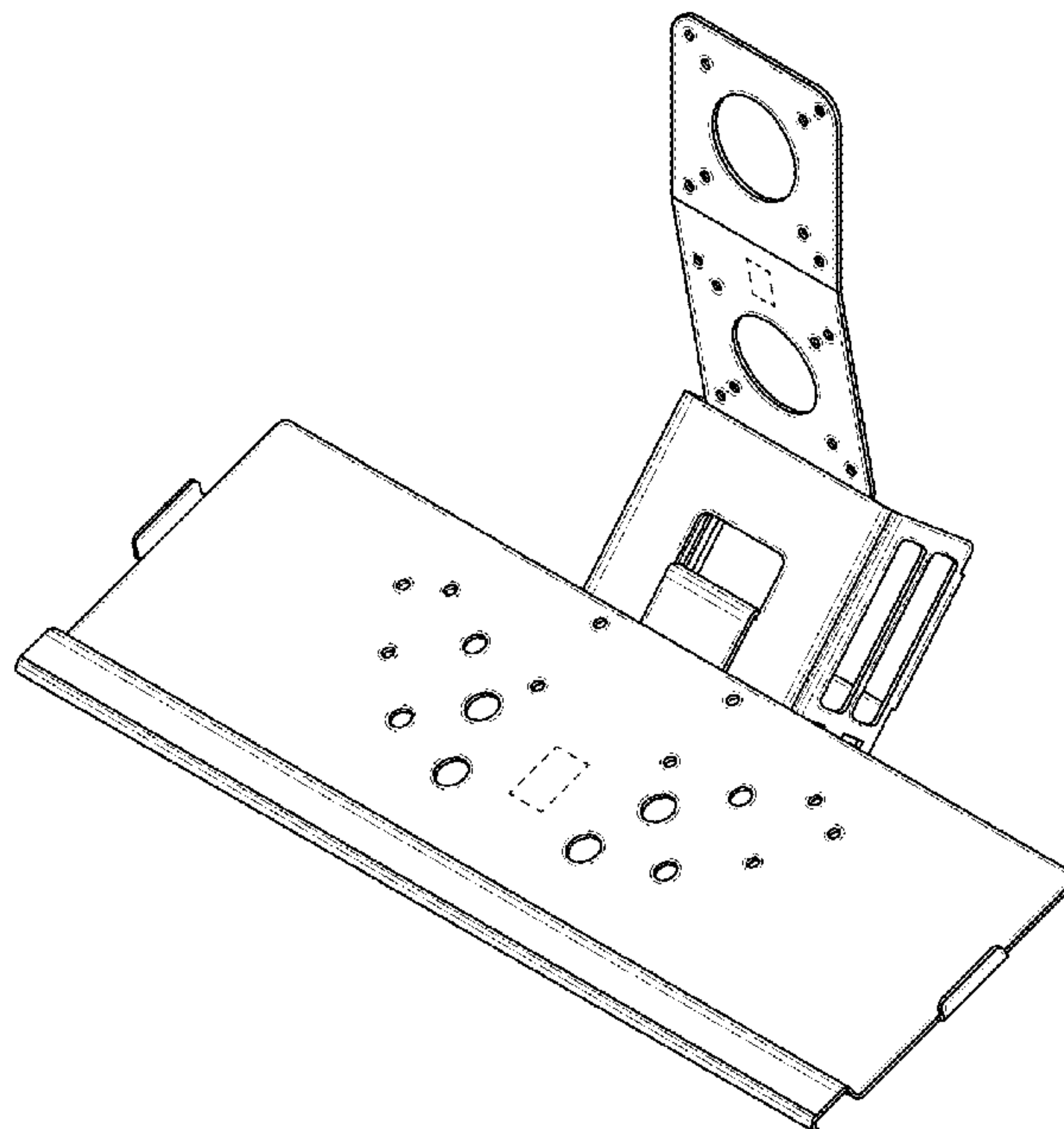
FIG. 1 is a front top right side perspective view for a mini PC station, showing my new design;  
 FIG. 2 is a front elevational view of FIG. 1 thereof;  
 FIG. 3 is a rear elevational view of FIG. 1 thereof;  
 FIG. 4 is a left side elevational view of FIG. 1 thereof, the right side elevational view being a mirror image.  
 FIG. 5 is a top plan view of FIG. 1 thereof;  
 FIG. 6 is a bottom plan view of FIG. 1 thereof; and,  
 FIG. 7 is an exploded front top right side perspective view of mini PC station of FIG. 1 thereof.  
 The broken lines indicate unclaimed portions of the design and form no part of the claimed design.

**1 Claim, 7 Drawing Sheets**

(56) **References Cited**

**U.S. PATENT DOCUMENTS**

- D363,426 S 10/1995 Rouleau
- D560,411 S 1/2008 Chung
- 7,338,019 B2 3/2008 Liu et al.
- D690,708 S \* 10/2013 Smith ..... D14/447
- D762,650 S \* 8/2016 Dang ..... D14/434
- D822,453 S 7/2018 Kanter
- D822,454 S 7/2018 Kanter
- D823,094 S 7/2018 Kanter
- D829,531 S 10/2018 Kanter
- D833,851 S 11/2018 Kanter
- D846,369 S 4/2019 Ni
- D846,370 S 4/2019 Ni
- D859,958 S 9/2019 Ni
- D861,002 S \* 9/2019 Bergeron-Mirsky ..... D14/447



(56)

**References Cited**

OTHER PUBLICATIONS

“Limbo low Profile Monitor Stand” by Ergomart, Found Online on [Dec. 5, 2019] <https://www.ergomart.com/media/catalog/product/cache/image/592x473/e9c3970ab036de70892d86c6d221abfe/1/i/limbo-monitor-stand-front-view.jpg>.

“Adapter VESA Mount Kit Bracket Set” by VIVO, Published on [Jan. 6, 2015] [https://images-na.ssl-images-amazon.com/images/I/71Ad5uMqbUL.\\_SL1500\\_.jpg](https://images-na.ssl-images-amazon.com/images/I/71Ad5uMqbUL._SL1500_.jpg).

“VESA Mount Adapter Bracket”, by HumanCentric, Found Online on [Dec. 13, 2019] <https://i.pinimg.com/236x/71/ae/d5/71aed5a82e26fece27e4465c0e051053.jpg>.

\* cited by examiner

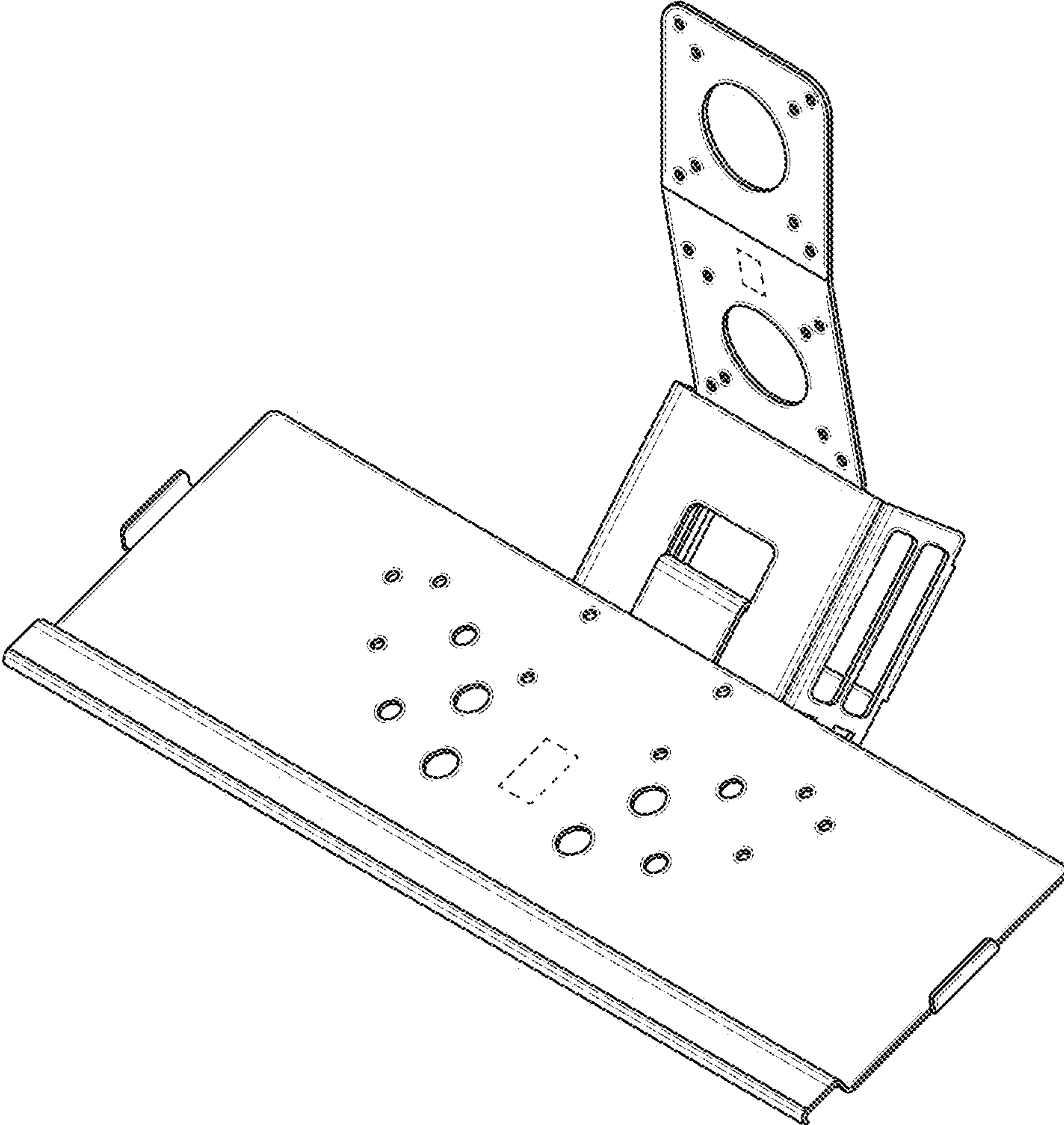


FIG. 1

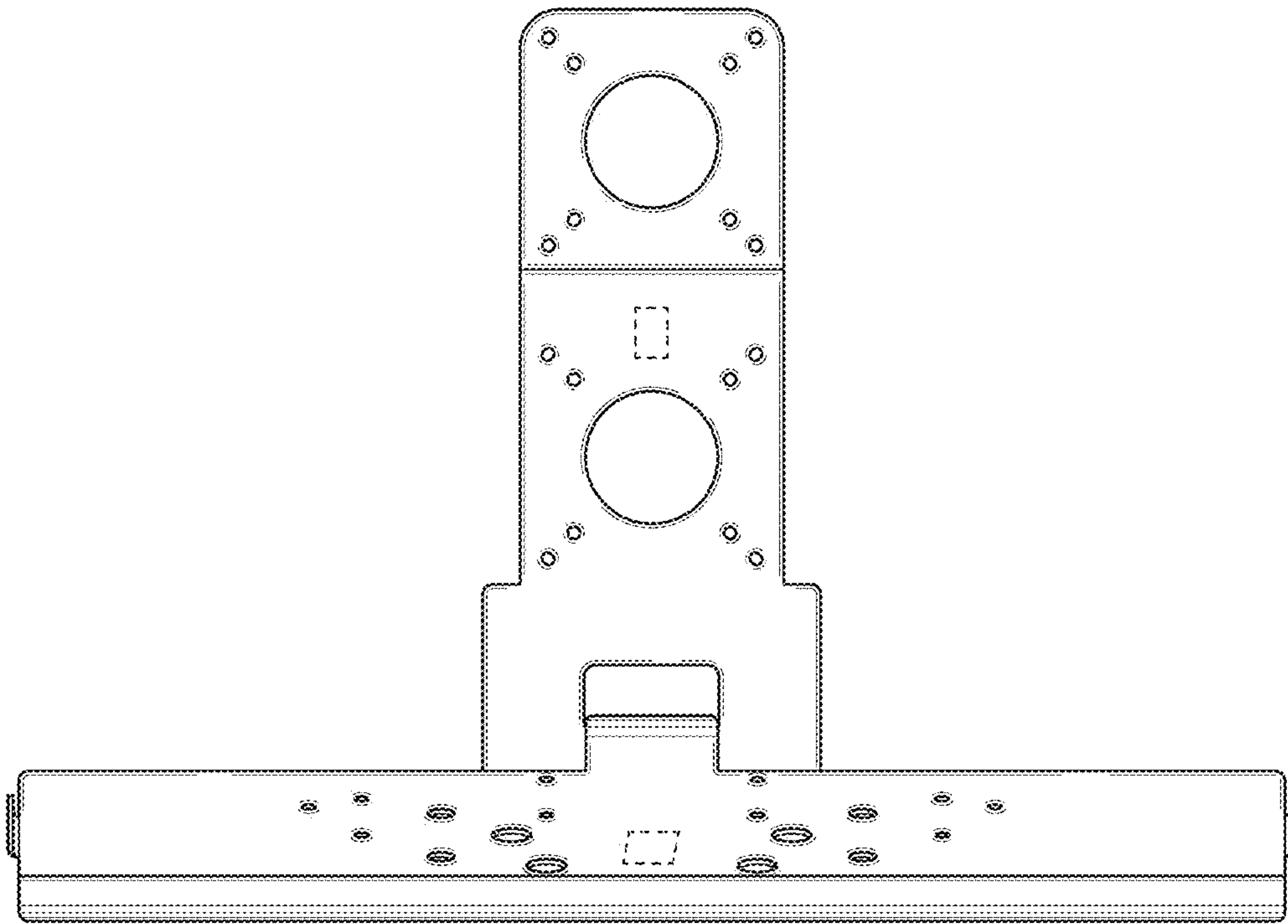


FIG. 2

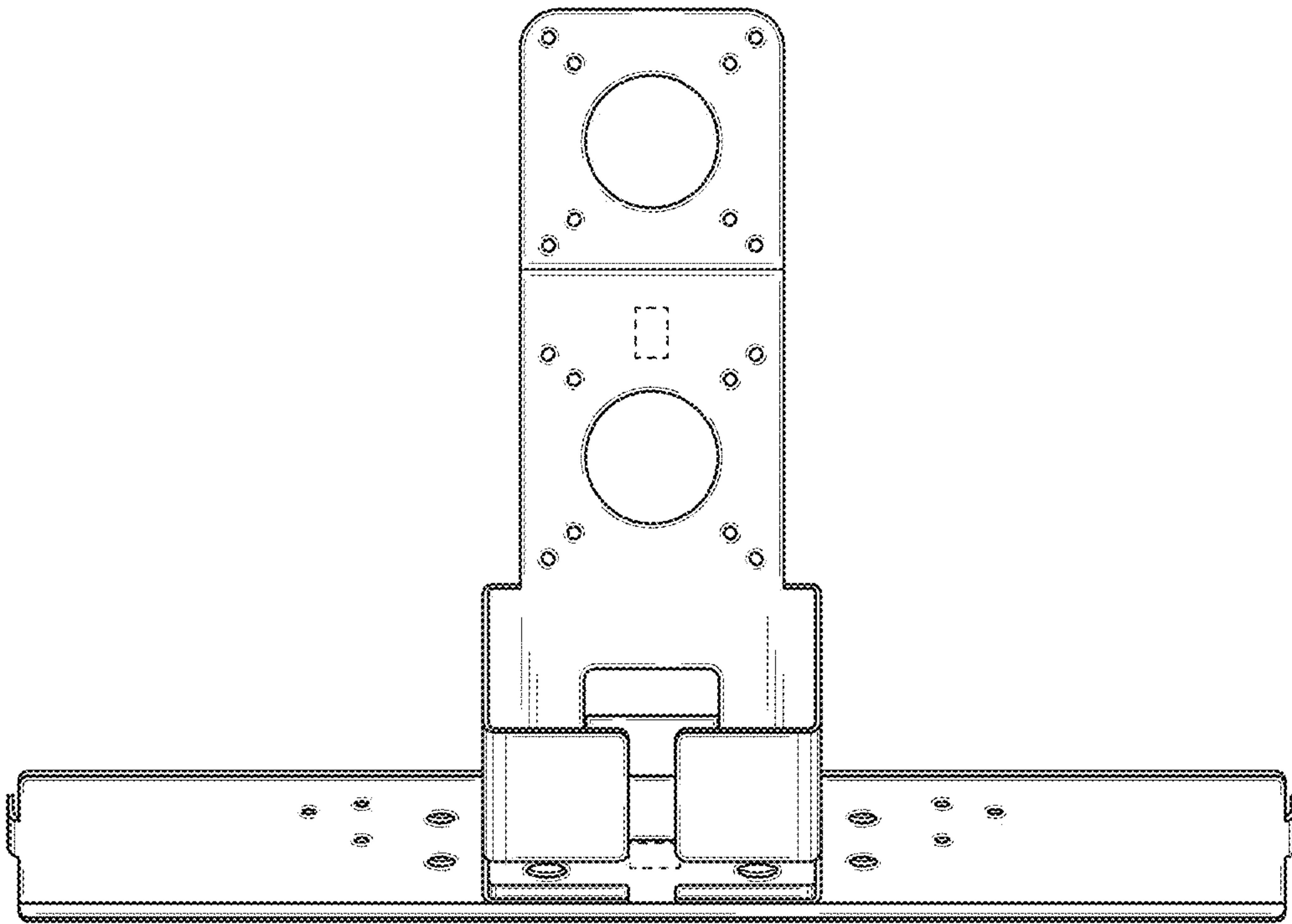


FIG. 3

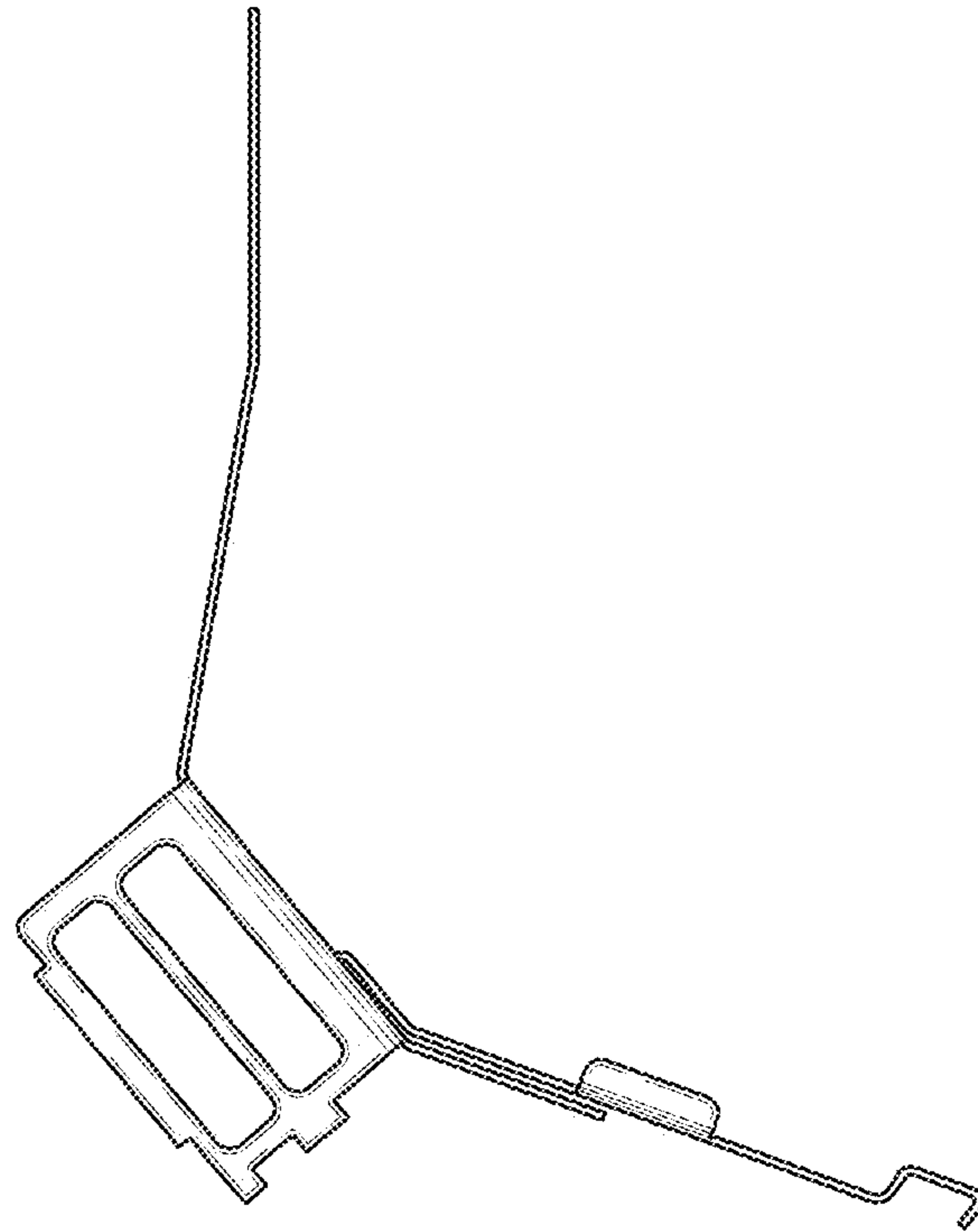


FIG. 4



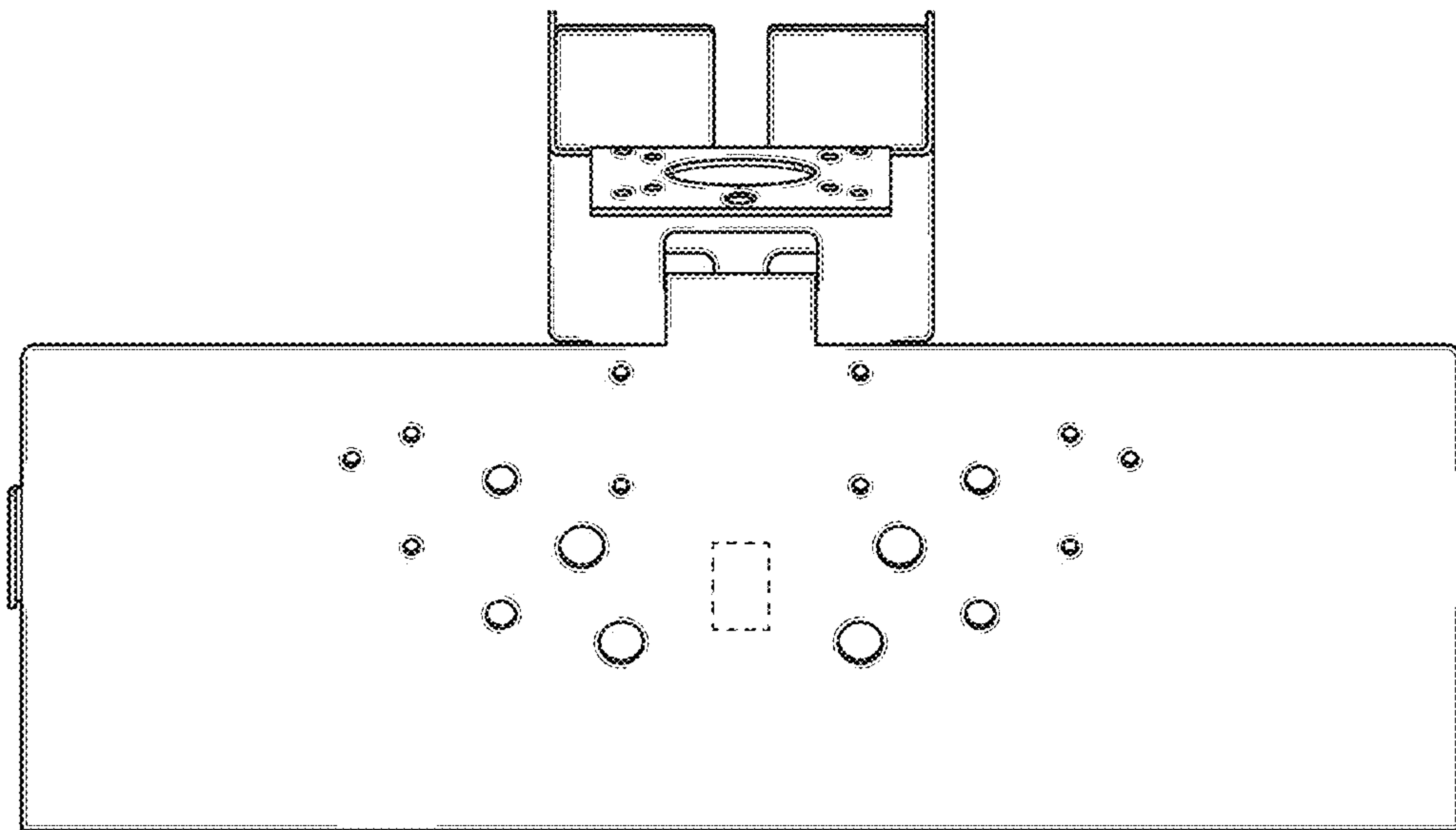


FIG. 5

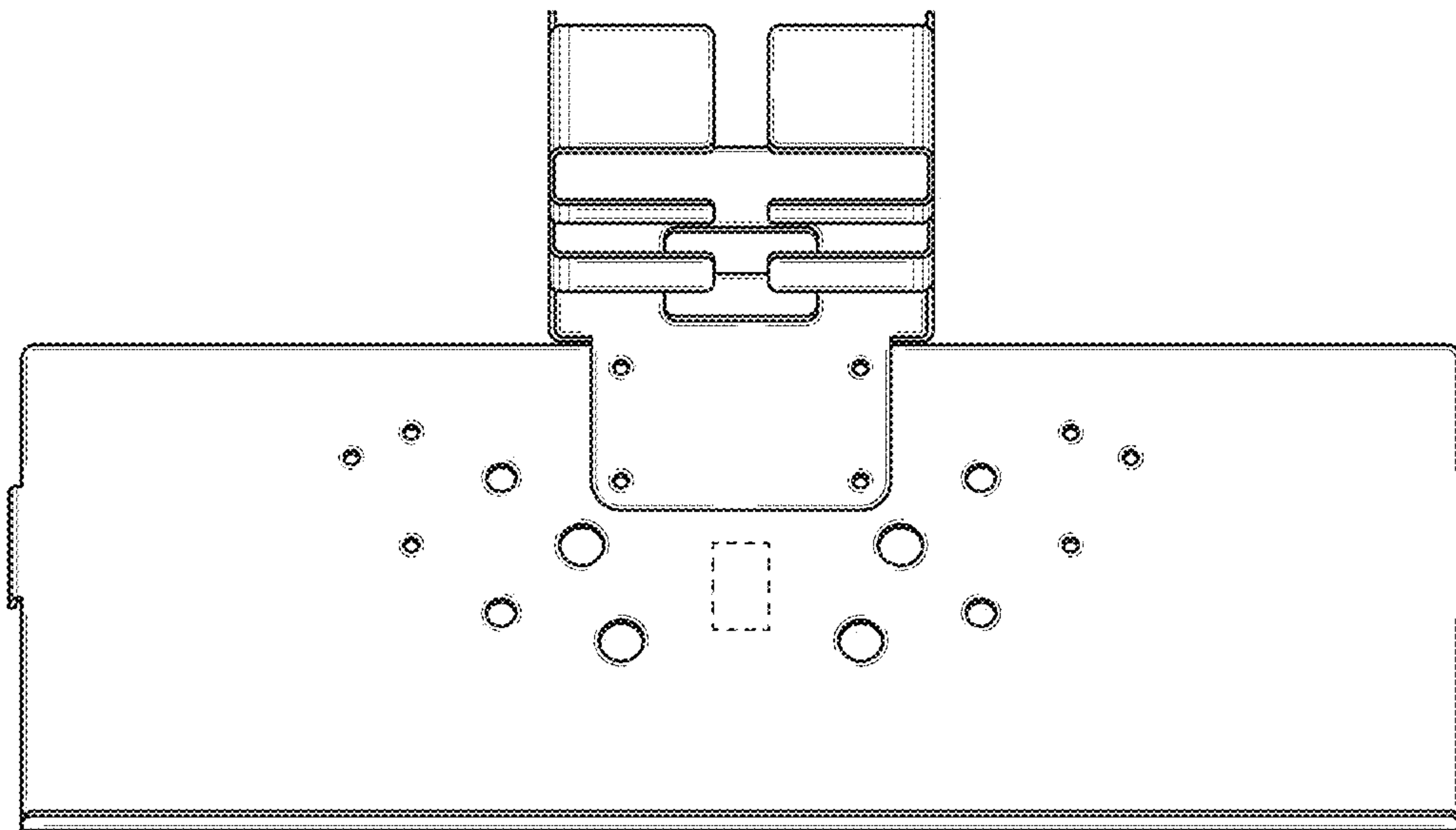


FIG. 6



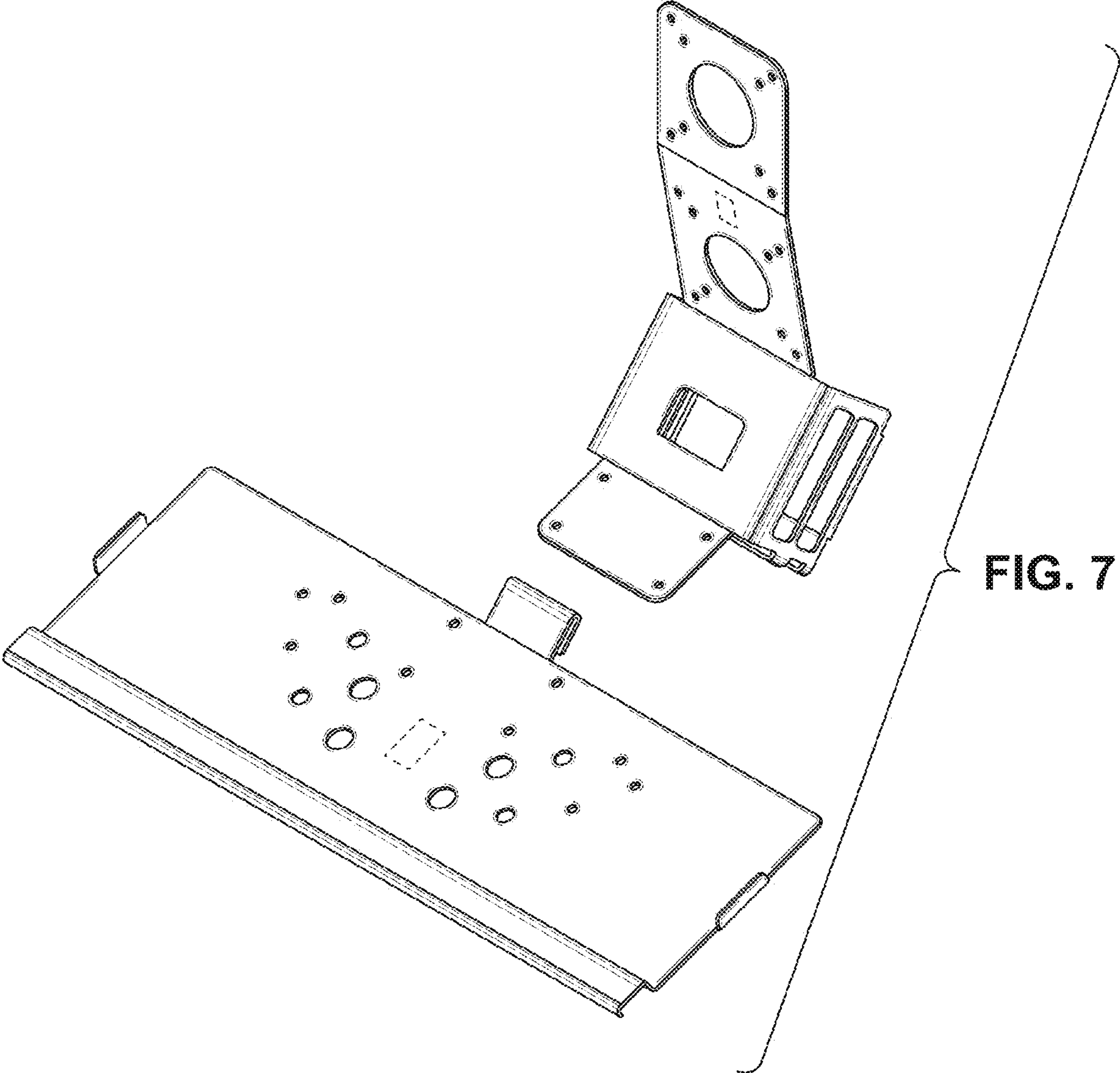


FIG. 7