



US00D914026S

(12) **United States Design Patent** (10) **Patent No.:** **US D914,026 S**  
**Fischer** (45) **Date of Patent:** **\*\* Mar. 23, 2021**

(54) **PORTABLE ELECTRONIC DEVICE STAND**

(71) Applicant: **Michael C. Fischer**, Marysville, WA  
(US)

(72) Inventor: **Michael C. Fischer**, Marysville, WA  
(US)

(\*\*) Term: **15 Years**

(21) Appl. No.: **29/708,404**

(22) Filed: **Oct. 5, 2019**

(51) **LOC (13) Cl.** ..... **08-07**

(52) **U.S. Cl.**  
USPC ..... **D14/447**

(58) **Field of Classification Search**  
USPC ..... D14/447, 432, 434, 439, 440, 451, 452,  
D14/457, 239, 253; D8/363, 373, 380;  
D6/406.3, 406.4, 406.5, 406.6; D19/78,  
D19/86, 87, 91  
CPC ..... A47B 21/04; A47B 2097/006; A47B  
2097/005; A47B 2023/049; A45C  
2011/002; A45C 2011/003; F16M  
2200/00; F16M 13/00  
See application file for complete search history.

(56) **References Cited**

**U.S. PATENT DOCUMENTS**

- D249,953 S \* 10/1978 Drake ..... D19/91
- D334,479 S \* 4/1993 Glick ..... D6/310
- D394,160 S \* 5/1998 Yarbrough ..... D6/300
- D470,149 S \* 2/2003 West ..... D14/447
- 7,798,530 B1 \* 9/2010 Mercado ..... A47B 23/044  
281/42
- D643,223 S \* 8/2011 Harding ..... D6/310
- D643,635 S \* 8/2011 Harding ..... D6/310
- D647,326 S \* 10/2011 Kellett ..... D6/682.4
- D683,973 S \* 6/2013 Pitts Brown ..... D6/310

- D696,031 S \* 12/2013 Pitts Brown ..... D6/310
- D714,302 S \* 9/2014 Fujioka ..... D14/447
- D842,862 S \* 3/2019 Ellis ..... D14/447
- 2012/0006951 A1 \* 1/2012 Lin ..... F16M 13/00  
248/188.6

**FOREIGN PATENT DOCUMENTS**

GB 6023768 \* 12/2017

\* cited by examiner

*Primary Examiner* — Angela J Lee

(74) *Attorney, Agent, or Firm* — QuickPatents, LLC;  
Kevin Prince

(57) **CLAIM**

The ornamental design for a portable electronic device stand, as shown and described.

**DESCRIPTION**

FIG. 1 is a perspective view of a portable electronic device stand, showing my new design in an unfolded configuration ready for use;

FIG. 2 is a perspective view thereof, illustrated in a folded configuration;

FIG. 3 is a left-side elevational view of FIG. 2, the right-side elevational view being a mirror image thereof;

FIG. 4 is a rear elevational view of FIG. 2;

FIG. 5 is a front elevational view of FIG. 2;

FIG. 6 is a top plan view of FIG. 2;

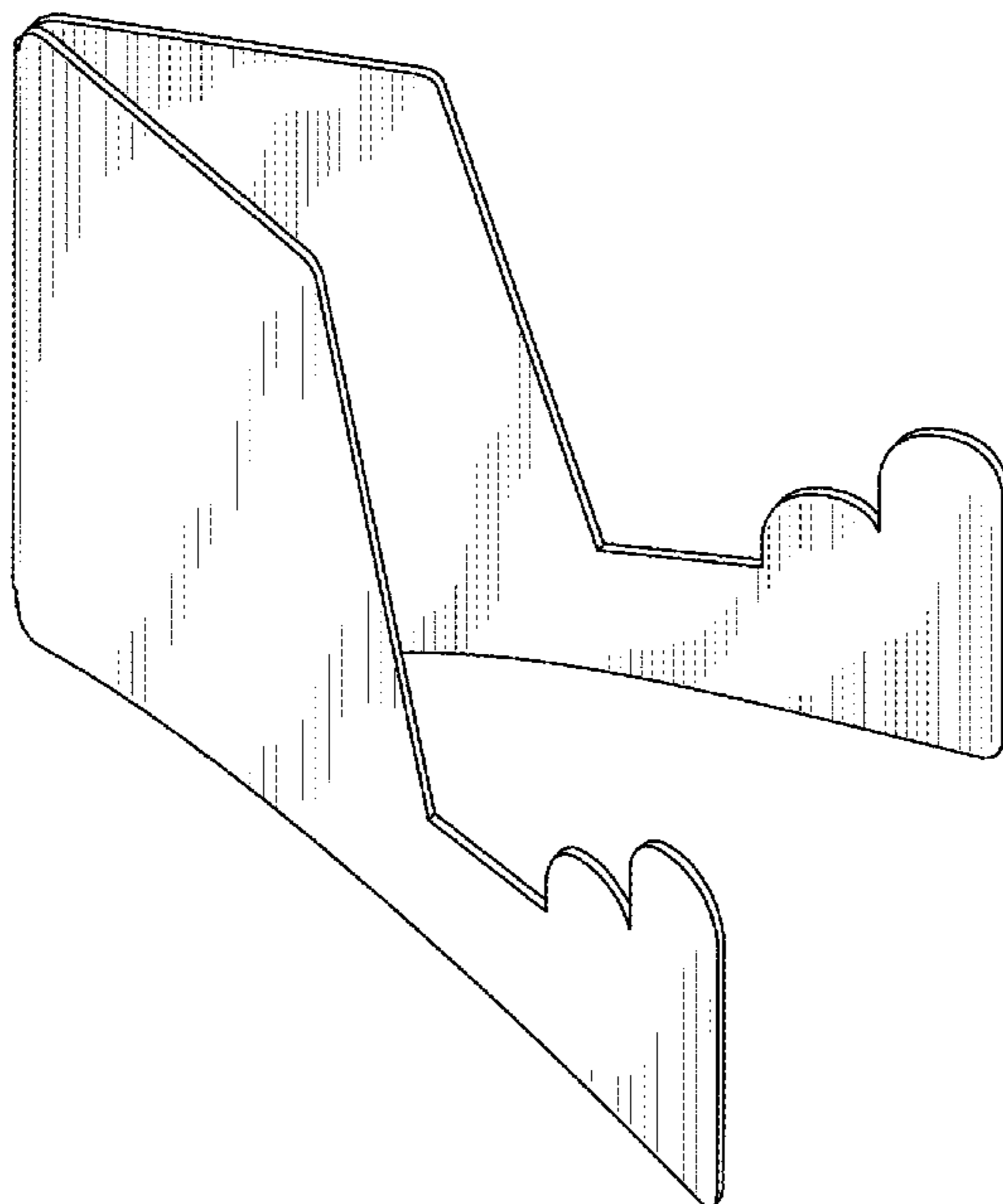
FIG. 7 is a bottom plan view of FIG. 2;

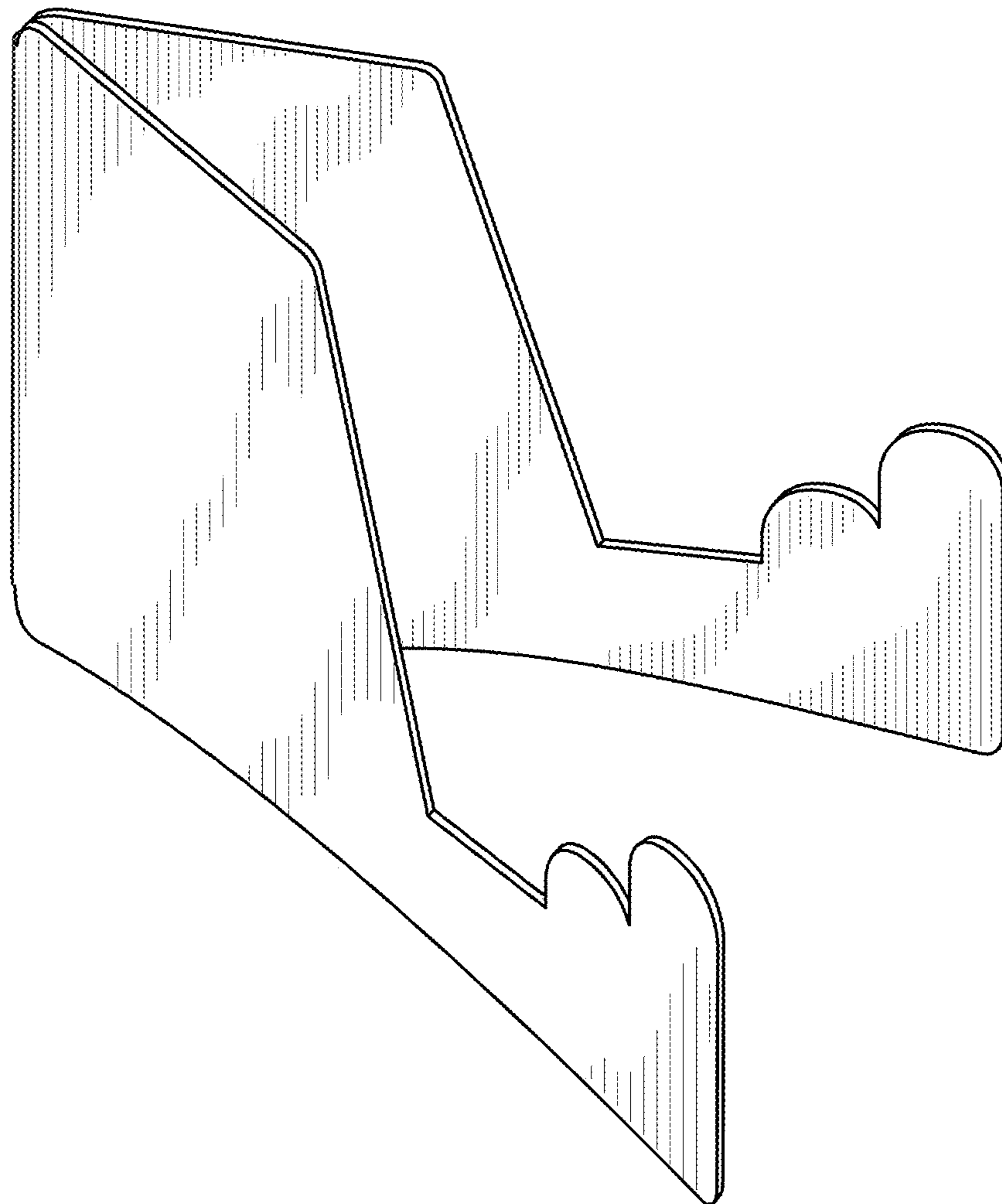
FIG. 8 is a perspective view of FIG. 1, illustrated in-use with a portable electronic device; and,

FIG. 9 is a perspective view of FIG. 2, illustrated as stored in the folded configuration in a wallet.

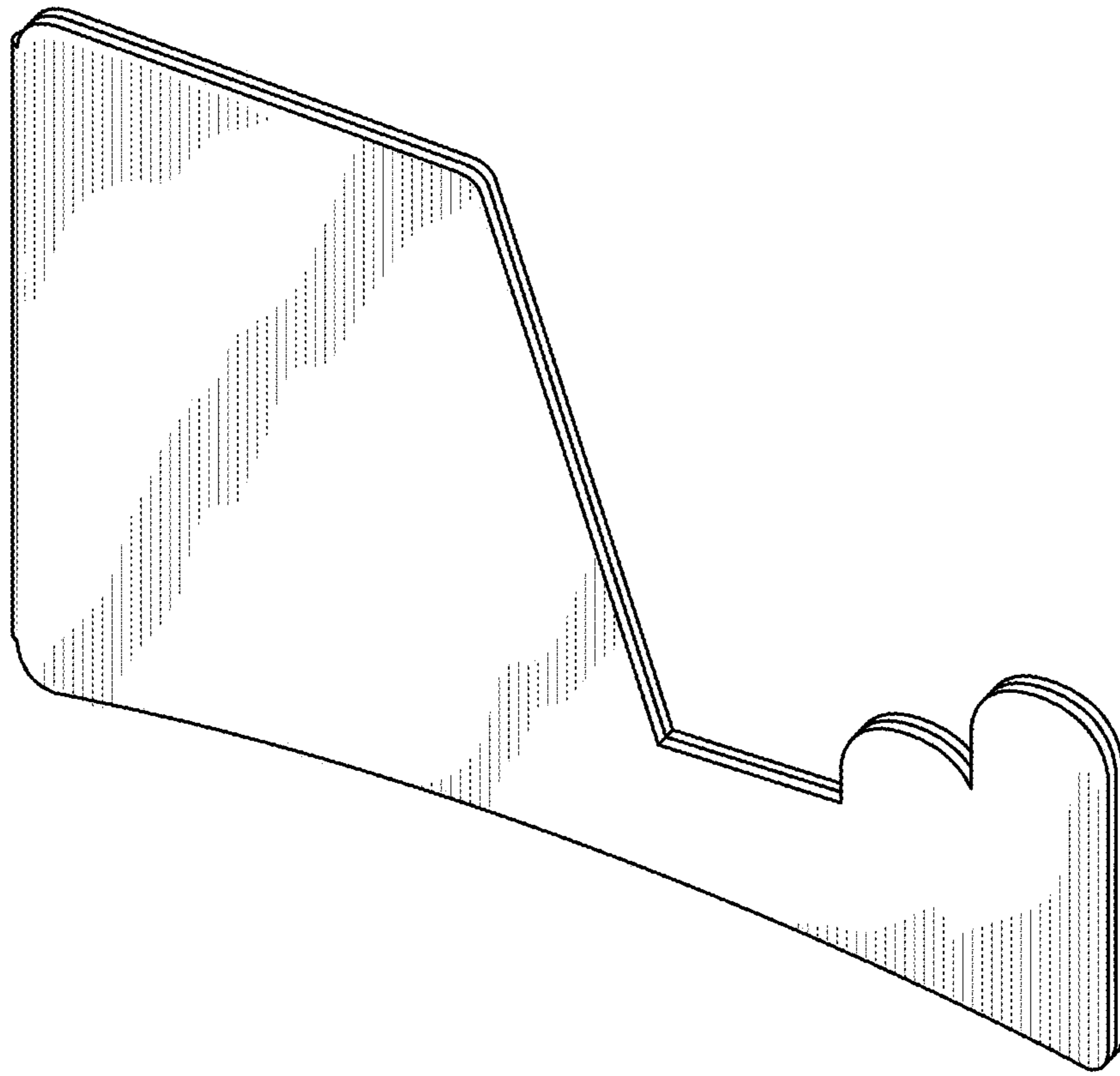
The broken lines showing a portable electronic device in FIG. 8 and a wallet in FIG. 9 depict environmental matter and form no part of the claimed design.

**1 Claim, 6 Drawing Sheets**

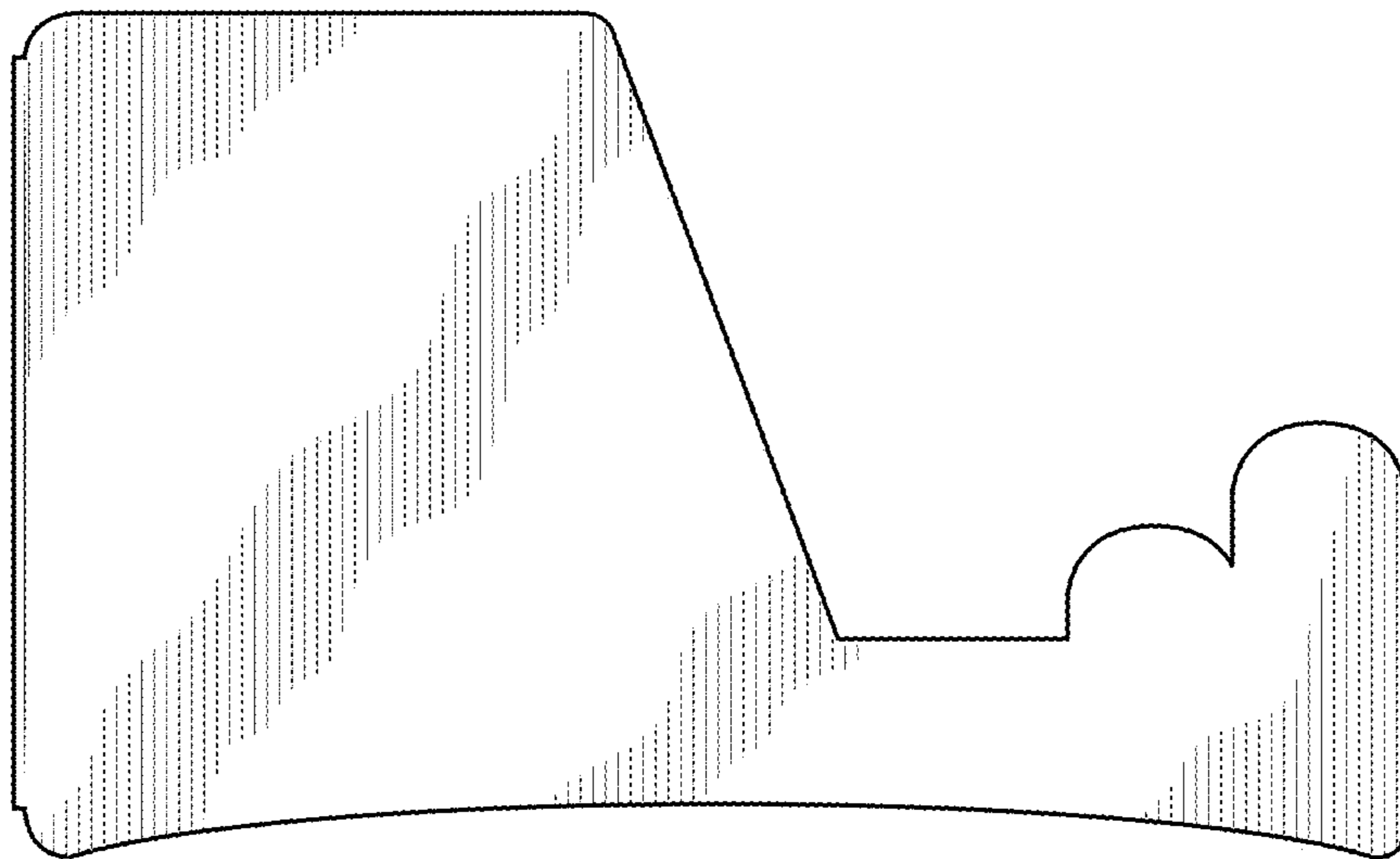




**FIG. 1**



**FIG. 2**



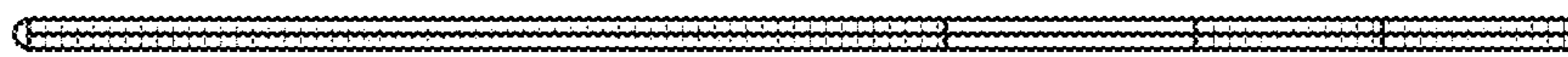
**FIG. 3**



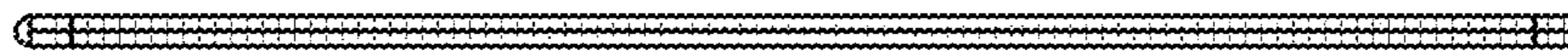
**FIG. 4**



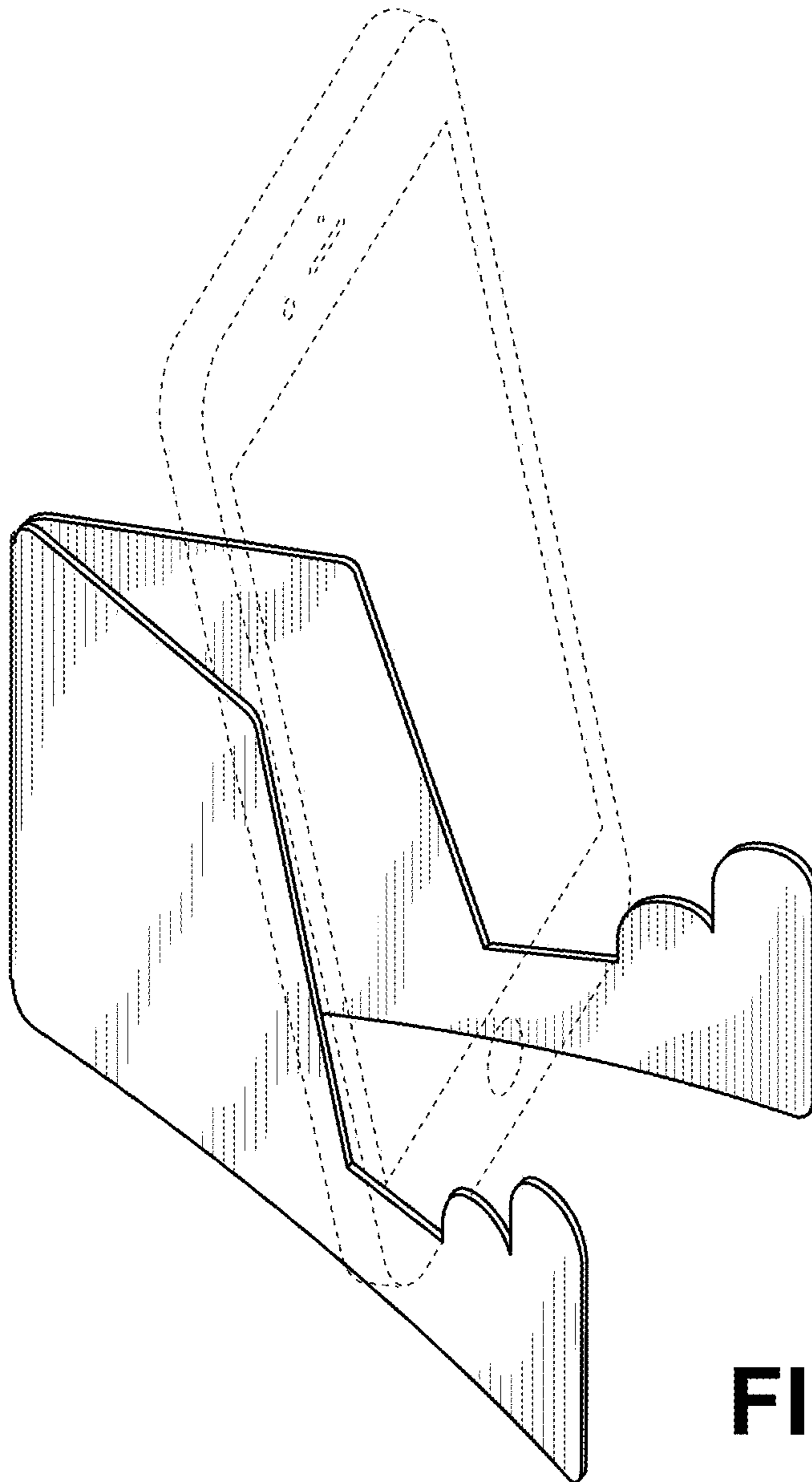
**FIG. 5**

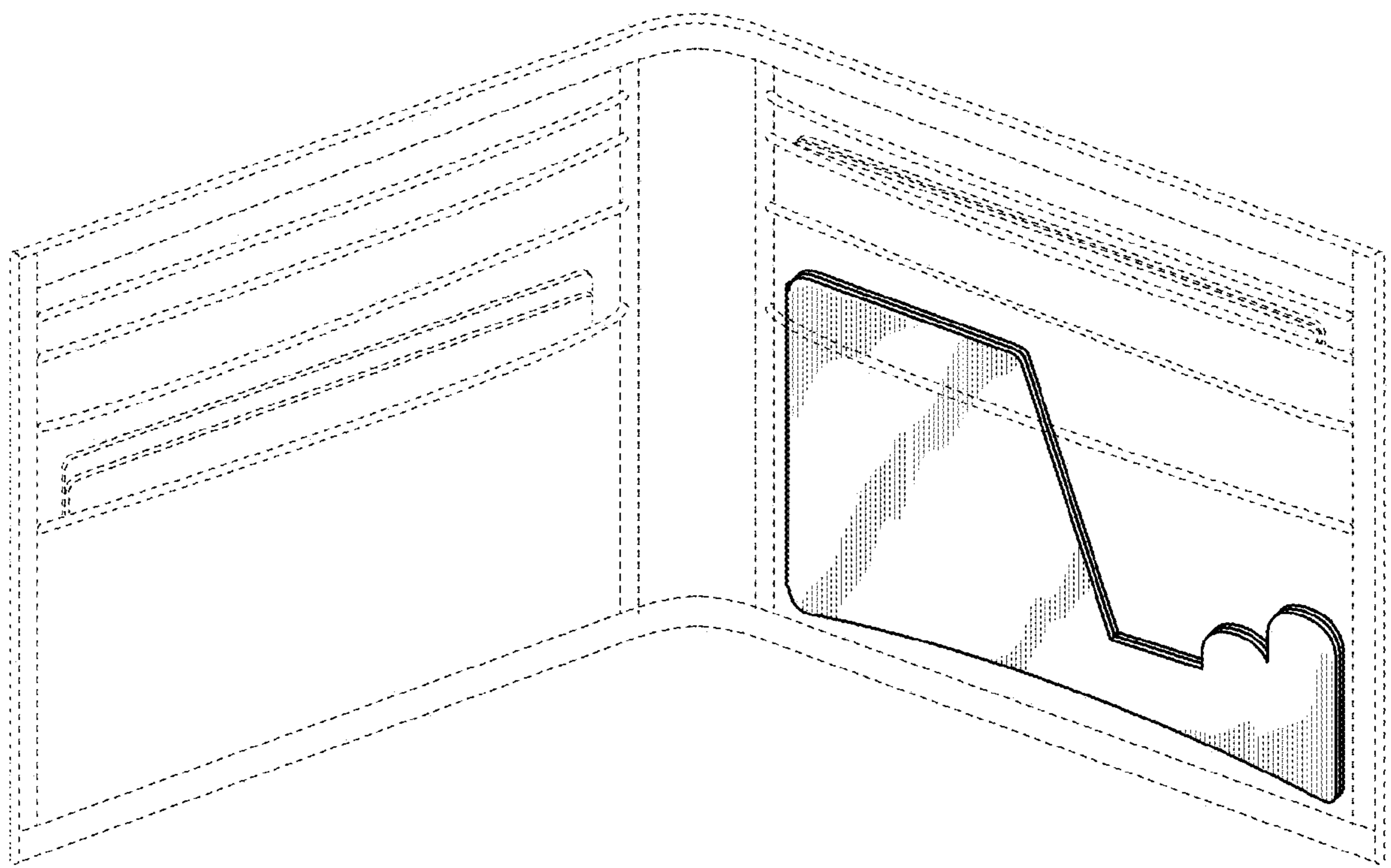


**FIG. 6**



**FIG. 7**





**FIG. 9**