



US00D914025S

(12) **United States Design Patent**
Oh et al.

(10) **Patent No.:** **US D914,025 S**

(45) **Date of Patent:** **** *Mar. 23, 2021**

(54) **STAND FOR ELECTRONIC DEVICE**

(71) Applicants: **Se Hoon Oh**, Los Angeles, CA (US);
Tae-Young Goh, Seoul (KR)

(72) Inventors: **Se Hoon Oh**, Los Angeles, CA (US);
Tae-Young Goh, Seoul (KR)

(*) Notice: This patent is subject to a terminal disclaimer.

(**) Term: **15 Years**

(21) Appl. No.: **29/639,943**

(22) Filed: **Mar. 9, 2018**

(30) **Foreign Application Priority Data**

Sep. 22, 2017 (KR) 30-2017-0044516

(51) **LOC (13) Cl.** **08-07**

(52) **U.S. Cl.**
USPC **D14/447**

(58) **Field of Classification Search**
USPC D14/447, 432, 434, 439, 440, 451, 452,
D14/457, 239; D8/363, 373, 380;
D6/406.3, 406.4, 406.5, 406.6, 691.1;
D12/415; D21/330, 331
CPC A47B 21/04; A47B 2097/006; A47B
2097/005; A47B 2023/049; A45C
2011/002; A45C 2011/003; F16M
2200/00; F16M 13/00
See application file for complete search history.

(56) **References Cited**

U.S. PATENT DOCUMENTS

D654,054 S * 2/2012 Kohte F16M 11/041
D14/217
D673,032 S * 12/2012 Tak D14/447

D684,980 S * 6/2013 Chun D14/447
D697,920 S * 1/2014 Fujioka D14/447
D703,678 S * 4/2014 Shubin, Sr. D14/447
D704,201 S * 5/2014 Shubin, Sr. D14/447
D748,099 S * 1/2016 Heid D14/447
D765,646 S * 9/2016 Deng D12/415
D780,743 S * 3/2017 Chun D14/253
D797,750 S * 9/2017 Wengreen D14/447
D804,487 S * 12/2017 Theis D14/447
D825,574 S * 8/2018 Davies D14/447

* cited by examiner

Primary Examiner — Angela J Lee

(74) *Attorney, Agent, or Firm* — Heedong Chae; Lucem, PC

(57) **CLAIM**

The ornamental design for a stand for electronic device, as shown and described.

DESCRIPTION

FIG. 1 is a front perspective view of a stand for electronic device showing our new design;
FIG. 2 is a front elevational view thereof;
FIG. 3 is a rear elevational view thereof;
FIG. 4 is a left side elevational view thereof;
FIG. 5 is a right side elevational view thereof;
FIG. 6 is a top plan view thereof;
FIG. 7 is a bottom plan view thereof; and,
FIG. 8 is a front perspective view thereof in an open position.
The broken lines depict environmental subject matter that form no part of the claimed design.

1 Claim, 8 Drawing Sheets

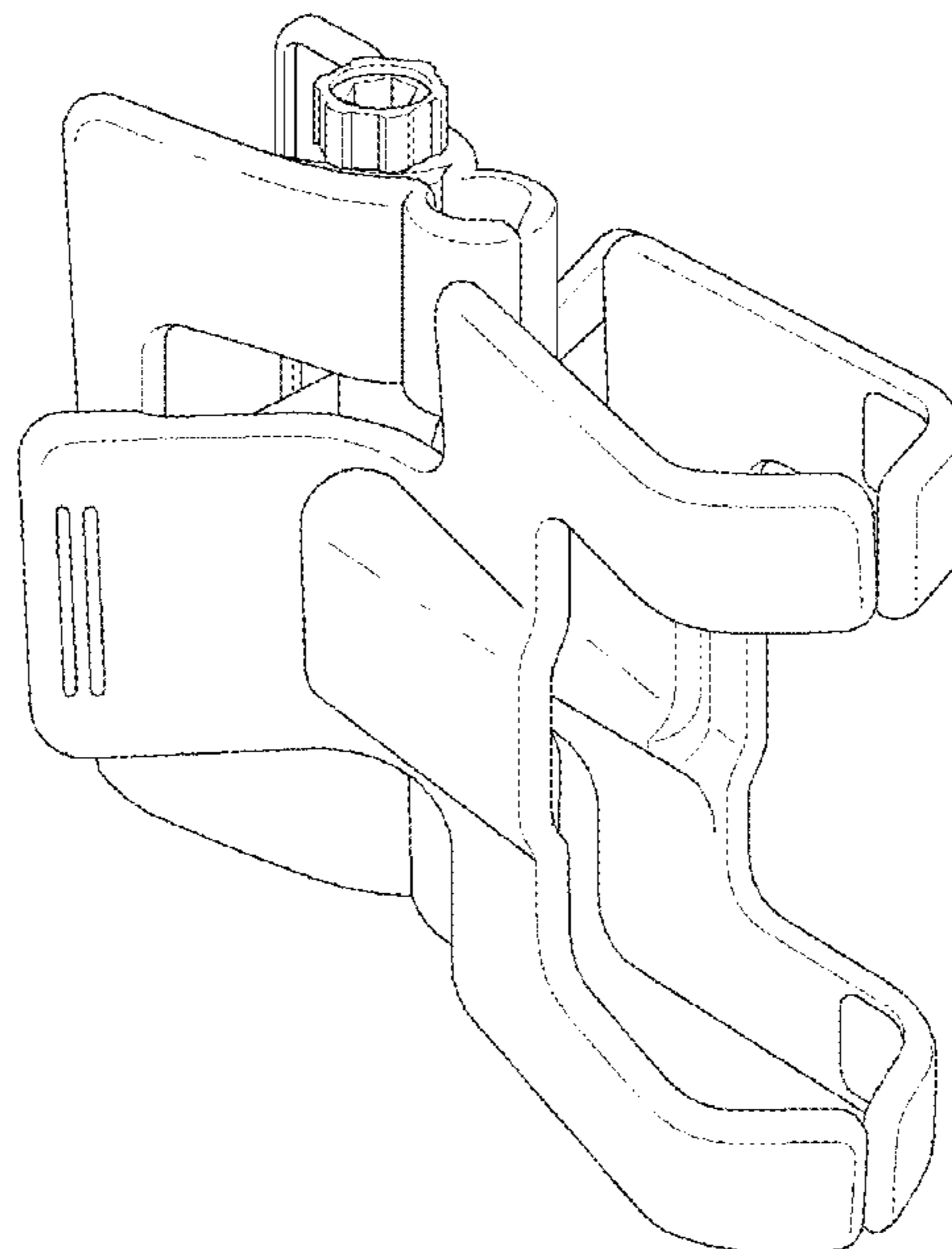


FIG. 1

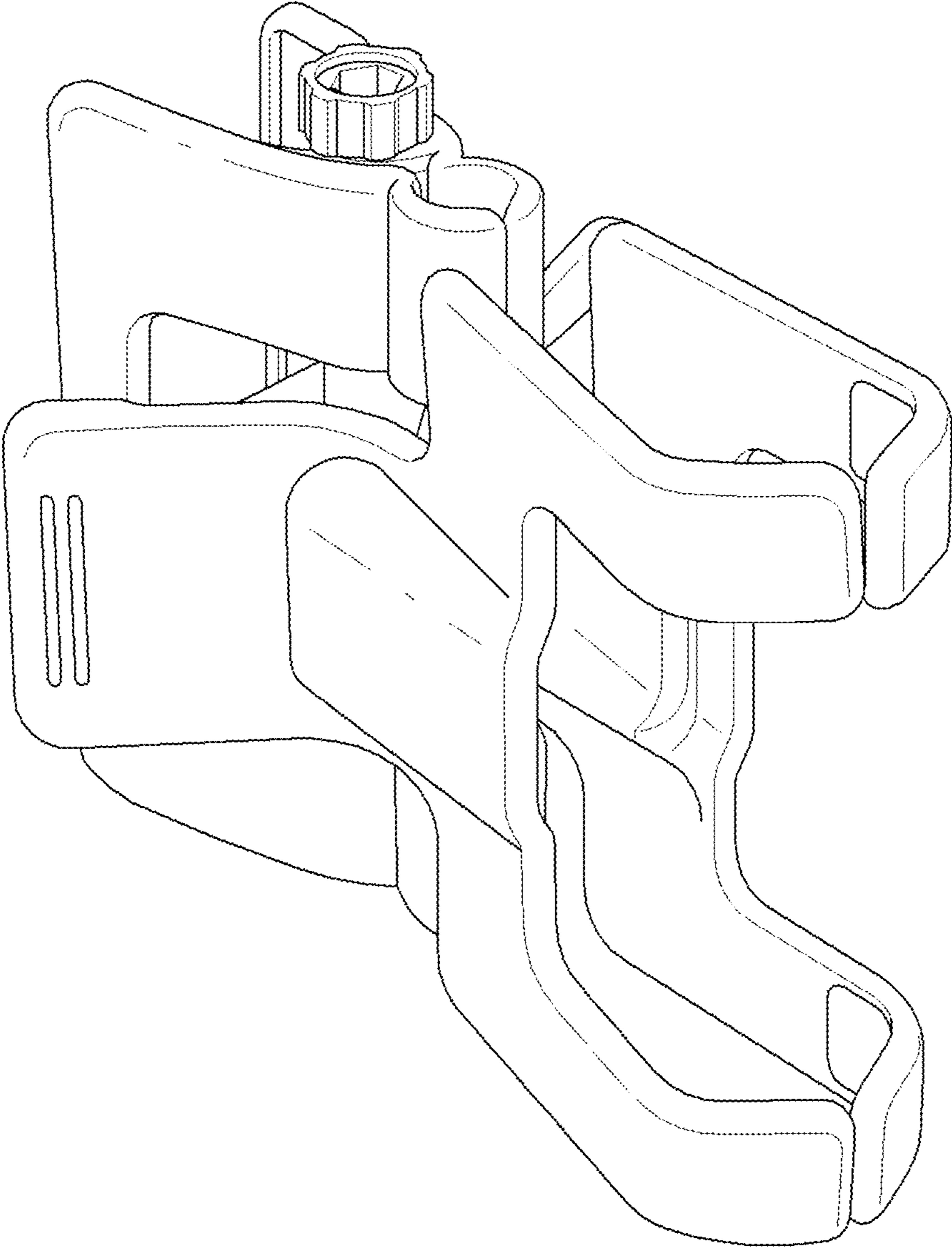


FIG. 2

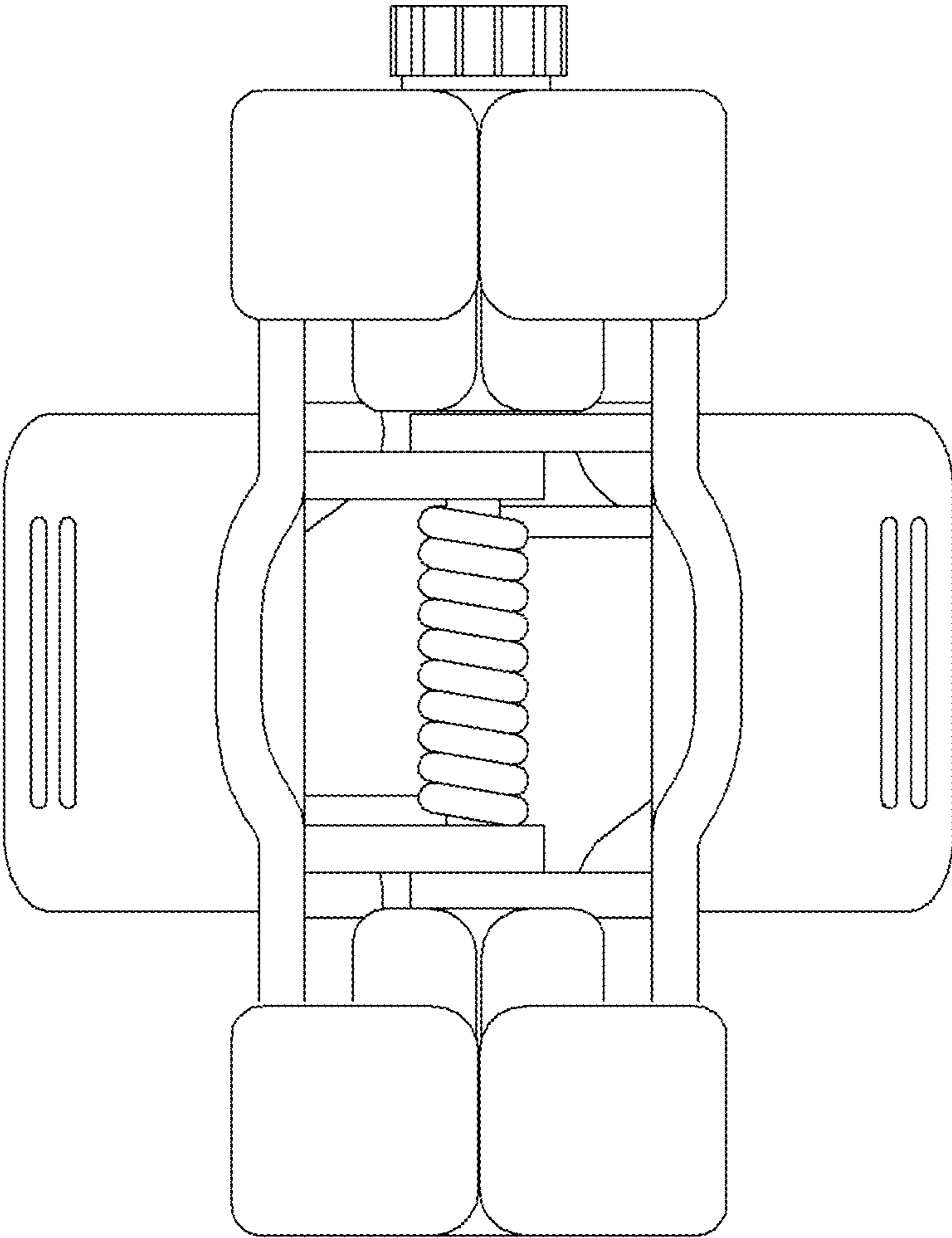


FIG. 3

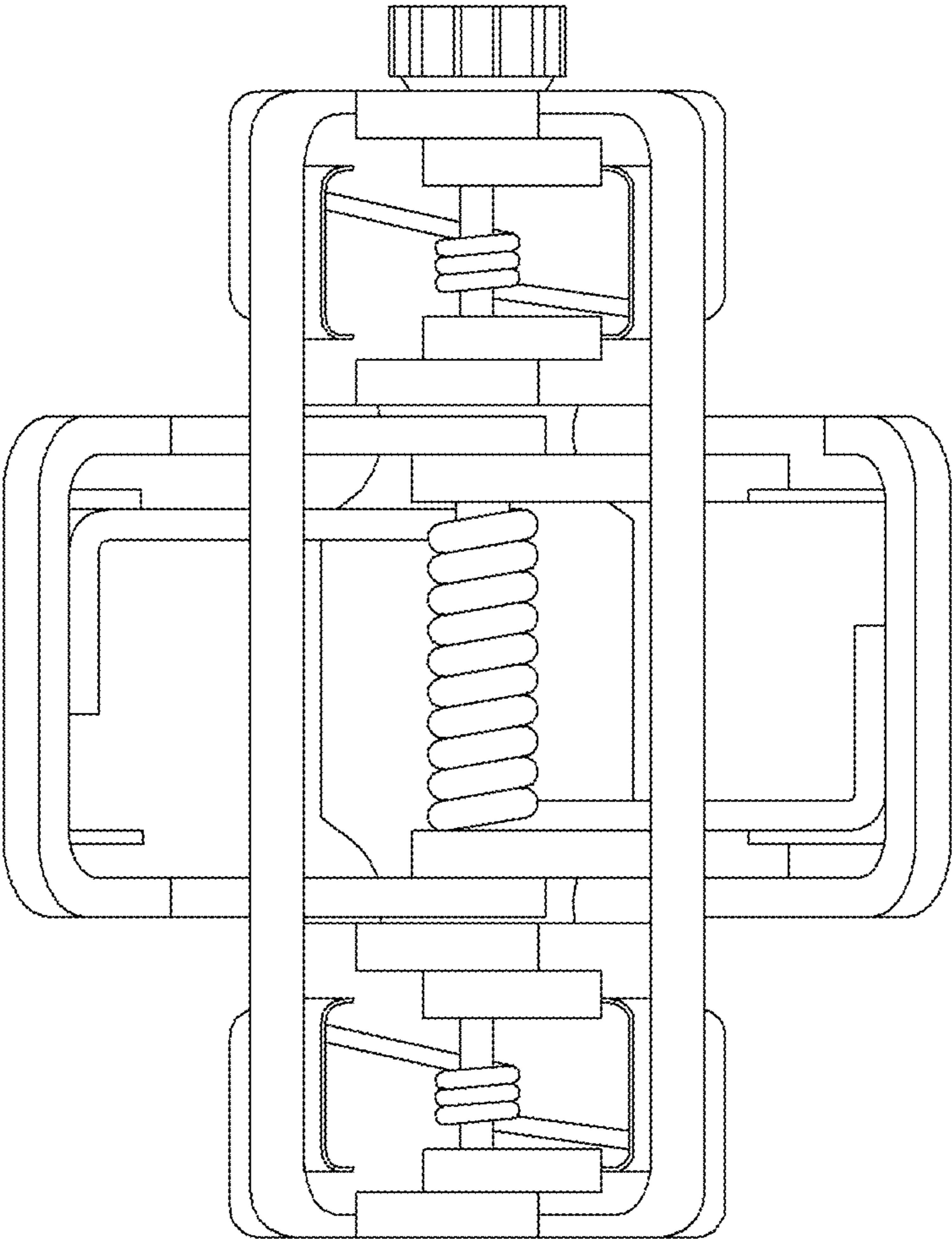


FIG. 4

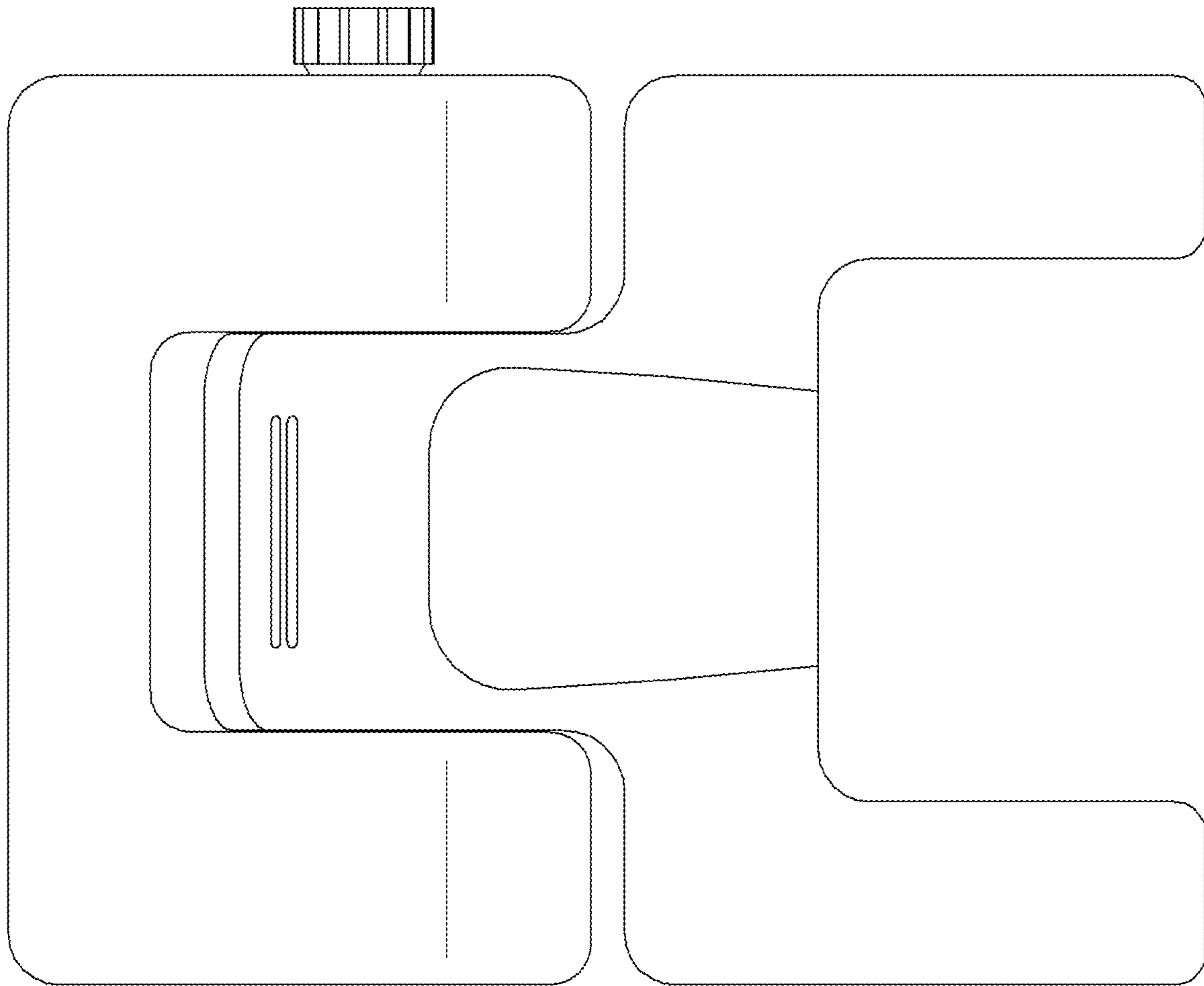


FIG. 5

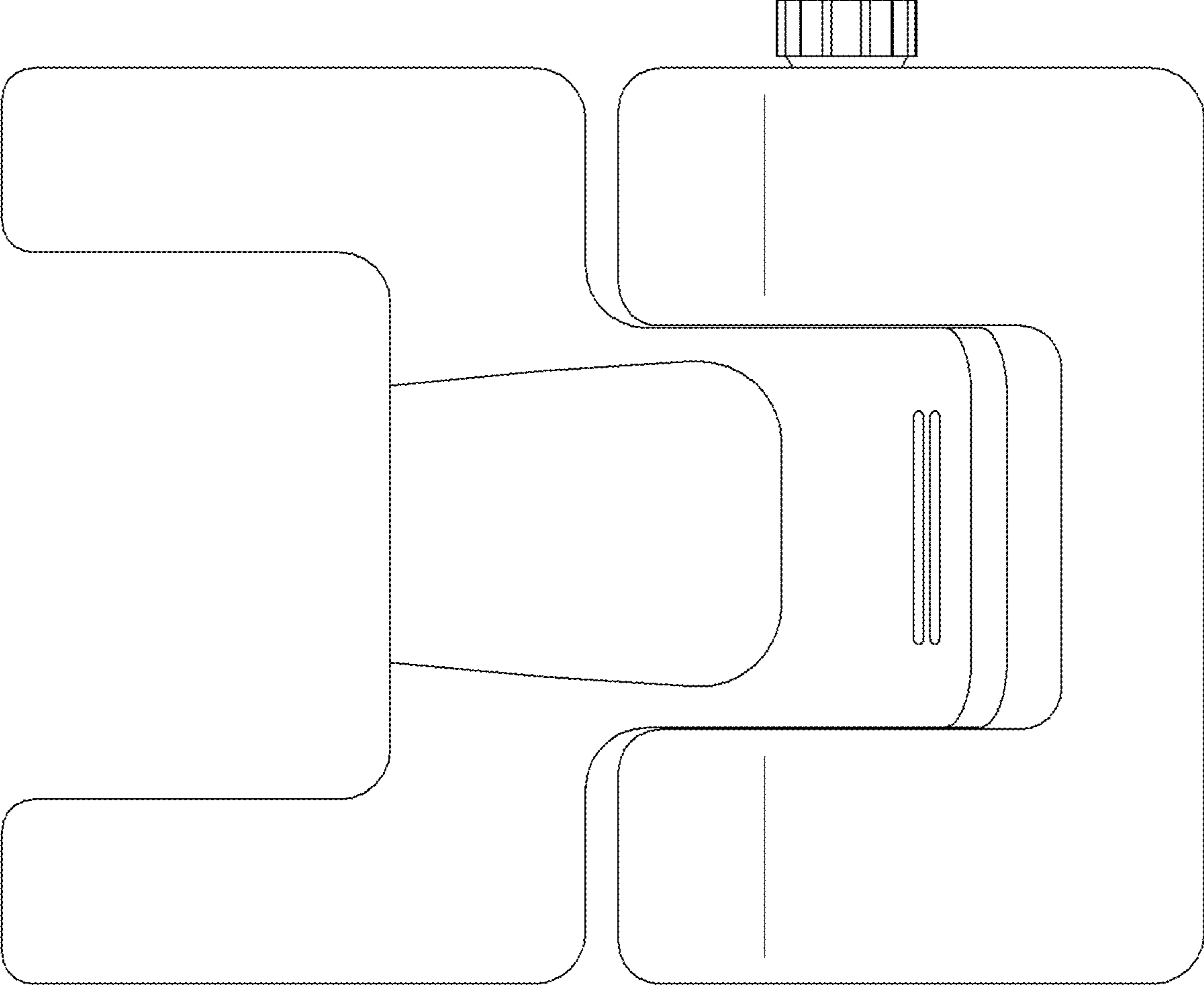


FIG. 6

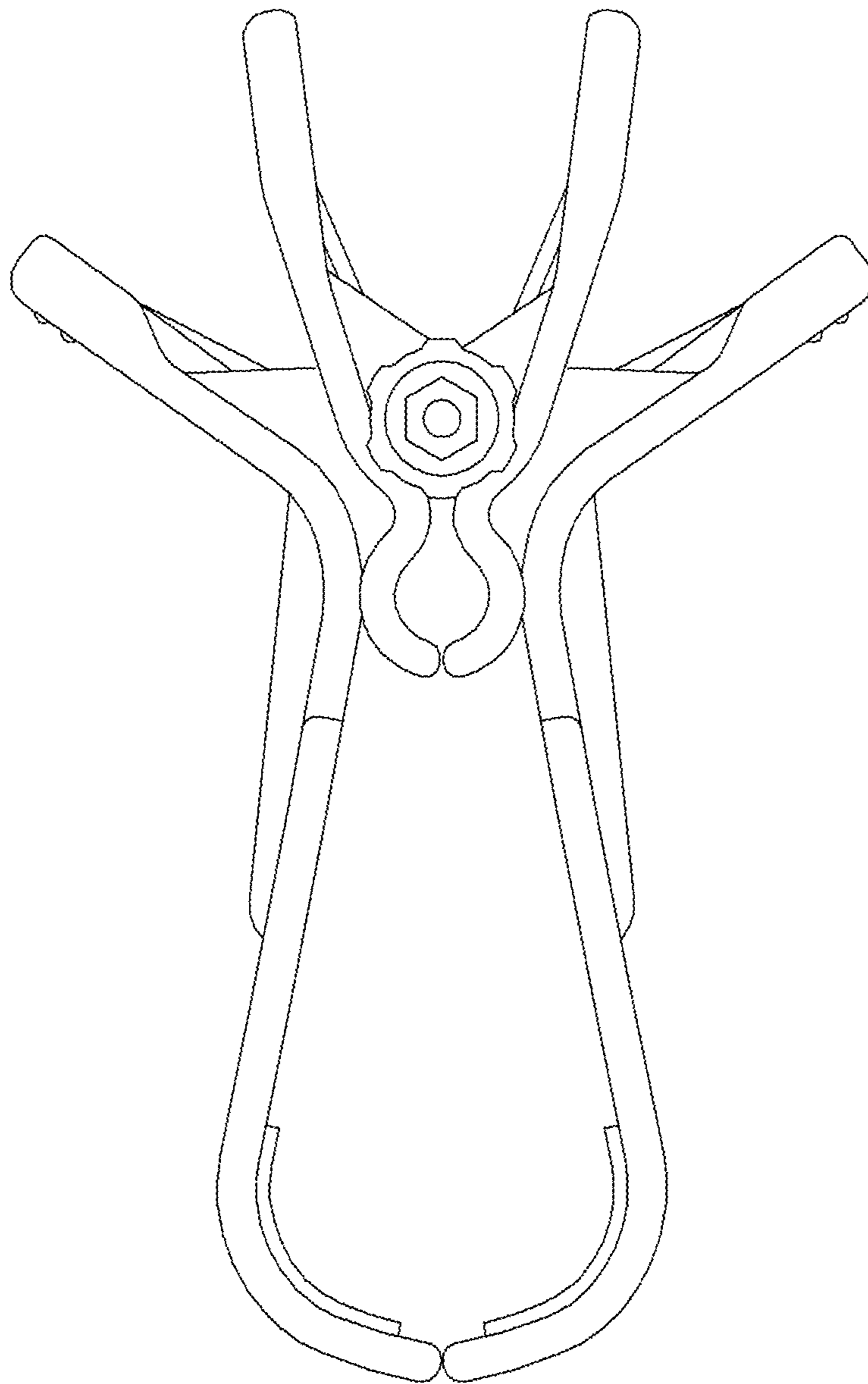


FIG. 7

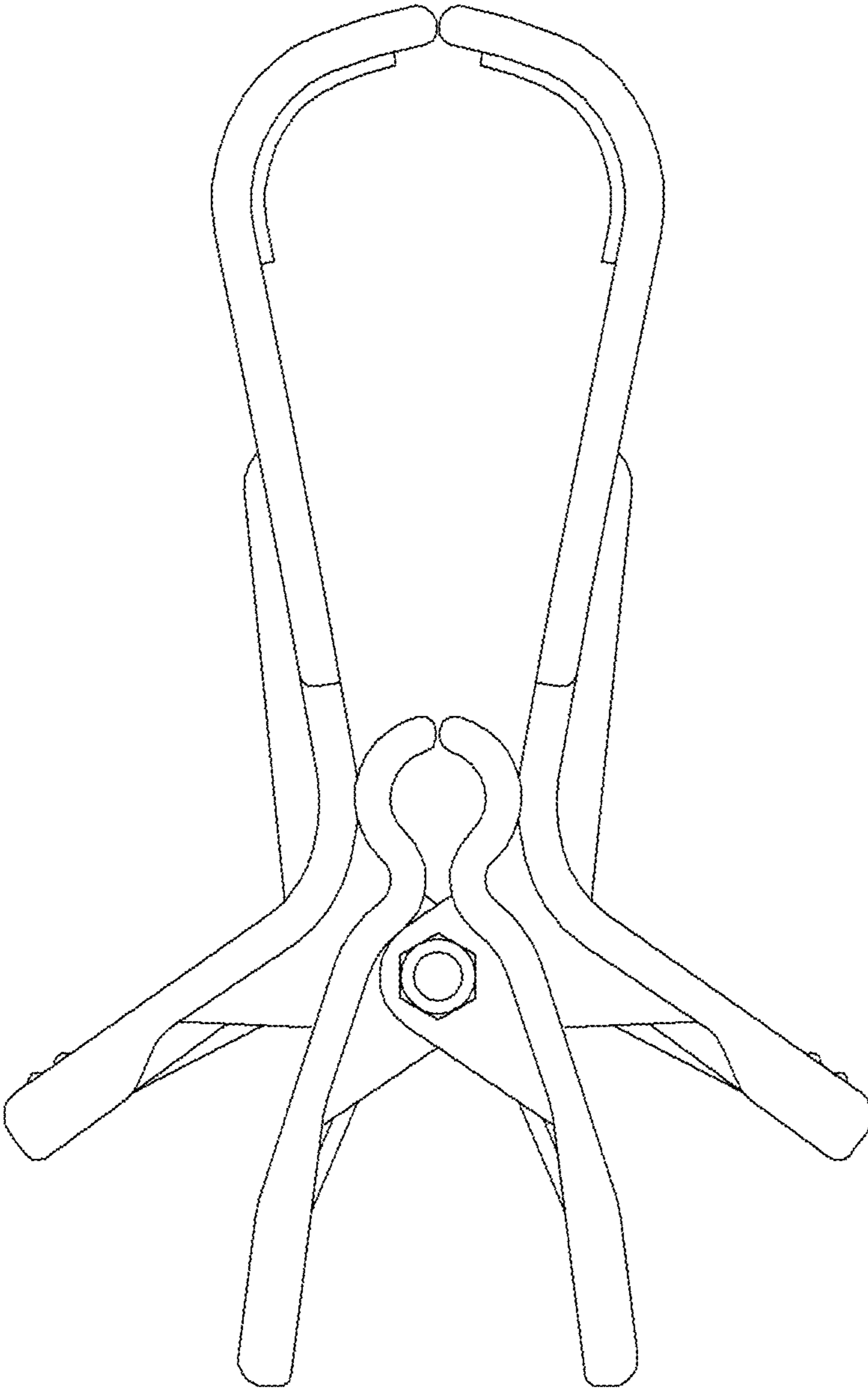


FIG. 8

