



US00D914020S

(12) **United States Design Patent**
Wei et al.

(10) **Patent No.:** **US D914,020 S**
(45) **Date of Patent:** **** Mar. 23, 2021**

- (54) **DISPLAY DEVICE**
- (71) Applicant: **HTC Corporation**, Taoyuan (TW)
- (72) Inventors: **Chang-Hua Wei**, Taoyuan (TW);
Shih-Hsiu Lee, Taoyuan (TW);
Yu-Chuan Chang, Taoyuan (TW)
- (73) Assignee: **HTC CORPORATION**, Taoyuan (TW)
- (**) Term: **15 Years**
- (21) Appl. No.: **29/750,463**
- (22) Filed: **Sep. 14, 2020**

Related U.S. Application Data

- (62) Division of application No. 29/717,376, filed on Dec. 17, 2019, which is a division of application No. 29/690,786, filed on May 10, 2019, now Pat. No. Des. 877,148, which is a division of application No. 29/631,267, filed on Dec. 28, 2017, now Pat. No. Des. 856,330.

- (51) **LOC (13) Cl.** **14-02**
- (52) **U.S. Cl.**
USPC **D14/372**

- (58) **Field of Classification Search**
USPC D14/372, 496, 432, 371, 125, 126, 129,
D14/299; D16/300-342; 351/158, 153,
351/144; 345/7-9, 905; 455/344;
348/115, 53, 121, 739
CPC G02B 27/017; G02B 27/0158; G02B
27/0161; G02B 27/0181; G02B 27/0185;
G02B 27/0189

See application file for complete search history.

(56) **References Cited**

U.S. PATENT DOCUMENTS

- D805,073 S * 12/2017 Yee D14/372
- D810,743 S 2/2018 Yee et al.

- D815,637 S 4/2018 Li
- D819,634 S 6/2018 Pang et al.
- D819,635 S 6/2018 Miller et al.
- D819,636 S 6/2018 Chen et al.
- D822,659 S 7/2018 Spio
- D827,642 S 9/2018 Liu et al.
- D829,208 S * 9/2018 Dallmeyer D14/372
- D831,029 S 10/2018 Gu
- D834,018 S 11/2018 Wei et al.
- D838,719 S * 1/2019 Wei D14/372
- D839,871 S 2/2019 Wei et al.
- D839,872 S * 2/2019 Wei D14/372
- D856,330 S * 8/2019 Wei D14/372
- D859,408 S * 9/2019 Natsume D14/372
- D860,200 S 9/2019 McGinty, Jr. et al.

(Continued)

Primary Examiner — Austin Murphy

(74) *Attorney, Agent, or Firm* — Birch, Stewart, Kolasch & Birch, LLP

(57) **CLAIM**

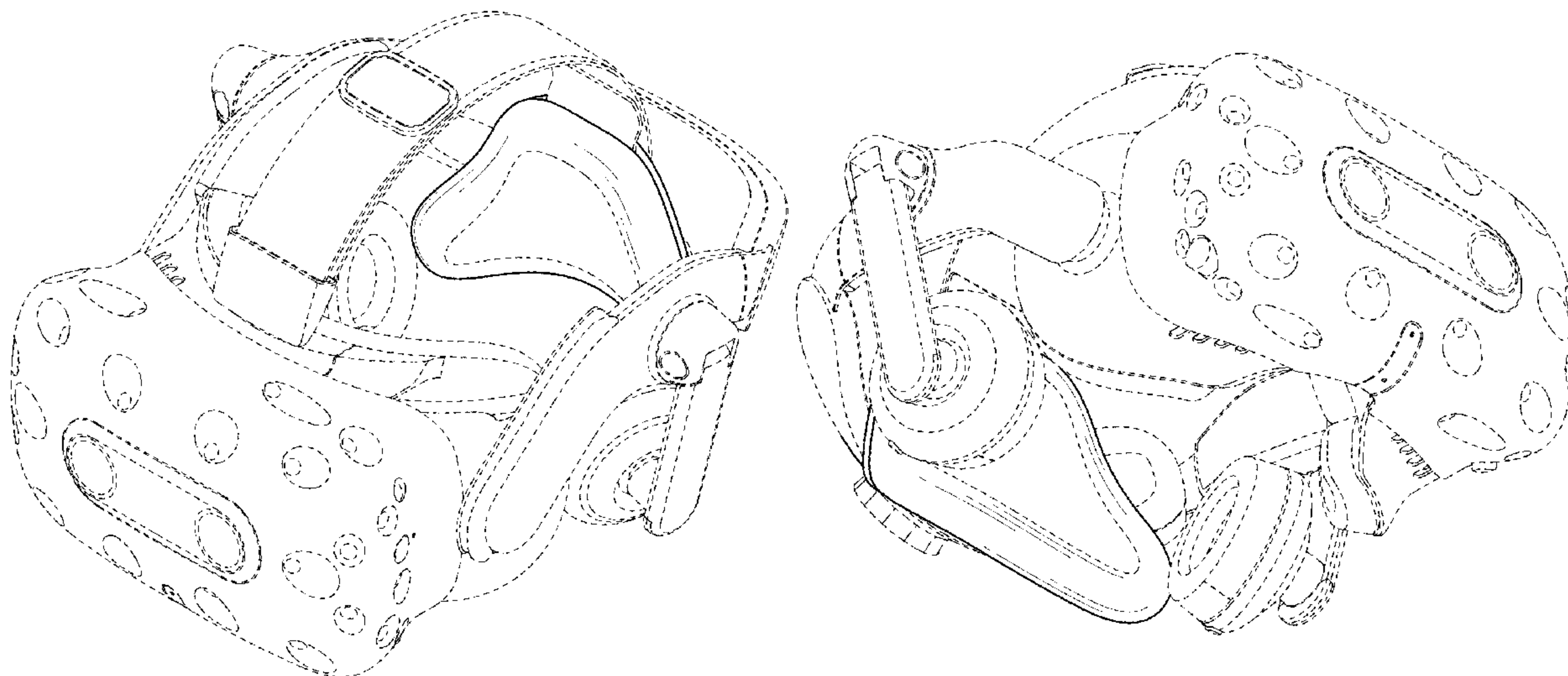
The ornamental design for a display device, as shown and described.

DESCRIPTION

FIG. 1 is a top perspective view of a display device showing our new design;
 FIG. 2 is a front elevation view thereof;
 FIG. 3 is a rear elevation view thereof;
 FIG. 4 is a left elevation view thereof;
 FIG. 5 is a right elevation view thereof;
 FIG. 6 is a top plan view thereof;
 FIG. 7 is a bottom plan view thereof; and,
 FIG. 8 is a bottom perspective view thereof.

The broken lines immediately adjacent the claimed areas represent the bounds of the claimed design while all other broken lines are directed to environment and are for illustrative purposes only. The broken lines form no part of the claimed design.

1 Claim, 6 Drawing Sheets



(56)

References Cited

U.S. PATENT DOCUMENTS

D877,148 S *	3/2020	Wei	D14/372
D882,568 S	4/2020	Park	
D883,980 S	5/2020	Chen et al.	
D890,171 S *	7/2020	Wei	D14/372
D890,172 S *	7/2020	Wei	D14/372
D890,173 S *	7/2020	Wei	D14/372
D894,897 S *	9/2020	Wei	D14/372

* cited by examiner



FIG. 1

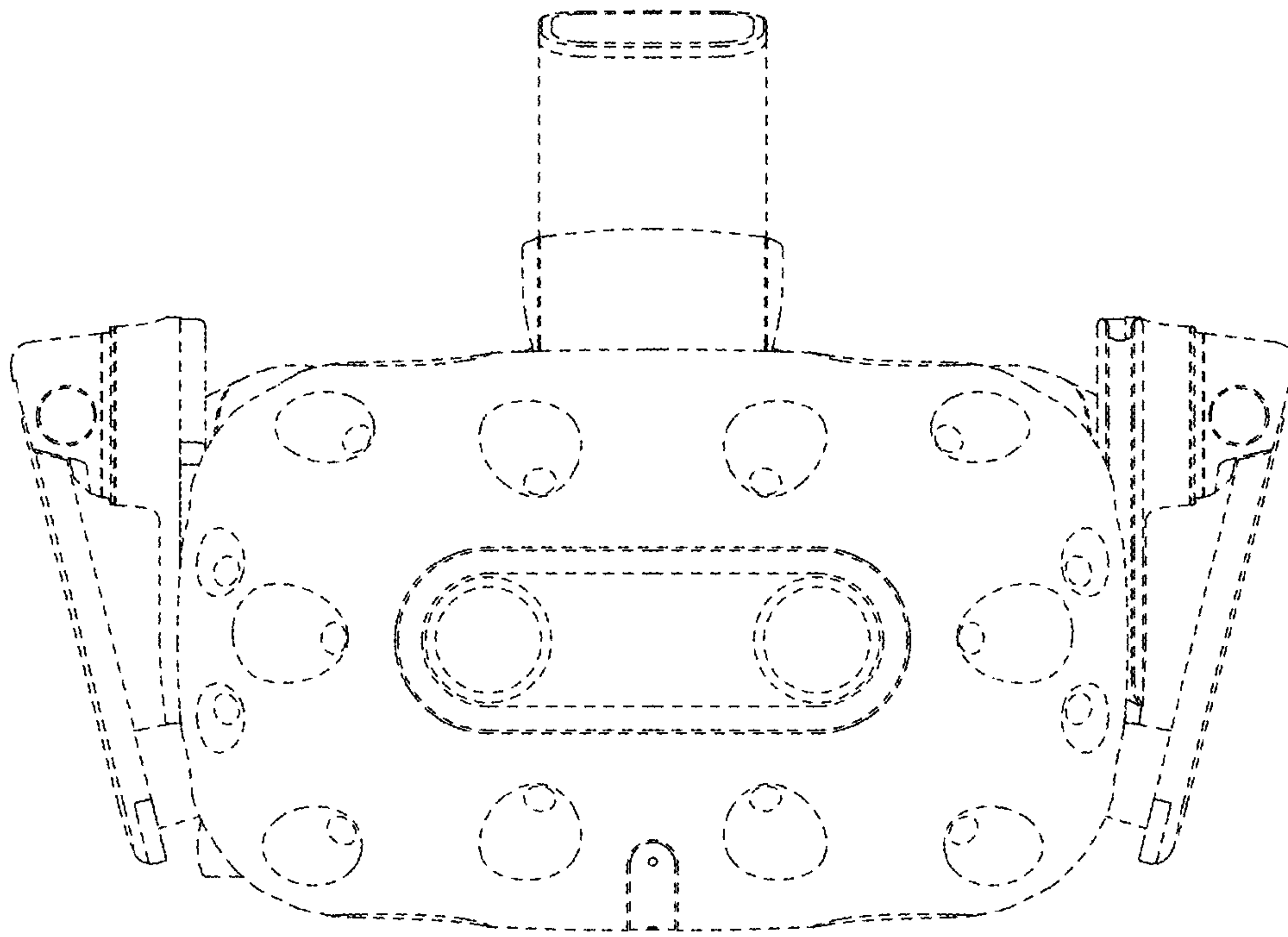


FIG. 2

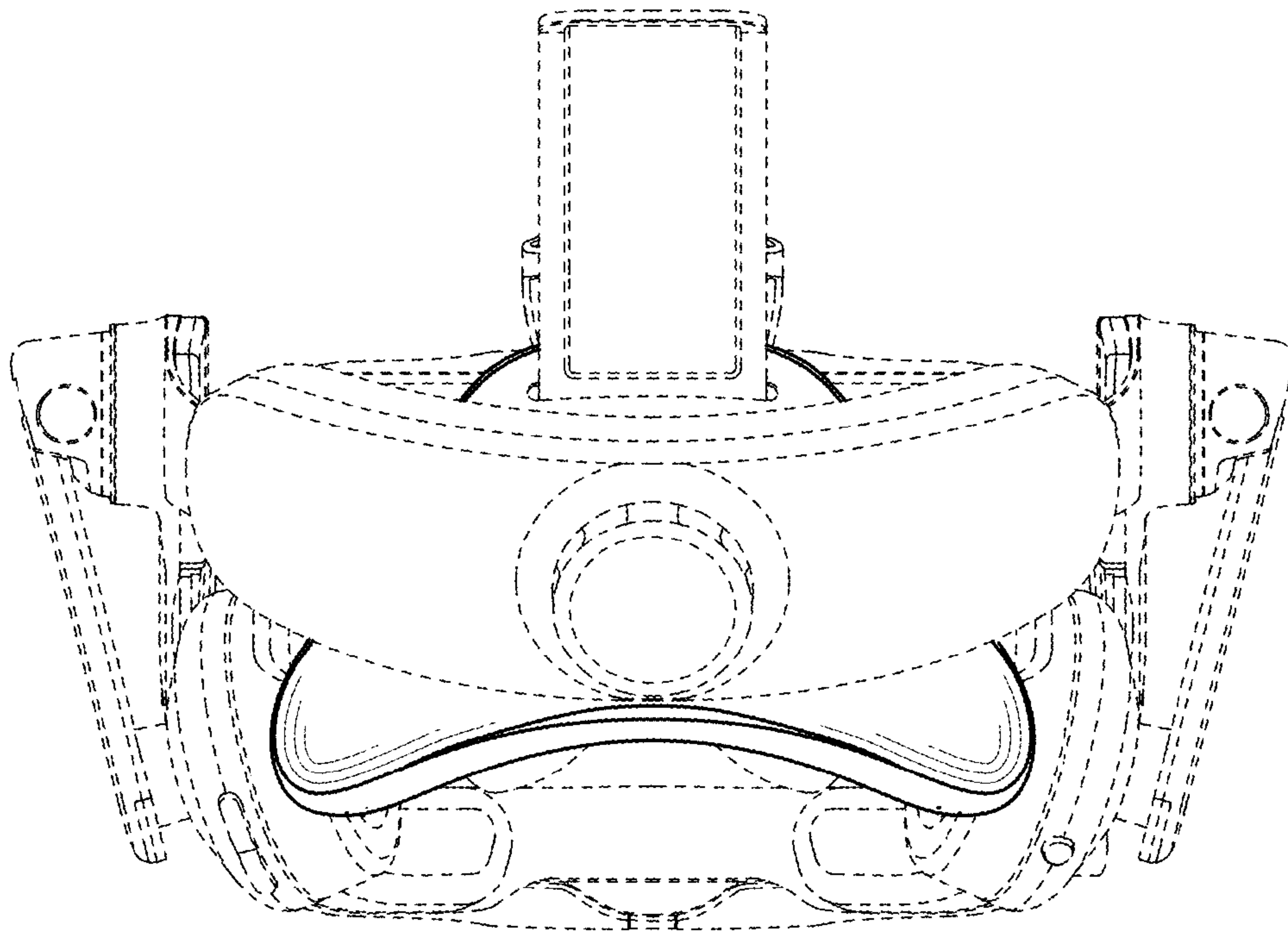


FIG. 3



FIG. 4

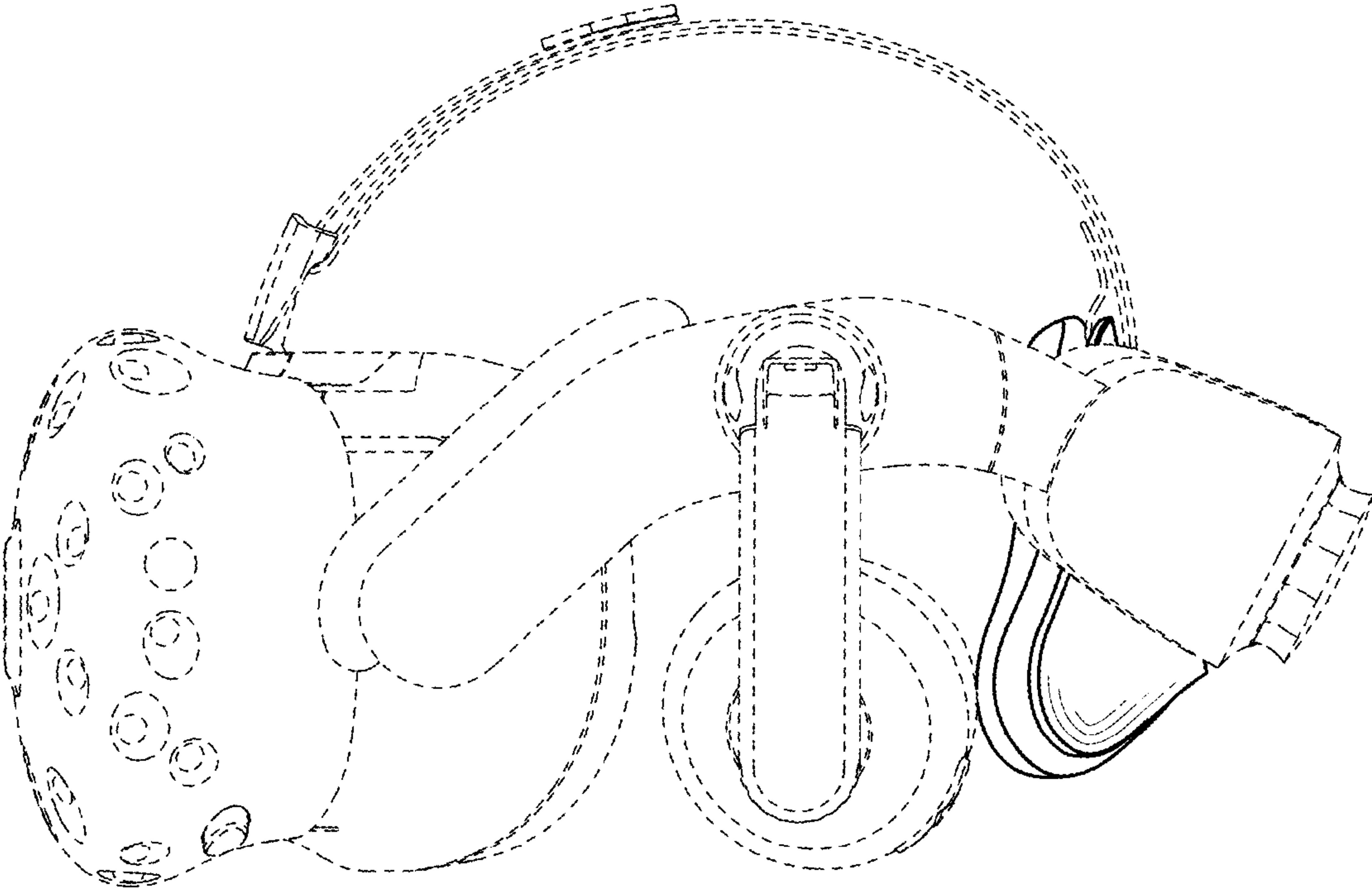


FIG. 5

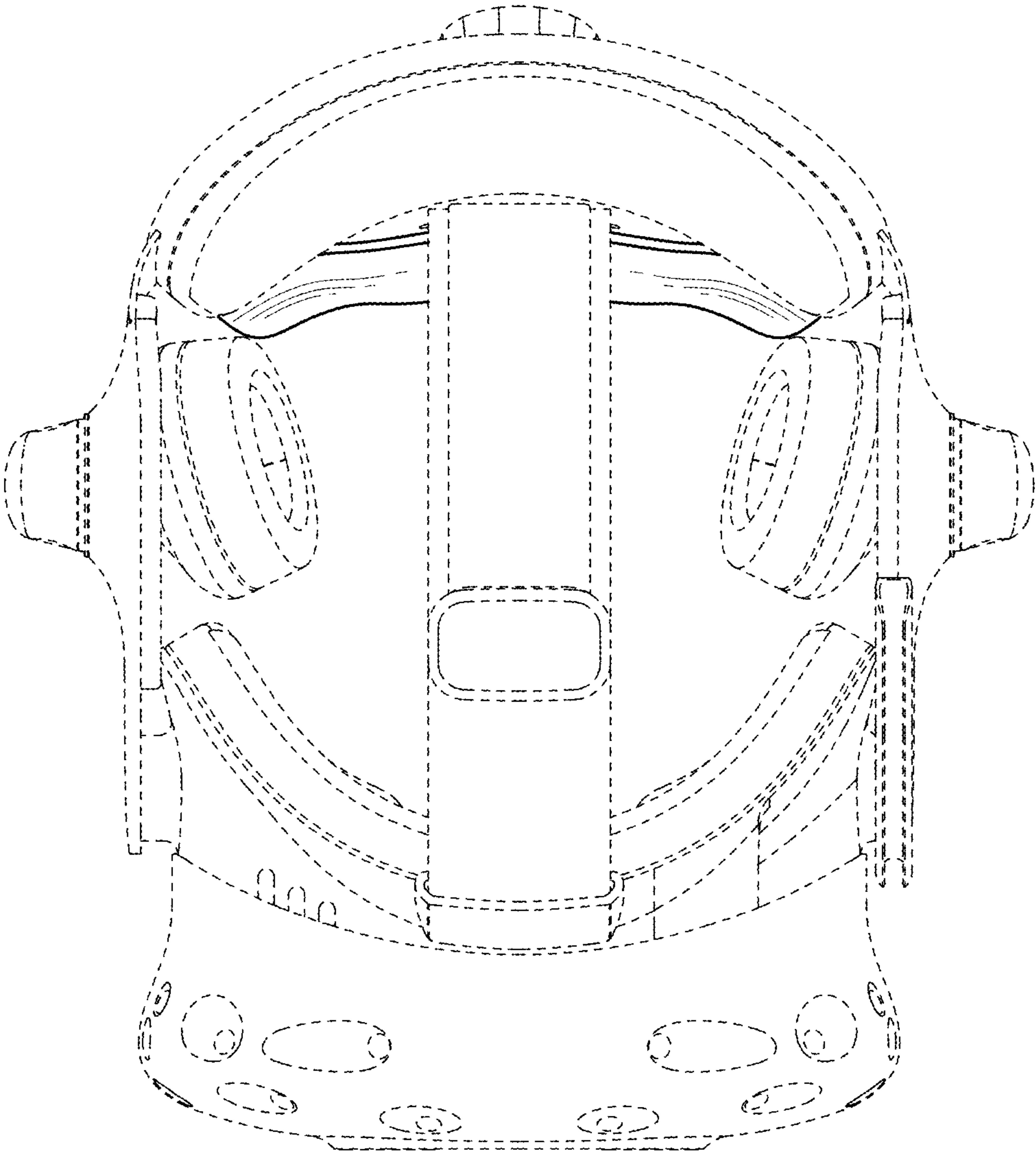


FIG. 6

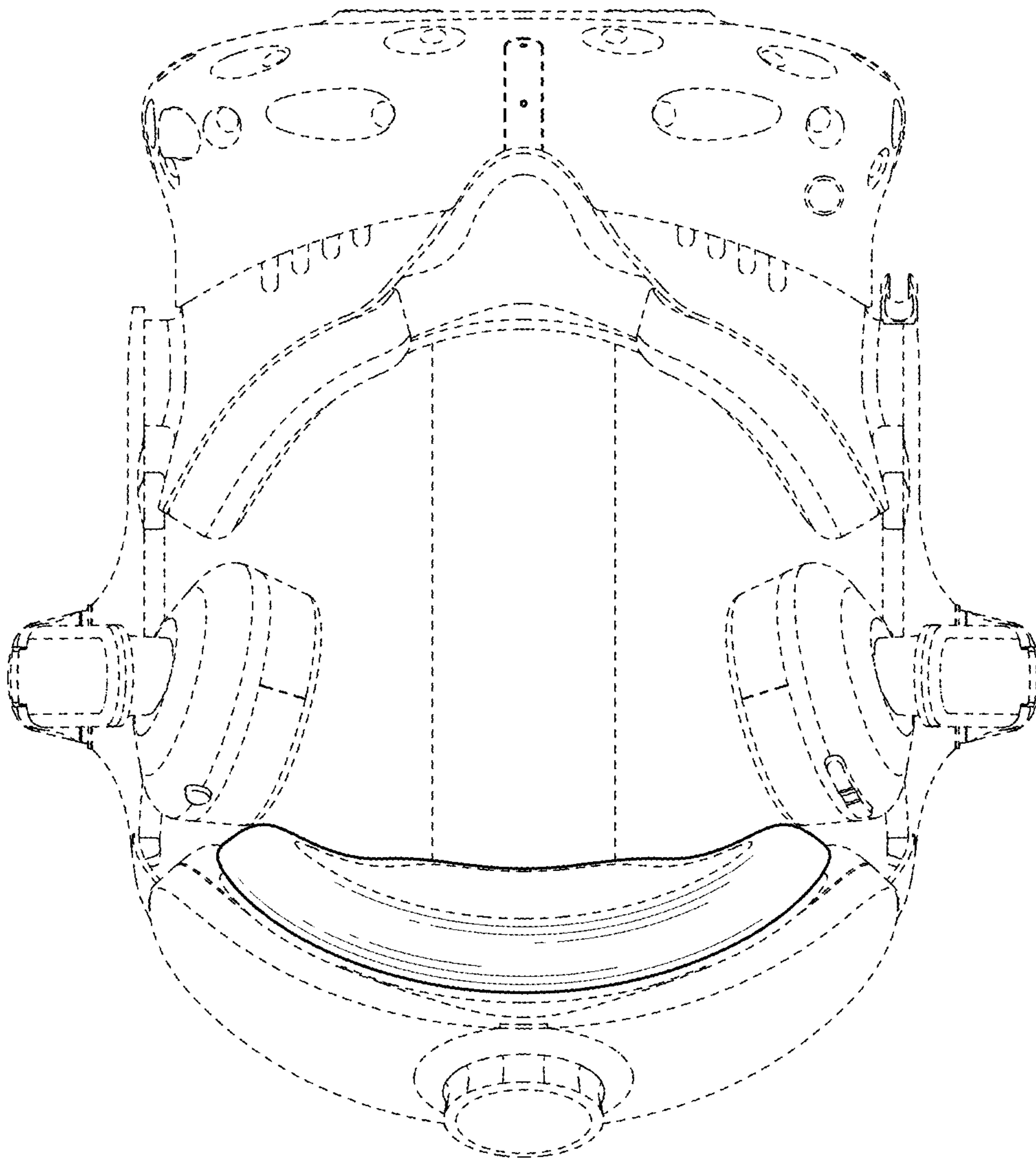


FIG. 7

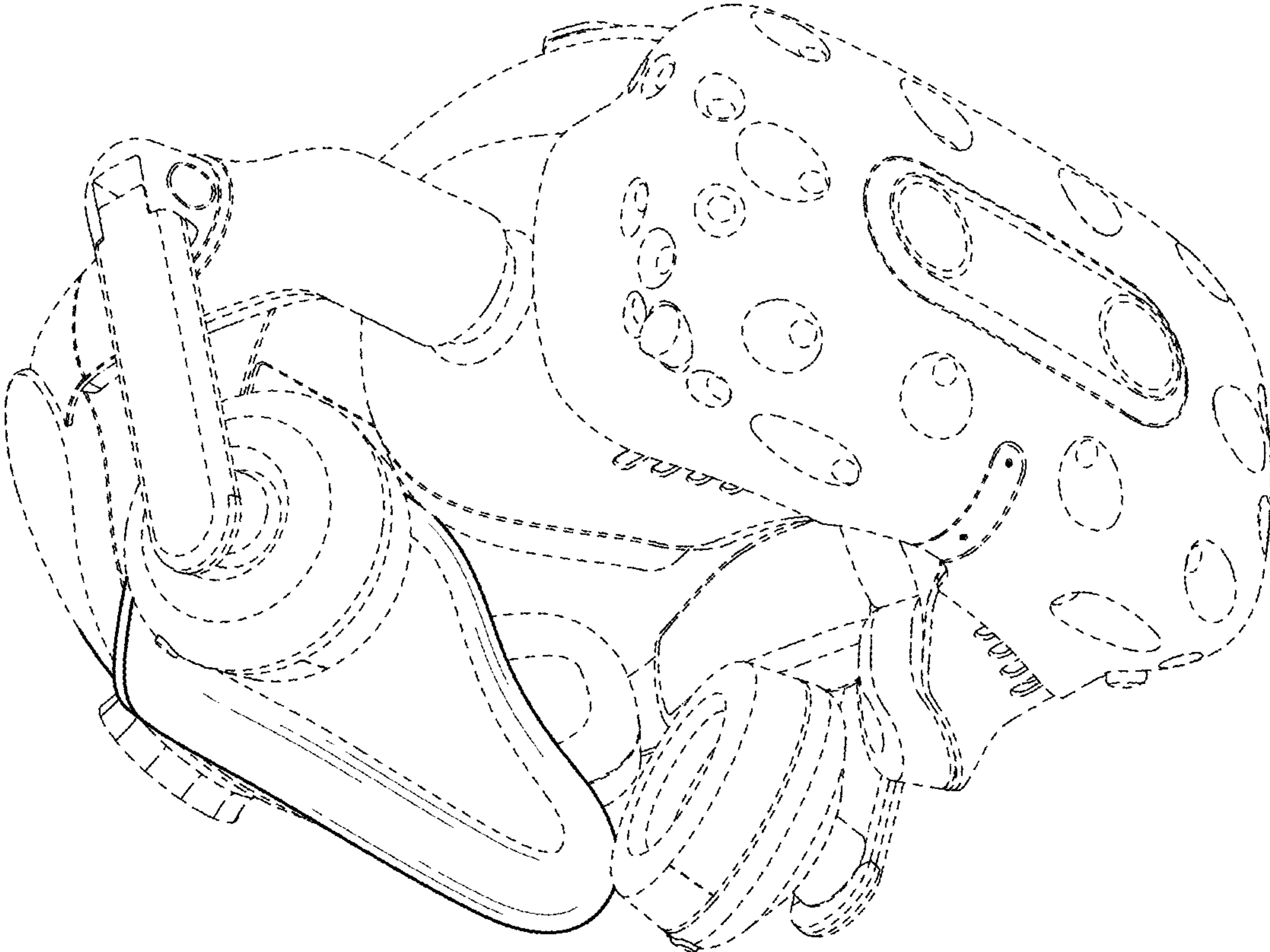


FIG. 8