



US00D914019S

(12) **United States Design Patent**
Gao et al.

(10) **Patent No.:** **US D914,019 S**
(45) **Date of Patent:** **** Mar. 23, 2021**

(54) **ARTIFICIAL INTELLIGENCE HEADPHONE WITH OPTICAL INTEGRATED GLASSES FOR AUGMENTED REALITY**

(71) Applicant: **Zhuhai RAVV Technology Co., Ltd., Zhuhai (CN)**

(72) Inventors: **Sheng Gao, Zhuhai (CN); Junwei Luo, Zhuhai (CN)**

(73) Assignee: **ZHUHAI RAVV TECHNOLOGY CO., LTD., Zhuhai (CN)**

(**) Term: **15 Years**

(21) Appl. No.: **29/692,616**

(22) Filed: **May 28, 2019**

(30) **Foreign Application Priority Data**

Jan. 4, 2019 (CN) 201930004215.4

(51) **LOC (13) Cl.** **14-02**

(52) **U.S. Cl.**
USPC **D14/372; D14/206**

(58) **Field of Classification Search**
USPC D14/372, 206, 205; D16/309; D29/112; 2/209; 381/380, 381, 374; 345/7, 8; 455/90.3, 575.1, 569.1
CPC . G02B 3/08; G02B 27/02; G09G 5/12; G09G 5/00; H04R 1/1066; H04R 1/1016; H04R 5/033; H04R 5/0335; H04R 25/00; H04R 25/02

See application file for complete search history.

(56) **References Cited**

U.S. PATENT DOCUMENTS

D226,077 S * 1/1973 Stronhmeier D12/187
4,751,691 A * 6/1988 Perera G02B 27/0172
351/158

4,810,078 A * 3/1989 Armstrong G02C 7/16
348/373
4,934,773 A * 6/1990 Becker G02B 30/34
359/214.1
4,970,589 A * 11/1990 Hanson F41G 3/165
224/181
5,003,300 A * 3/1991 Wells H04N 3/08
345/8
5,091,719 A * 2/1992 Beamon, III G02B 27/017
345/8
D327,079 S * 6/1992 Allen D16/309
5,138,722 A * 8/1992 Urella A61F 11/14
2/209

(Continued)

Primary Examiner — Paula Allen Greene

(74) *Attorney, Agent, or Firm* — Snyder, Clark, Lesch & Chung, LLP

(57) **CLAIM**

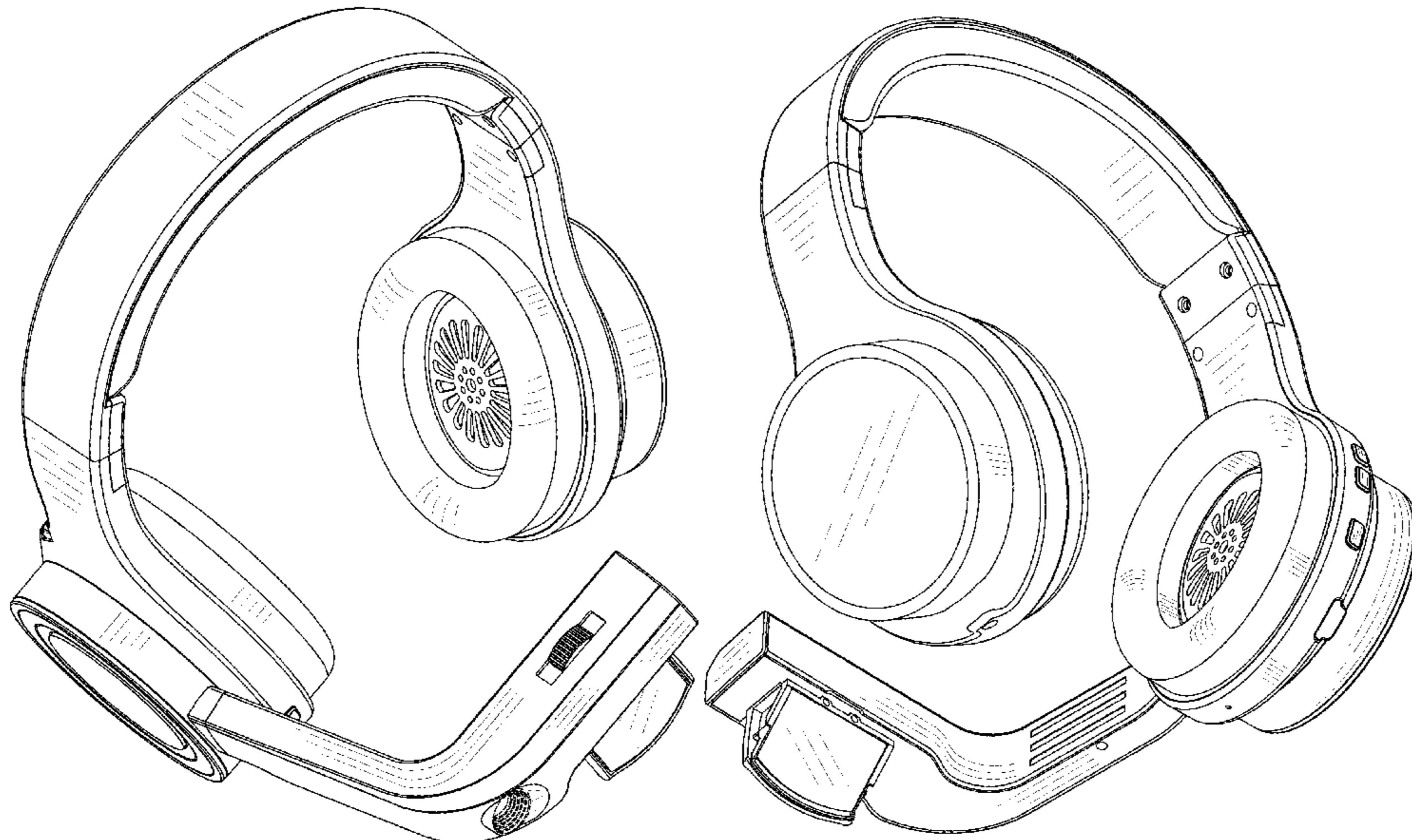
The ornamental design for an artificial intelligence headphone with optical integrated glasses for augmented reality, as shown and described.

DESCRIPTION

FIG. 1 is a front top perspective view of an artificial intelligence headphone with optical integrated glasses for augmented reality showing my new design; FIG. 2 is a rear bottom perspective view thereof; FIG. 3 is a front view thereof; FIG. 4 is a rear view thereof; FIG. 5 is a left side view thereof; FIG. 6 is a right side view thereof; FIG. 7 is a top view thereof; and, FIG. 8 is a bottom view thereof.

In the figures, shading represents contour and not any particular color, and the broken lines shown in the drawings are for the purpose of illustrating portions of the artificial intelligence headphone with optical integrated glasses for augmented reality that form no part of the claimed design.

1 Claim, 8 Drawing Sheets



(56)

References Cited

U.S. PATENT DOCUMENTS

5,162,828 A * 11/1992 Furness G01S 13/60
351/158
5,189,512 A * 2/1993 Cameron G02B 27/017
345/8
D334,557 S * 4/1993 Hunter D14/372
5,321,416 A * 6/1994 Bassett A42B 3/145
345/8
D366,481 S * 1/1996 Raviv D14/372
D369,595 S * 5/1996 Kober D14/372
D371,549 S * 7/1996 Ronzani D14/372
D375,495 S * 11/1996 Madness D14/372
5,589,846 A * 12/1996 Kobayashi G02B 27/0176
340/980
D392,629 S * 3/1998 Amafuji D14/372
D394,649 S * 5/1998 Pombo D14/372
5,751,260 A * 5/1998 Nappi G06F 3/013
340/4.13
5,757,339 A * 5/1998 Williams G02B 27/0172
345/7
D402,651 S * 12/1998 Depay D14/372
5,903,395 A * 5/1999 Rallison G02B 27/0172
345/8
D427,982 S * 7/2000 Ishii D14/372
D429,253 S * 8/2000 Robertson D14/372
D436,960 S * 1/2001 Budd D14/372
D452,497 S * 12/2001 Tani D14/374
6,654,966 B2 * 12/2003 Rolla H04R 1/1066
2/209
D491,163 S * 6/2004 Green D14/205
D512,985 S * 12/2005 Travers D14/206
D517,066 S * 3/2006 Travers D14/372
D521,493 S * 5/2006 Wai D14/205
D534,155 S * 12/2006 Obata D14/205
7,190,330 B2 * 3/2007 Travers G02B 27/0176
345/7
D592,182 S * 5/2009 Sanguinetti D14/205

D592,640 S * 5/2009 Tkachuk D14/205
D625,705 S * 10/2010 Ohori D14/205
D632,668 S * 2/2011 Brunner D14/205
D635,958 S * 4/2011 Ando D14/205
D645,862 S * 9/2011 Paul D14/372
D657,344 S * 4/2012 Brunner D14/205
D664,118 S * 7/2012 Tappeiner D14/205
8,289,231 B2 * 10/2012 Budd G02B 27/0172
345/8
D673,520 S * 1/2013 Tan D14/205
D675,595 S * 2/2013 Cho D14/205
D678,860 S * 3/2013 Hagelin D14/205
D680,090 S * 4/2013 Serota D14/126
D685,345 S * 7/2013 Serota D14/205
D687,434 S * 8/2013 Serota D14/372
D697,130 S * 1/2014 Lovgren D16/312
D702,234 S * 4/2014 Pombo D14/372
D704,706 S * 5/2014 Serota D14/372
D722,054 S * 2/2015 Serota D14/372
D724,586 S * 3/2015 Choo D14/372
D735,193 S * 7/2015 Lee D14/372
D749,074 S * 2/2016 Cazalet D14/372
D785,593 S * 5/2017 Nakagawa D14/205
D824,904 S * 8/2018 Hitch D14/372
D856,331 S * 8/2019 Hitch D14/372
D863,299 S * 10/2019 Jacobsen D14/372
D867,363 S * 11/2019 Hitch D14/372
D868,030 S * 11/2019 Chong D14/206
D872,083 S * 1/2020 Hitch D14/372
D881,157 S * 4/2020 Chen D14/205
D886,078 S * 6/2020 He D14/206
D890,170 S * 7/2020 Hu D14/372
2005/0219152 A1 * 10/2005 Budd G02B 27/0172
345/8
2013/0237174 A1 * 9/2013 Gusikhin H04W 4/90
455/404.1
2015/0340010 A1 * 11/2015 Travers G06F 1/163
345/520

* cited by examiner



FIG. 1



FIG. 2

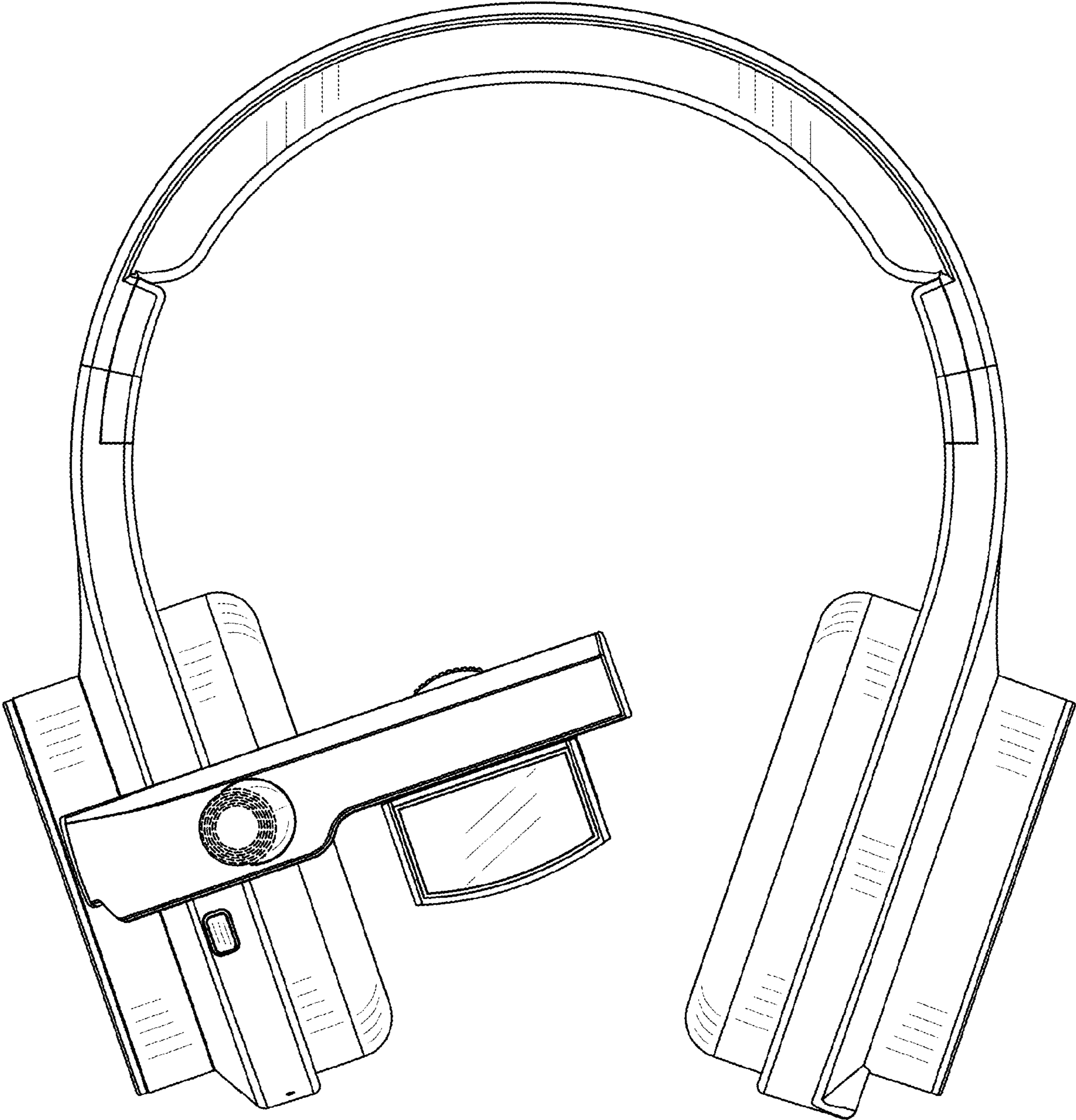


FIG. 3

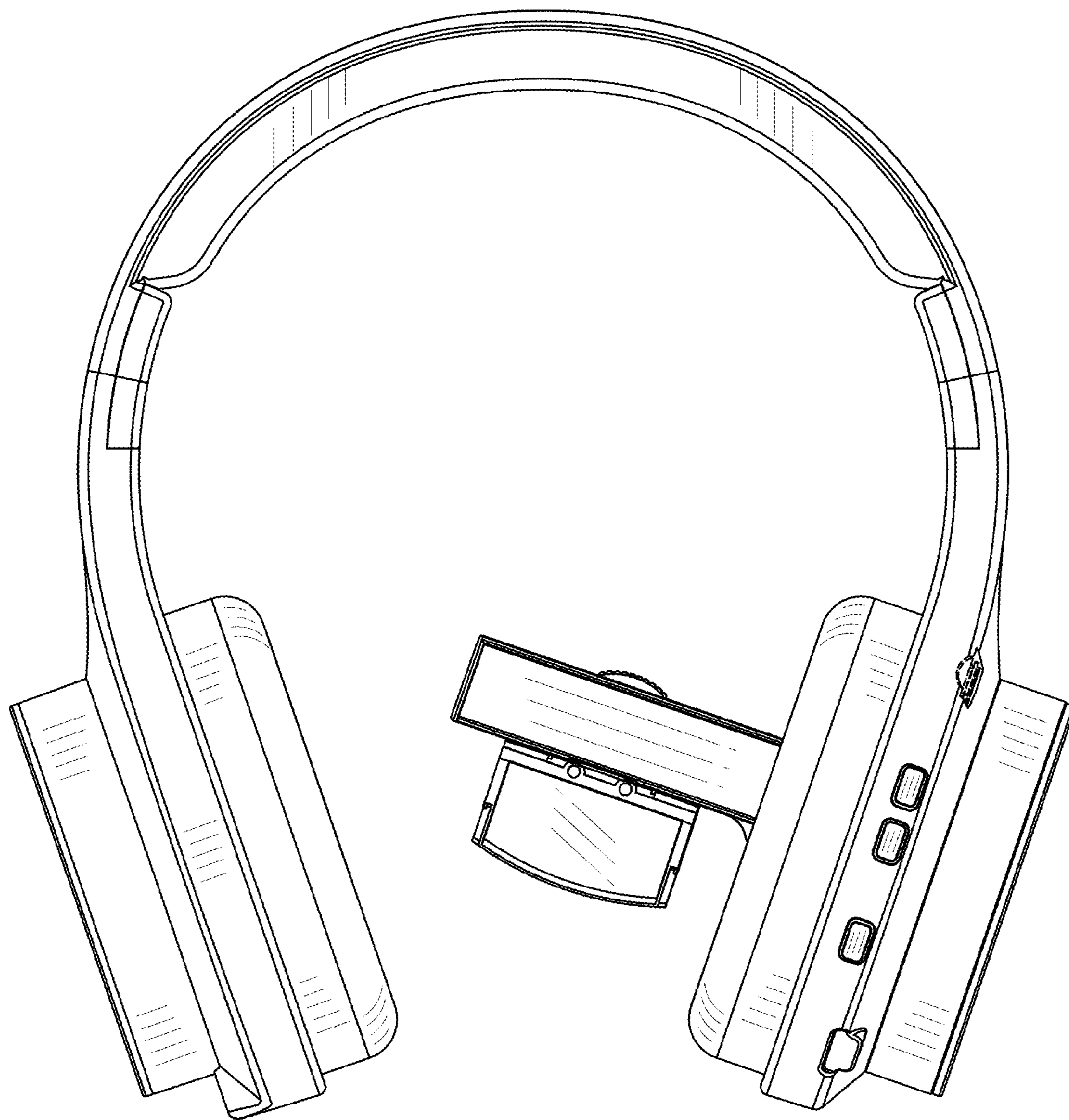


FIG. 4

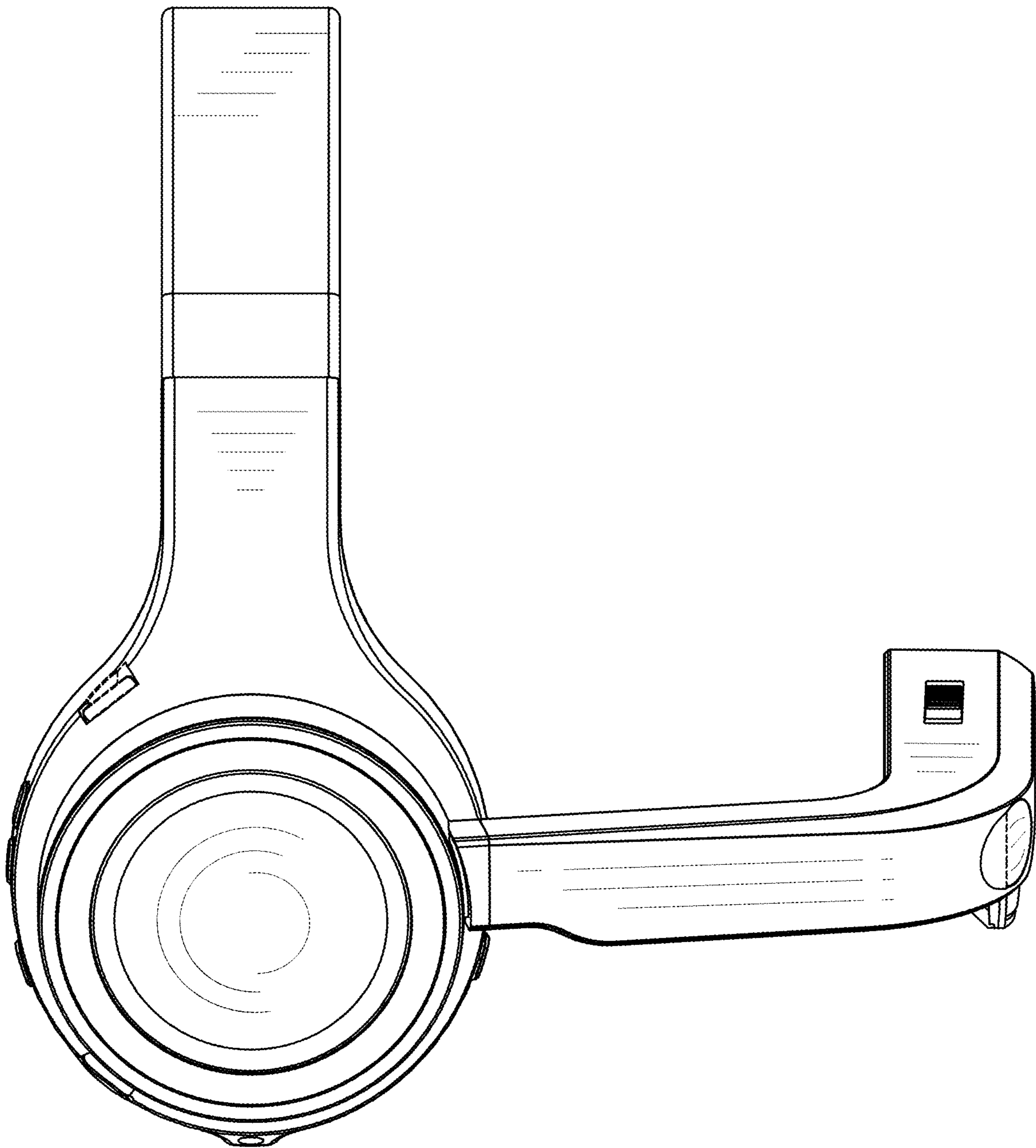


FIG. 5

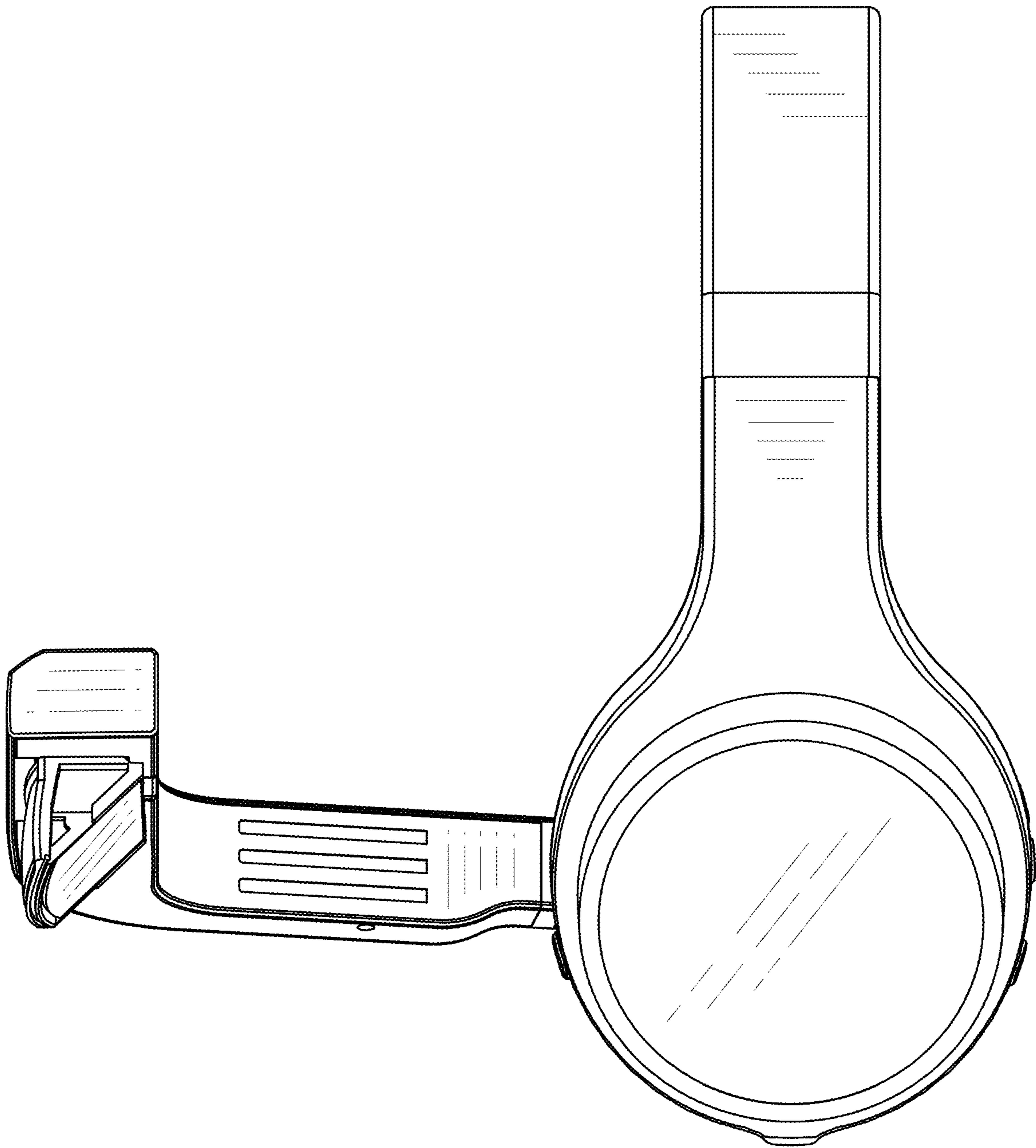


FIG. 6

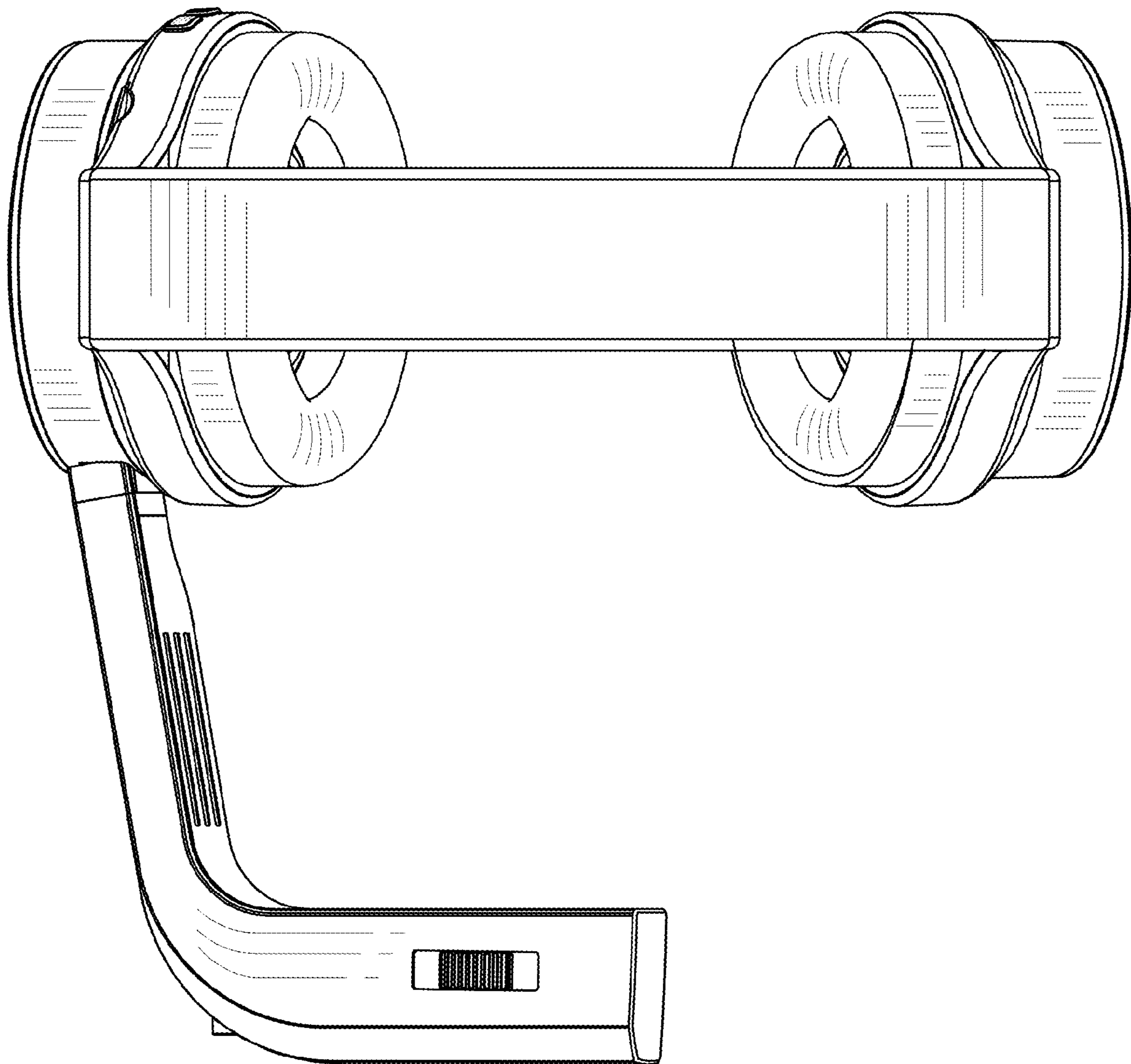


FIG. 7

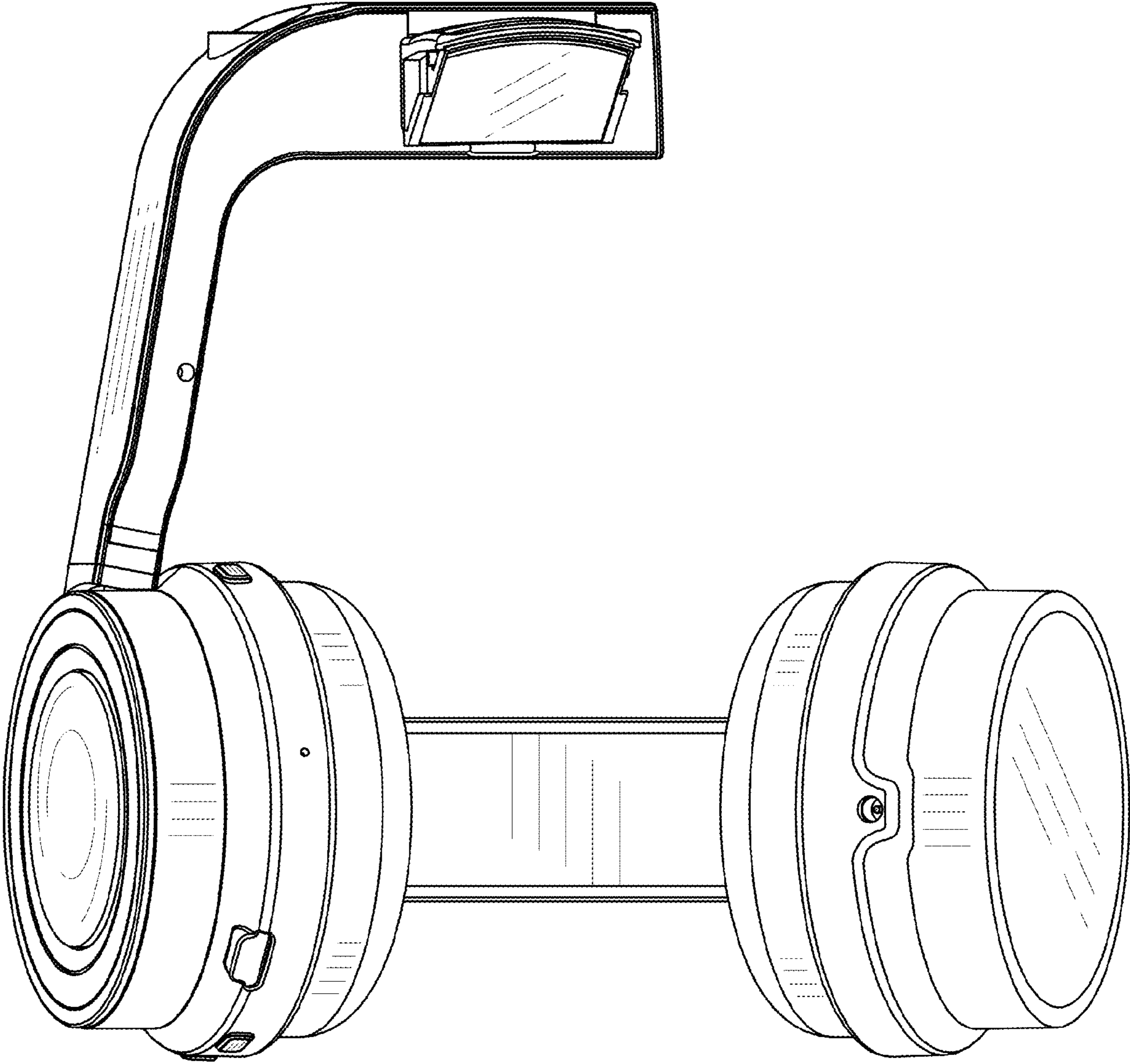


FIG. 8