



US00D914018S

(12) **United States Design Patent**
Spio

(10) **Patent No.:** **US D914,018 S**

(45) **Date of Patent:** **** Mar. 23, 2021**

(54) **BRANDABLE FOLDABLE AUGMENTED AND VIRTUAL REALITY HEADSET**

(71) Applicant: **Mary Spio**, Miami Beach, FL (US)

(72) Inventor: **Mary Spio**, Miami Beach, FL (US)

(**) Term: **15 Years**

(21) Appl. No.: **29/658,593**

(22) Filed: **Aug. 1, 2018**

(51) **LOC (13) Cl.** **14-02**

(52) **U.S. Cl.**
USPC **D14/372**

(58) **Field of Classification Search**
USPC D14/372, 496, 432, 371, 125, 126, 129,
D14/299; D16/300-342; 351/158, 153,
(Continued)

(56) **References Cited**

U.S. PATENT DOCUMENTS

D792,398 S * 7/2017 Costa D14/372
D793,390 S * 8/2017 Huang D14/372
(Continued)

Primary Examiner — Austin Murphy

(74) *Attorney, Agent, or Firm* — The Plus IP Firm; Derek Fahey

(57) **CLAIM**

The ornamental design for a brandable foldable augmented and virtual reality headset, as shown and described.

DESCRIPTION

FIG. 1 is a rear view of a brandable virtual reality and augmented reality foldable headset in a fully assembled configuration.

FIG. 2 is a side view of the brandable virtual reality and augmented reality foldable headset in a fully assembled configuration.

FIG. 3 is a second side view of the brandable virtual reality and augmented reality foldable headset in a fully assembled configuration.

FIG. 4 is a front view of the brandable virtual reality and augmented reality foldable headset in a fully assembled configuration.

FIG. 5 is a top view of the brandable virtual reality and augmented reality foldable headset in a fully assembled configuration.

FIG. 6 is a bottom view of the brandable virtual reality and augmented reality foldable headset in a fully assembled configuration.

FIG. 7 is a top view of the brandable virtual reality and augmented reality foldable headset in a fully unassembled configuration wherein the components of the headset are arranged such that they are lying flat within a single plane.

FIG. 8 is a rear perspective view of the brandable virtual reality and augmented reality foldable headset in a fully assembled configuration.

FIG. 9 is a bottom perspective view of the brandable virtual reality and augmented reality foldable headset in a fully assembled configuration.

FIG. 10 is a perspective view of the brandable virtual reality and augmented reality foldable headset in an unassembled configuration wherein the components of the headset are arranged such that they are lying flat within a single plane.

FIG. 11 is a perspective view of the brandable virtual reality and augmented reality foldable headset in a partially folded configuration in a first state.

FIG. 12 is a perspective view of the brandable virtual reality augmented reality foldable headset in a partially folded configuration in a second state.

FIG. 13 is a perspective view of the brandable virtual reality and augmented reality foldable headset in a partially folded configuration in a third state.

FIG. 14 is a perspective view of the brandable virtual reality and augmented reality foldable headset in a partially folded configuration in a fourth state.

FIG. 15 is a perspective view of the brandable virtual reality and augmented reality foldable headset in a partially folded configuration in a fifth state.

(Continued)

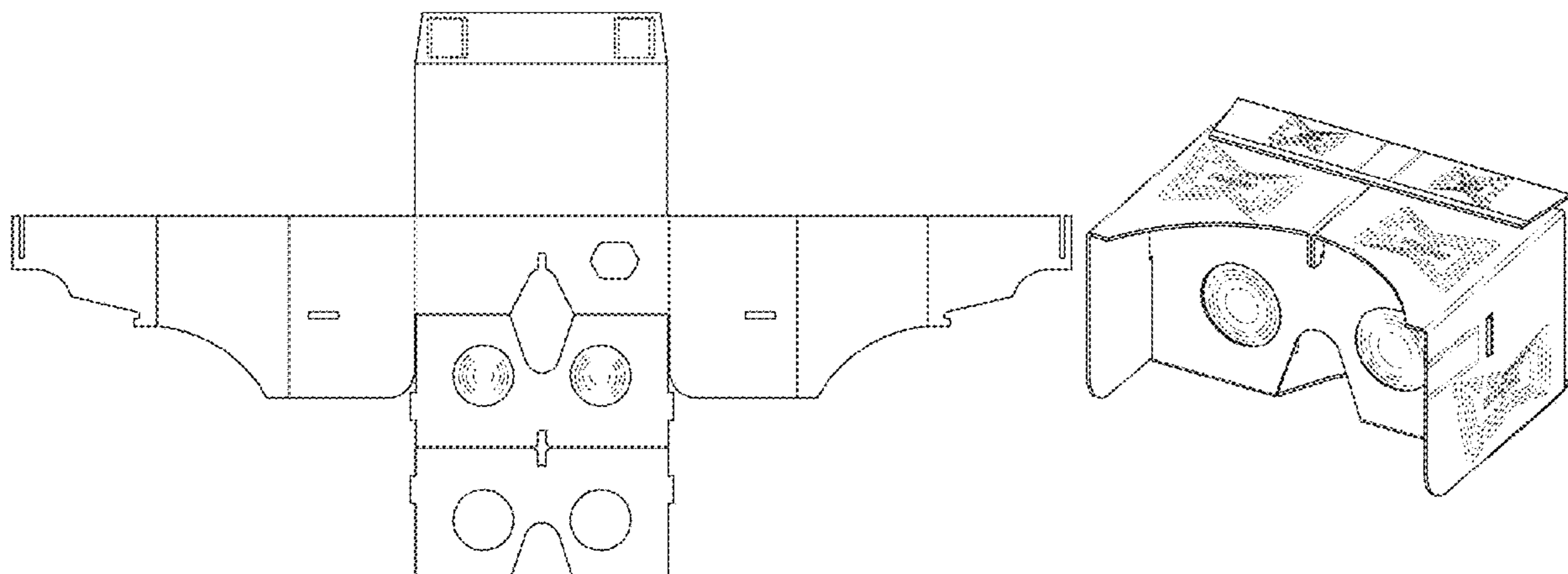


FIG. 16 is a rear perspective view of the brandable virtual reality and augmented reality foldable headset in the fully assembled state and having a mobile device mounted therein.

FIG. 17 is a rear perspective view of the brandable virtual reality and augmented reality foldable headset in the fully assembled state, wherein a mobile device is positioned proximate to an opening on the headset for receiving a mobile device.

FIG. 18 is a front perspective view of the brandable virtual reality and augmented reality foldable headset in the fully assembled state, wherein straps for mounting the headset on a person's head is positioned proximate to the headset.

FIG. 19 is a front perspective view of the brandable virtual reality and augmented reality foldable headset in the fully assembled state, wherein straps for mounting the headset on a person's head is attached to the headset.

FIG. 20 is a front perspective view of the brandable virtual reality and augmented reality foldable headset in the fully assembled state and having a mobile device mounted therein, wherein straps mount the headset on a person's head.

FIG. 21 is a front perspective view of bag below a DVD case, wherein bag containing the headset in the fully folded configuration and a DVD case are protruding out of a boxed container.

FIG. 22 is a perspective view of the brandable virtual reality and augmented reality foldable headset in a partially folded configuration in a sixth state; and,

FIG. 23 is a perspective view of the brandable virtual reality and augmented reality foldable headset in a partially folded configuration in an eighth state.

The dashed or broken lines in FIGS. 16, 17 and 20 illustrate a mobile device and claim no part of the claimed design.

Dashed or broken lines in FIGS. 1, 2, 3, 4, 5, 7, 8, 9, 14, 15, 16, 17, 18, 19, 20, and 23 also illustrate the portions of fasteners and straps for mounting the headset on a person's head. Dashed or broken lines in FIGS. 1, 2, 4, 5, 6, 8, 9, 12, 13, 14, 15, 16, 17, 18, 19, 20, 21 and 22. also illustrate surface ornamentation and form no part of the claimed design.

1 Claim, 23 Drawing Sheets

(58) **Field of Classification Search**

USPC 351/144; 345/7-9, 905; 455/344;
348/115, 53, 121, 739
CPC G02B 27/017; G02B 27/0158; G02B
27/0161; G02B 27/0181; G02B 27/0185;
G02B 27/0189

See application file for complete search history.

(56) **References Cited**

U.S. PATENT DOCUMENTS

9,723,117	B2 *	8/2017	Buckley	G06F 3/0393
D800,113	S *	10/2017	Wessman	D14/372
D800,114	S *	10/2017	Woo	D14/372
9,869,865	B2 *	1/2018	Vinzant	G02B 27/0176
D853,231	S *	7/2019	Costa	D9/420
D873,824	S *	1/2020	Chen	D14/372
D892,793	S *	8/2020	Min	D14/372
D900,094	S *	10/2020	Hluchan	D14/372
2016/0180591	A1 *	6/2016	Shiu	G06F 3/013 345/633
2016/0349836	A1 *	12/2016	Goossens	G06F 3/01
2017/0031164	A1 *	2/2017	Costa	G02B 27/0176

* cited by examiner

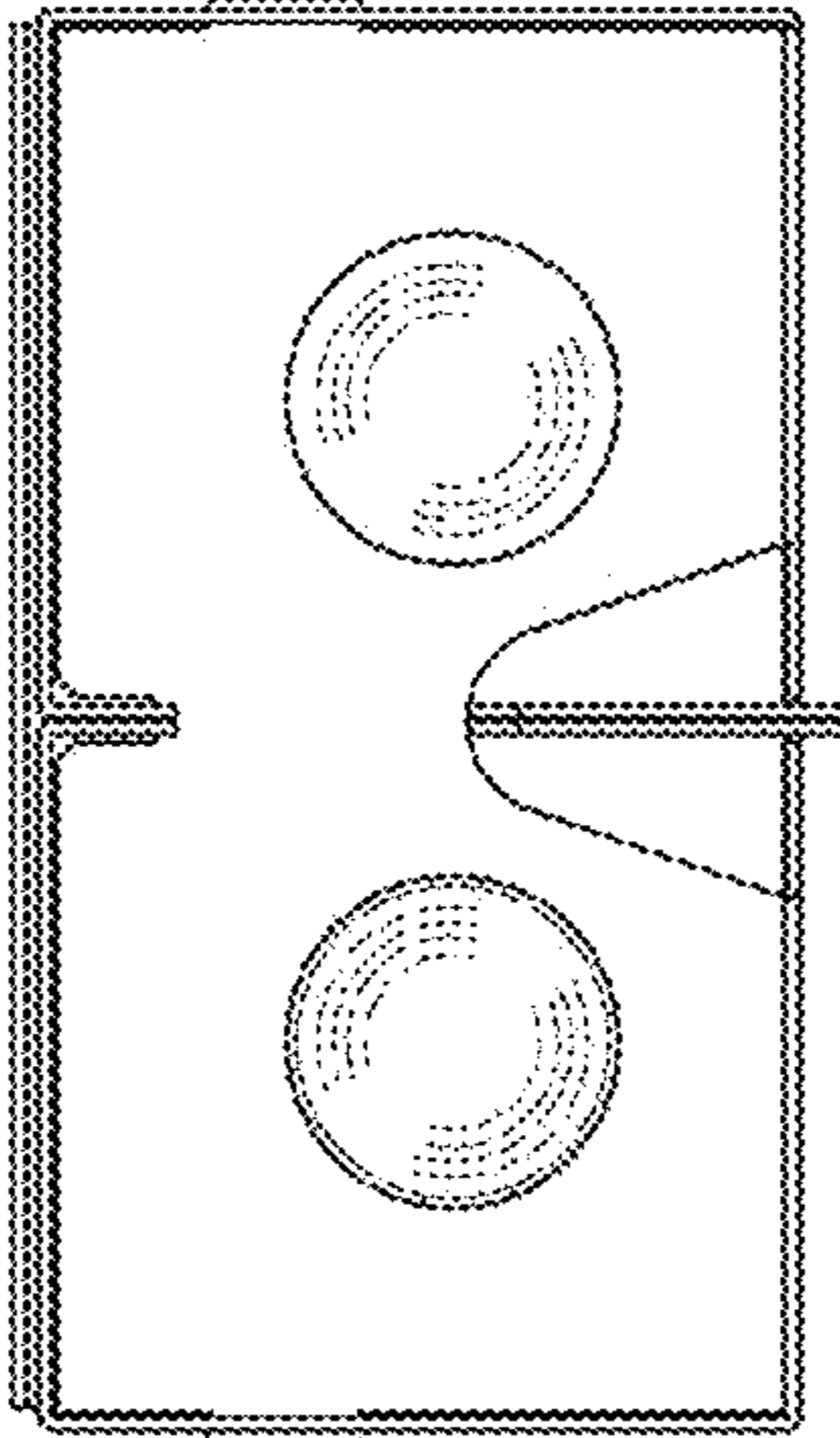


FIG. 1

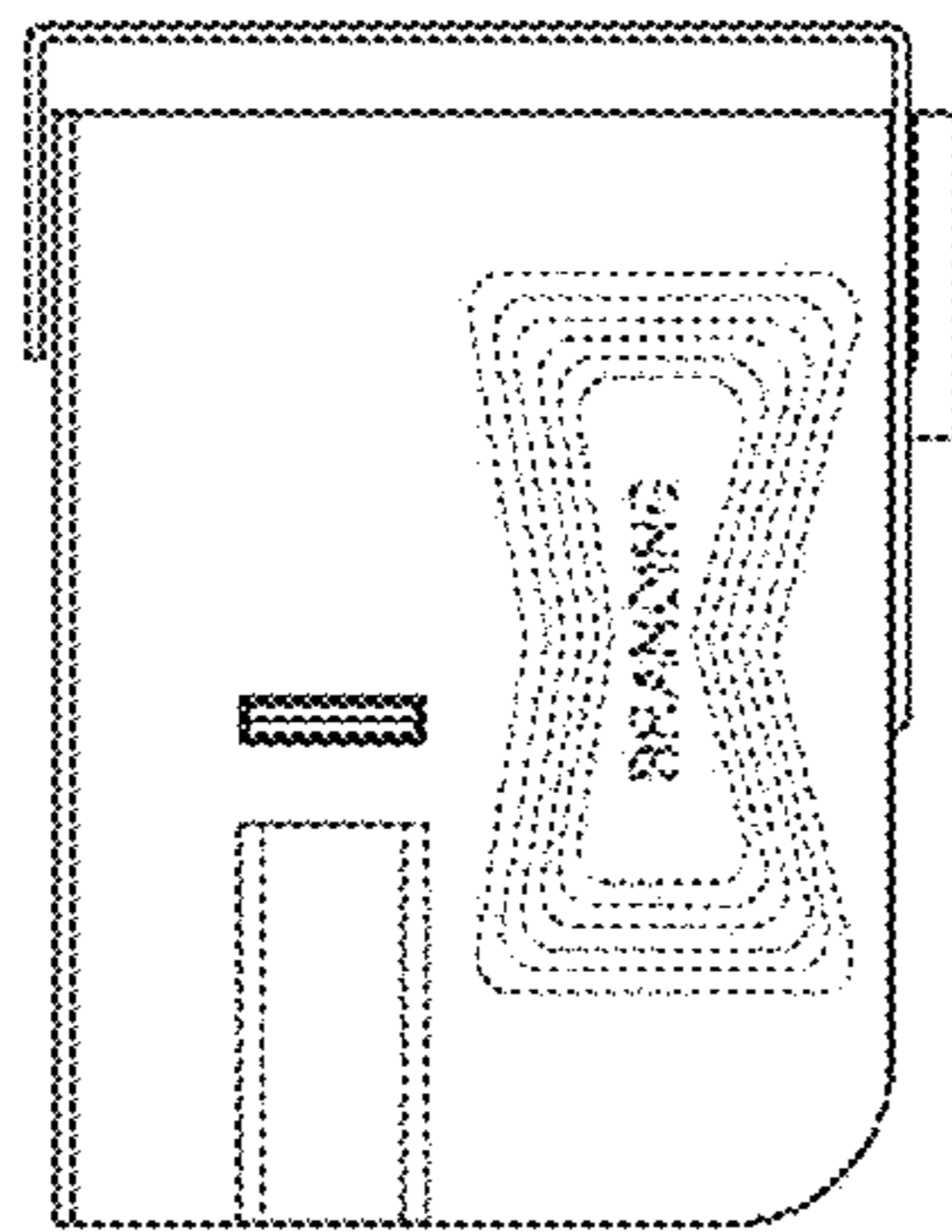


FIG. 2

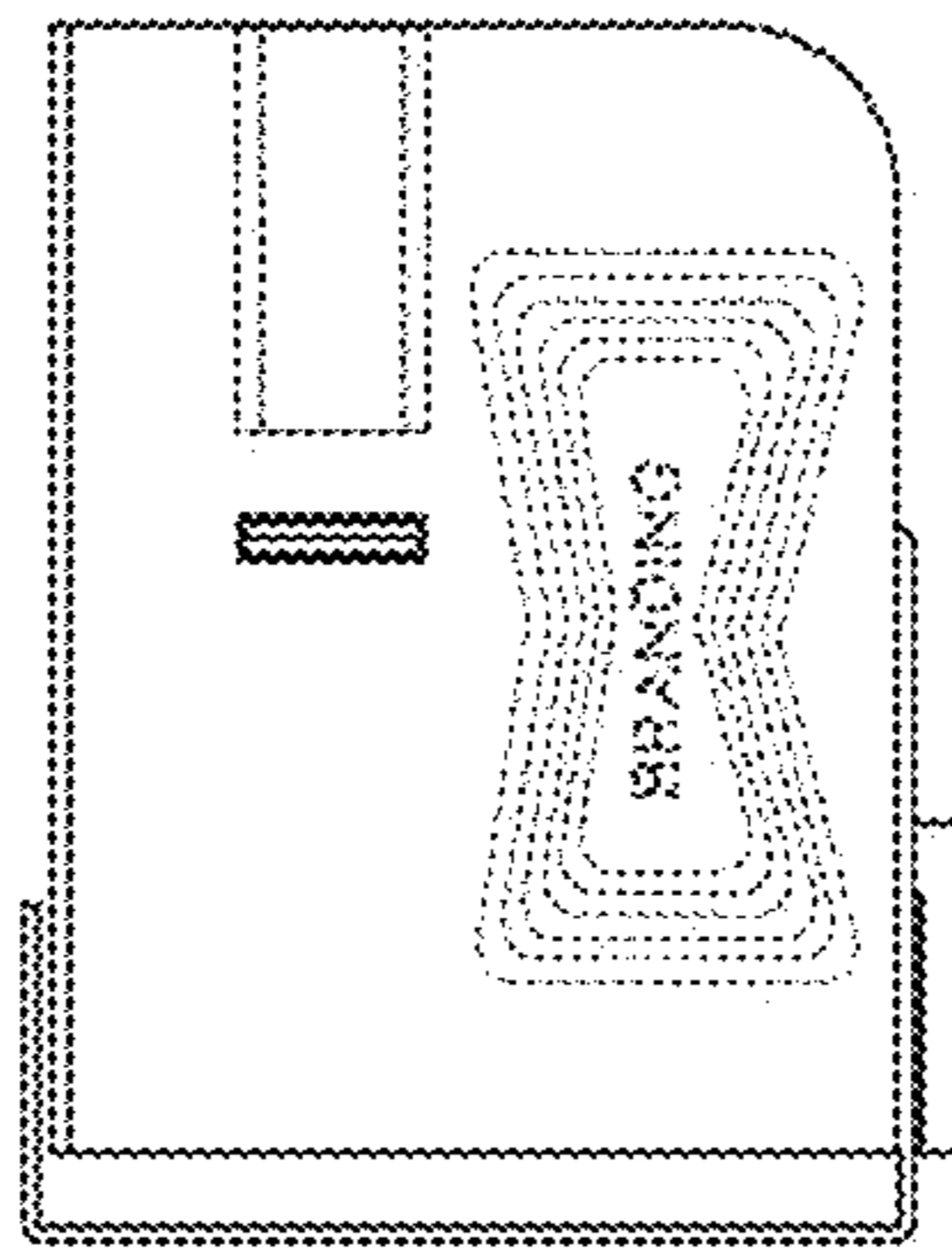


FIG. 3

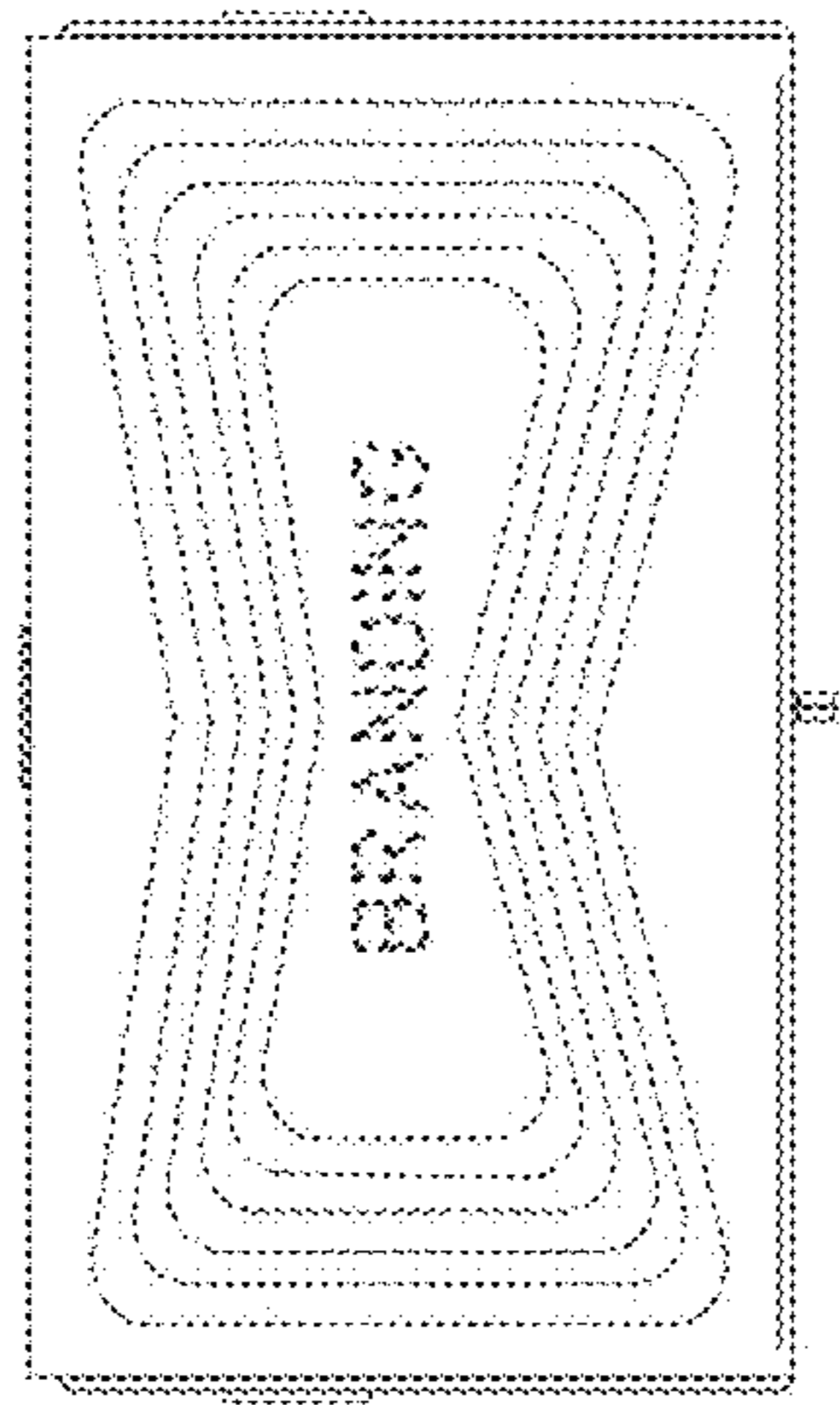


FIG. 4

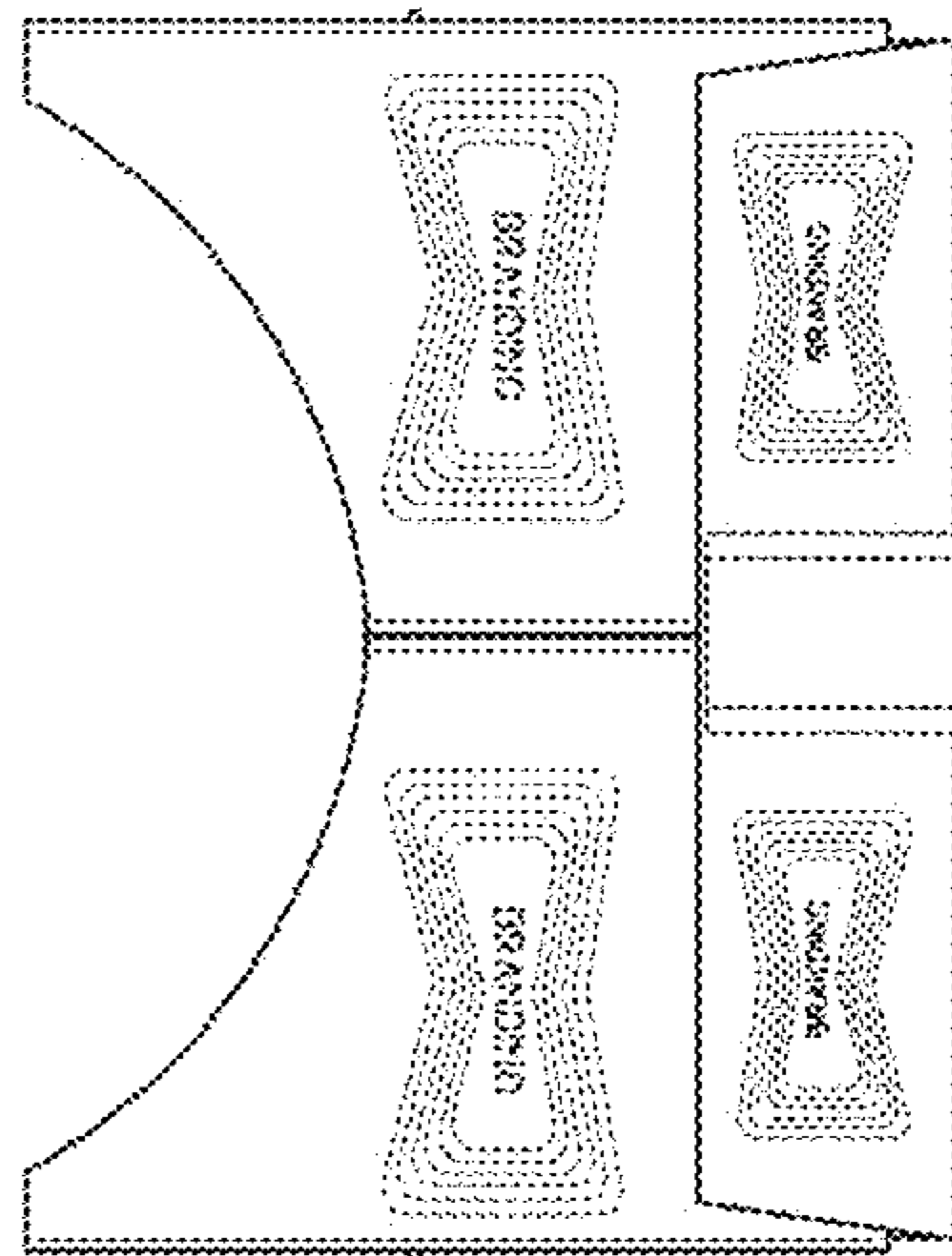


FIG. 5

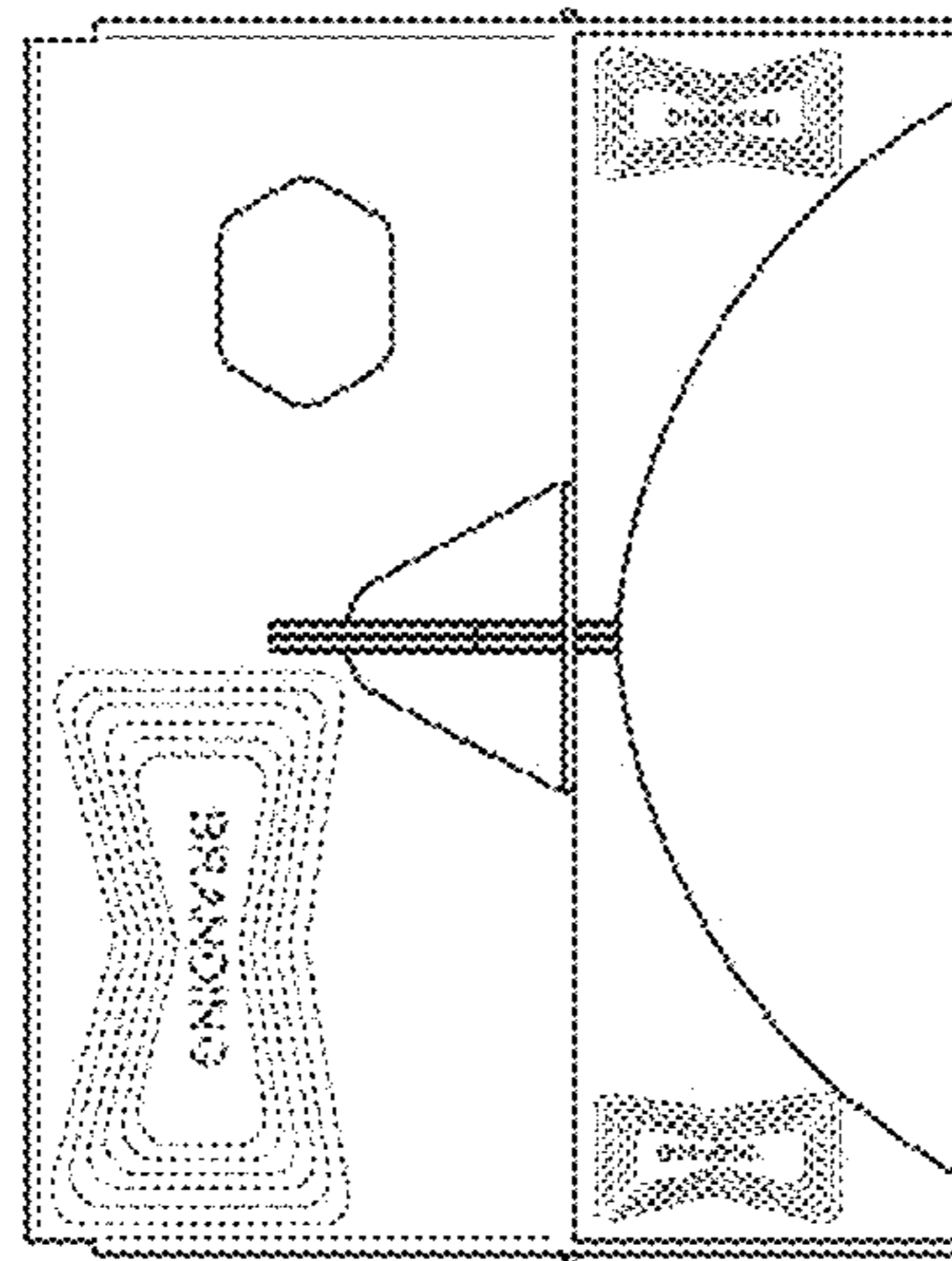


FIG. 6

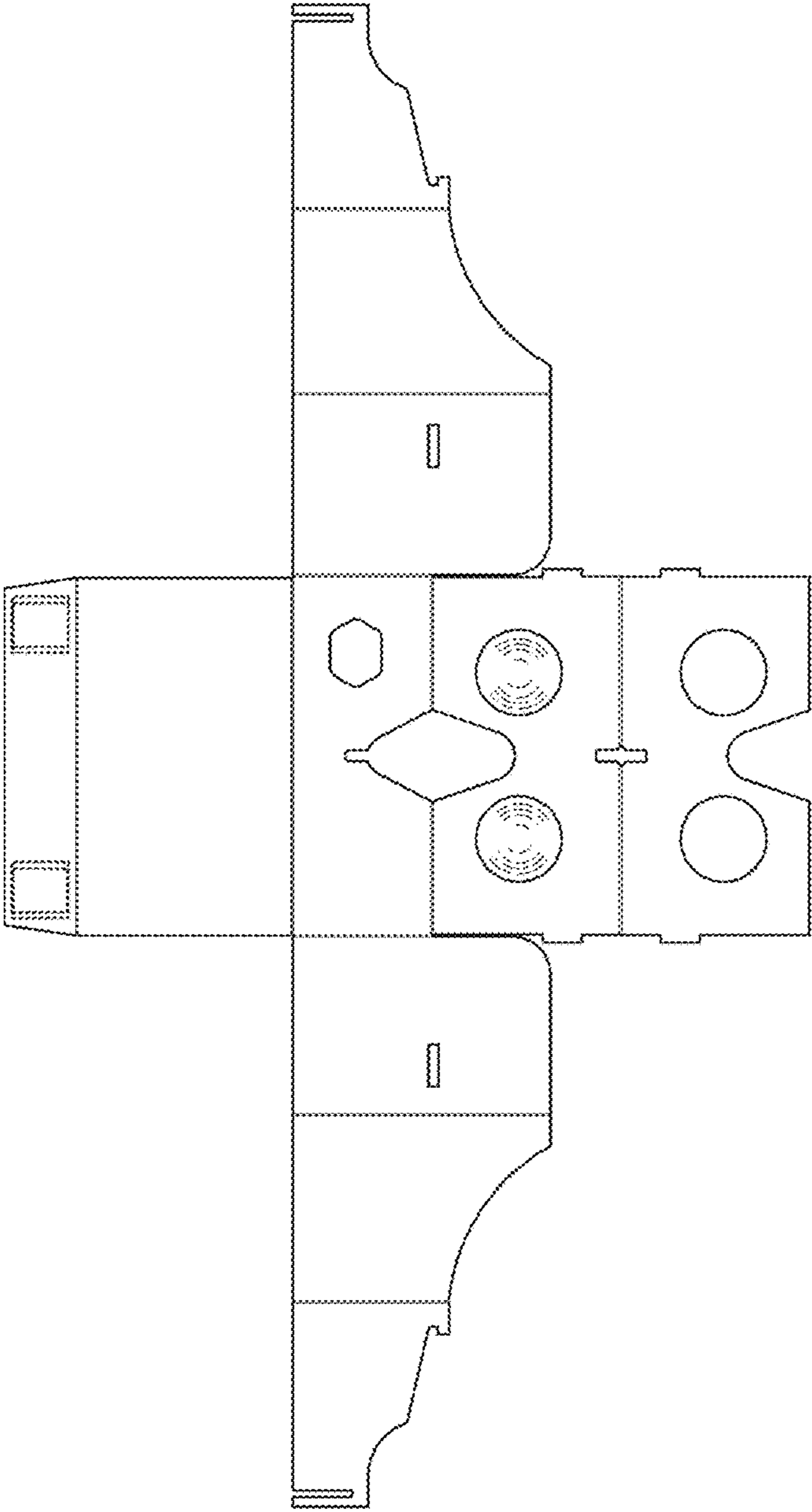


FIG. 7

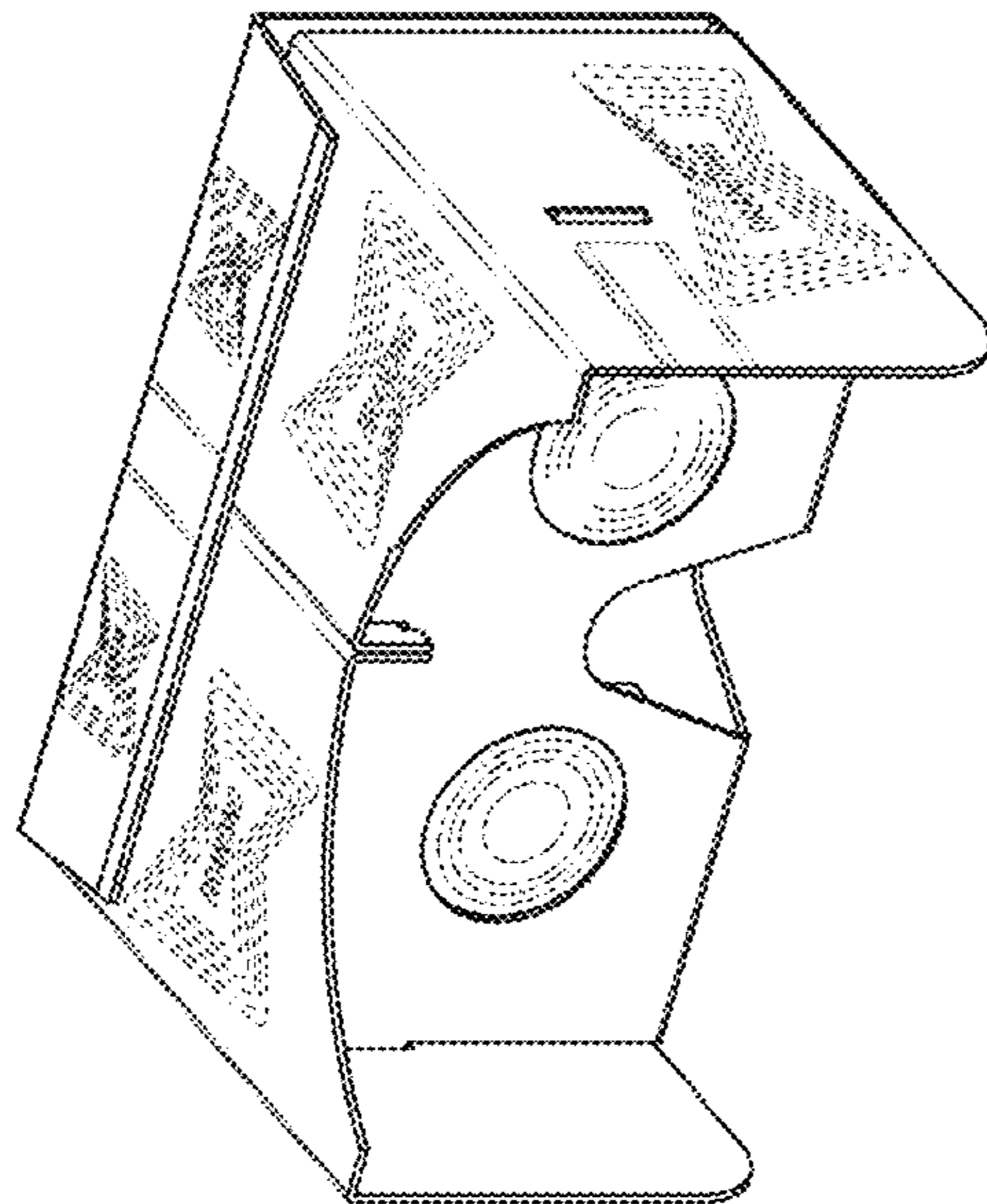


FIG. 8

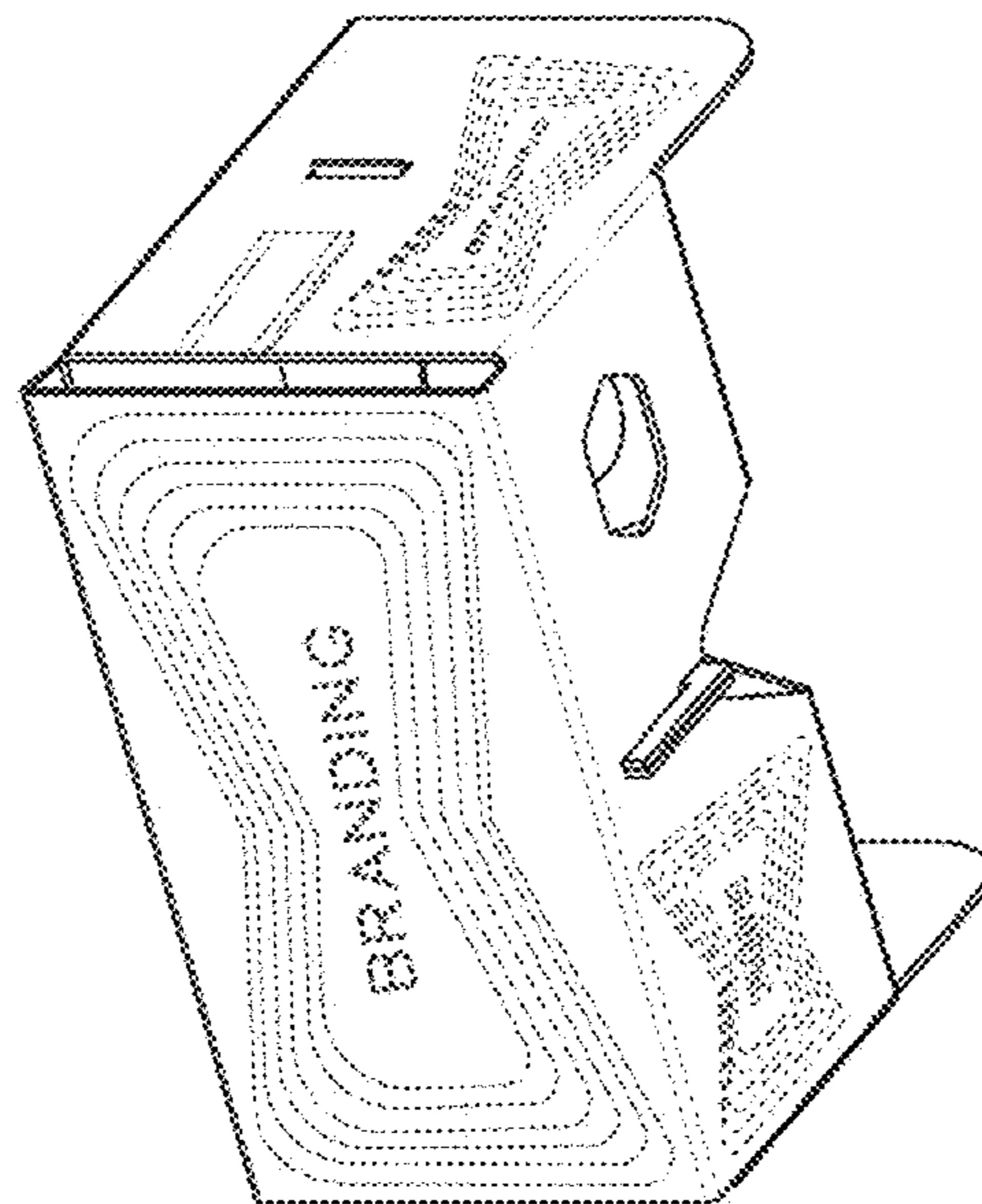


FIG. 9

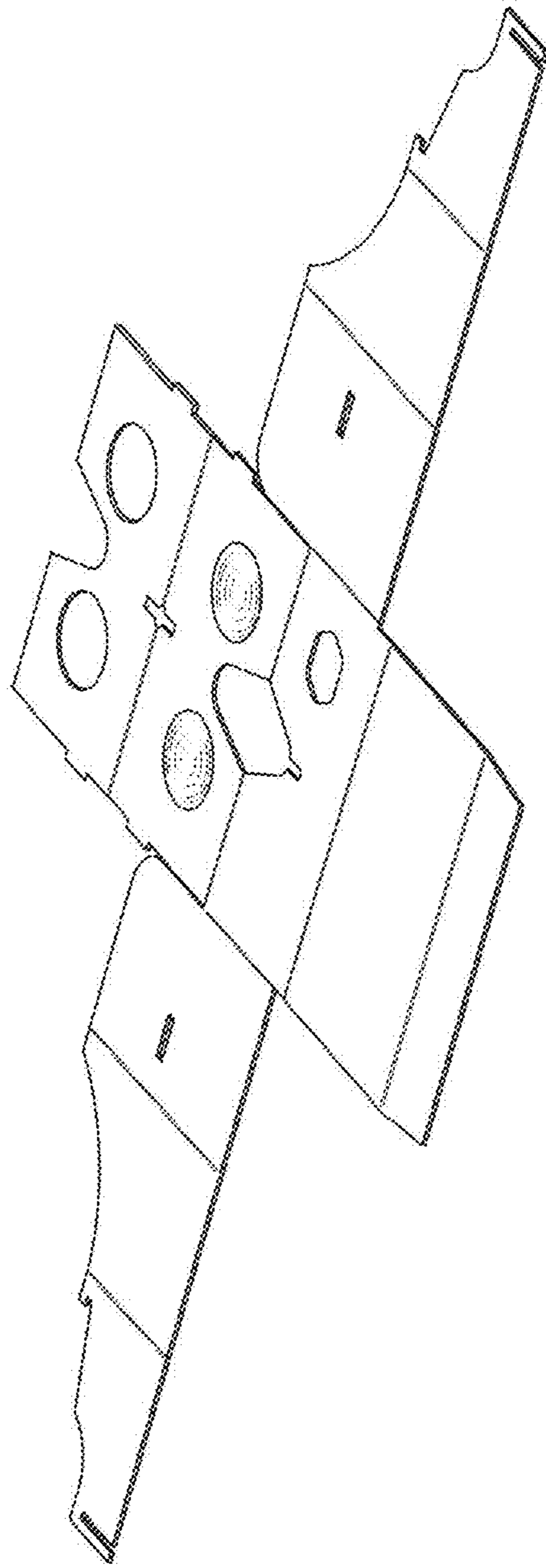


FIG. 10

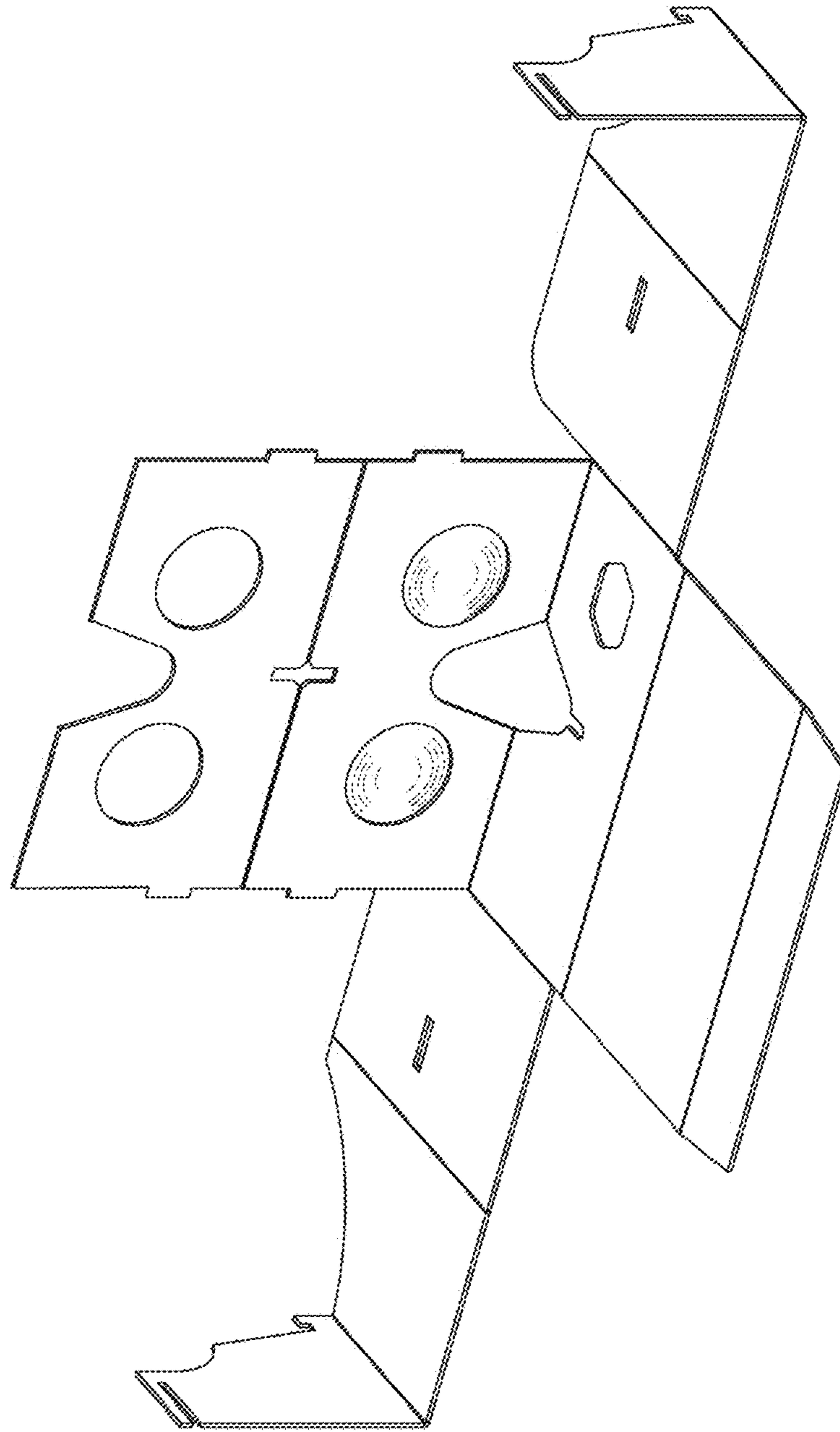


FIG. 11

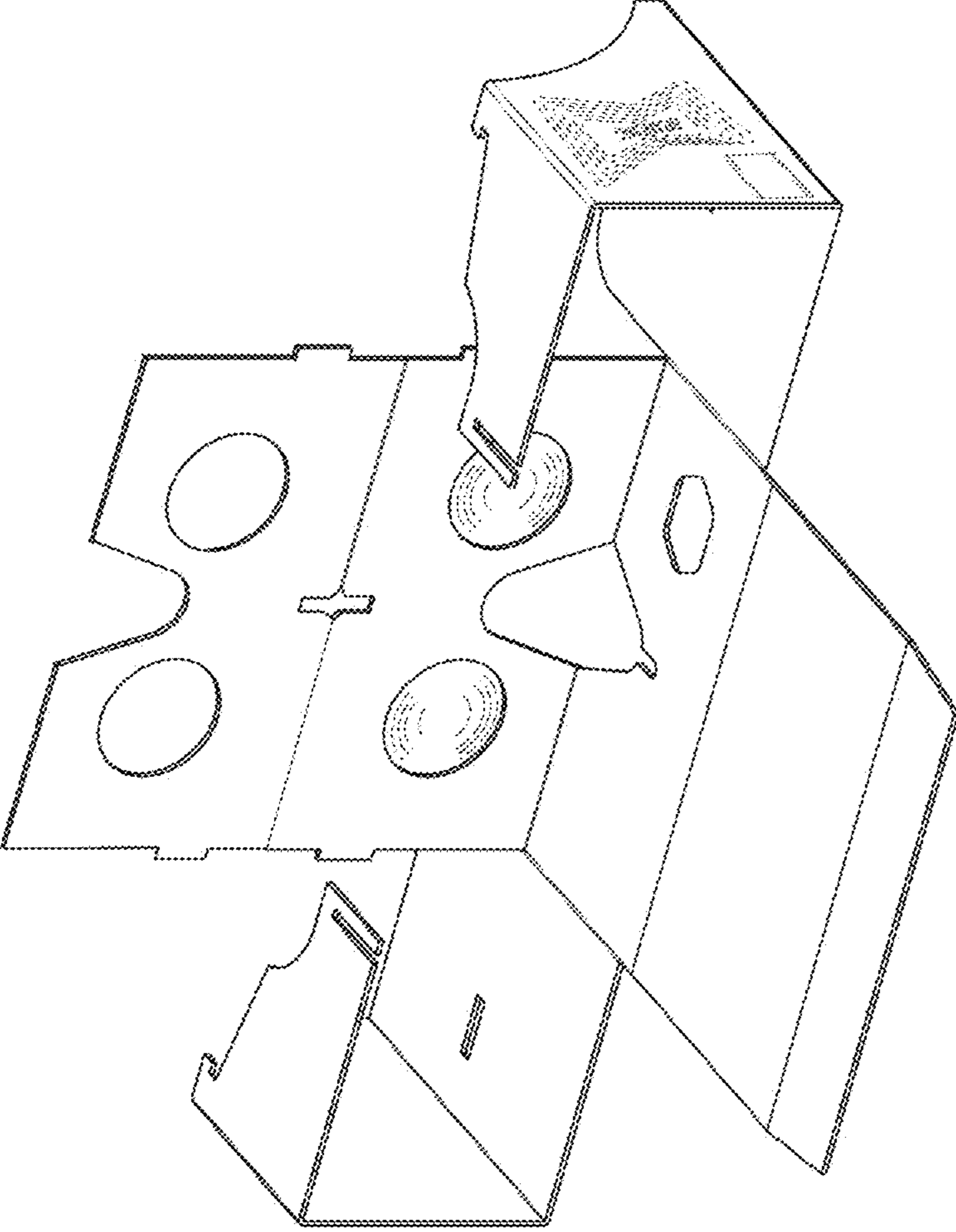


FIG. 12

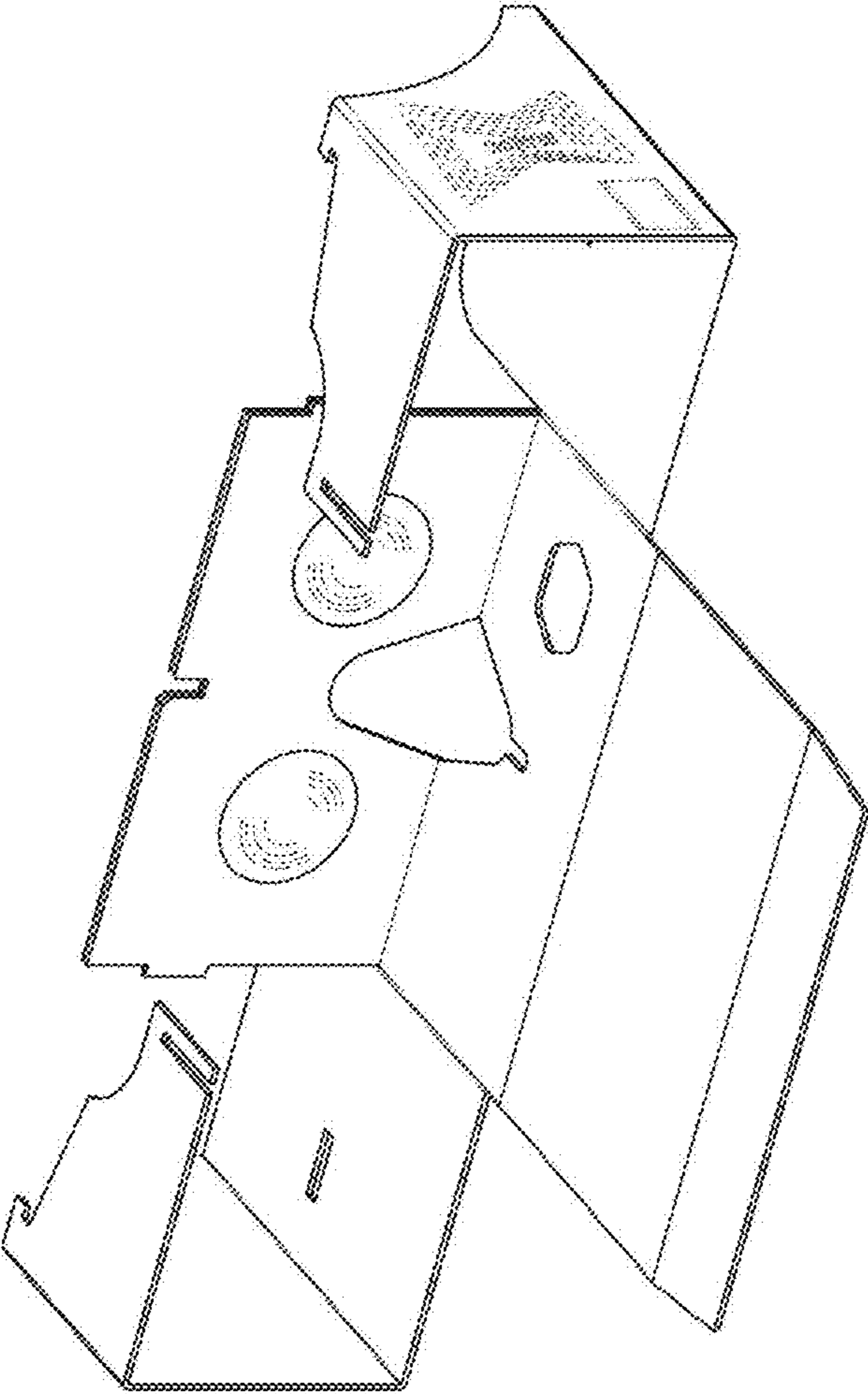


FIG. 13

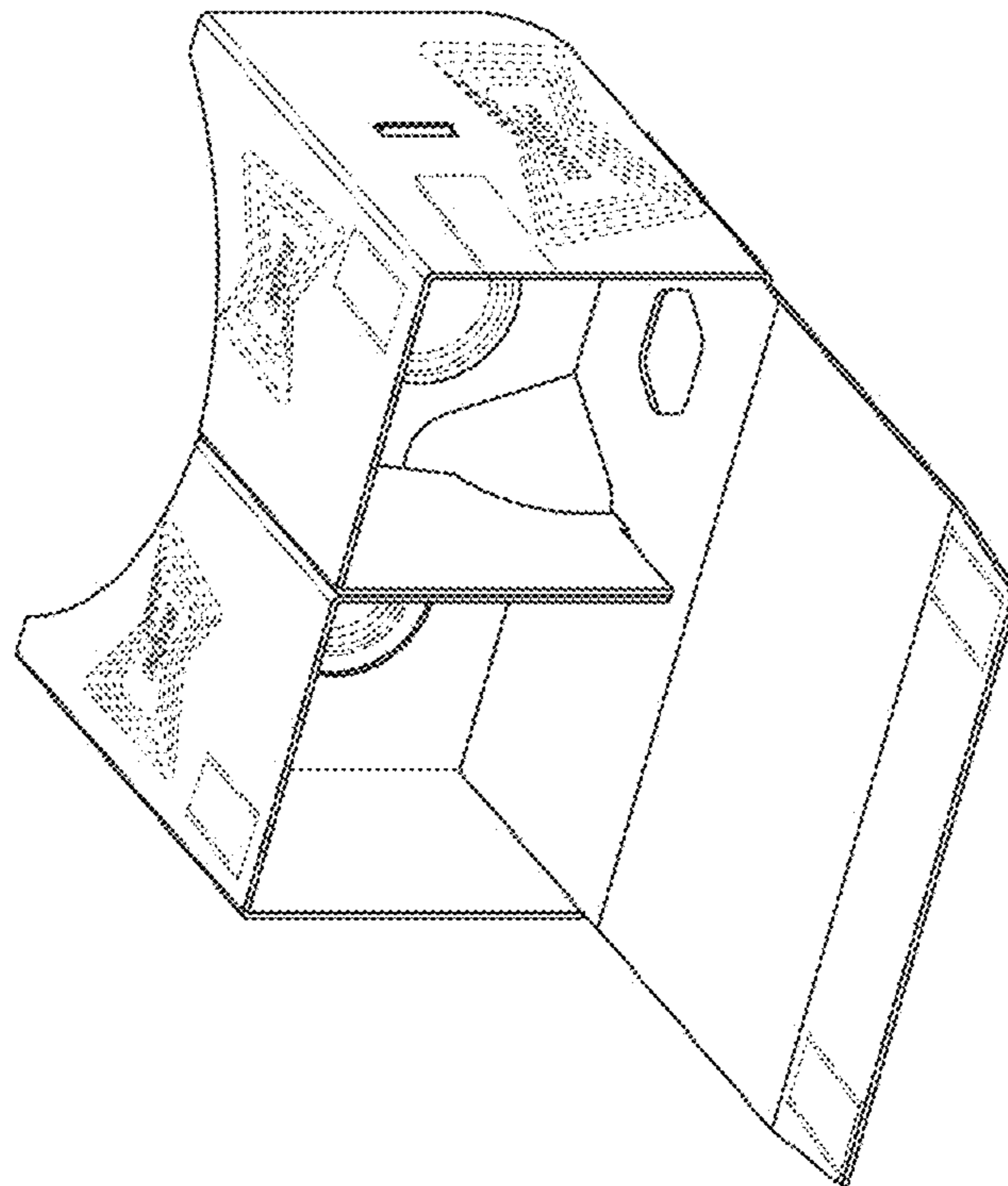


FIG. 14

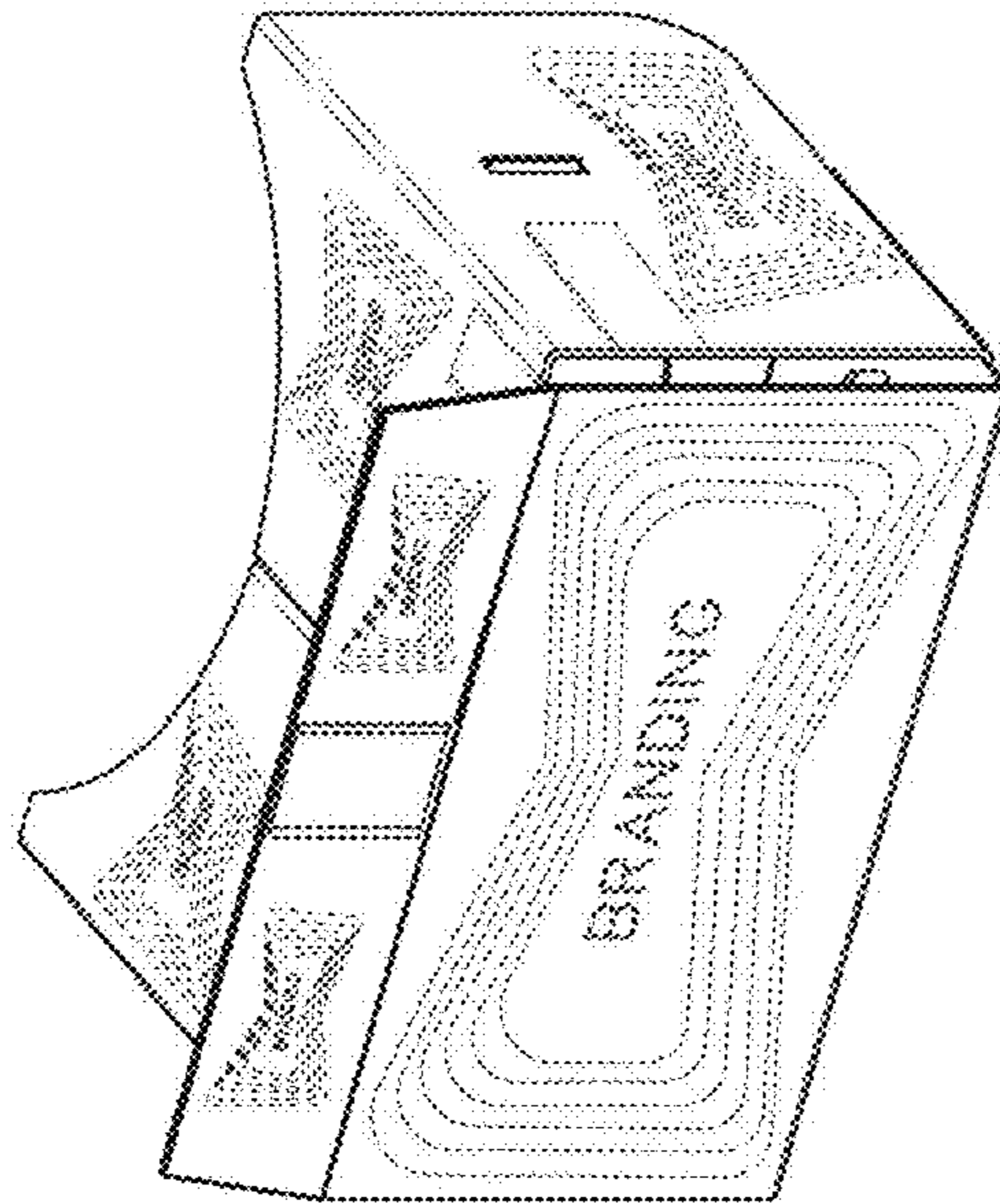


FIG. 15

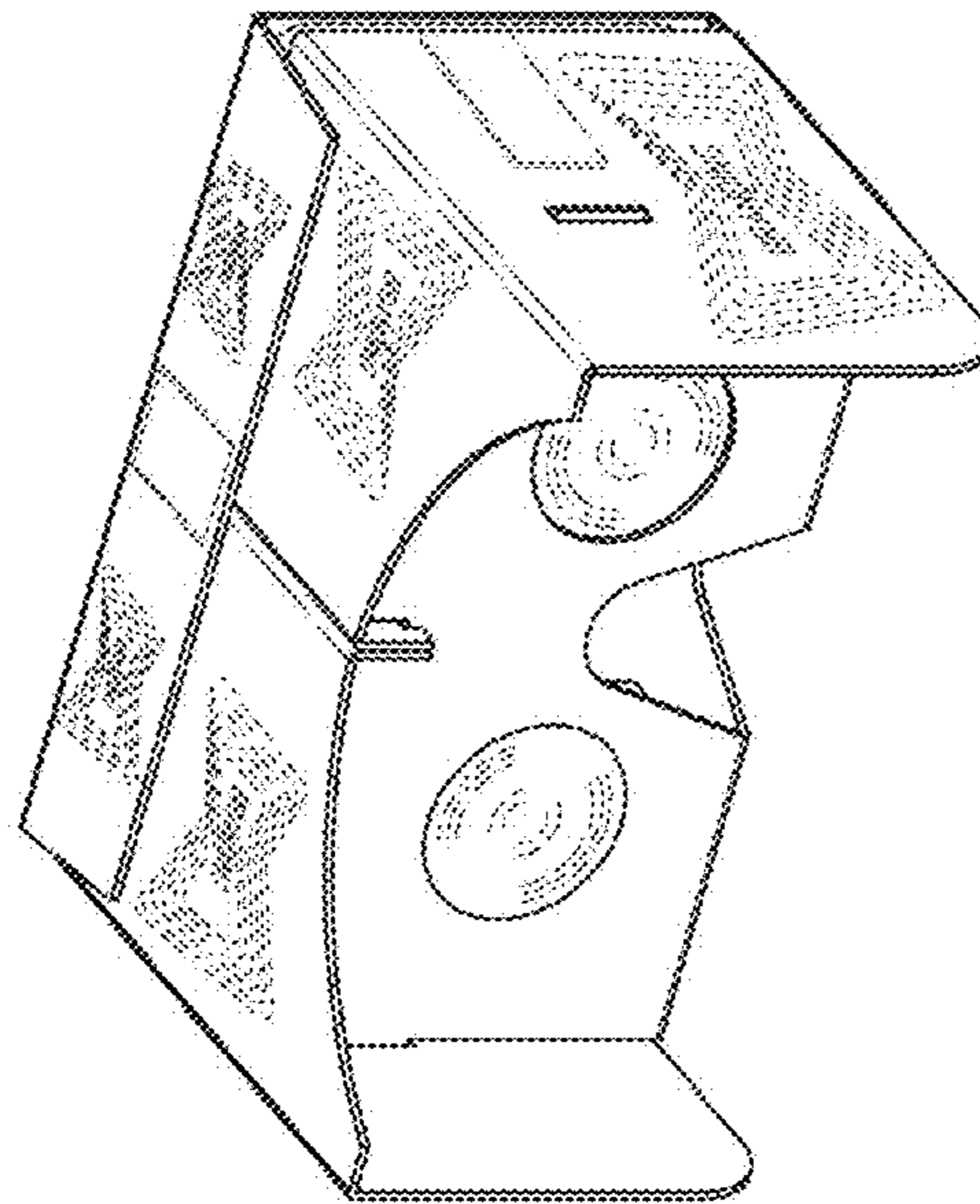


FIG. 16

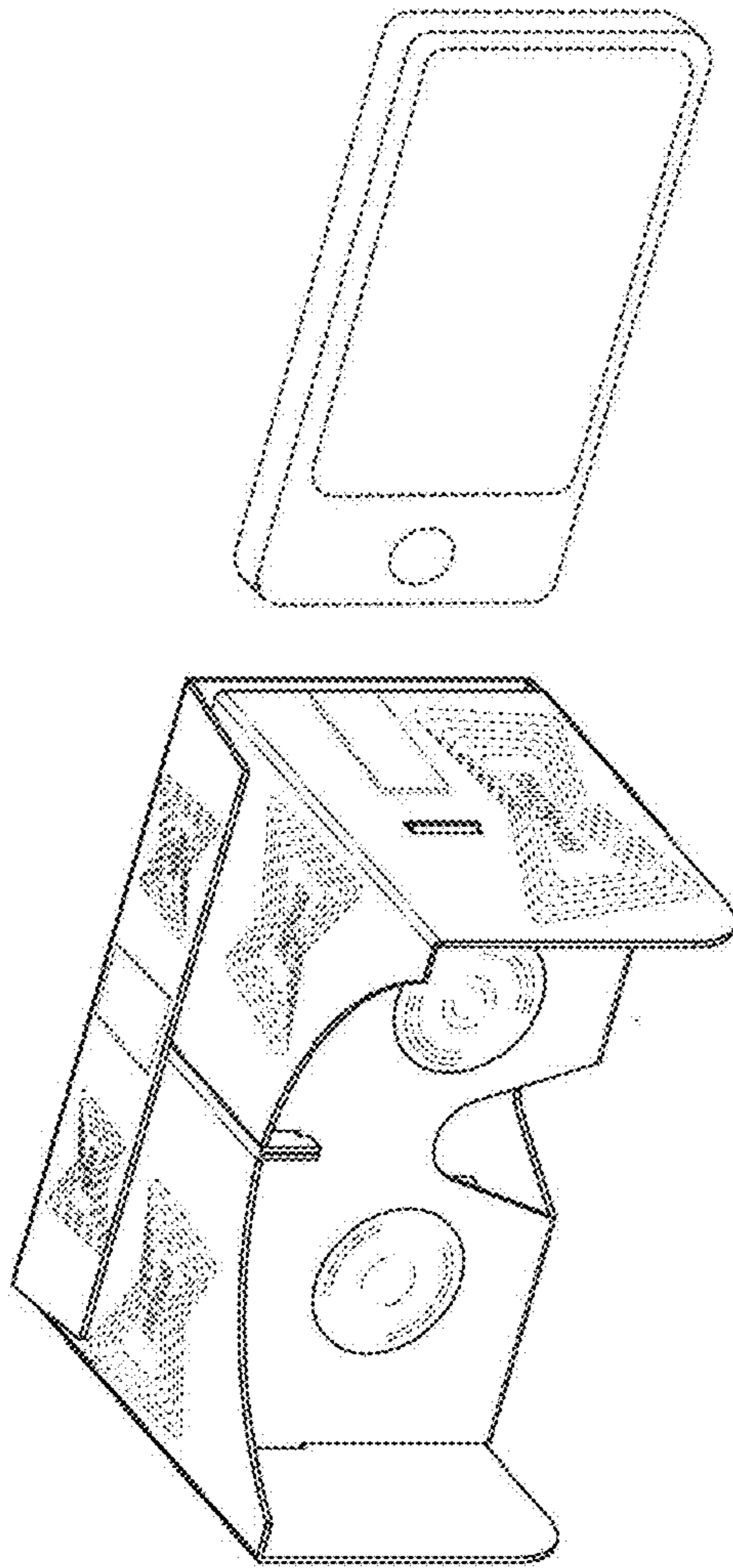


FIG. 17

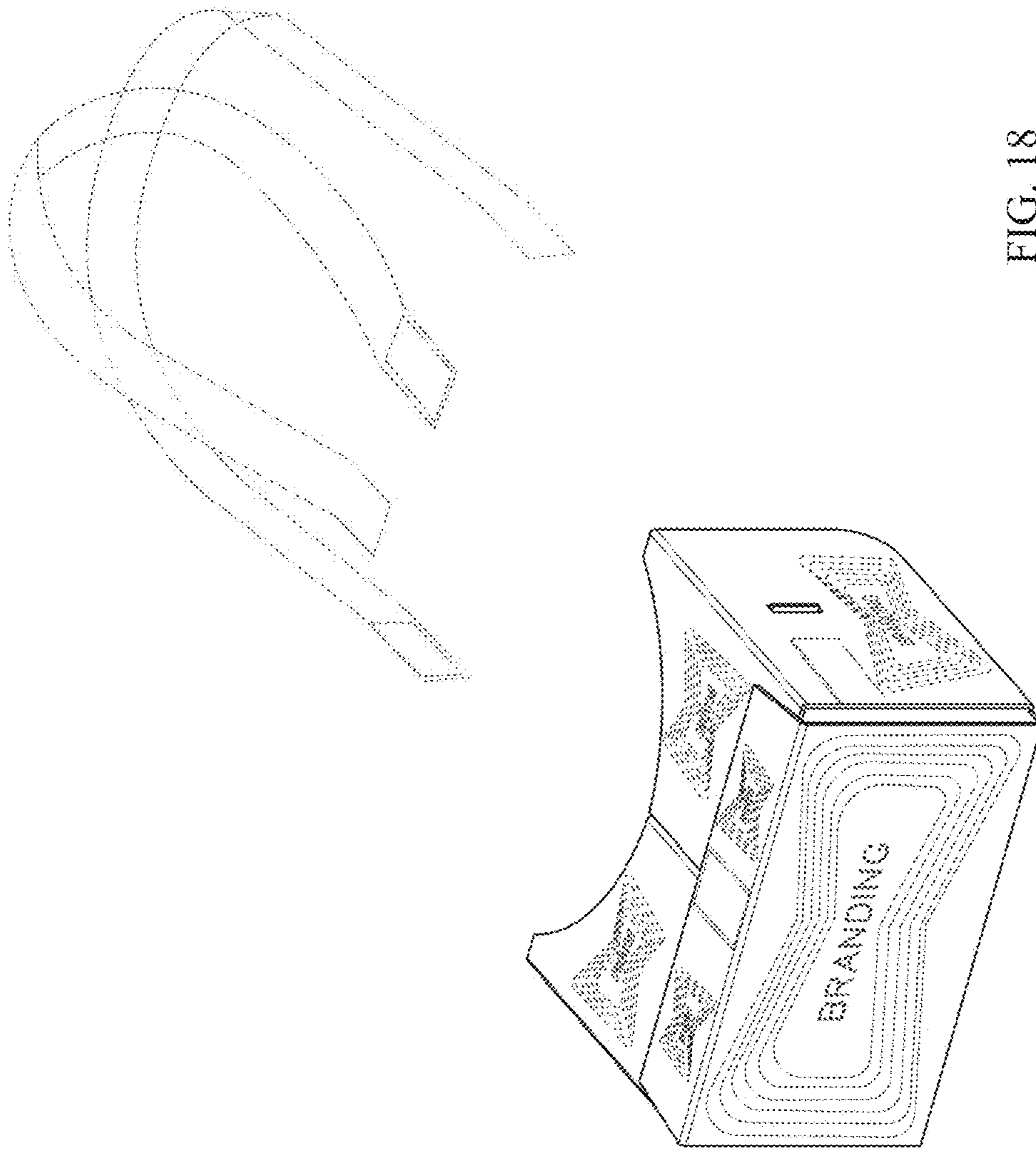


FIG. 18

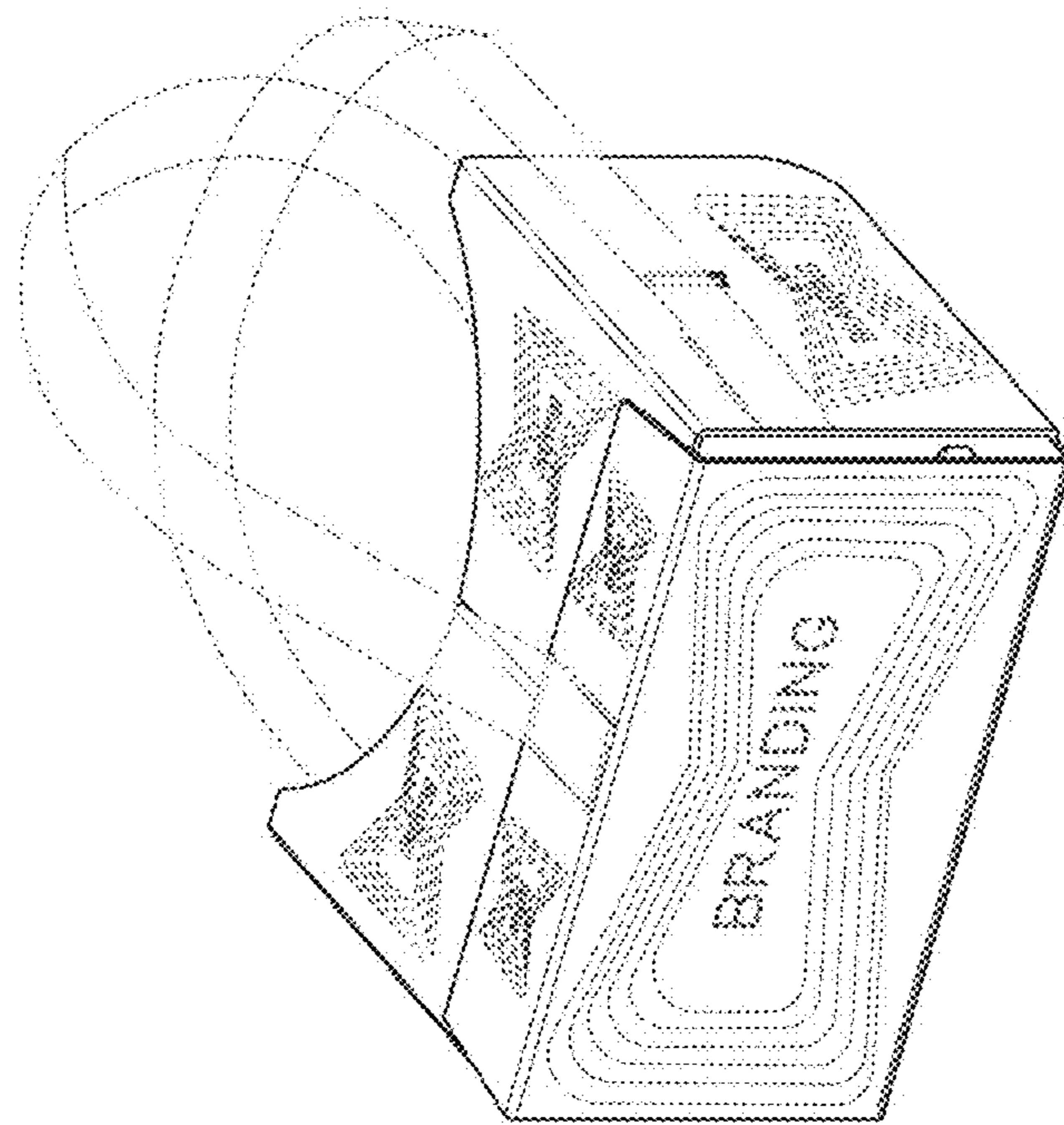


FIG. 19

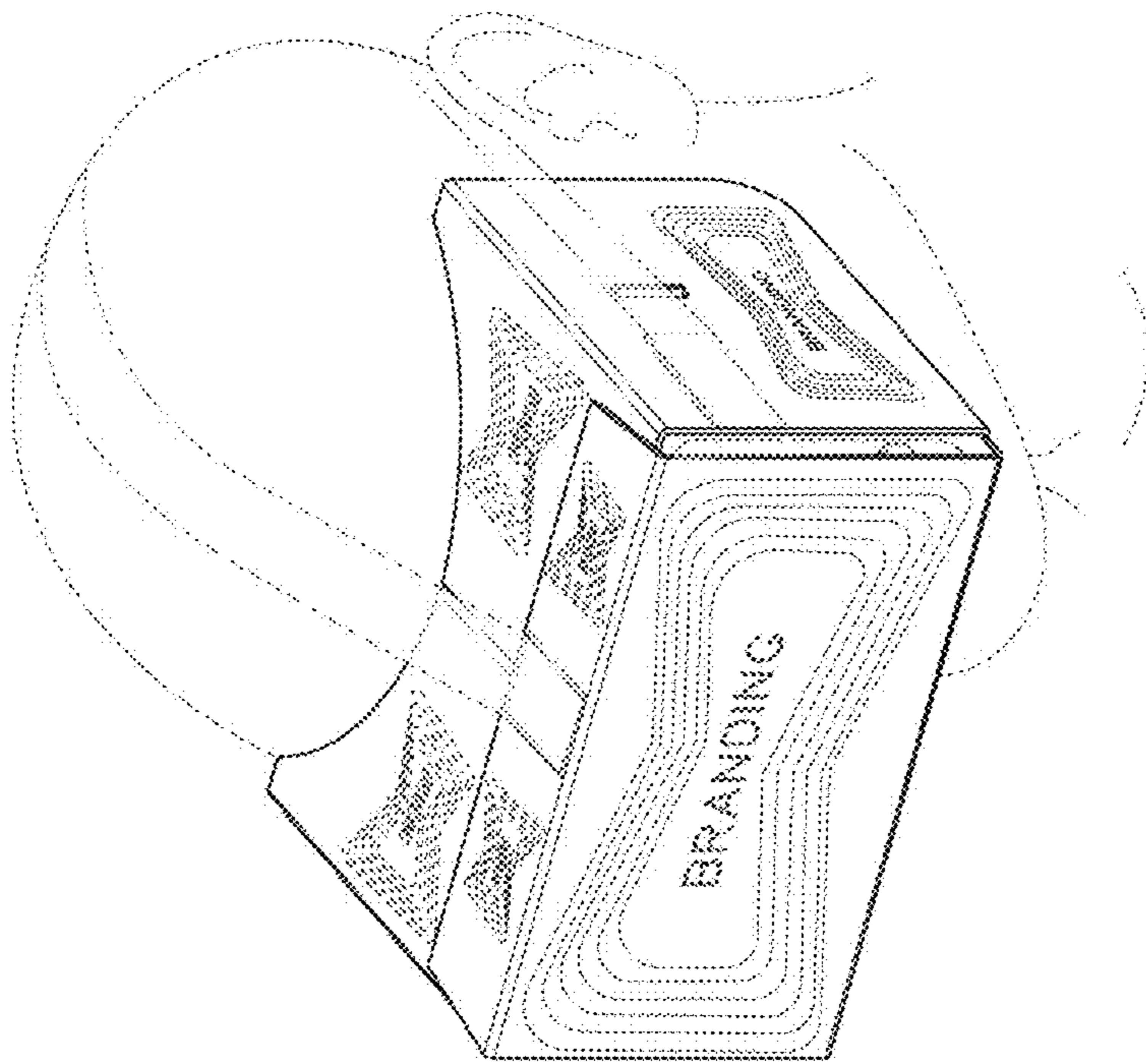


FIG. 20

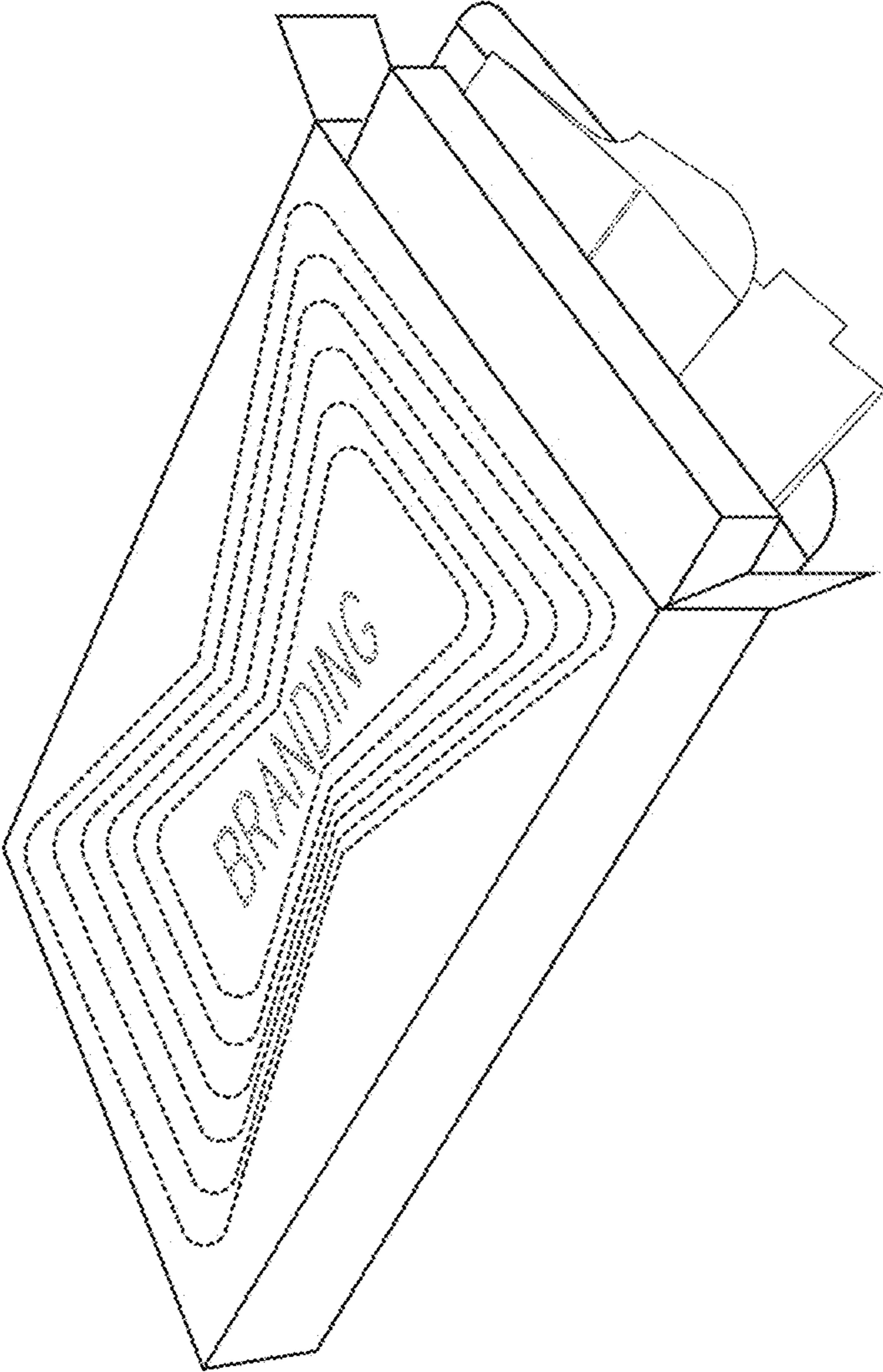


FIG. 21

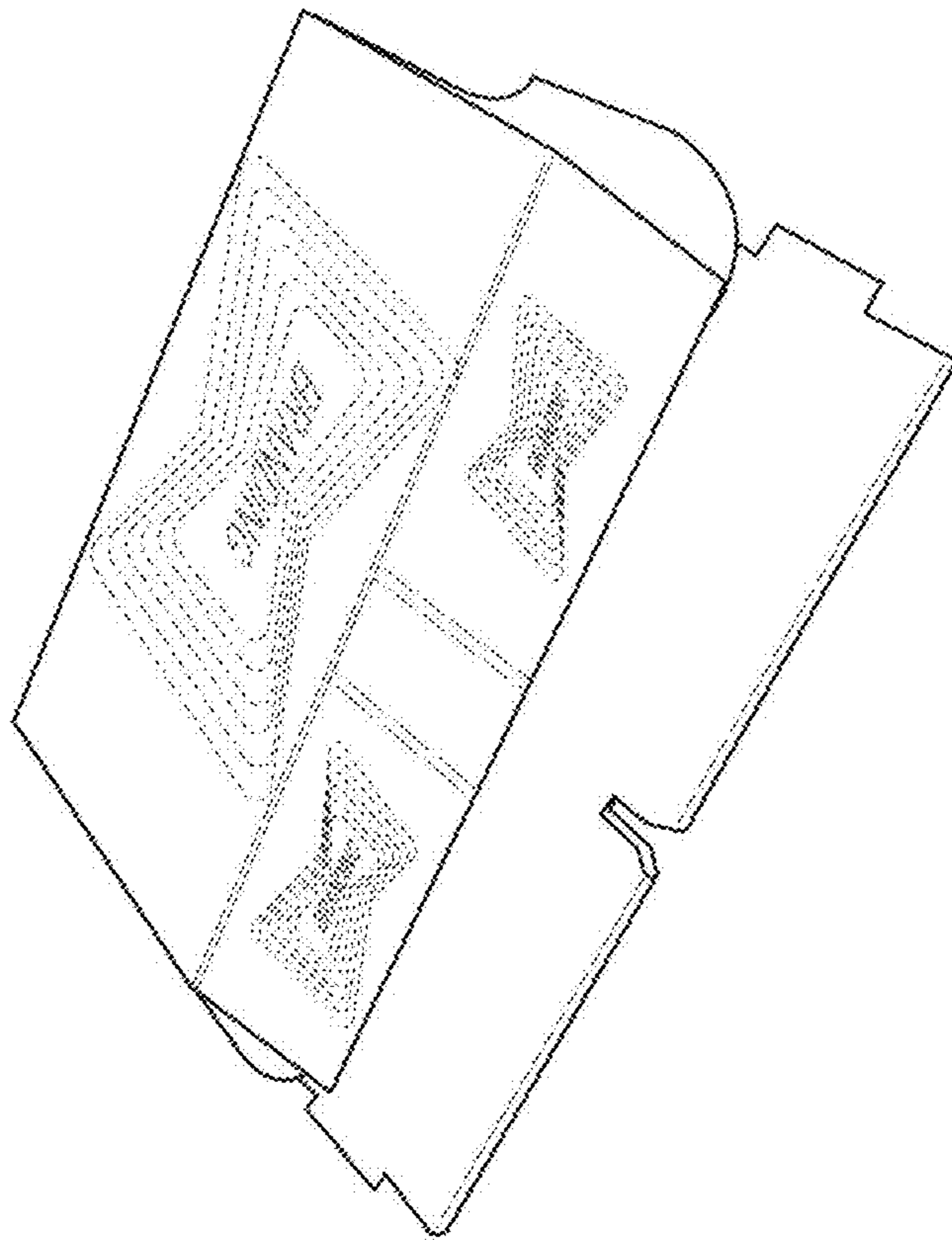


FIG. 22

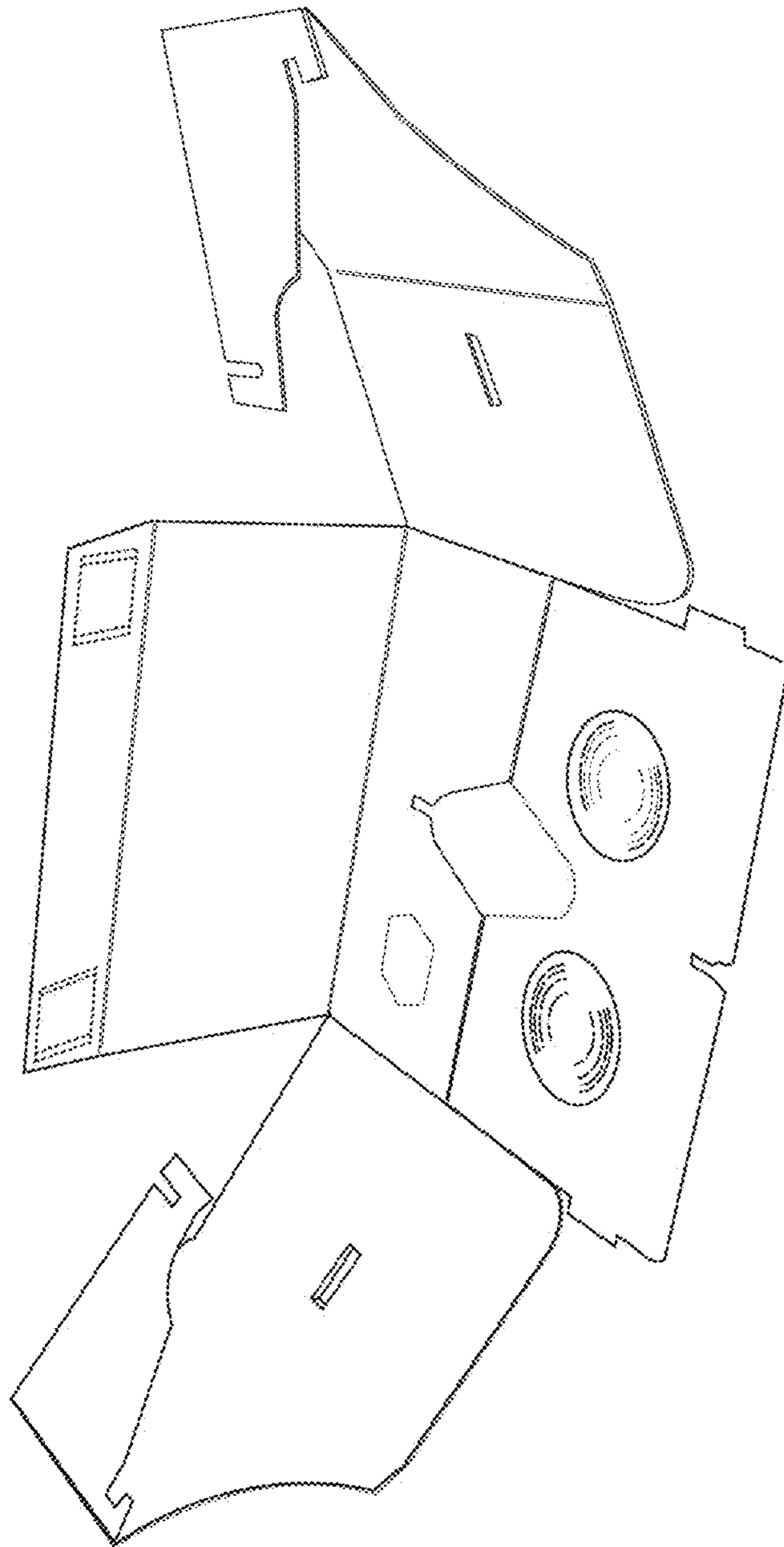


FIG. 23