



US00D914016S

(12) **United States Design Patent**  
**Steffen et al.**

(10) **Patent No.:** **US D914,016 S**  
(45) **Date of Patent:** **\*\* Mar. 23, 2021**

- (54) **SENSOR SIGNAL RECEIVER**
- (71) Applicant: **Eaton Intelligent Power Limited**,  
Dublin (IE)
- (72) Inventors: **Glenn John Steffen**, Chanhassen, MN  
(US); **Rajkiran Rokade**, Pune (IN);  
**Dipesh Chauhan**, Pune (IN)
- (73) Assignee: **EATON**, Dublin (IE)
- (\*\*) Term: **15 Years**
- (21) Appl. No.: **29/665,871**
- (22) Filed: **Oct. 8, 2018**
- (51) **LOC (13) Cl.** ..... **14-02**
- (52) **U.S. Cl.**  
USPC ..... **D14/358**
- (58) **Field of Classification Search**  
USPC ..... D14/240, 242, 203.1, 203.6, 204, 205,  
D14/216, 299, 496, 230, 125, 129, 130,  
D14/140, 140.1, 140.2, 142, 155, 167,  
D14/168, 172, 188, 195, 356, 357, 358,  
D14/432, 433; D10/104.1, 106.1, 106.6,  
D10/116.1, 61, 64, 75, 106.9, 65, 46.52,  
D10/53  
CPC ... H04W 88/08; H04W 88/085; H04W 88/00;  
H04W 88/005; H04W 88/02; H04W  
88/12; H04W 88/14; H04W 88/16; H04W  
88/18; H04W 4/00; H04W 16/26; G01M  
10/00; G04F 1/005; G01F 5/005  
See application file for complete search history.

- D371,361 S \* 7/1996 Velinsky ..... D14/155
- 6,293,758 B1 \* 9/2001 Green ..... F04B 43/009  
417/53
- D472,175 S \* 3/2003 Welsh ..... D10/106.5
- D504,074 S \* 4/2005 Tsujimura ..... D10/46
- D516,043 S \* 2/2006 Jacoby ..... D13/165
- D566,698 S \* 4/2008 Choi ..... D14/240

(Continued)

**OTHER PUBLICATIONS**

LifeSense Hose pct\_1543742. [online PDF] 10 pgs. 2015. [retrieved  
Apr. 9, 2020] [http://www.eaton.com/ecm/groups/public/@pub/@eaton/@hyd/documents/content/pct\\_1543742.pdf](http://www.eaton.com/ecm/groups/public/@pub/@eaton/@hyd/documents/content/pct_1543742.pdf).\*

*Primary Examiner* — Marie D. Fast Horse  
(74) *Attorney, Agent, or Firm* — Jarett D. Millar

(57) **CLAIM**

The ornamental design for a sensor signal receiver, as shown  
and described.

**DESCRIPTION**

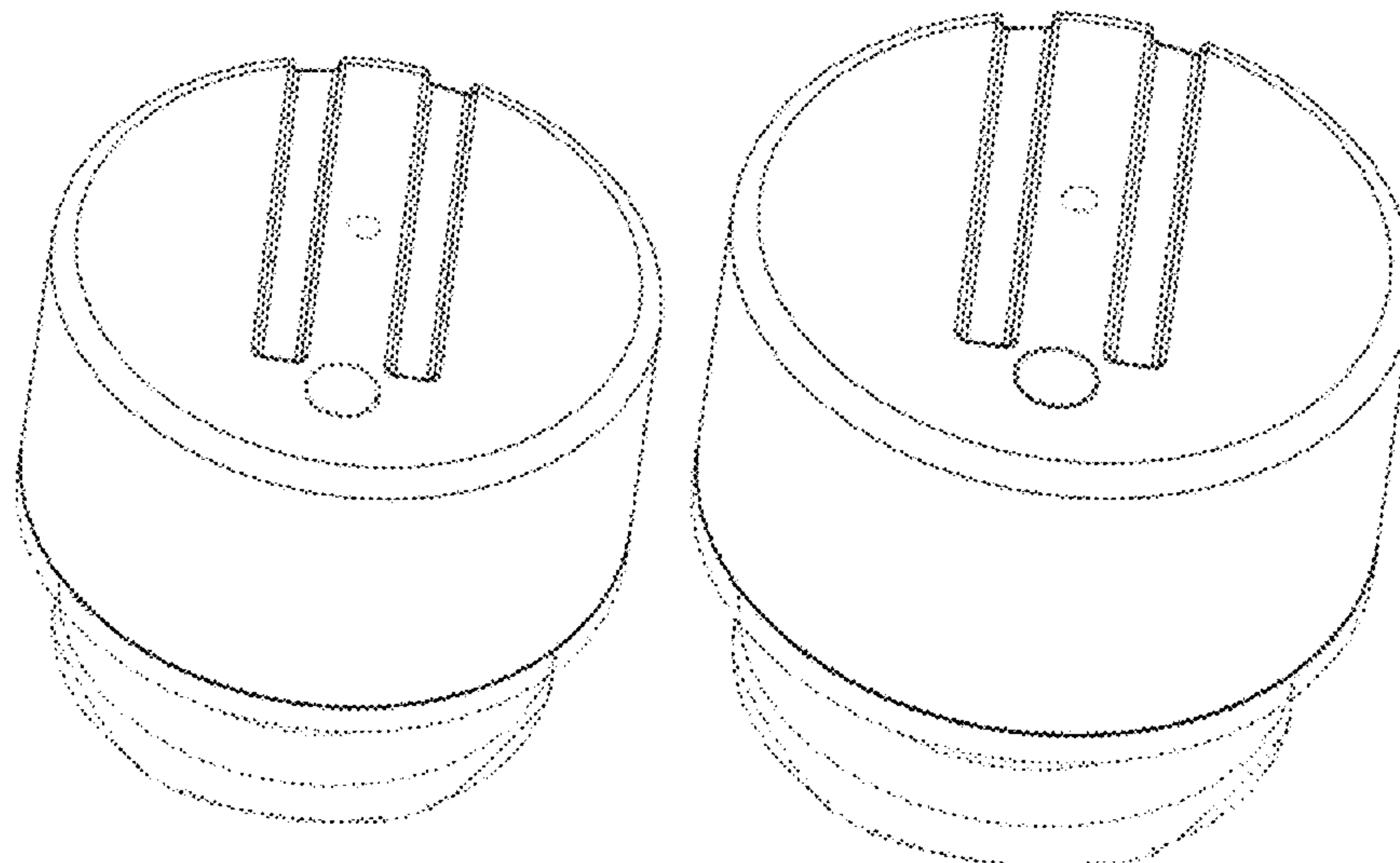
FIG. 1 is a perspective view of a sensor signal receiver showing our new design;  
 FIG. 2 is a front elevation view thereof;  
 FIG. 3 is a back elevation view thereof;  
 FIG. 4 is a right elevation view thereof;  
 FIG. 5 is a left elevation view thereof;  
 FIG. 6 is a bottom plan view thereof; and  
 FIG. 7 is a top plan view thereof.  
 FIG. 8 is a perspective view of an alternate embodiment of a sensor signal receiver showing our new design;  
 FIG. 9 is a front elevation view thereof;  
 FIG. 10 is a back elevation view thereof;  
 FIG. 11 is a right elevation view thereof;  
 FIG. 12 is a left elevation view thereof;  
 FIG. 13 is a bottom plan view thereof; and,  
 FIG. 14 is a top plan view thereof.  
 The broken lines depict portions of the sensor signal receiver that form no part of the claimed design.

**1 Claim, 8 Drawing Sheets**

(56) **References Cited**

**U.S. PATENT DOCUMENTS**

- 4,114,647 A \* 9/1978 Sturman ..... A01G 25/167  
137/624.2
- 4,421,417 A \* 12/1983 McQuade ..... G01F 1/363  
368/1
- D338,206 S \* 8/1993 Sawaguchi ..... D14/230
- D347,436 S \* 5/1994 Tang ..... D14/230



(56)

References Cited

U.S. PATENT DOCUMENTS

D586,810	S *	2/2009	Hershey .....	D14/358
D587,268	S *	2/2009	Hershey .....	D14/358
D589,044	S *	3/2009	Yoshida .....	D14/358
D674,787	S *	1/2013	Tsuda .....	D14/240
D694,740	S *	12/2013	Apostolakis .....	D14/240
D724,583	S *	3/2015	Ge .....	D14/358
D754,110	S *	4/2016	Jung .....	D14/240
D773,443	S *	12/2016	Sano .....	D14/230
D775,612	S *	1/2017	Sano .....	D14/230
9,562,822	B2 *	2/2017	Wells .....	G01M 3/02
D780,727	S *	3/2017	Wang .....	D14/240
D785,473	S *	5/2017	Zhao .....	D10/106.6
D788,776	S *	6/2017	Marzette, Jr. ....	D14/358
D795,092	S *	8/2017	Trishaun .....	D10/52
D806,691	S *	1/2018	Andersson .....	D14/358
D807,867	S *	1/2018	Kato .....	D14/358
D826,738	S *	8/2018	Liao .....	D10/52
D849,704	S *	5/2019	Kim .....	D14/356
D854,950	S *	7/2019	Seum .....	D10/53
D855,595	S *	8/2019	Yang .....	D14/242
D858,499	S *	9/2019	Yang .....	D14/242
D867,346	S *	11/2019	Hofstede .....	D14/222
D868,755	S *	12/2019	Yang .....	D14/230
D871,412	S *	12/2019	Aprile .....	D14/420
2015/0240972	A1 *	8/2015	Betsinger .....	G01M 5/0083
				138/104
2019/0391035	A1 *	12/2019	Remba Uribe .....	G01M 3/183
2019/0391102	A1 *	12/2019	Remba Uribe .....	G01N 27/20

\* cited by examiner

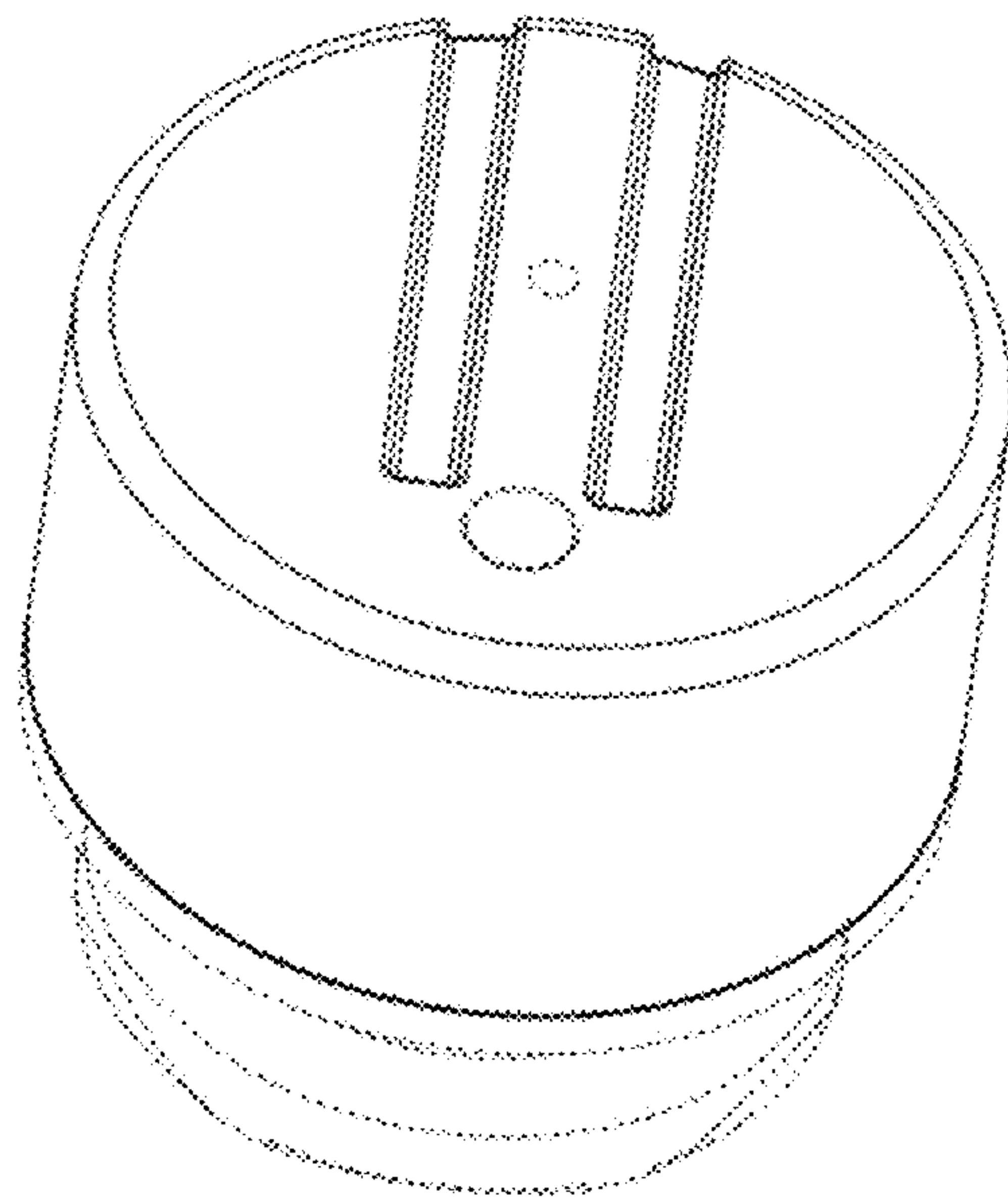


Fig. 1

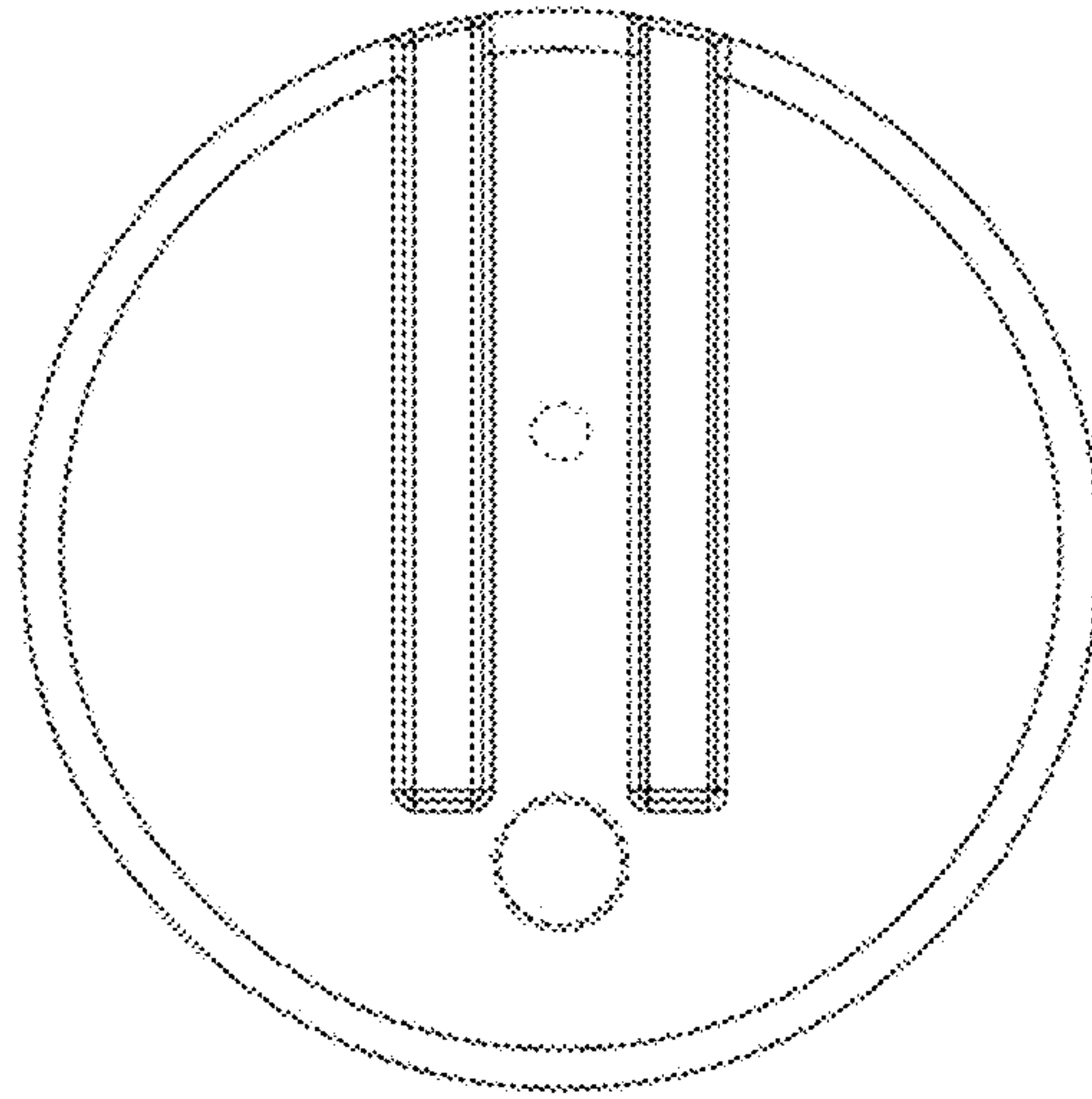


Fig. 2

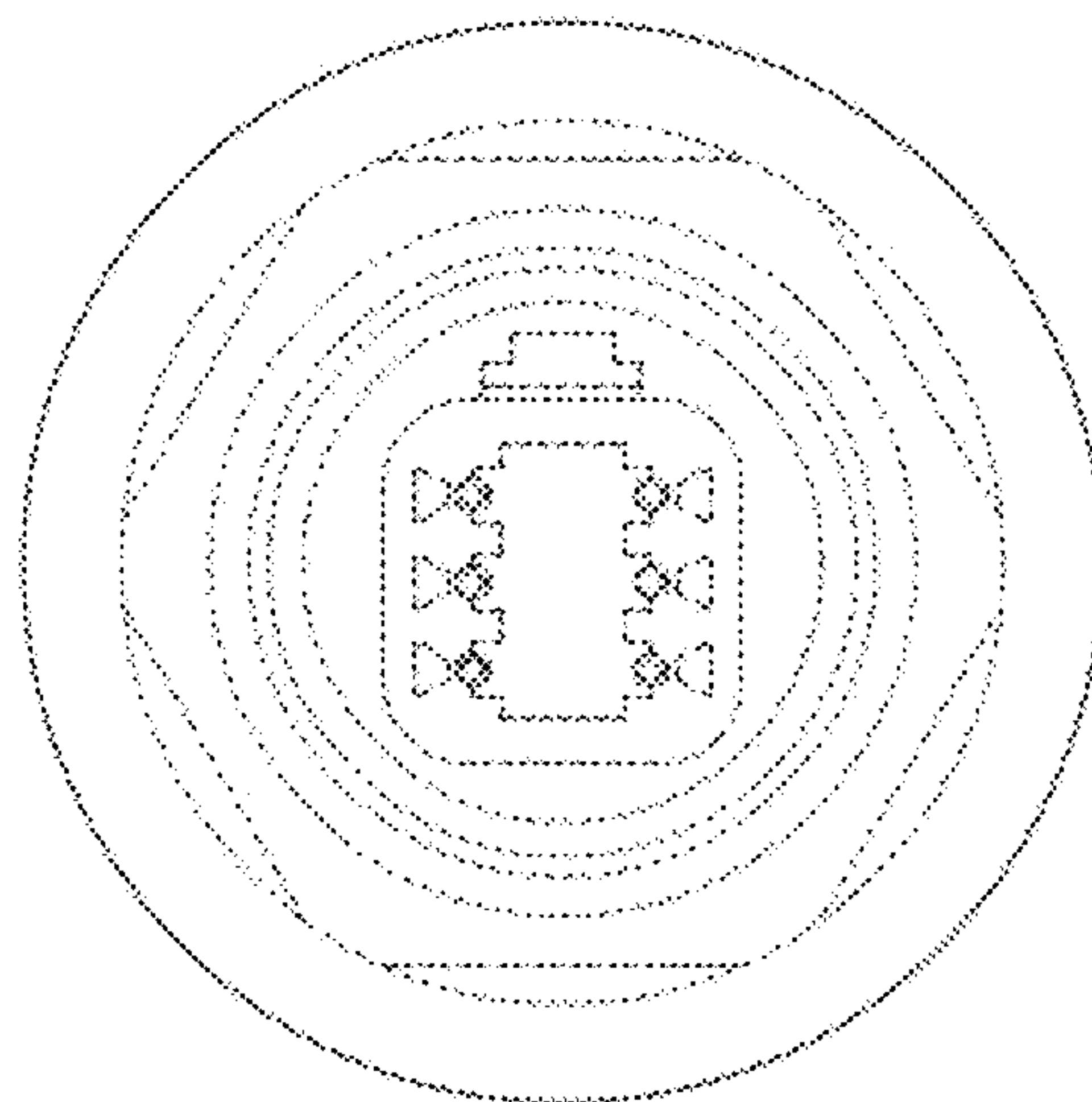


Fig. 3

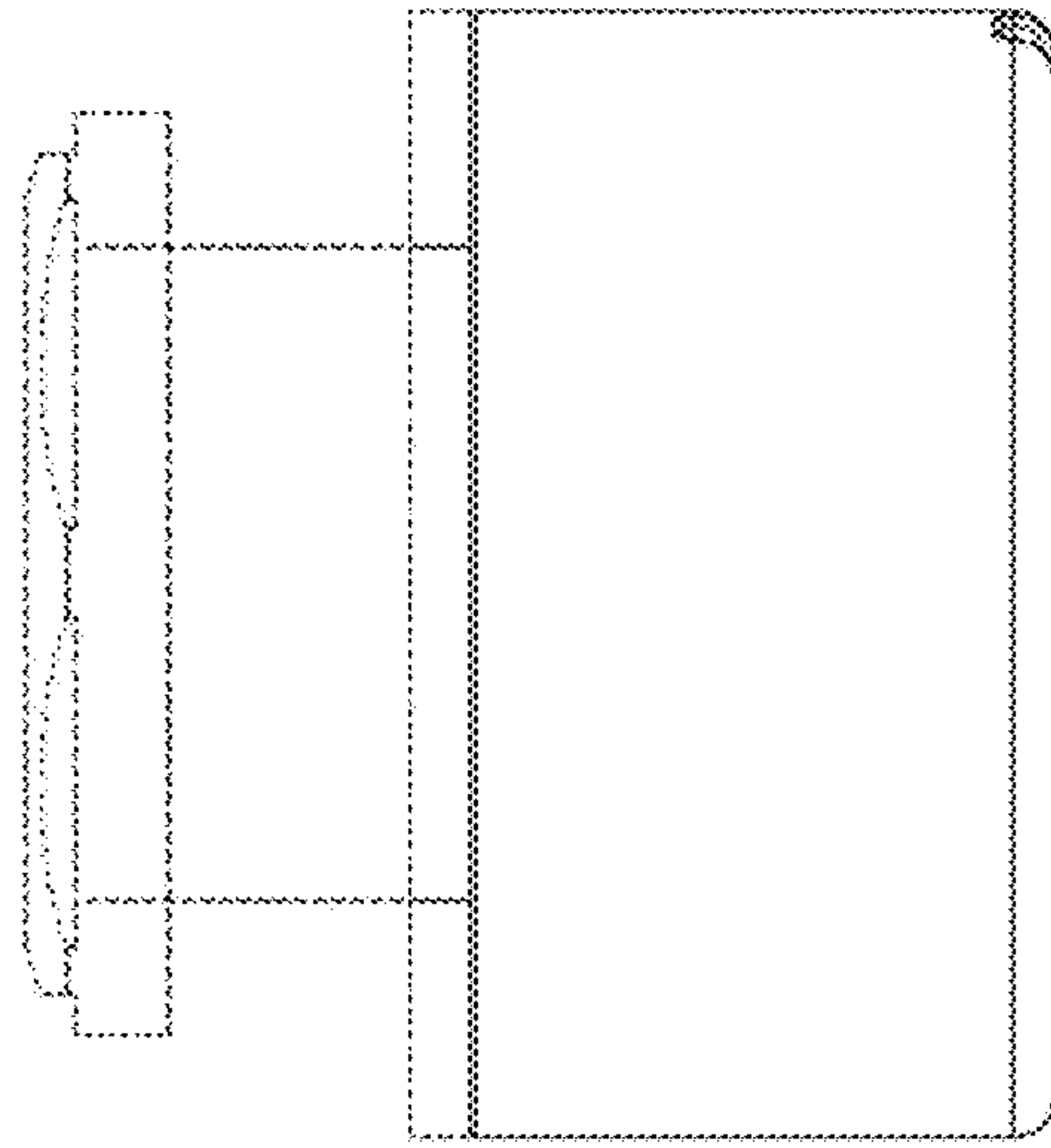


Fig. 4

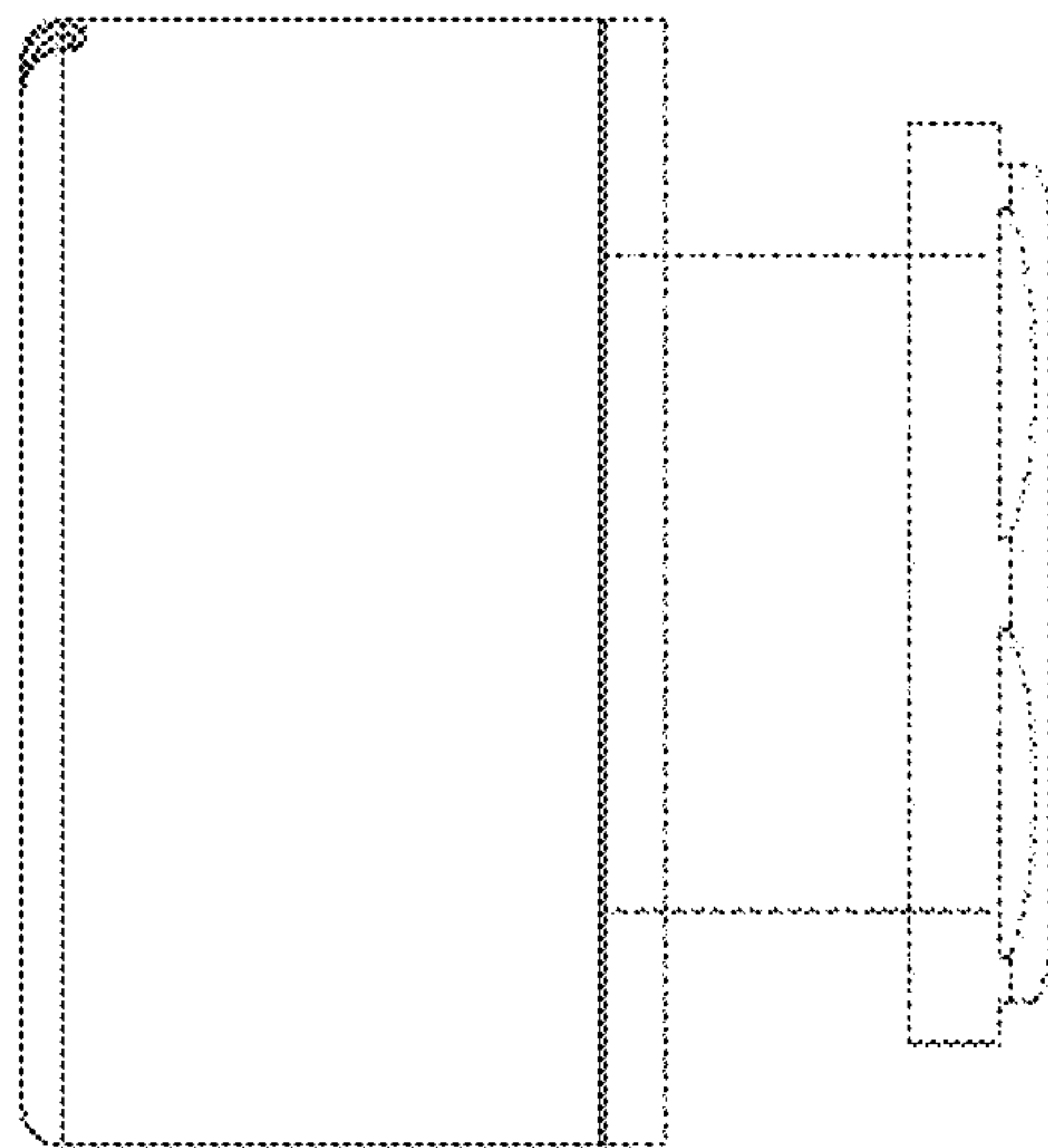


Fig. 5



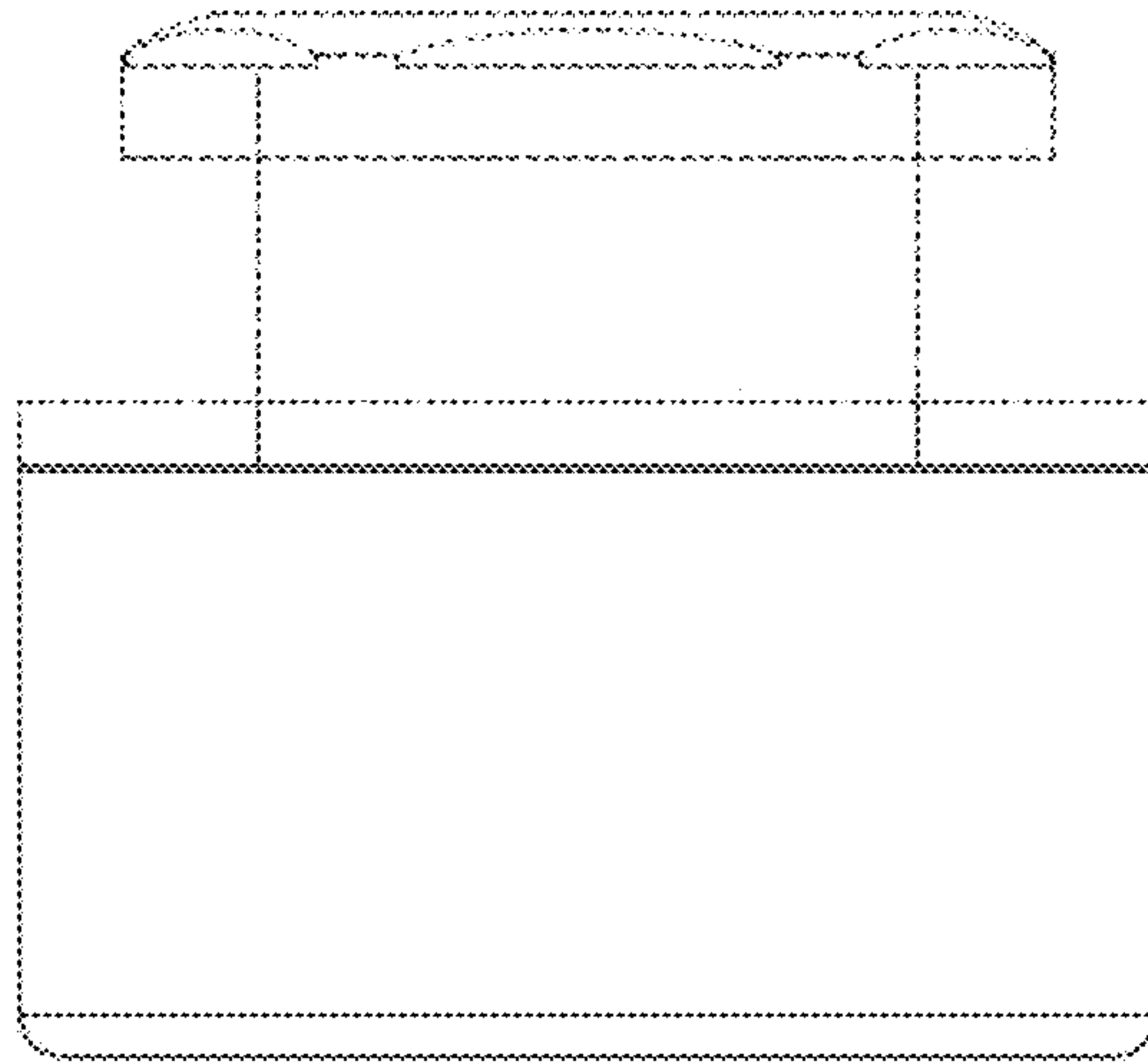


Fig. 6

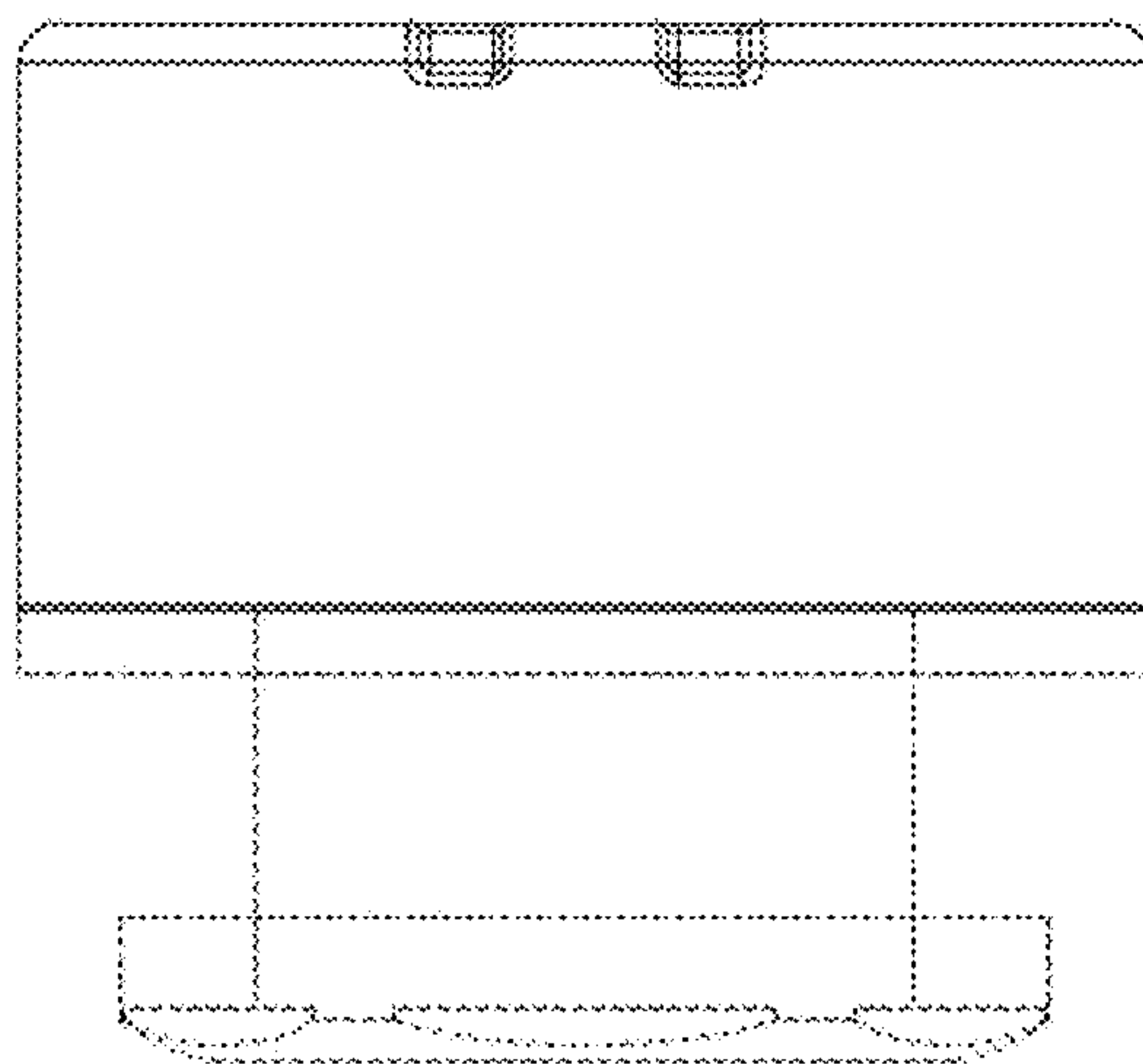


Fig. 7

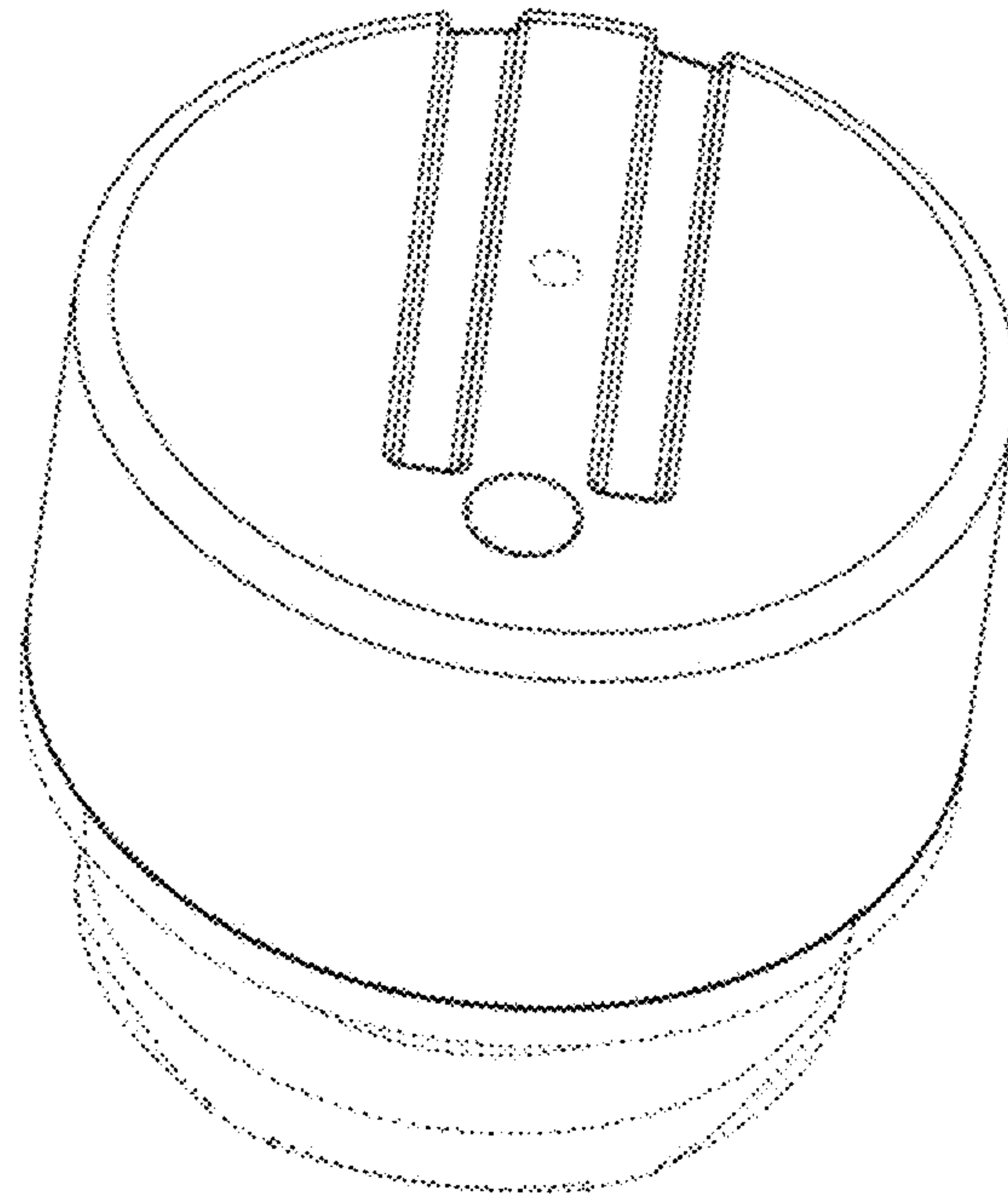


Fig. 8

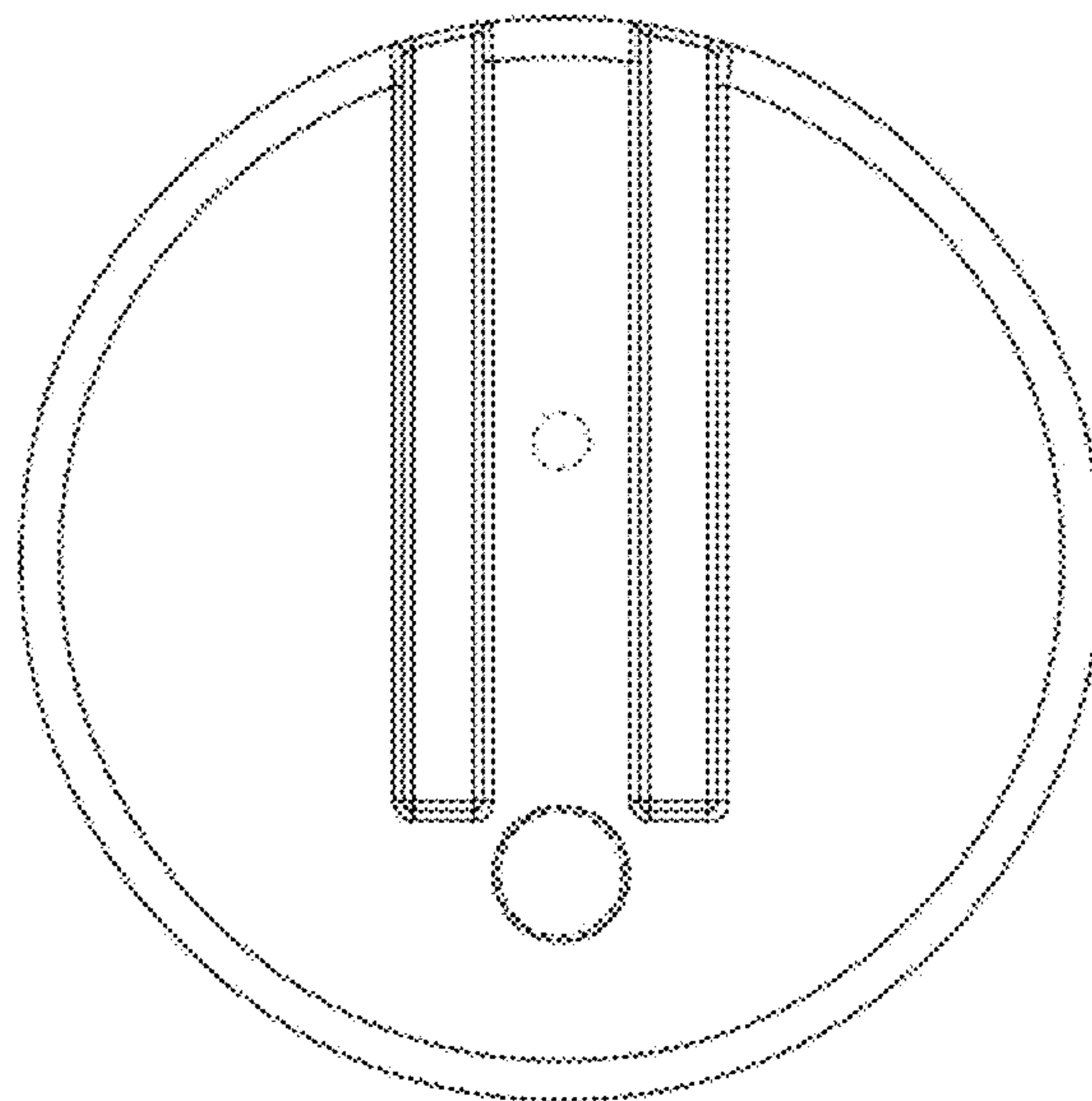


Fig. 9

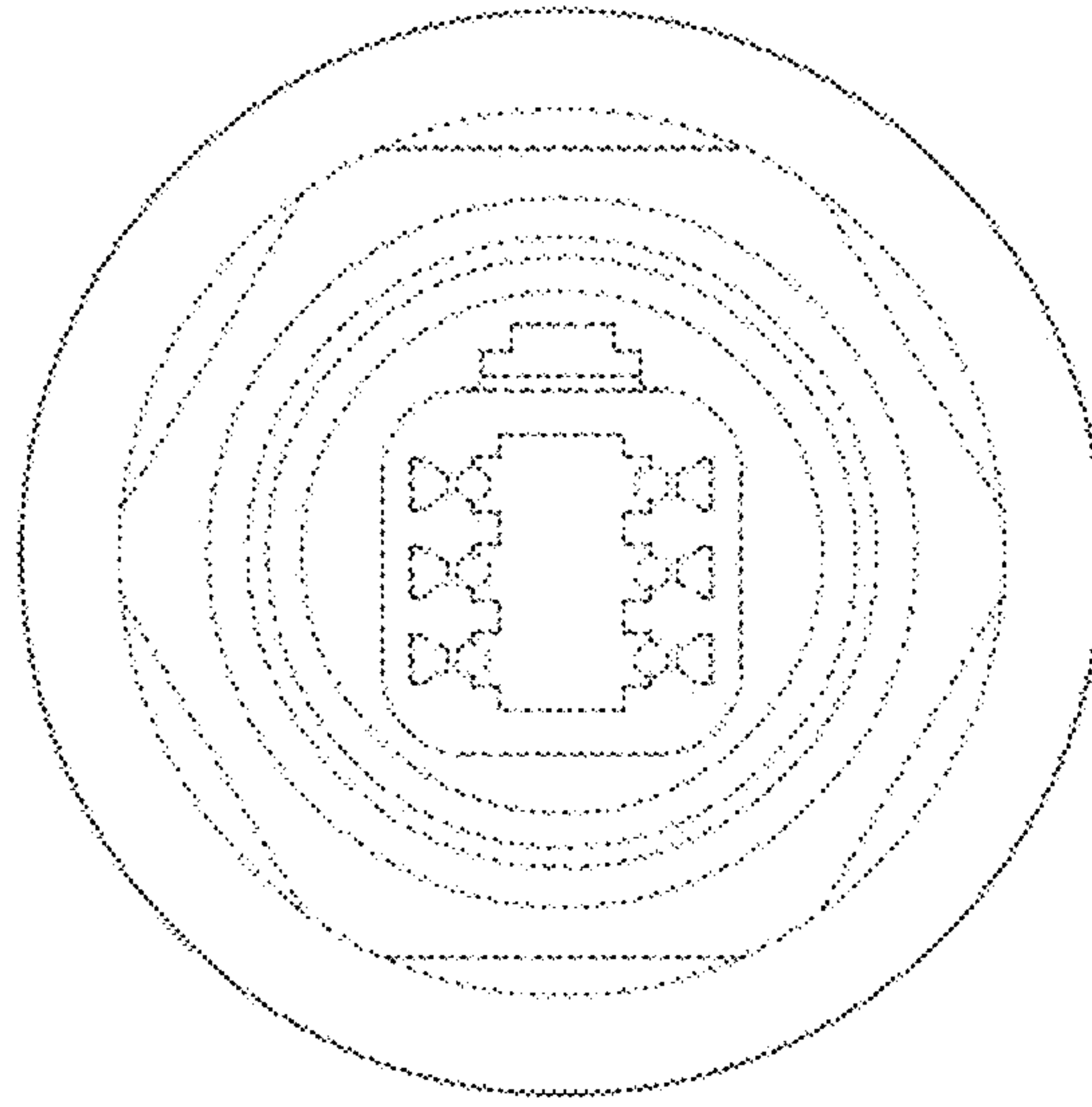


Fig. 10

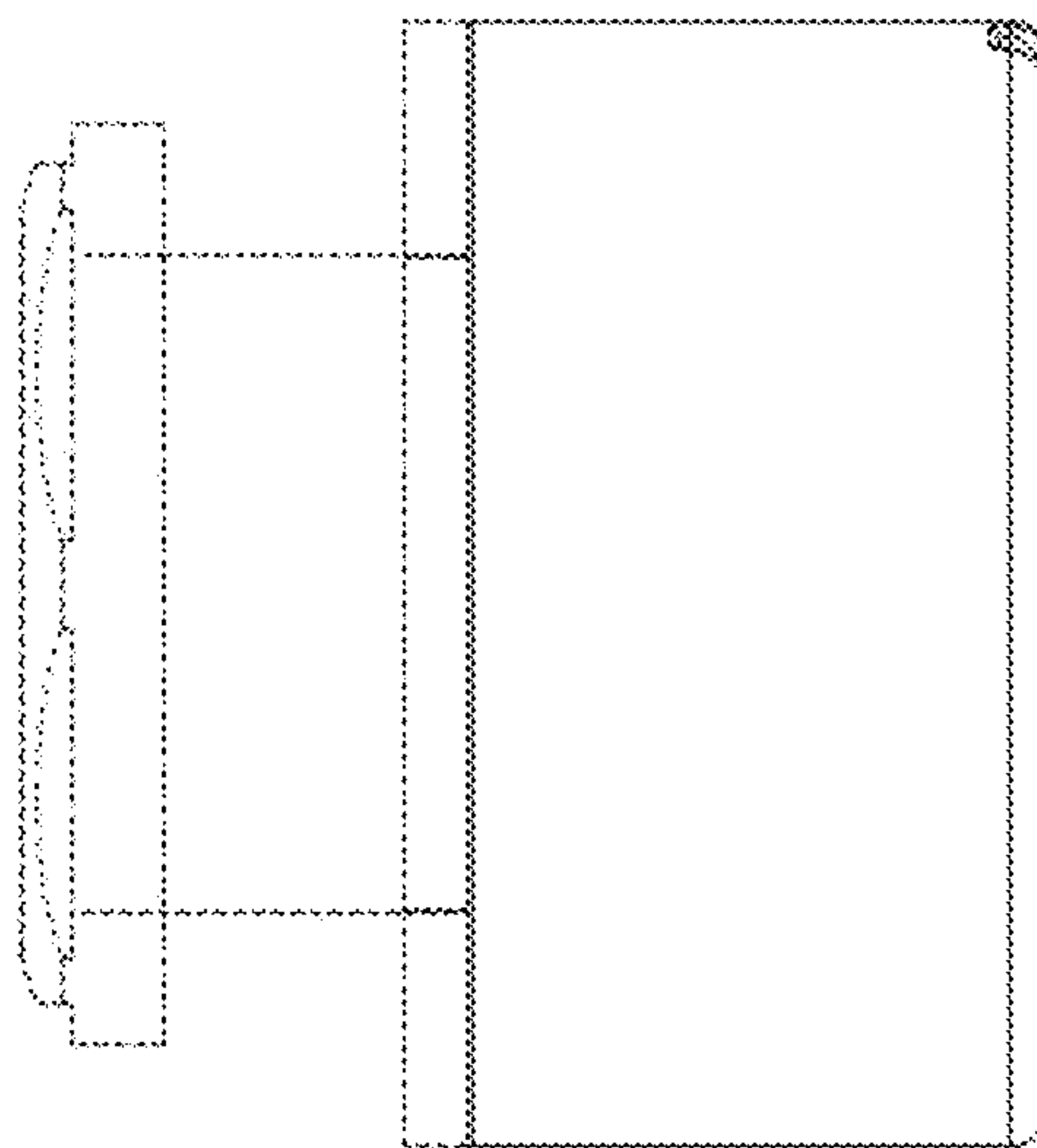


Fig. 11



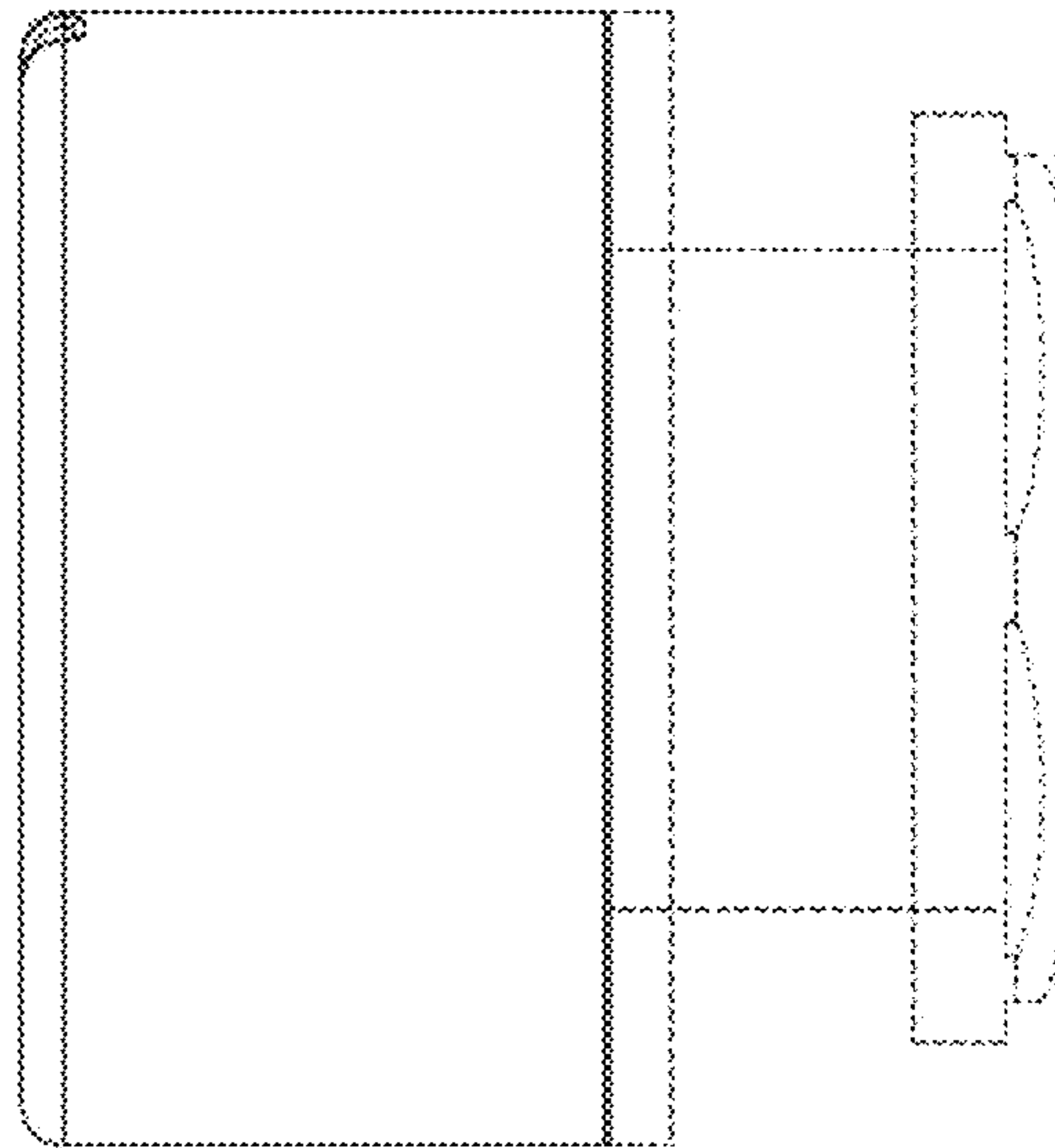


Fig. 12

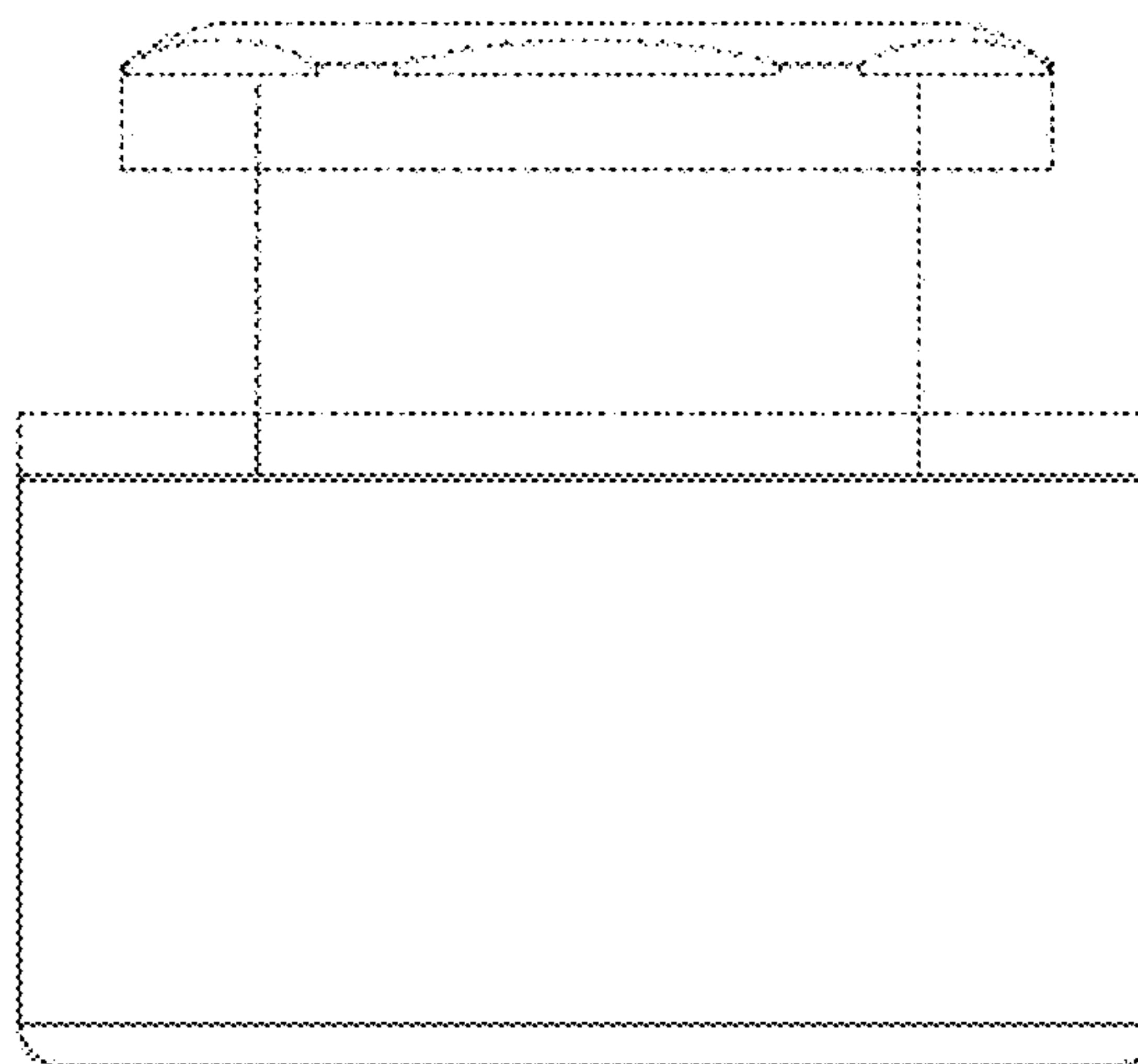


Fig. 13

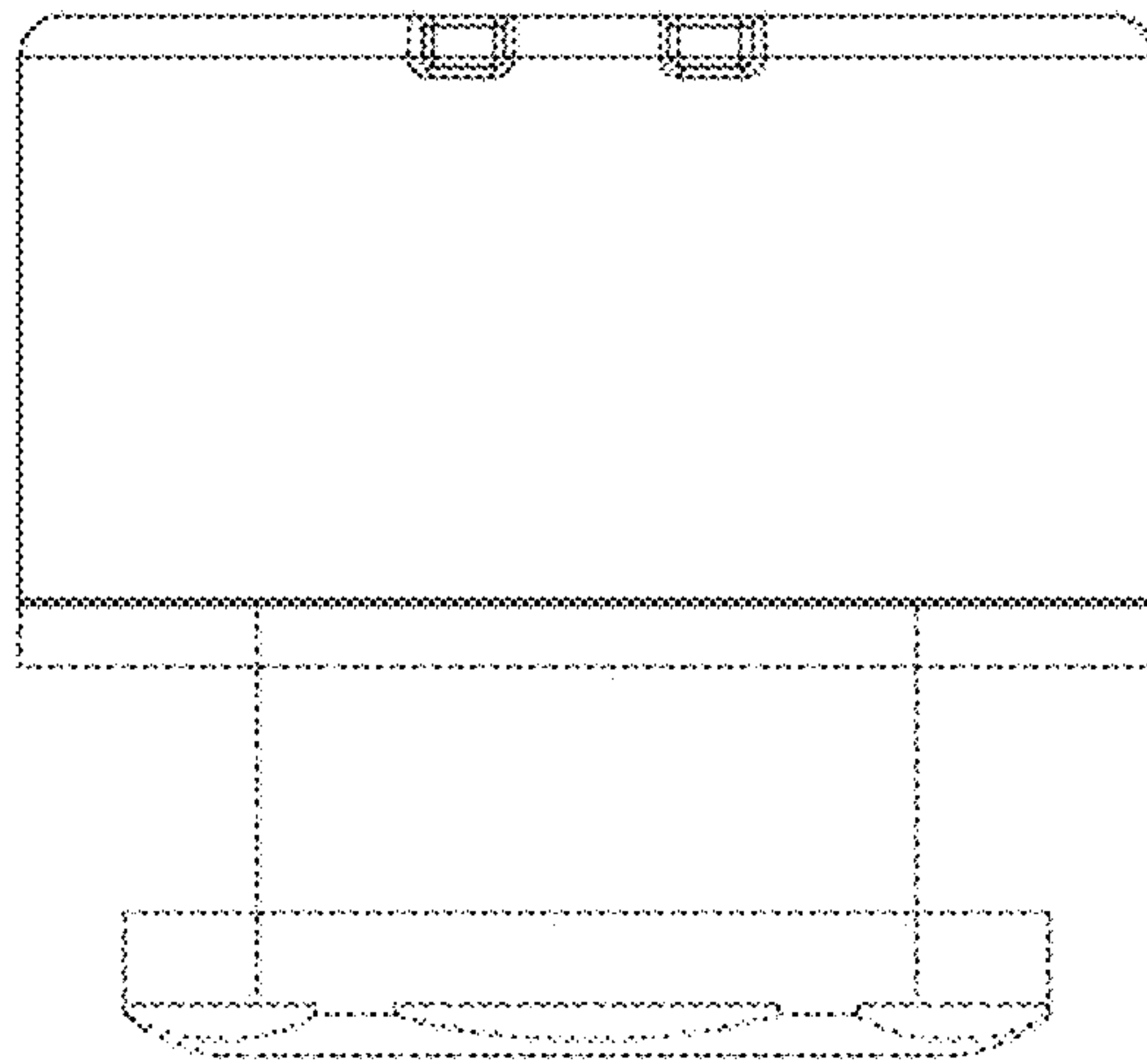


Fig. 14