



US00D914015S

(12) **United States Design Patent** (10) **Patent No.:** **US D914,015 S**
Ootori (45) **Date of Patent:** **** Mar. 23, 2021**

(54) **ELECTRONIC DEVICE**

FOREIGN PATENT DOCUMENTS

(71) Applicant: **SONY INTERACTIVE ENTERTAINMENT INC.**, Tokyo (JP)

BR 302019002287-0001 * 8/2019
CN 301938647 * 5/2012
JP D1422761 * 9/2011

(72) Inventor: **Yasuhiro Ootori**, Tokyo (JP)

OTHER PUBLICATIONS

(73) Assignee: **SONY INTERACTIVE ENTERTAINMENT INC.**, Tokyo (JP)

PlayStation 5, Sony, en.letsgodigital.org, published by Ilse Jurrien on Aug. 25, 2019 © 1999-2020 LetsGoDigital, online, site visited Dec. 21, 2020. Available at URL: <https://en.letsgodigital.org/game-consoles/sony-playstation-5-ps5/> (Year: 2019).*

(**) Term: **15 Years**

(Continued)

(21) Appl. No.: **29/693,045**

(22) Filed: **May 30, 2019**

Primary Examiner — Marissa J Cash
Assistant Examiner — Altaira J Swangin

(30) **Foreign Application Priority Data**

(74) *Attorney, Agent, or Firm* — Nixon & Vanderhye

Nov. 30, 2018 (JP) 2018-026115

(51) **LOC (13) Cl.** **14-02**

(57) **CLAIM**

(52) **U.S. Cl.**

USPC **D14/353**

(58) **Field of Classification Search**

USPC D14/140.1–140.2, 140.8, 240, 242,
D14/348–349, 351–359, 433–435;
D13/139.4, 146, 162–163, 179, 184;
D23/364–365; D21/324, 332–333

The ornamental design for an electronic device, as shown and described.

CPC H04W 88/00; H05K 5/00; H05K 5/03
See application file for complete search history.

DESCRIPTION

(56) **References Cited**

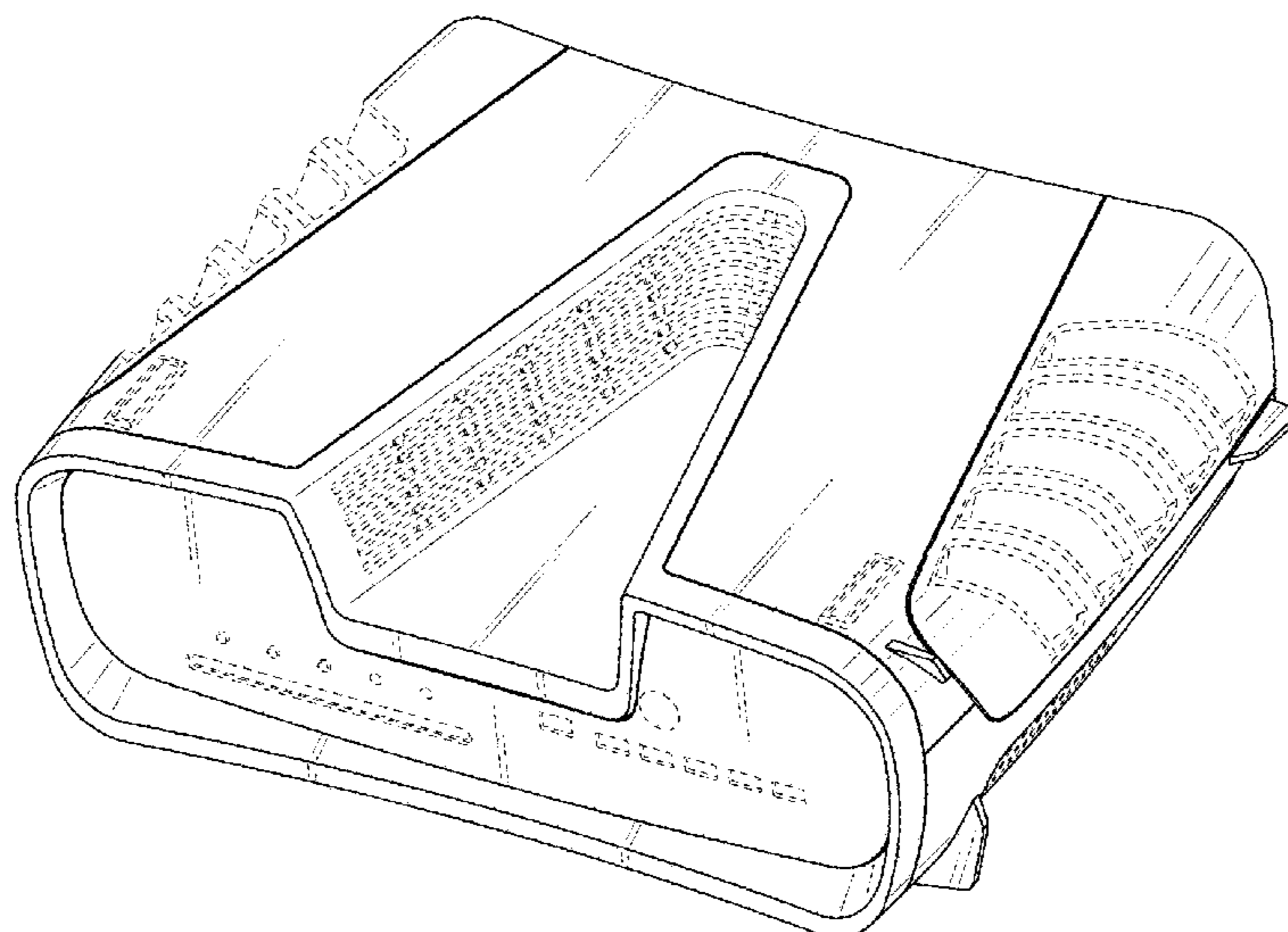
U.S. PATENT DOCUMENTS

D415,129 S * 10/1999 Wu D14/353
D418,486 S * 1/2000 Leavitt D14/354
D433,020 S * 10/2000 Silbermann D14/125
D451,919 S * 12/2001 Abboud D14/356
D518,481 S * 4/2006 Chen D14/349
D534,909 S * 1/2007 Weiher D14/356
D534,910 S * 1/2007 Weiher D14/356
D535,653 S * 1/2007 Chen D14/349
D546,825 S * 7/2007 Sun D14/349
D563,902 S * 3/2008 Radau D13/162

FIG. 1 is a front, left side and top perspective view of an electronic device showing the new design;
FIG. 2 is a rear, left side, and top perspective view thereof;
FIG. 3 is a rear, right side, and bottom perspective view thereof;
FIG. 4 is a front elevation view thereof;
FIG. 5 is a rear elevation view thereof;
FIG. 6 is a right side elevation view thereof;
FIG. 7 is a left side elevation view thereof;
FIG. 8 is a top plan view thereof; and,
FIG. 9 is a bottom plan view thereof.
The broken lines shown in the drawings illustrate portions of the electronic device that from no part of the claimed design.

(Continued)

1 Claim, 7 Drawing Sheets



(56)

References Cited

U.S. PATENT DOCUMENTS

D588,552	S	*	3/2009	Radau	D13/162
D599,346	S	*	9/2009	Thia	D14/356
D614,619	S	*	4/2010	Haase	D14/349
D614,620	S	*	4/2010	Haase	D14/349
D627,345	S	*	11/2010	Govindasamy	D14/356
D628,201	S	*	11/2010	Tian	D14/434
D691,134	S	*	10/2013	Lee	D14/349
D693,776	S	*	11/2013	Skowranek	D13/162
D698,788	S	*	2/2014	Daniel	D14/352
D824,900	S	*	8/2018	Wu	D14/356
D832,889	S	*	11/2018	Zheng	D15/7
D857,062	S	*	8/2019	Lee	D15/7
D885,497	S	*	5/2020	Miller	D21/566
D892,776	S	*	8/2020	Ramones	D14/240
D902,259	S	*	11/2020	Vintzel	D15/9

OTHER PUBLICATIONS

PlayStation 5, Sony, [thesun.co.uk](https://www.thesun.co.uk), published by Sean Keach on Aug. 31, 2019 © News Group Newspapers Limited, online, site visited Dec. 21, 2020. Available at URL: <https://www.thesun.co.uk/tech/9830808/ps5-leak-playstation-5-design-news-rumours/> (Year: 2019).*

* cited by examiner

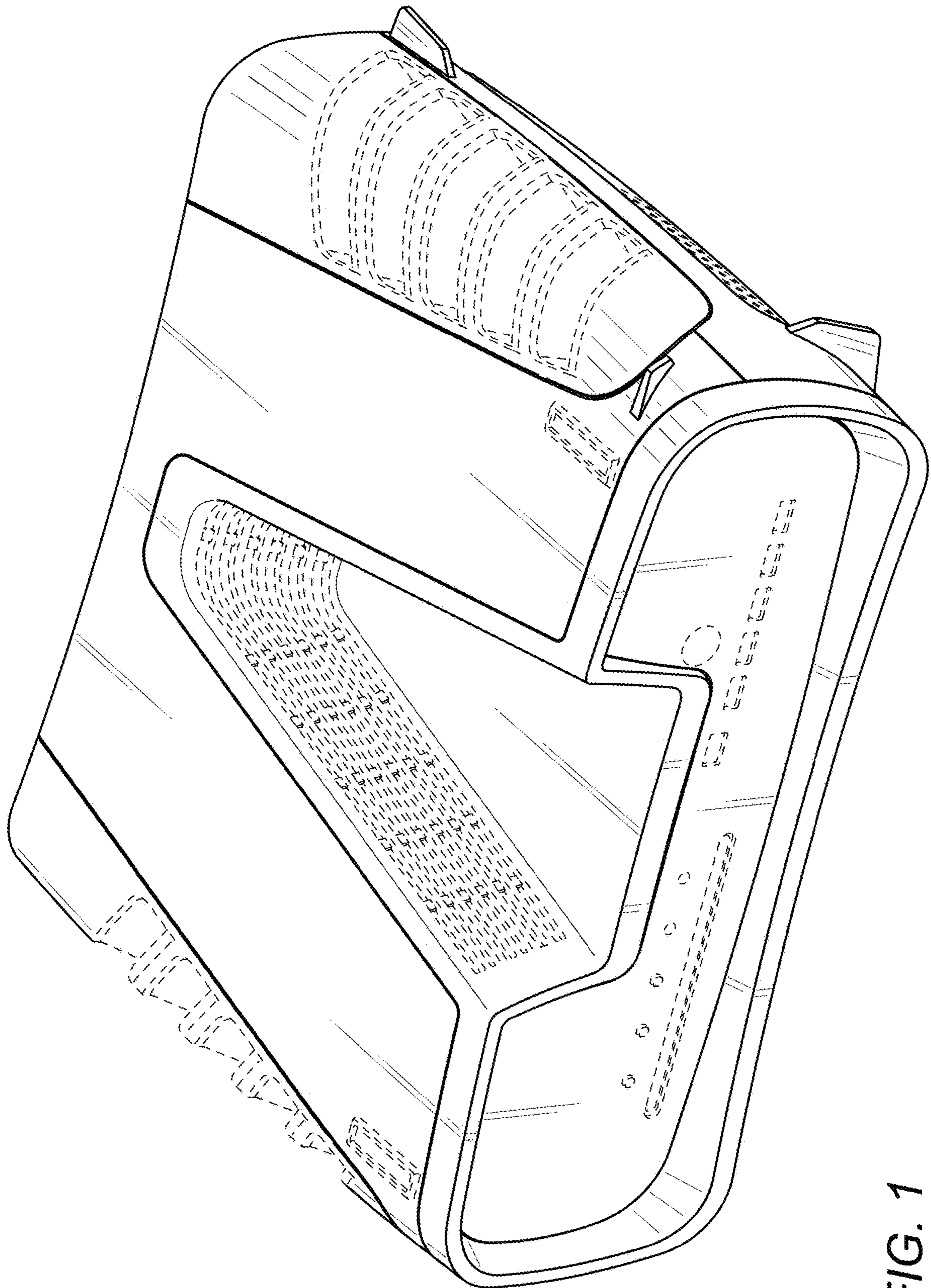


FIG. 1

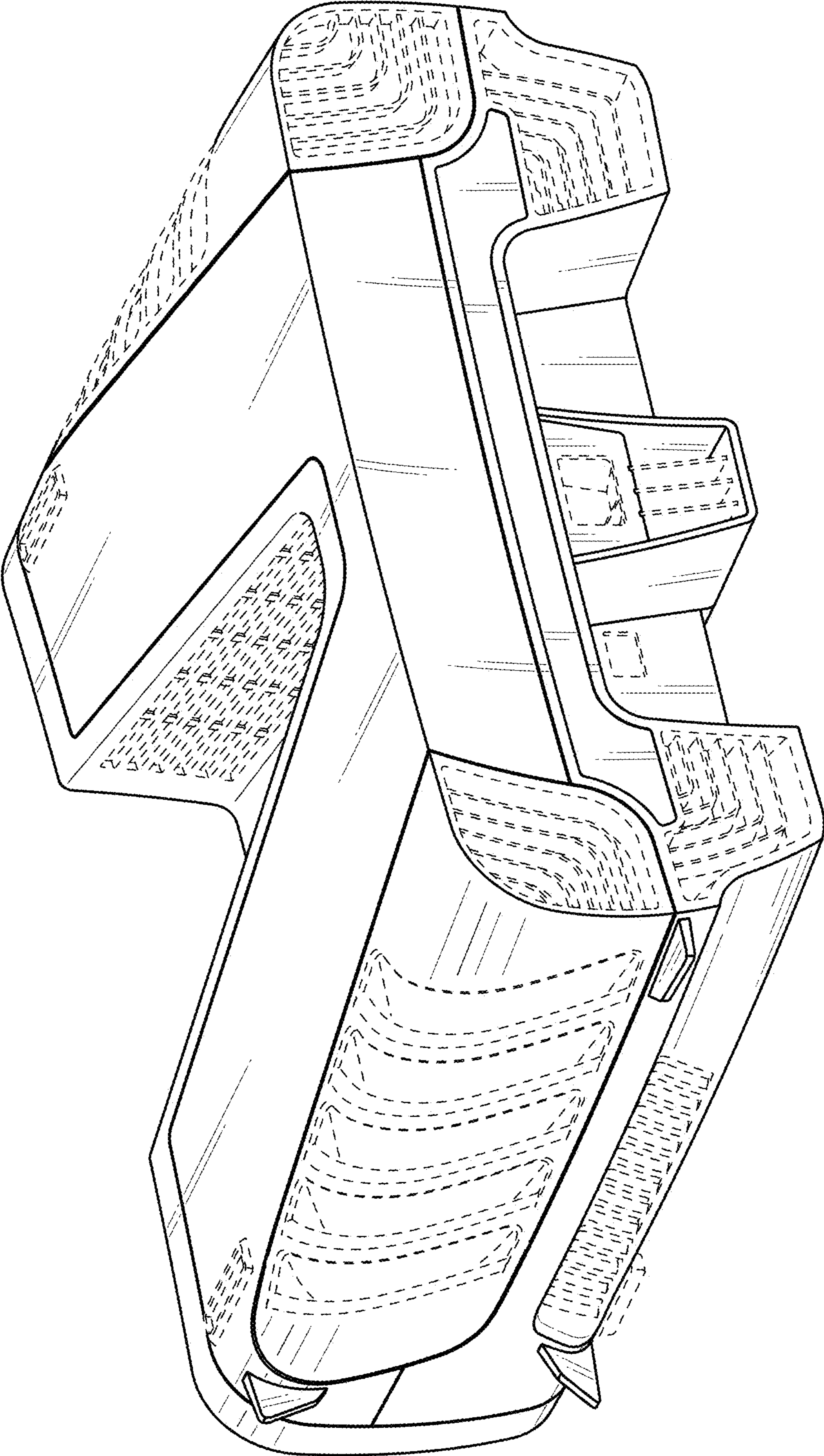


FIG. 2

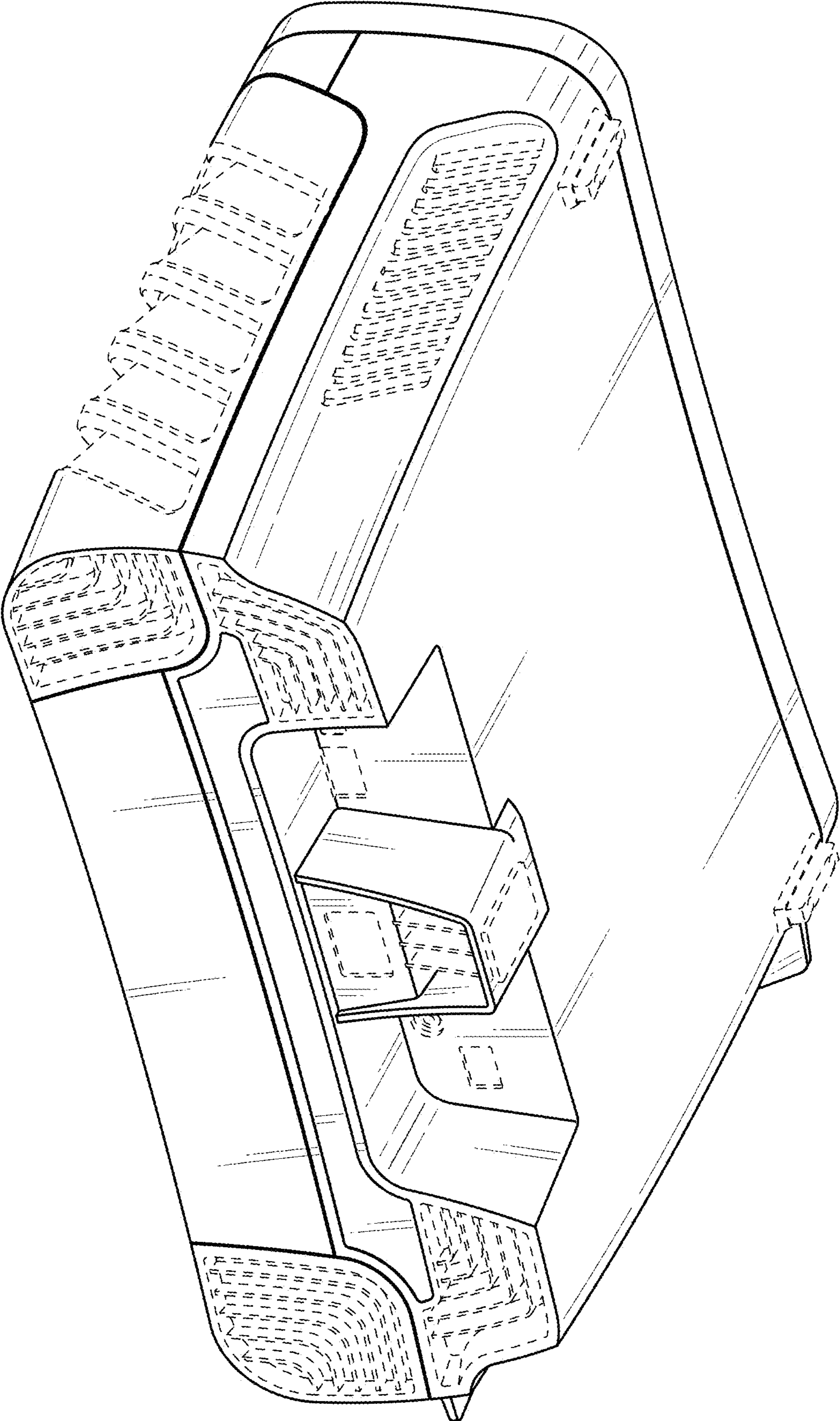


FIG. 3

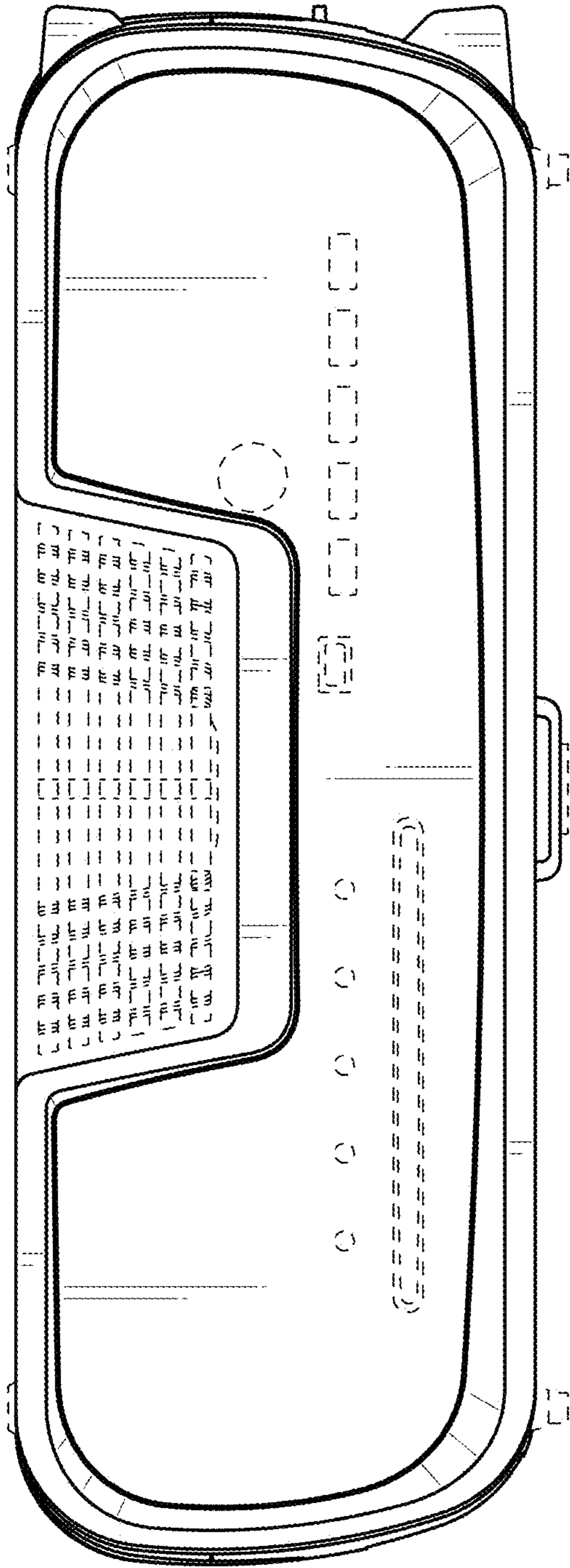


FIG. 4

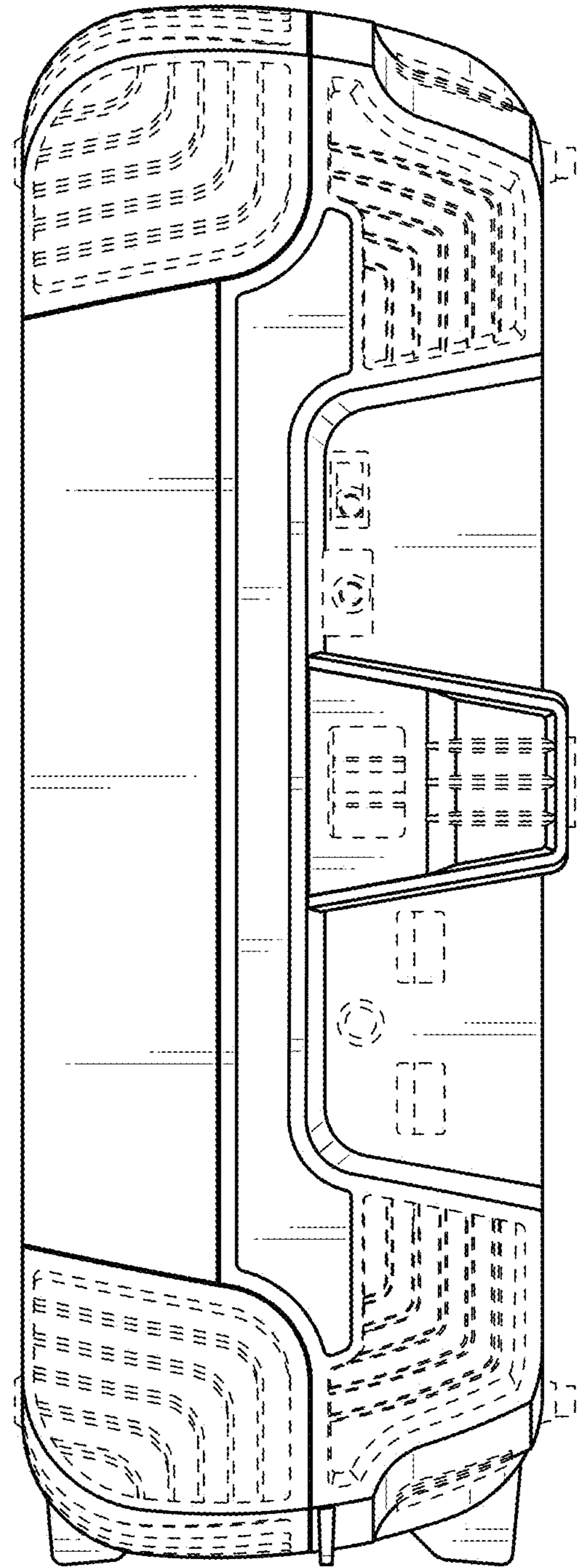


FIG. 5

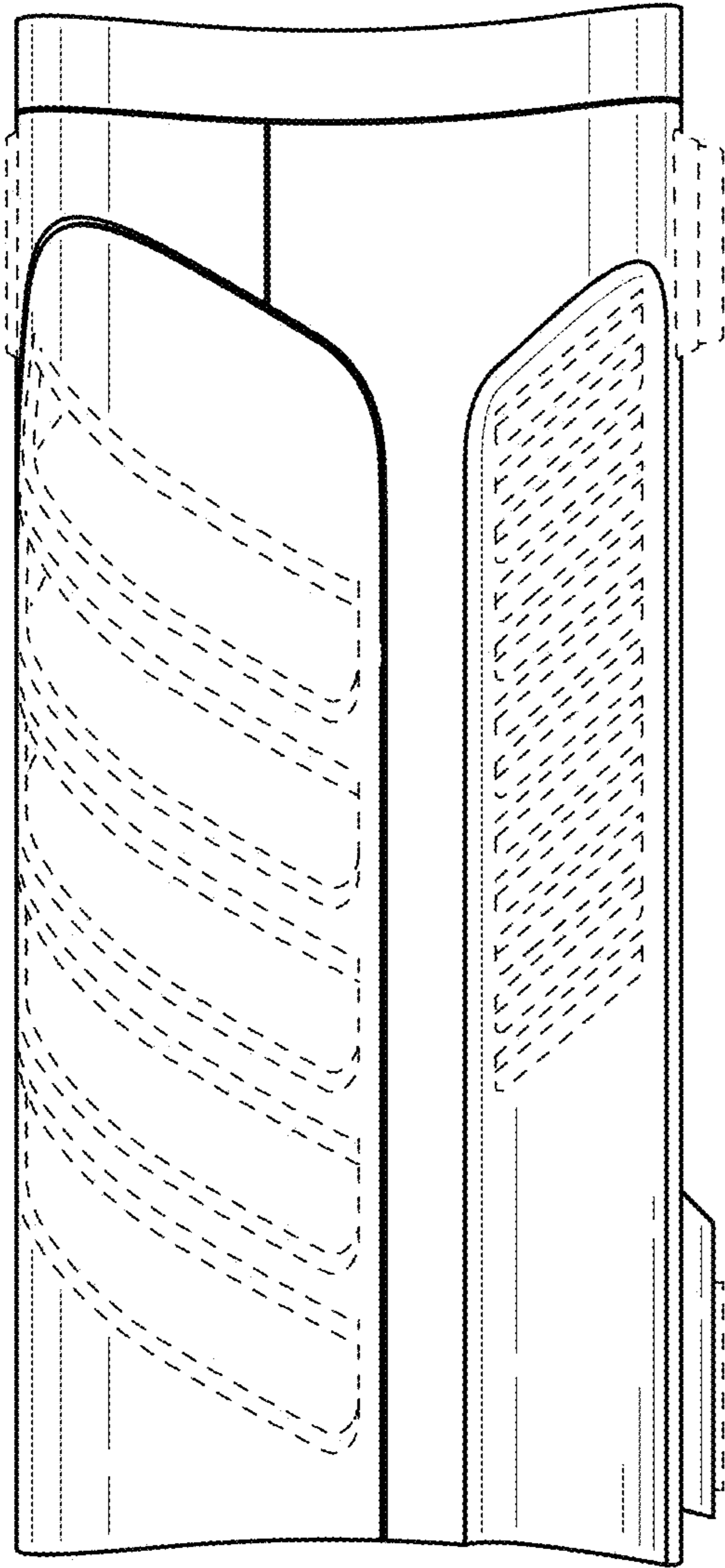


FIG. 6

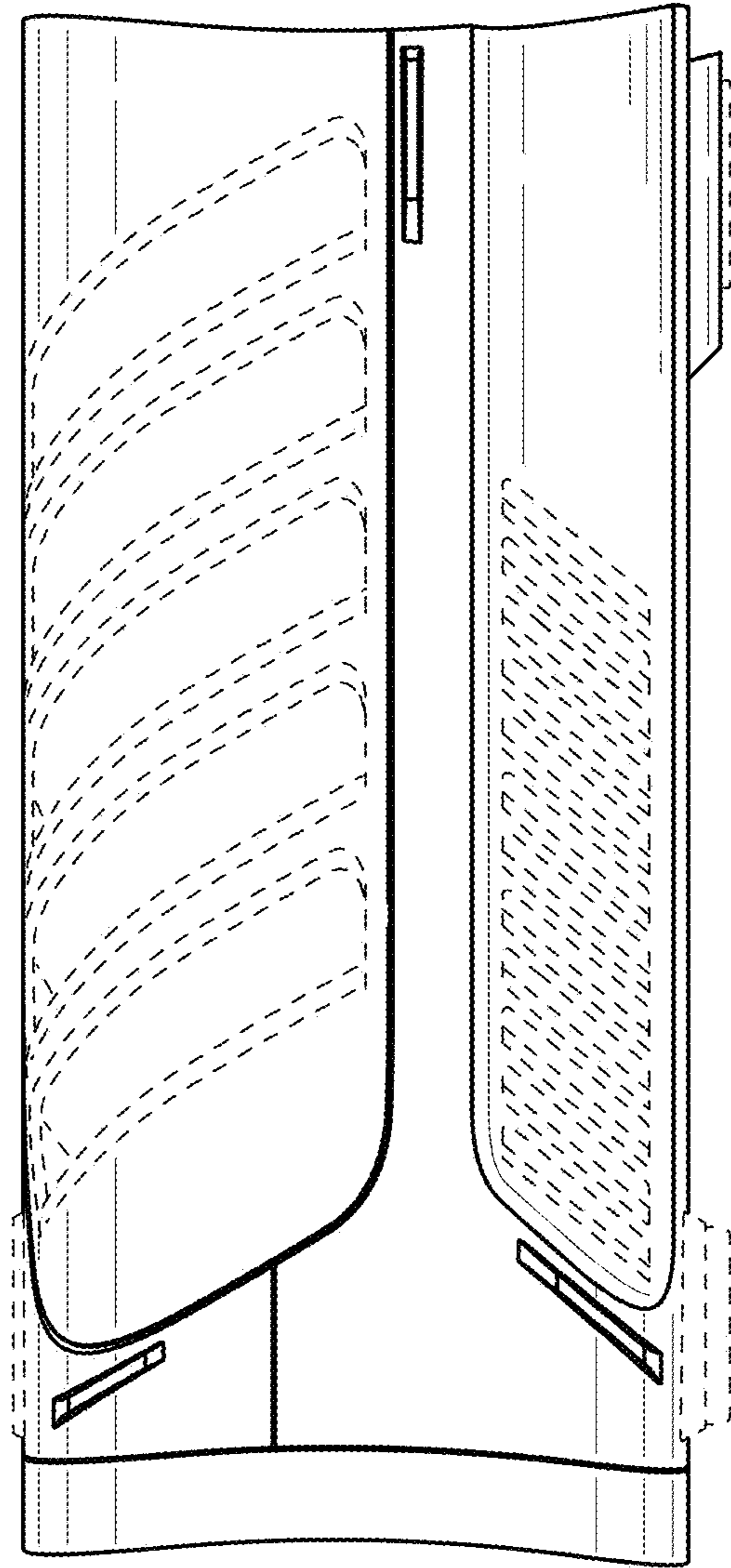


FIG. 7

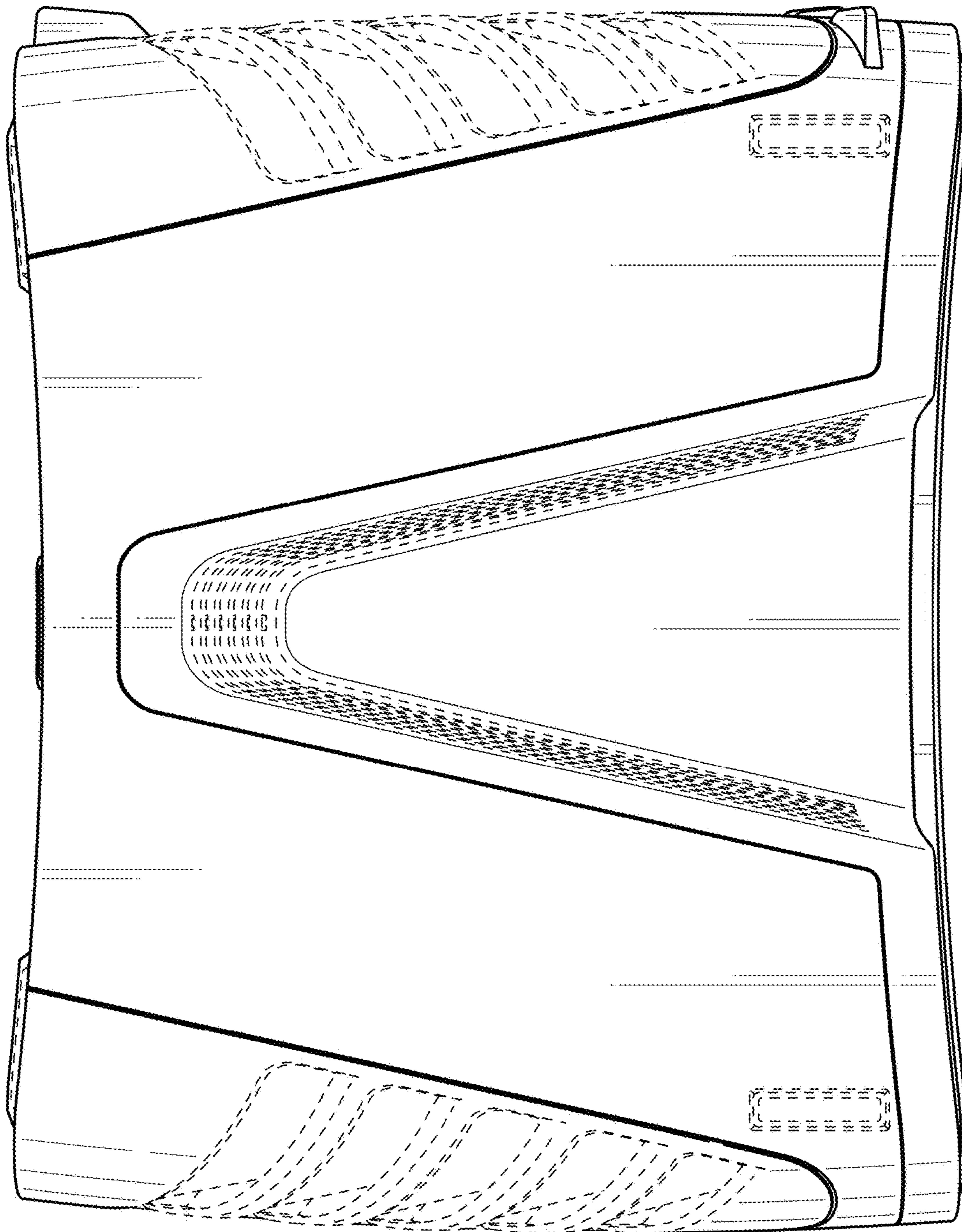


FIG. 8

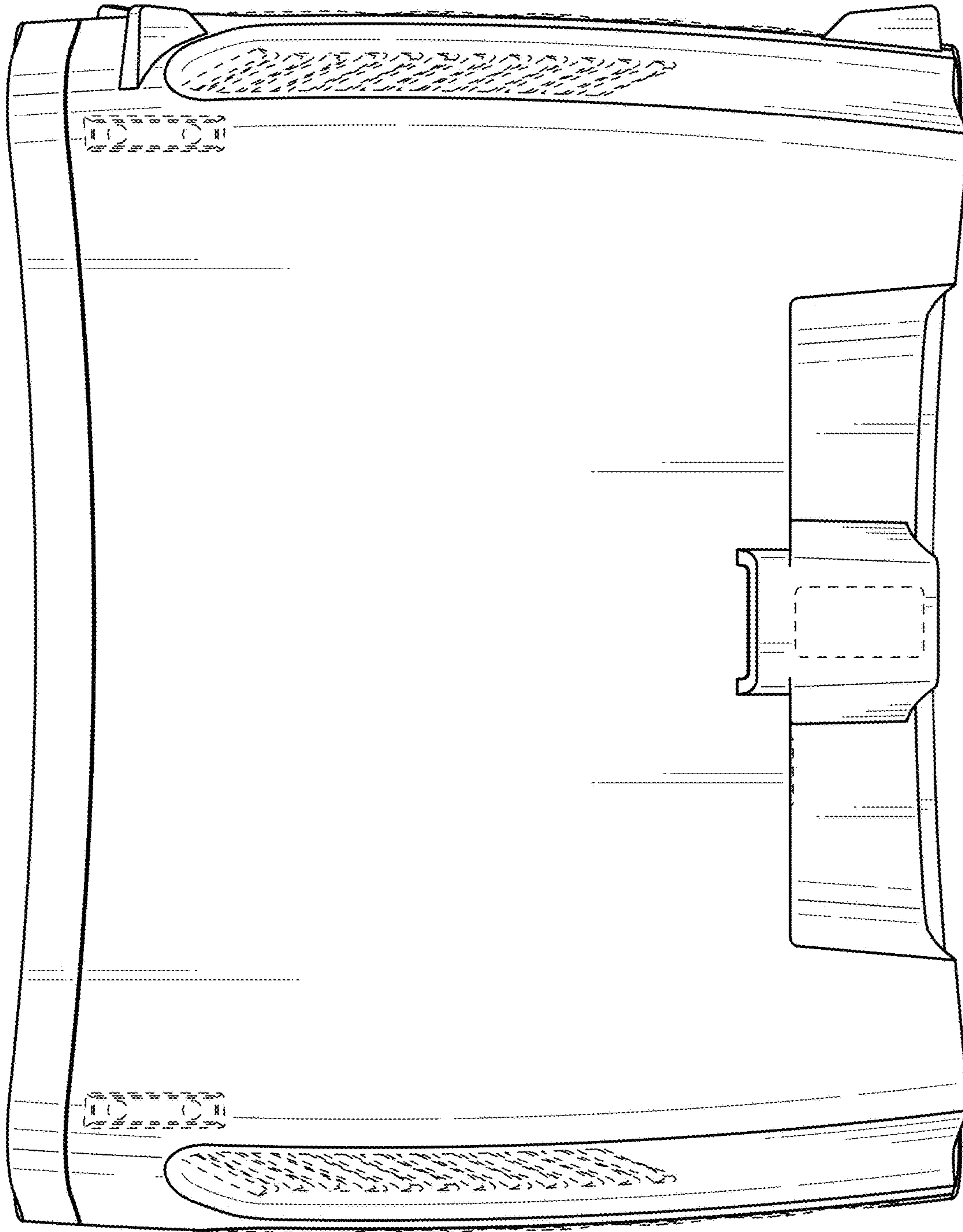


FIG. 9