



US00D914013S

(12) **United States Design Patent**
Jin et al.

(10) **Patent No.:** **US D914,013 S**
(45) **Date of Patent:** **** Mar. 23, 2021**

(54) **PORTABLE COMPUTER**

(71) Applicant: **Samsung Electronics Co., Ltd.**,
Suwon-si (KR)

(72) Inventors: **Junho Jin**, Seoul (KR); **Taeho Kim**,
Yongin-si (KR)

(73) Assignee: **SAMSUNG ELECTRONICS CO., LTD.**,
Gyeonggi-Do (KR)

(**) Term: **15 Years**

(21) Appl. No.: **29/644,037**

(22) Filed: **Apr. 13, 2018**

(30) **Foreign Application Priority Data**

Nov. 15, 2017 (WO) DM/099 372

(51) **LOC (13) Cl.** **14-02**

(52) **U.S. Cl.**
USPC **D14/341**

(58) **Field of Classification Search**
USPC D14/315–318, 341–347, 420, 426, 240,
D14/129–130, 496, 137, 138 R, 138 AA,
(Continued)

(56) **References Cited**

U.S. PATENT DOCUMENTS

D707,644 S * 6/2014 Asano D14/138 G
D767,562 S * 9/2016 Jang D14/341
(Continued)

FOREIGN PATENT DOCUMENTS

EM 001341374-0001 8/2012
EM 002452276-0001 5/2014
(Continued)

OTHER PUBLICATIONS

Samsung Galaxy Xcover 4, announced Apr. 2017 [online], [retrieved Nov. 12, 2020]. Available from Internet, URL: <https://www.gsmarena.com/samsung_galaxy_xcover_4-pictures-8577.php> (Year: 2017).*

(Continued)

Primary Examiner — Dana K Weiland

(74) *Attorney, Agent, or Firm* — Cantor Colburn LLP

(57) **CLAIM**

The ornamental design for a portable computer, as shown and described.

DESCRIPTION

FIG. 1 is a front perspective view of a portable computer showing our new design;

FIG. 2 is a front view thereof;

FIG. 3 is a rear view thereof;

FIG. 4 is a left-side view thereof;

FIG. 5 is a right-side view thereof;

FIG. 6 is a top view thereof;

FIG. 7 is a bottom view thereof;

FIG. 8 is a rear perspective view thereof;

FIG. 9 is an enlarged view of the encircled portion in FIG. 3;

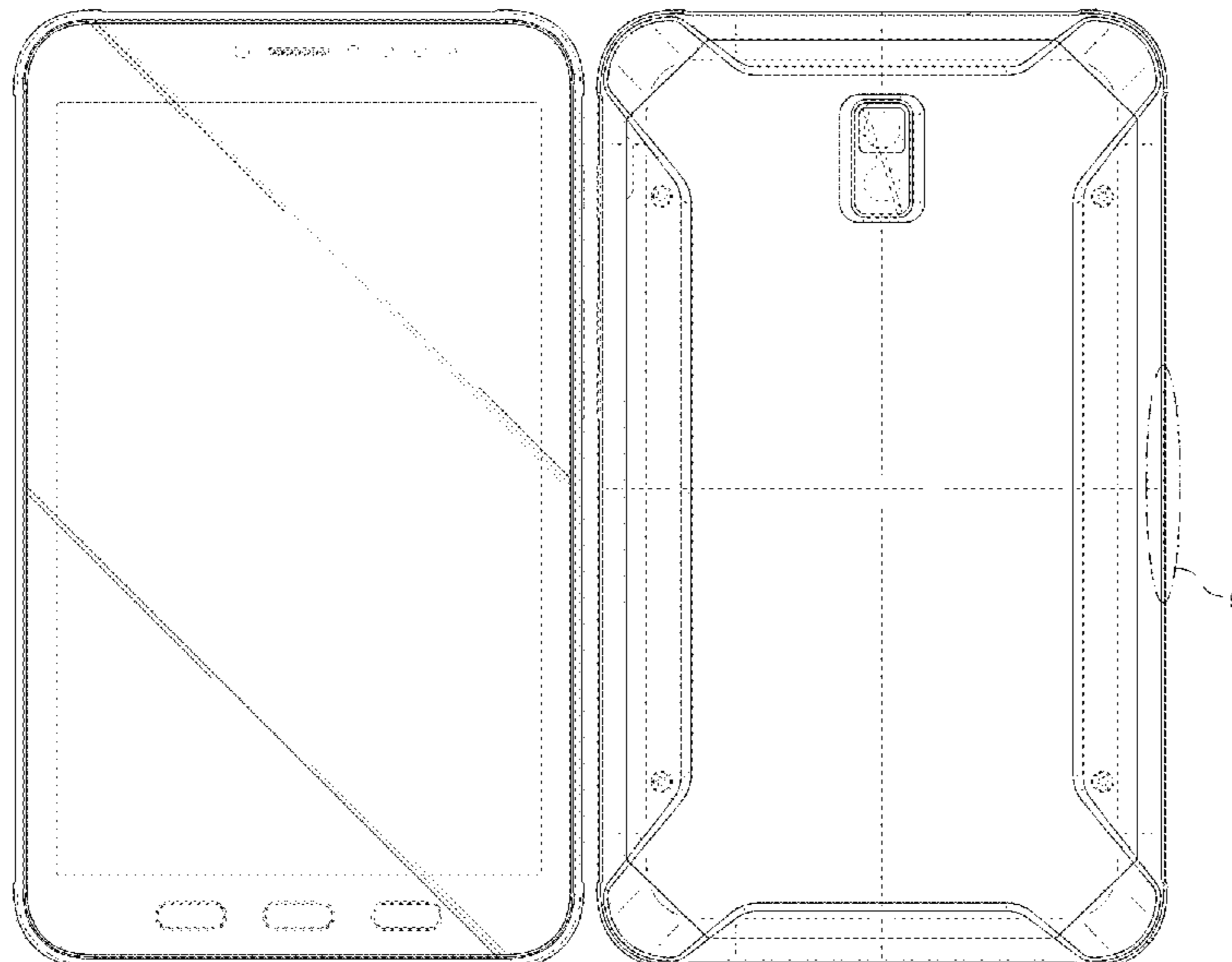
FIG. 10 is an enlarged view of the encircled portion in FIG. 5;

FIG. 11 is an enlarged view of the encircled portion in FIG. 6; and,

FIG. 12 is an enlarged view of the encircled portion in FIG. 7.

The broken lines shown in the drawings depict portions of the portable computer that form no part of the claimed design. The dot-dash broken lines in the drawings encircle portions of the claimed design that are illustrated in enlargements and form no part of the claimed design.

1 Claim, 9 Drawing Sheets



(58) **Field of Classification Search**

USPC D14/138 AB, 138 AC, 138 AD, 138 C,
 D14/138 G, 147, 203.1–203.8, 218, 247,
 D14/371, 248, 388–389, 374, 429, 453;
 D10/104.1, 50, 65; D21/324, 329, 330,
 D21/332
 CPC G06F 1/1626; G06F 1/1613; G06F 3/0488;
 G06F 3/04886; G06F 3/041; G06F
 3/0412; G06F 3/0416; H04M 1/725;
 H04M 1/0202; H04M 1/0266
 See application file for complete search history.

(56) **References Cited**

U.S. PATENT DOCUMENTS

D770,408 S *	11/2016	Lee	D14/138 G
D783,558 S *	4/2017	Lee	D14/138 G
D785,612 S *	5/2017	Kim	D14/248
D788,056 S *	5/2017	Choi	D14/138 AA
D788,093 S *	5/2017	Lee	D14/250
D788,736 S *	6/2017	Kim	D14/138 G
D844,580 S *	4/2019	Park	D14/138 G
D850,457 S *	6/2019	Jin	G06F 1/1626 D14/440
D877,109 S *	3/2020	Kim	D14/138 G
2017/0283138 A1 *	10/2017	Mori	E05F 1/00

FOREIGN PATENT DOCUMENTS

EM	003237643-0001	11/2016
WO	D099372-001	* 5/2018

OTHER PUBLICATIONS

Samsung Galaxy Xcover 3, announced Apr. 2015 [online], [retrieved Nov. 12, 2020]. Available from Internet, URL: <https://www.gsmarena.com/samsung_galaxy_xcover_3-pictures-6990.php> (Year: 2015).*

Samsung Galaxy Xcover Pro, announced Jan. 2020 [online], [retrieved Nov. 12, 2020]. Available from Internet, URL: <https://www.gsmarena.com/samsung_galaxy_xcover_pro-pictures-10001.php> (Year: 2020).*

Phone Arena, [online]; [retrieved on Jul. 9, 2018]; retrieved from the Internet https://www.phonearena.com/news/BLU-Tank-Xtreme-Pro-ultra-rugged-smartphone-quietly-introduced-in-the-US_id96099 Cosmin Vasile, “BLU Tank Xtreme Pro Ultra-rugged smartphone quietly introduced in the US,” Phone Arena, Jul. 17, 2017, pp. 1-4.

Teguar, [online]; [retrieved on Jul. 9, 2018]; retrieved from the Internet <https://teguar.com/12-inch-rugged-tablet-trt-4380-12.html> Teguar, “12” Rugged Tablet, TRT-4380-12,” Teguar Computers, 2018, pp. 1-7.

* cited by examiner

FIG. 1

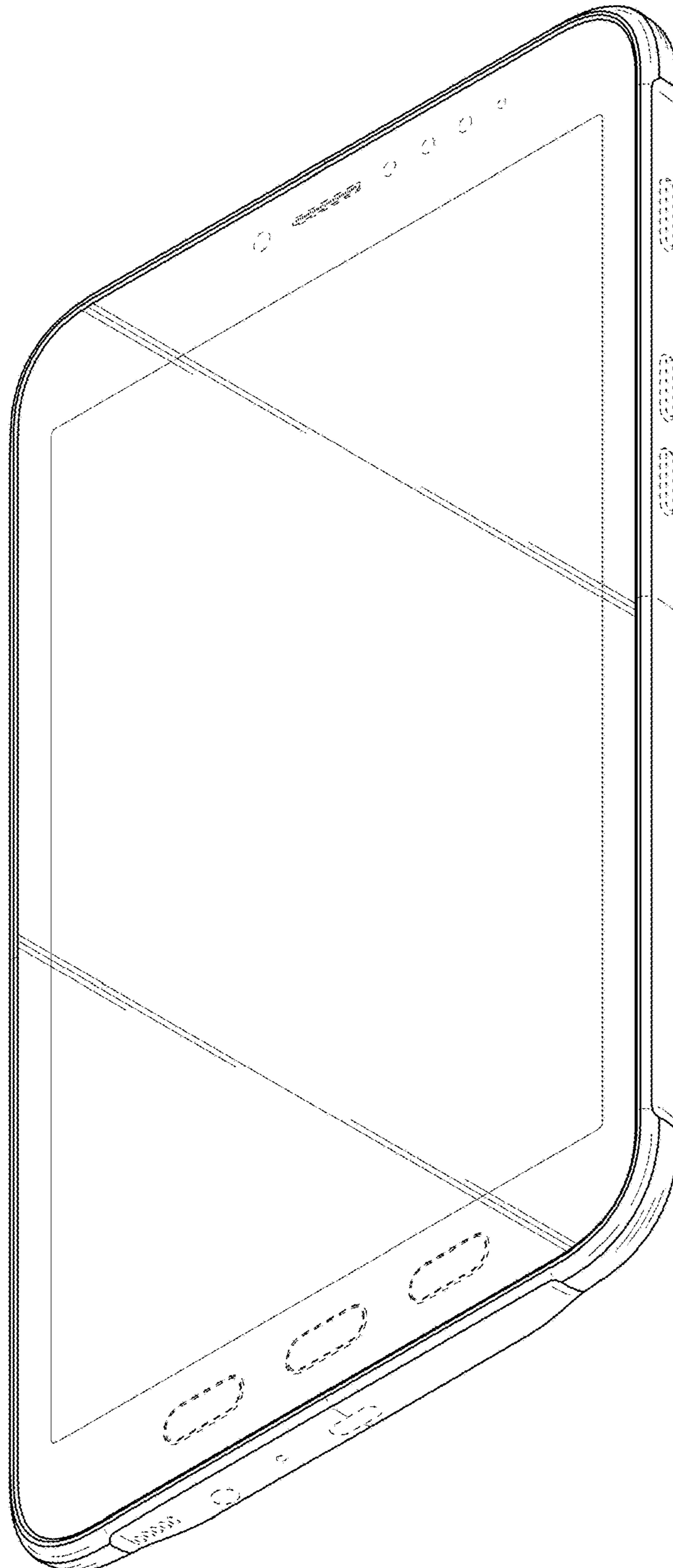


FIG.2

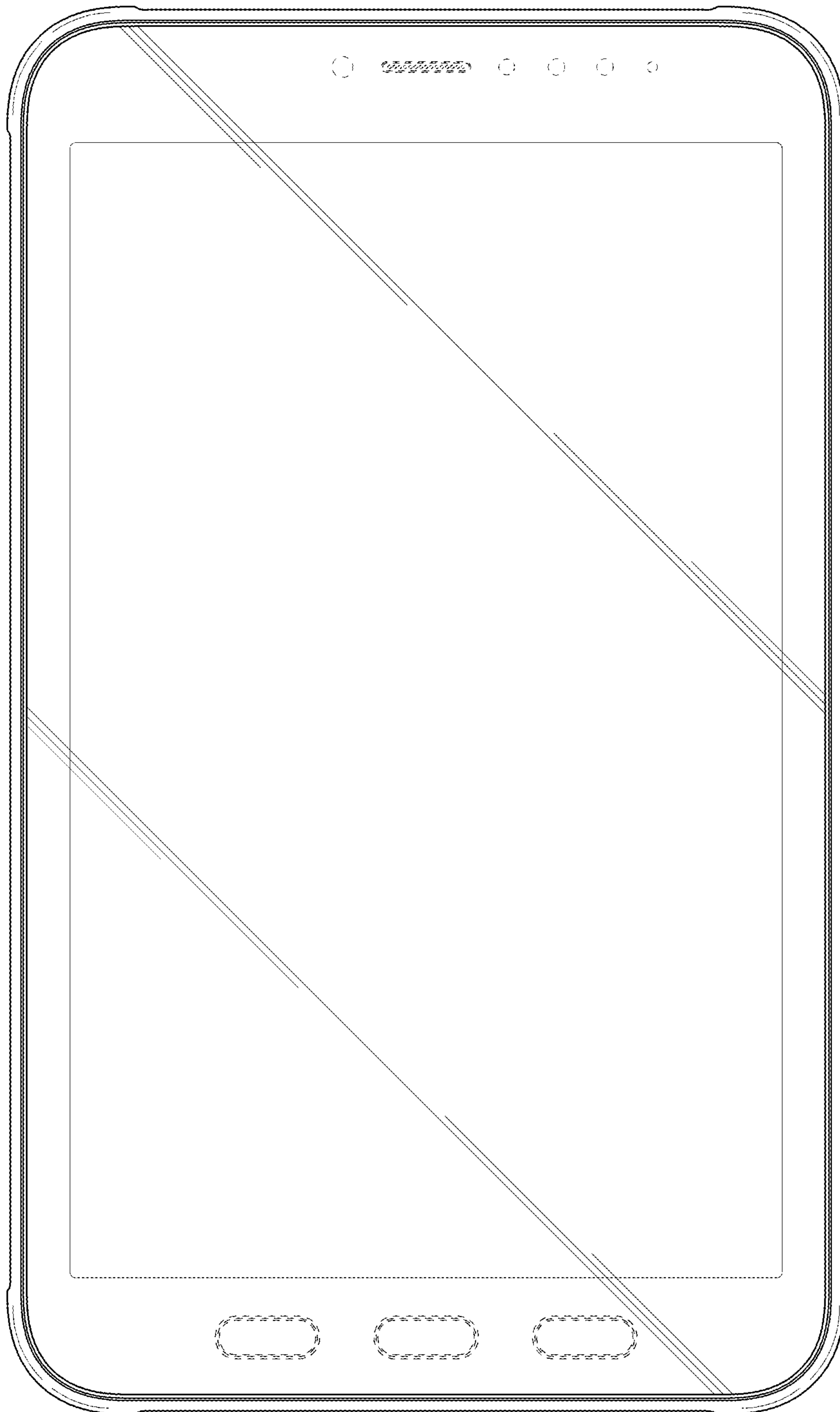


FIG.3

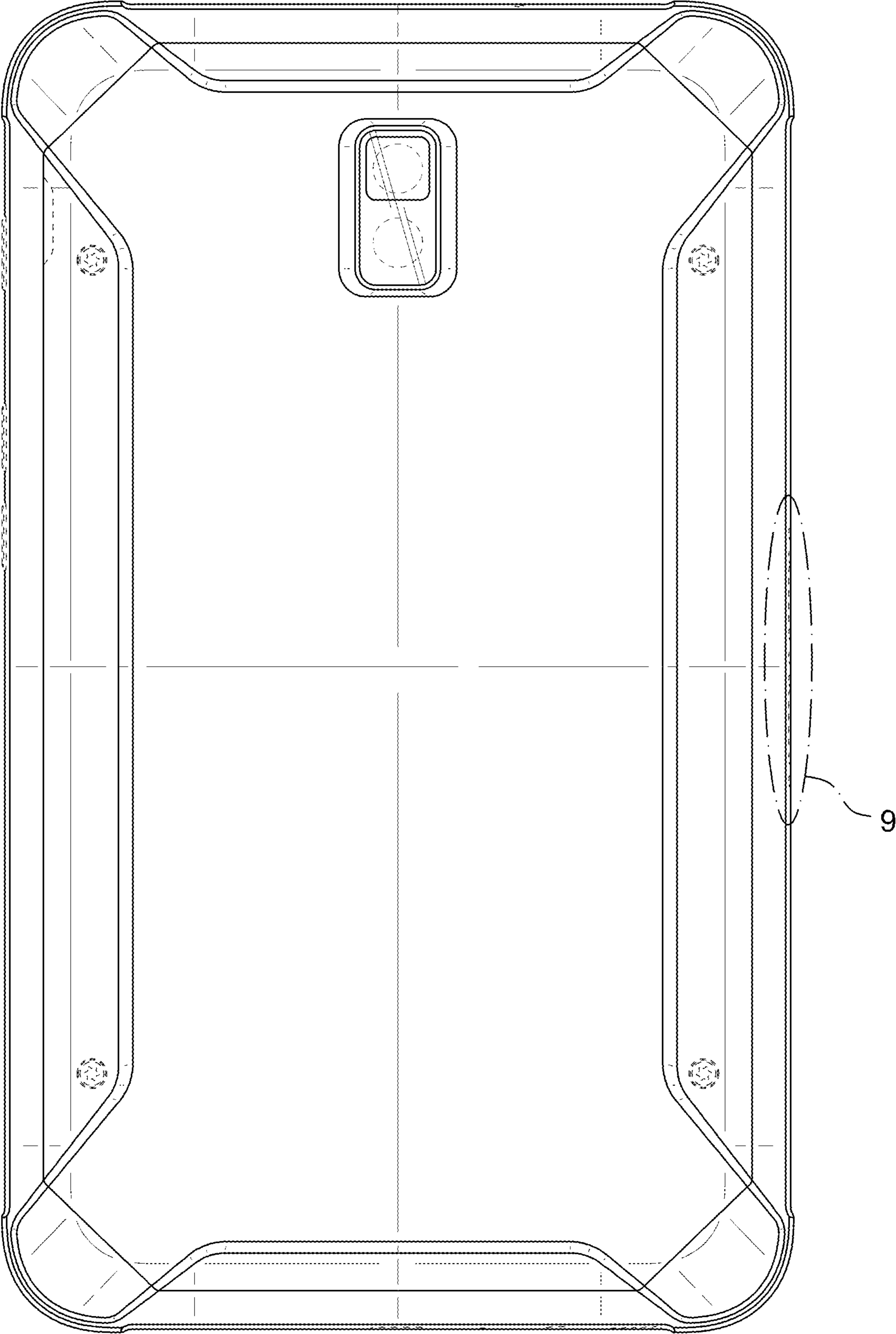


FIG.4

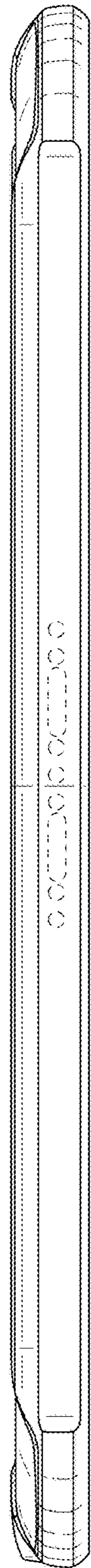


FIG.5

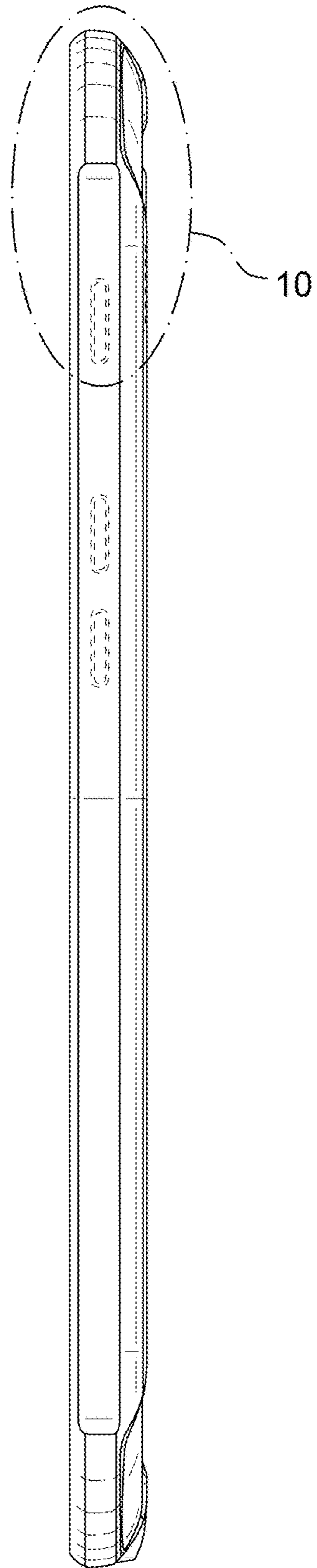


FIG.6

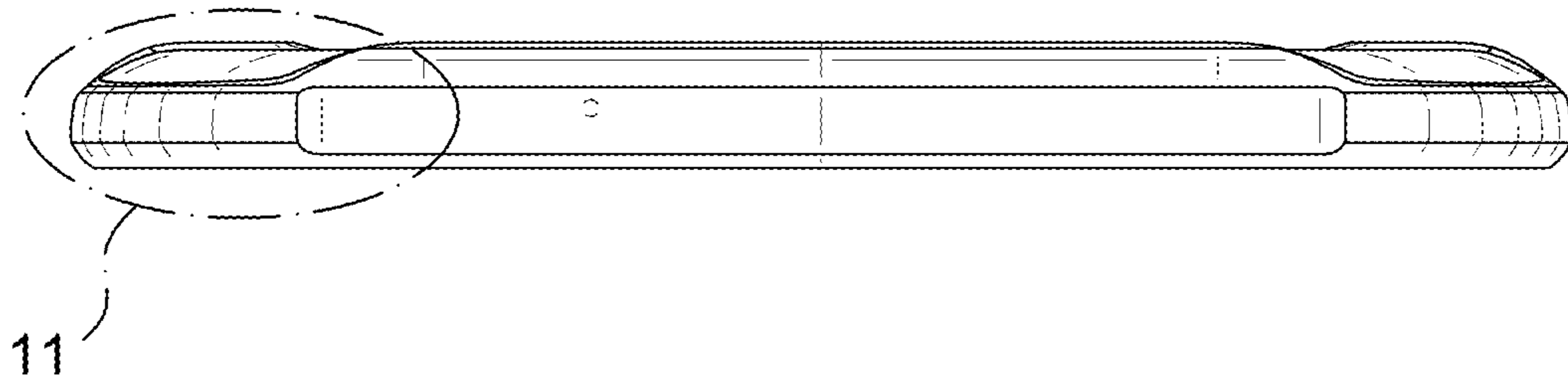


FIG.7

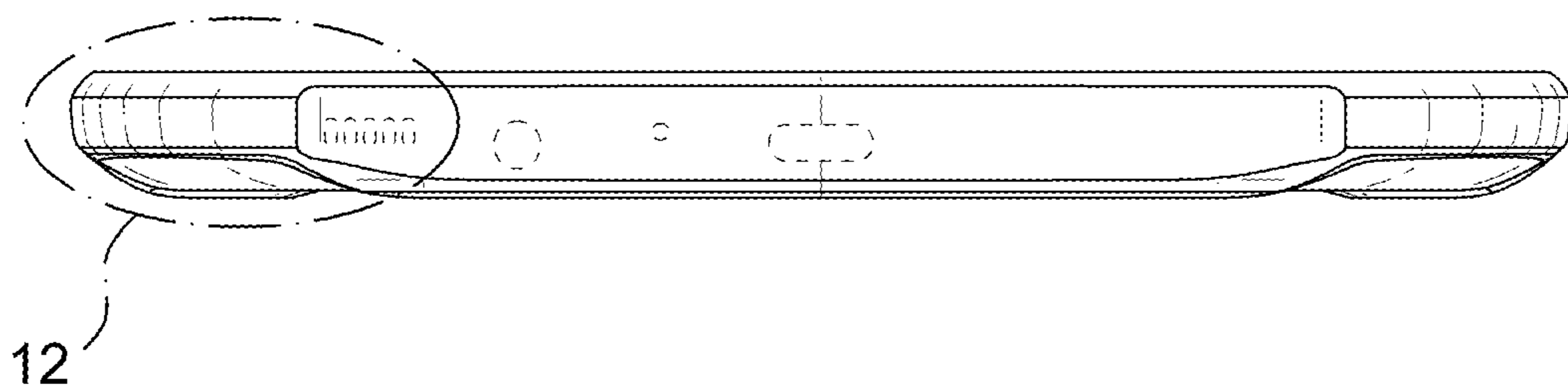


FIG.8

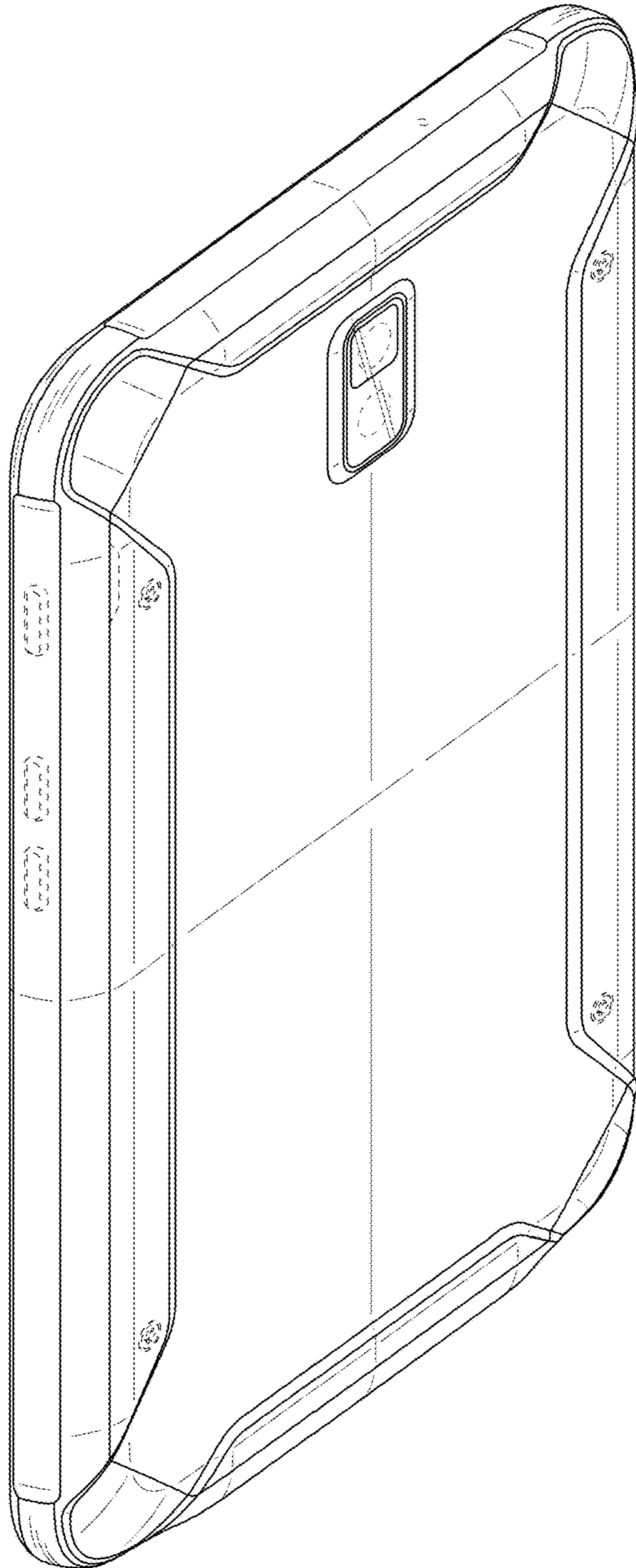


FIG.9

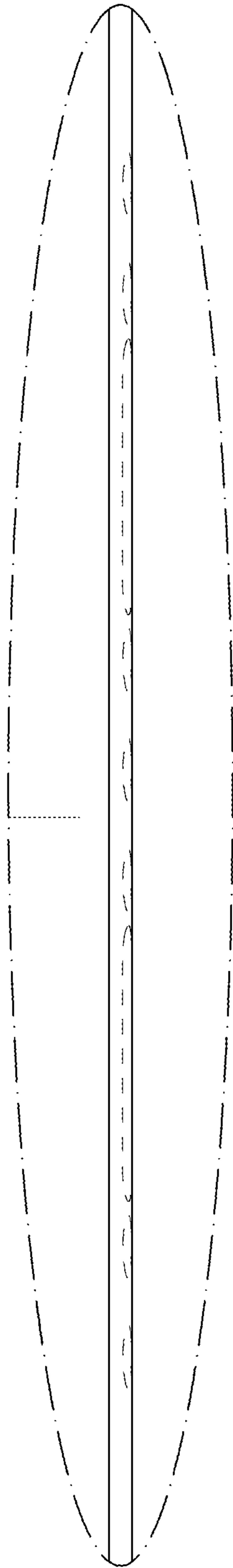


FIG. 10

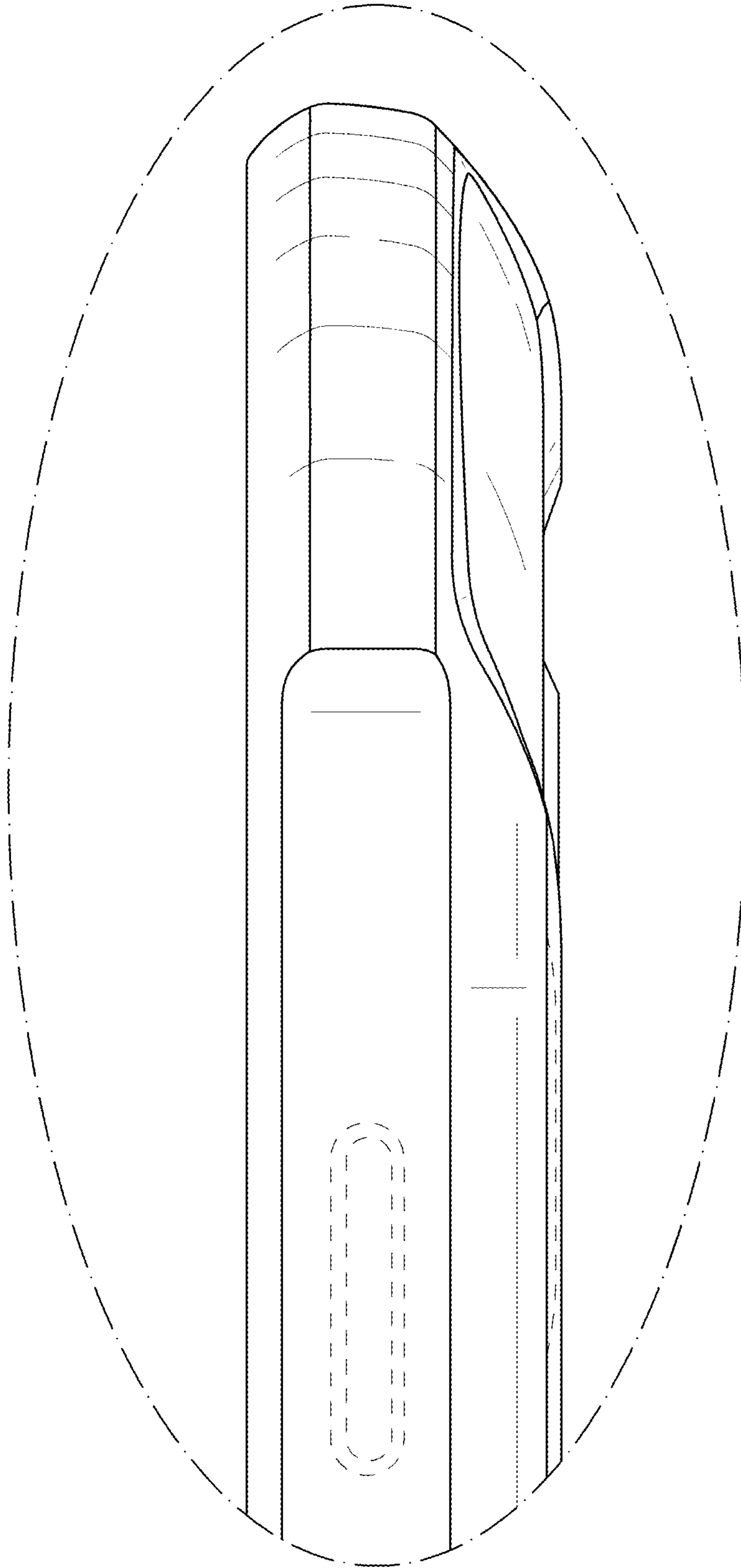


FIG.11

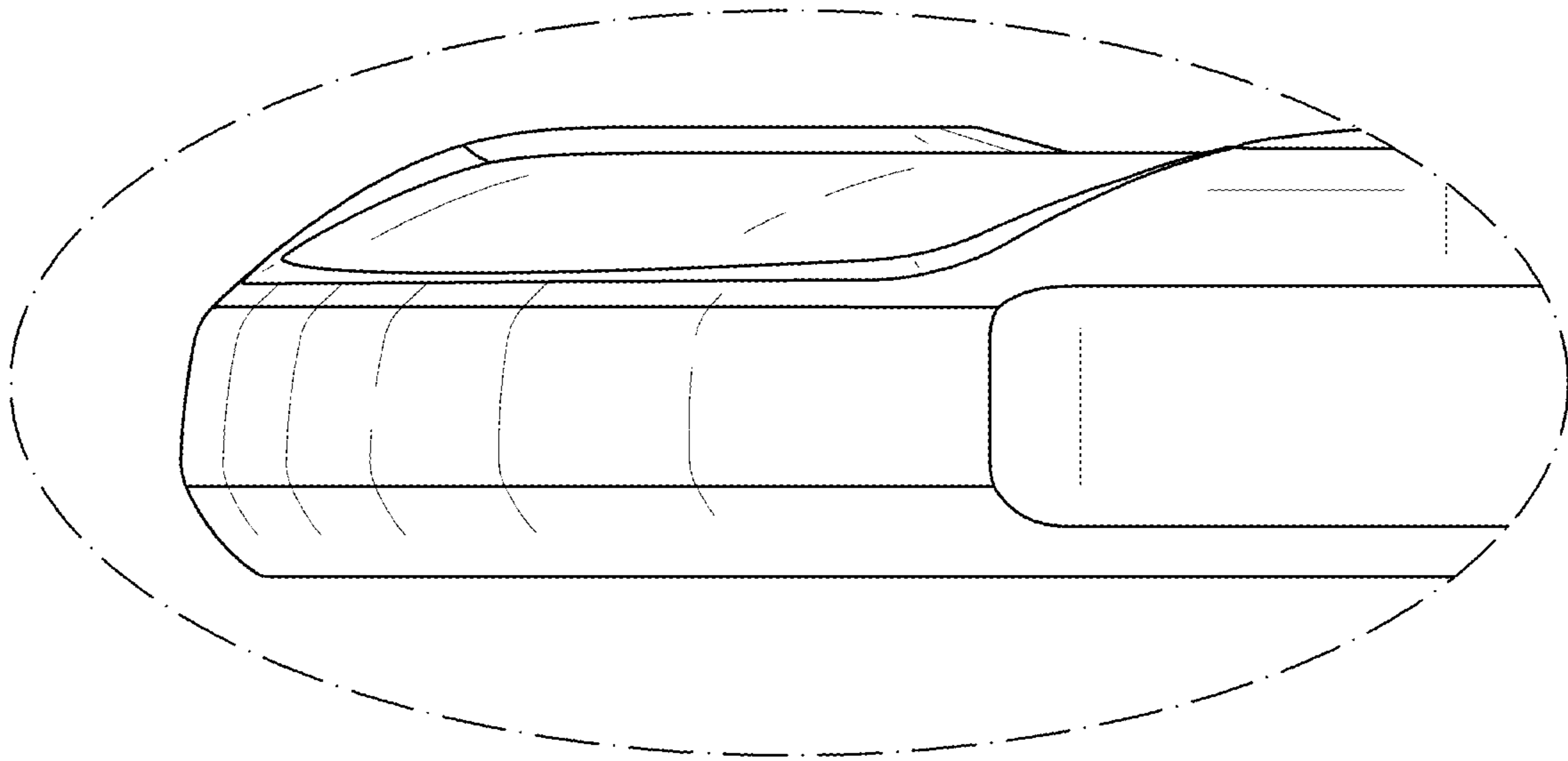


FIG.12

