



US00D914011S

(12) **United States Design Patent** (10) **Patent No.:** **US D914,011 S**
Liu et al. (45) **Date of Patent:** **** Mar. 23, 2021**

(54) **LAPTOP COMPUTER**

(71) Applicant: **Lenovo (Beijing) Co., Ltd.**, Beijing (CN)

(72) Inventors: **Ruyuan Liu**, Beijing (CN); **Ning Wang**, Beijing (CN)

(73) Assignee: **Lenovo (Beijing) Co., Ltd.**, Beijing (CN)

(**) Term: **15 Years**

(21) Appl. No.: **29/669,617**

(22) Filed: **Nov. 9, 2018**

(30) **Foreign Application Priority Data**

May 11, 2018 (CN) 201830214473.0

May 11, 2018 (CN) 201830214868.0

(51) **LOC (13) Cl.** **14-02**

(52) **U.S. Cl.**
USPC **D14/324**; D14/327

(58) **Field of Classification Search**
USPC D14/315–327, 331, 334–336, 339–340,
D14/371, 373–374; D18/1–2, 7, 11,
D18/12.2–12.3

CPC G06F 1/1618; G06F 1/166; G06F 1/1613;
G06F 1/1616; G06F 1/162; G06F 1/1622;
G06F 1/1624; G06F 1/1633; G06F
1/1615; G06F 1/1654; G06F 1/1656;
G06F 1/1669; G06F 1/203; G06F 1/1688;
G06F 1/1601; G06F 1/1637; G06F 1/181;
G06F 1/1647; G06F 1/1649; G06F 1/165;
G06F 1/1662; G06F 1/1671; G06F
1/1643; G06F 1/169; G06F 1/1692; H05K
5/0047; H05K 5/0052

See application file for complete search history.

(56) **References Cited**

U.S. PATENT DOCUMENTS

4,959,887 A * 10/1990 Gruenberg G06F 1/1616
16/223
D614,616 S * 4/2010 Denhez D14/315
D636,388 S * 4/2011 Kawase D14/315
D649,542 S * 11/2011 Yoon D14/315
D659,134 S * 5/2012 Ahn D14/318
D683,727 S * 6/2013 Xia D14/315
D686,203 S * 7/2013 Lee D14/315
D720,743 S * 1/2015 Leonard D14/316

(Continued)

OTHER PUBLICATIONS

De Leon, Nicholas, Best Lenovo Laptop Deals for Black Friday and Cyber Monday, posted at Consumer Reports, posting date Oct. 30, 2019. Site visited Aug. 8, 2020. URL: <https://www.consumerreports.org/laptop-computers/best-lenovo-laptop-deals-for-black-friday-cyber-monday/> (Year: 2019).*

(Continued)

Primary Examiner — Kathleen L Jones

(74) *Attorney, Agent, or Firm* — Oppedahl Patent Law Firm LLC

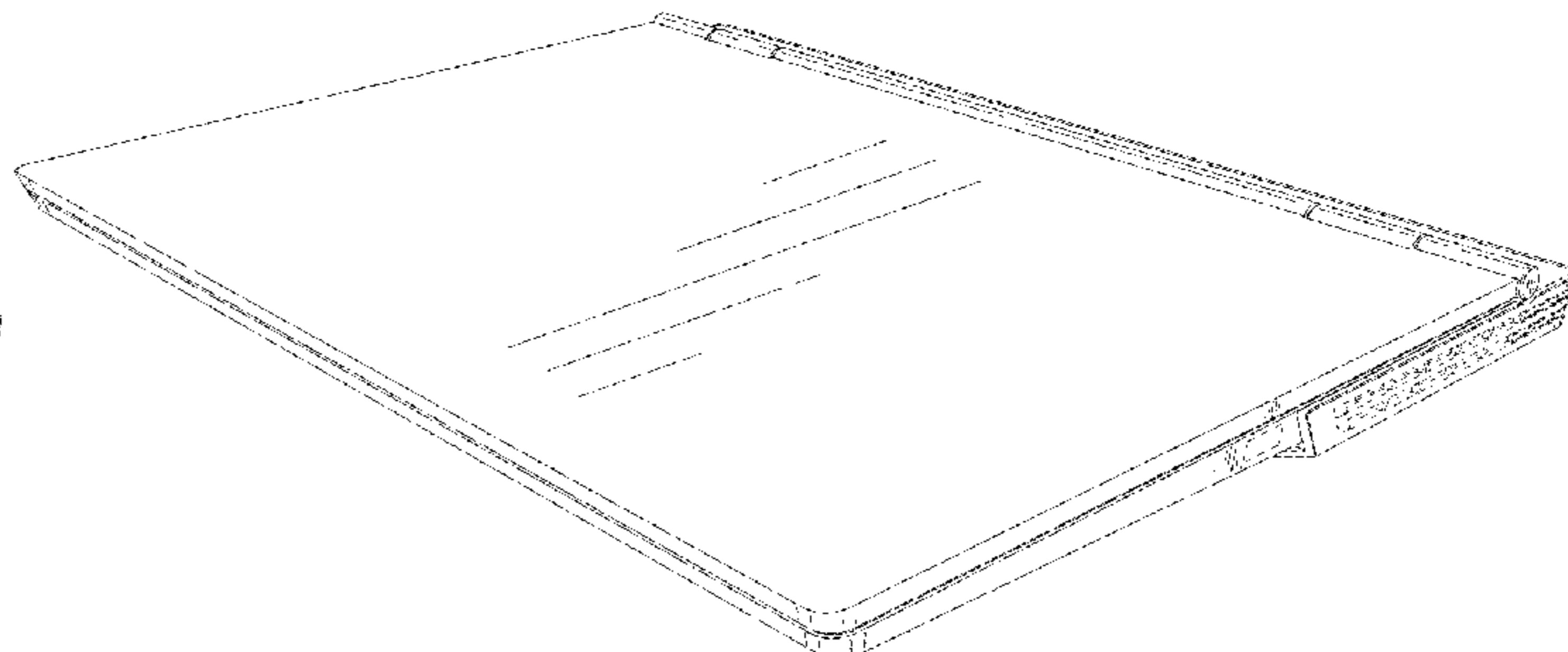
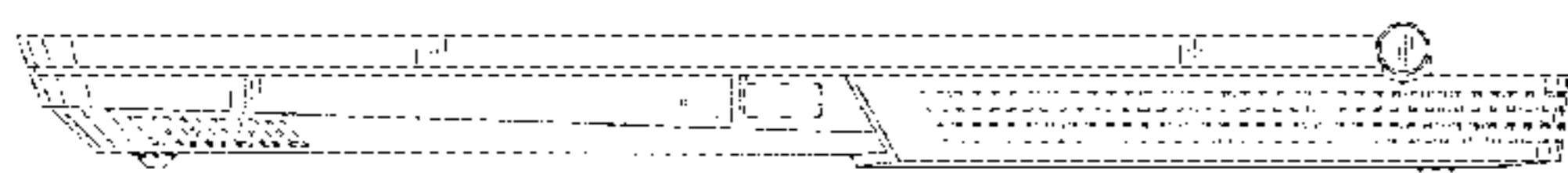
(57) **CLAIM**

The ornamental design for a laptop computer, as shown and described.

DESCRIPTION

FIG. 1 is a front view of a laptop computer showing our new design;
FIG. 2 is a back view thereof;
FIG. 3 is a left side view thereof;
FIG. 4 is a right side view thereof;
FIG. 5 is a top view thereof;
FIG. 6 is a bottom view thereof; and,
FIG. 7 is a perspective view thereof.
The broken lines shown in the drawings illustrate portions of the laptop computer that form no part of the claimed design.

1 Claim, 7 Drawing Sheets



(56)

References Cited

U.S. PATENT DOCUMENTS

D732,523	S	*	6/2015	Riddiford	D14/315
D735,187	S	*	7/2015	Hsu	D14/315
D794,010	S	*	8/2017	Smith	D14/315
D804,466	S	*	12/2017	Okuley	D14/315
D804,467	S	*	12/2017	Probst	D14/315
D813,861	S	*	3/2018	Goh	D14/315
D835,095	S	*	12/2018	Goh	D14/315
D877,734	S	*	3/2020	Cha	D14/327
D881,873	S	*	4/2020	Li	D14/316
D890,166	S	*	7/2020	Jung	D14/315
D890,746	S	*	7/2020	Moon	D14/315
D890,749	S	*	7/2020	Draca	D14/327
D894,178	S	*	8/2020	Dieterle	D14/315
2005/0083644	A1	*	4/2005	Song	G06F 1/1637 361/679.06
2009/0303680	A1	*	12/2009	Mihara	G06F 1/20 361/679.55

OTHER PUBLICATIONS

Top 20 Best Selling Quad Core / Gaming Laptops 2018. Posted at Reinis Fischer, posting date May 1, 2018. Site visited Aug. 7, 2020 . URL: <<https://www.reinisfischer.com/top-20-best-selling-quad-core-gaming-laptops-2018>> (Year: 2018).*

Peters, Jared, Google possibly developing touchscreen laptops running Chrome OS, posted at TalkAndroid, posting date Feb. 20, 2013. Site visited Aug. 7, 2020. URL: <<https://www.talkandroid.com/151458-google-possibly-developing-touchscreen-laptops-running-chrome-os/>> (Year: 2013).*

* cited by examiner

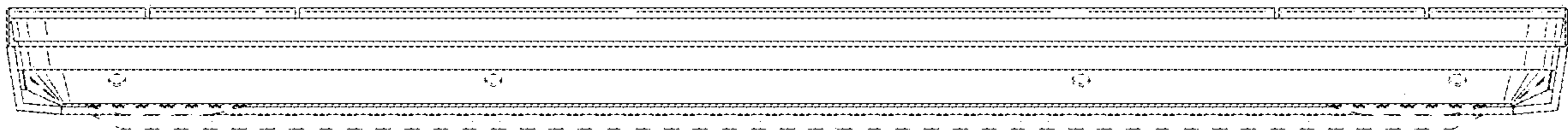


FIG. 1

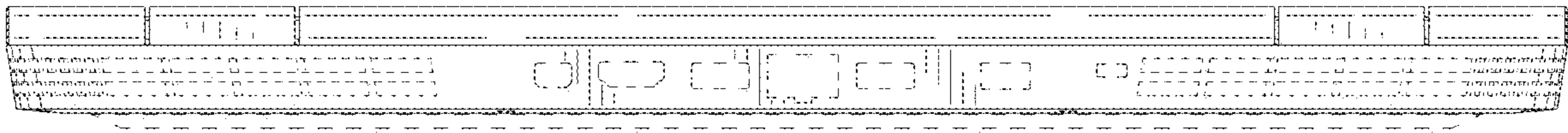


FIG. 2

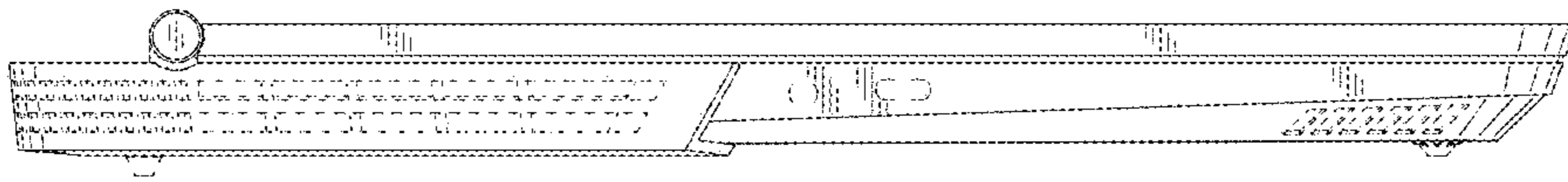


FIG. 3

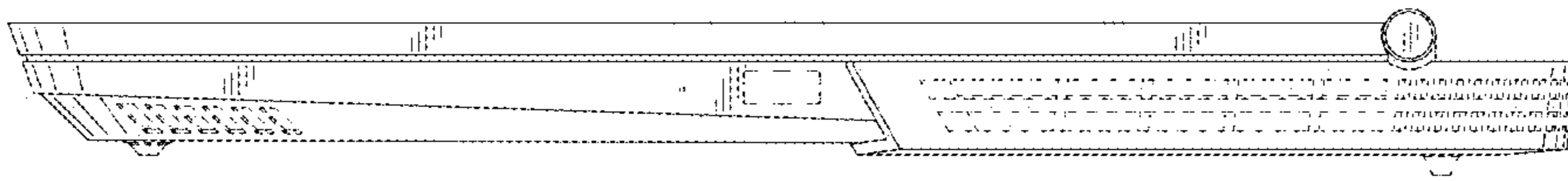


FIG. 4

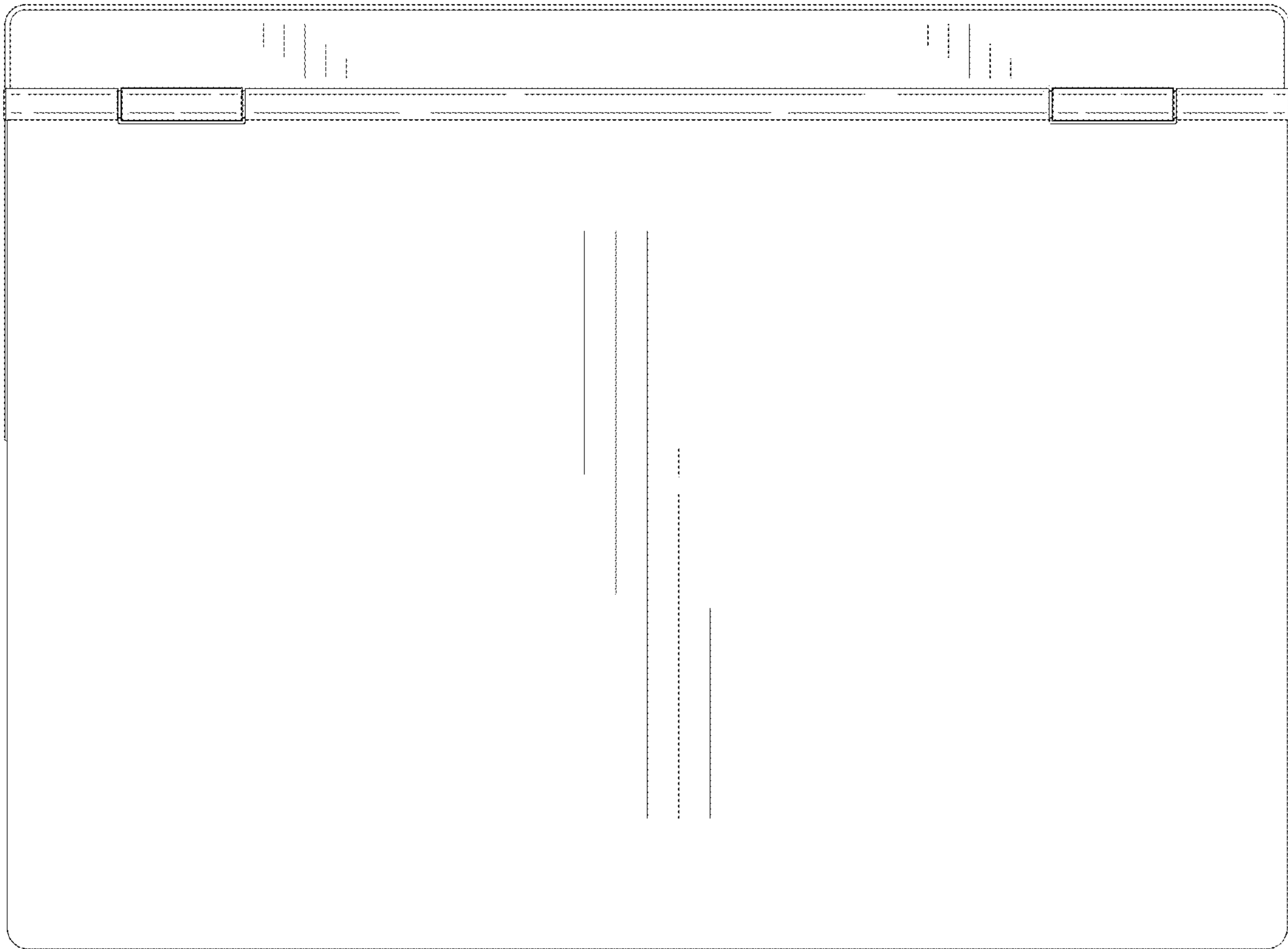


FIG. 5

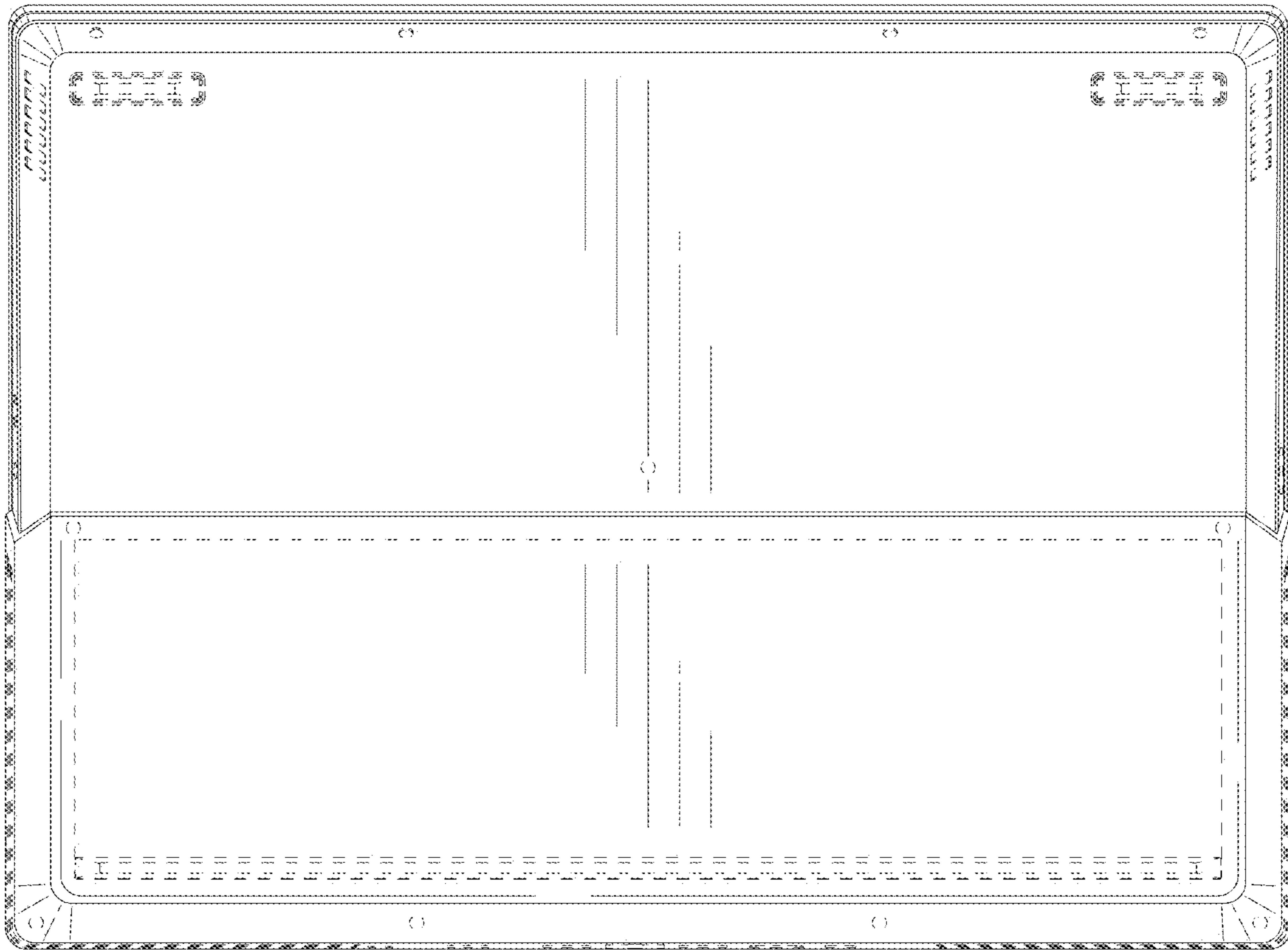


FIG. 6

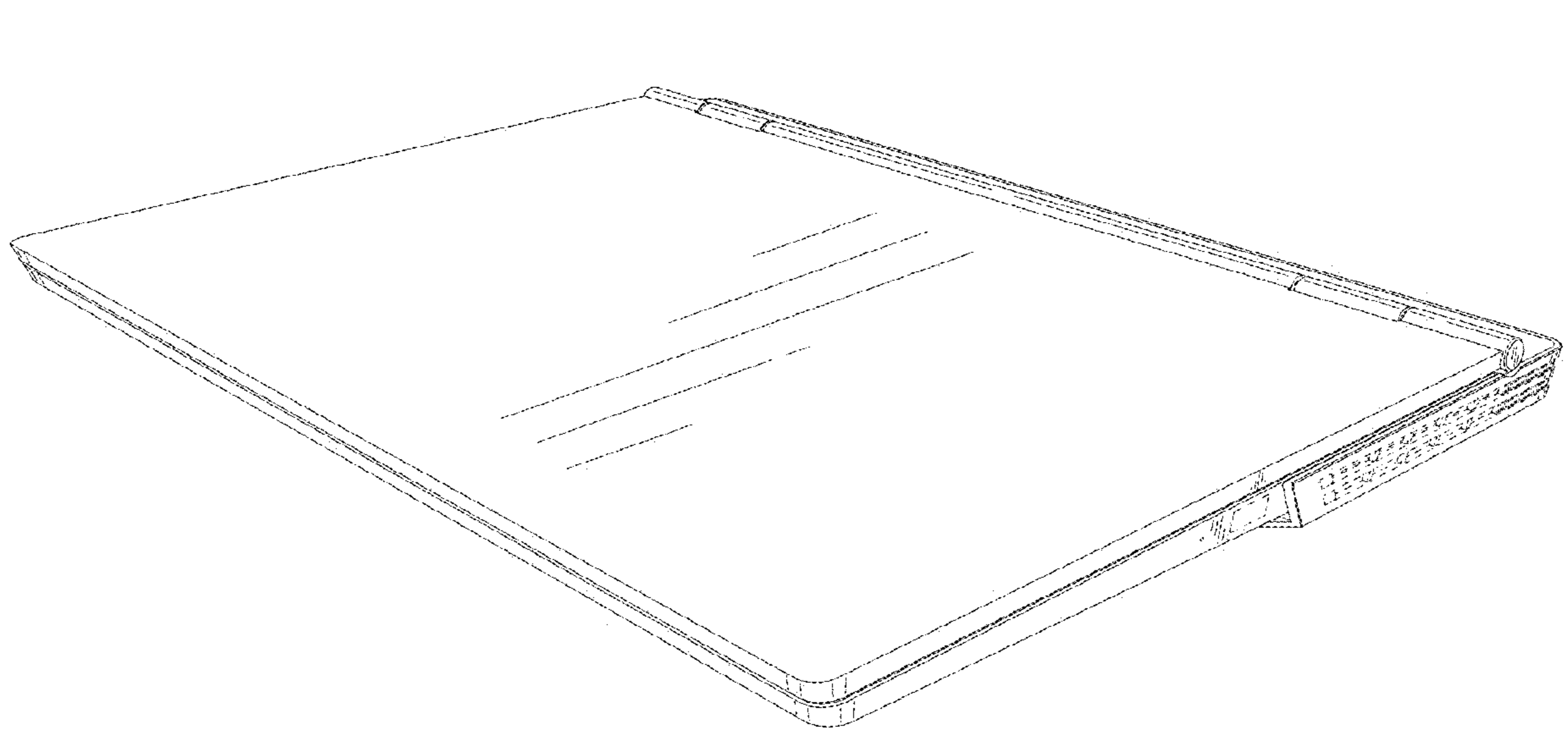


FIG. 7