



US00D914007S

(12) **United States Design Patent** (10) **Patent No.:** **US D914,007 S**
Yoon (45) **Date of Patent:** **** Mar. 23, 2021**

(54) **CASE FOR ELECTRONIC COMMUNICATIONS DEVICE**

(71) Applicant: **SPIGEN KOREA CO., LTD.**, Seoul (KR)

(72) Inventor: **Tae Sung Yoon**, Seoul (KR)

(73) Assignee: **SPIGEN KOREA CO., LTD.**, Seoul (KR)

(**) Term: **15 Years**

(21) Appl. No.: **29/732,919**

(22) Filed: **Apr. 28, 2020**

(51) **LOC (13) Cl.** **14-03**

(52) **U.S. Cl.**
 USPC **D14/250**

(58) **Field of Classification Search**
 USPC D14/203.3–203.7, 439, 251–253, 447, D14/217, 240, 238.1, 440, 250, 248; D13/107–108, 103, 119; D3/201, 218, D3/247, 249, 269, 273, 301, 303
 CPC H04B 1/3888; H04M 1/0283; H04M 1/0202; A45C 1/06; A45C 11/00; A45C 13/02; A45C 2011/002; A45F 2005/026; A45F 2200/0525; A45F 2200/0516
 See application file for complete search history.

D681,617 S	5/2013	Weller et al.	
D682,196 S	5/2013	Leung	
D683,340 S	5/2013	Chang et al.	
D687,425 S	8/2013	Fahrendorff et al.	
D688,655 S	8/2013	Rey-Hipolito et al.	
8,504,127 B2	8/2013	Altschul et al.	
8,517,172 B1	8/2013	Chang	
D691,601 S	10/2013	Murchison et al.	
D692,418 S	10/2013	Fahrendorff et al.	
D698,767 S	2/2014	Son	
D703,650 S	4/2014	Ehrlich	
D703,651 S	4/2014	Ehrlich	
D705,764 S *	5/2014	Thoni	D14/250
8,726,952 B2	5/2014	Jambunathan et al.	
D707,216 S	6/2014	Lee	
D707,965 S	7/2014	Requa	
D709,870 S	7/2014	Lee et al.	
D710,346 S *	8/2014	Smith	D14/250
D716,045 S	10/2014	Requa	
D716,783 S	11/2014	Loncar et al.	
D717,774 S	11/2014	Fathollahi	
D719,950 S *	12/2014	Smith	D14/250
D721,070 S *	1/2015	Pickett	D14/250
D721,689 S *	1/2015	Altschul	H04M 1/0283 D14/250
D723,532 S	3/2015	Stevinson	
8,971,975 B2	3/2015	Ramies et al.	
D730,338 S	5/2015	Lee et al.	
9,049,283 B1	6/2015	Kim	
D740,798 S	10/2015	Poon et al.	
D741,845 S	10/2015	Kim	
D743,931 S	11/2015	Hubbard et al.	
D746,275 S	12/2015	Mohammad	
9,241,551 B2	1/2016	Lawson et al.	
D749,068 S	2/2016	Zaborski et al.	
D749,555 S	2/2016	Poon et al.	
D749,557 S	2/2016	Feng	
D750,609 S *	3/2016	Daniel	D14/250
D753,099 S	4/2016	Kim	
D756,343 S	5/2016	Wall et al.	
D756,911 S	5/2016	Gupta et al.	
D759,004 S *	6/2016	Stevinson	D14/250
D759,966 S	6/2016	Pignotti	
D763,841 S	8/2016	Kim	
D765,069 S	8/2016	Jeffrey	
D767,553 S	9/2016	Fathollahi	
D768,615 S	10/2016	Wang	
D771,607 S	11/2016	Kim	
D771,608 S	11/2016	Kim et al.	
D772,209 S	11/2016	Kim et al.	
D775,620 S	1/2017	Kim	
D776,646 S	1/2017	Deng	
D776,648 S	1/2017	Kim	

(56) **References Cited**

U.S. PATENT DOCUMENTS

D619,361 S 7/2010 Andre et al.

D624,064 S * 9/2010 Esposito D14/250

D637,589 S 5/2011 Willes et al.

D646,265 S 10/2011 Fathollahi

D648,332 S 11/2011 Kim et al.

D650,371 S 12/2011 Wibby et al.

D654,491 S 2/2012 Melanson et al.

D655,281 S 3/2012 Turocy

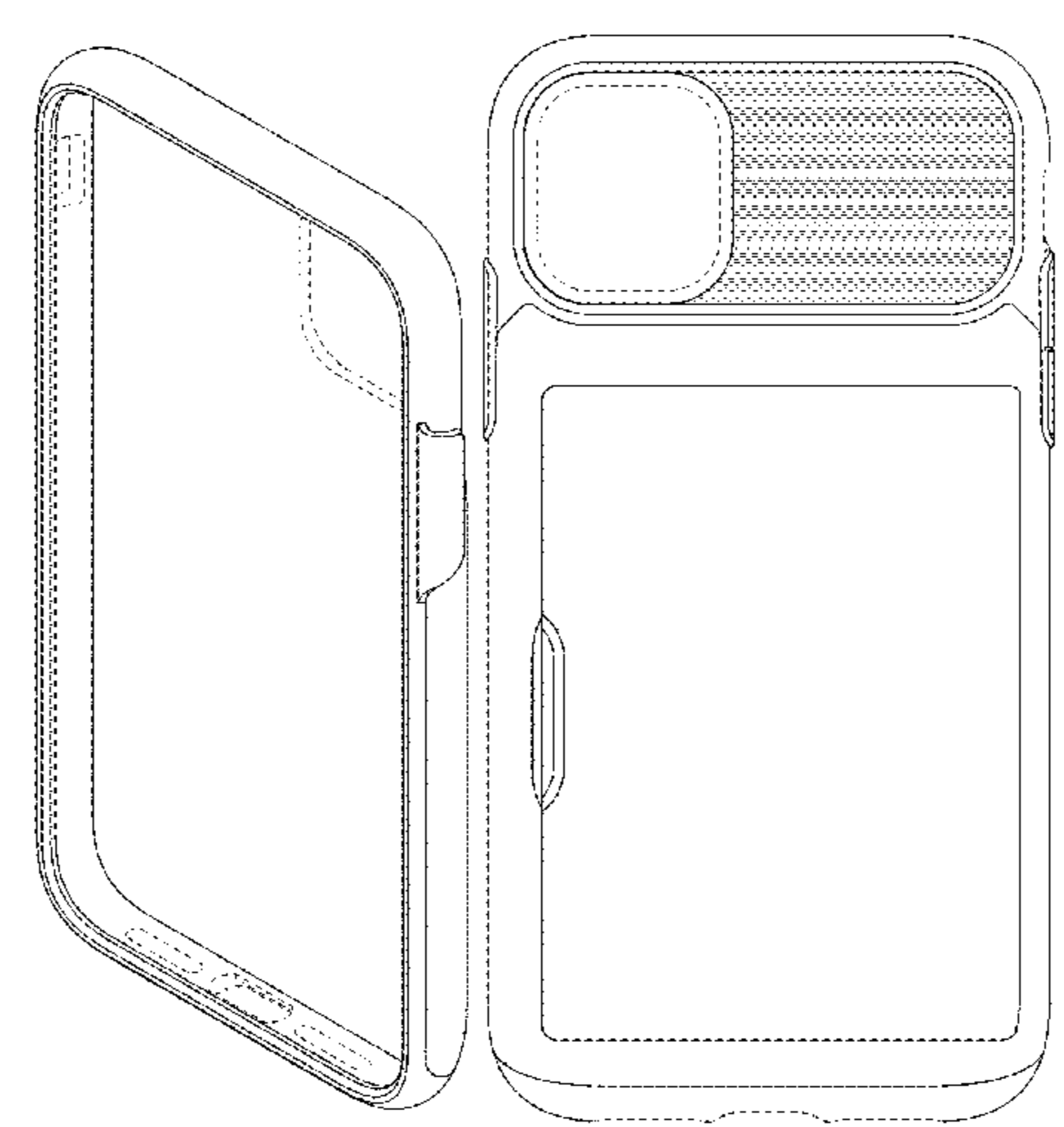
D656,495 S 3/2012 Andre et al.

D663,263 S 7/2012 Gupta et al.

D679,684 S * 4/2013 Baker D14/250

D679,690 S 4/2013 Fahrendorff et al.

D681,615 S 5/2013 Fathollahi



D776,649 S	1/2017	Kim	
D780,163 S	2/2017	Fathollahi	
D781,835 S	3/2017	Kim et al.	
D781,838 S	3/2017	Kin et al.	
D782,453 S	3/2017	Kim et al.	
D782,454 S	3/2017	Kim et al.	
D786,233 S	5/2017	Kim	
D787,491 S	5/2017	Kim	
D787,497 S	5/2017	Friedland et al.	
D788,760 S	6/2017	Kim	
D791,116 S	7/2017	Kim	
D793,380 S	8/2017	Ballou et al.	
D796,497 S	9/2017	Kim	
D796,498 S	9/2017	Babichenko	
D798,854 S	10/2017	Babichenko	
D800,104 S	10/2017	Kim	
D801,323 S	10/2017	Kim	
D801,324 S	10/2017	Kim	
D801,325 S	10/2017	Kim	
D802,574 S	11/2017	Kim	
D802,575 S	11/2017	Castro	
D802,577 S	11/2017	Ahn	
D807,336 S	1/2018	Kim	
D807,338 S	1/2018	Kim	
D808,944 S	1/2018	Kim	
D812,599 S	3/2018	Hyun	
D813,219 S	3/2018	Hyun	
D819,006 S	5/2018	Kim	
D819,013 S	5/2018	Kim et al.	
D820,819 S	6/2018	Kim	
D822,653 S	7/2018	Kim et al.	
D827,629 S	9/2018	Yu	
D830,352 S	10/2018	Chung	
D831,630 S *	10/2018	Altschul	D14/250
D832,833 S	11/2018	Kim	
D834,010 S *	11/2018	Kim	D14/250
D834,571 S	11/2018	Ravid	
D836,620 S *	12/2018	Ehrlich	D14/250
D837,774 S *	1/2019	Koo	D14/250
D837,775 S *	1/2019	Koo	D14/250
D837,776 S *	1/2019	Chung	D14/250
D840,992 S	2/2019	Kim	
D841,637 S	2/2019	Kim	
D853,371 S	7/2019	Wei	
D853,372 S *	7/2019	Kim	D14/250
D855,607 S *	8/2019	Altschul	D14/250
D858,505 S *	9/2019	Zhang	D14/250
D859,391 S *	9/2019	Yun	D14/250
D864,936 S *	10/2019	Chiang	D14/250
D868,051 S *	11/2019	Kim	D14/250
D877,728 S *	3/2020	Kim	D14/250
D881,178 S *	4/2020	Jung	D14/250
2015/0141082 A1 *	5/2015	Ehrlich	H04B 1/3888 455/575.1
2017/0086557 A1 *	3/2017	Choi	H04B 1/3888

OTHER PUBLICATIONS

“Spigen Slim Armor CS Designed for Samsung Galaxy S10e Case (2019)—Rose Gold”, <https://www.amazon.com/dp/B07MQT5PP9>, Earliest review date of Mar. 6, 2019, Downloaded on Oct. 3, 2019.

“Spigen Slim Armor CS Galaxy S7 Edge Case with Slim Dual Layer Wallet Design and Card Slot Holder for Galaxy S7 Edge 2016—Gunmetal”, <https://www.amazon.com/dp/B01CTRI5VM>, Earliest review date of Apr. 22, 2016.

“iPhone 7 Plus Case, Spigen® [Slim Armor CS] Card Holder [Gunmetal] Slim Fit Dual Layer Protective with Card Slot Holder Wallet Case for iPhone 7 Plus (2016)—(043CS20526)”, <https://www.amazon.co.uk/dp/B01GIWFLQ6>, Date first available at Amazon.co.uk of Aug. 2, 2016, Downloaded on Aug. 23, 2018.

“VRS Design Damda Glide Samsung Galaxy Note 7 Case—Blue Coral”, <https://www.mobilefun.com/vrs-design-damda-glide-samsung-galaxy-note-7-case-blue-coral-60422>, Earliest review date of Sep. 9, 2016.

“Galaxy S7 Edge Case Damda Glide Series”, <https://vrsdesign.com/products/damda-glide-series-galaxy-s7-edge-case>, Earliest review posted on 2016, Downloaded on Dec. 17, 2018.

“Galaxy S7 Case, VRS Design [Damda Glide Series] Semi Automatic Card Slot with Military Grade Protection (Satin Silver)”, <https://www.amazon.com/dp/B01LWRTPW>, Earliest review date of Nov. 8, 2016.

“iPhone 6 Plus/6s Plus Case Damda Glide Series”, <https://vrsdesign.com/products/iphone-6-plus-6s-plus-damda-glide-series>, Earliest review posted on 2016, Downloaded on Dec. 18, 2018.

“iPhone 7 Plus / 8 Plus Case, VRS Design [Damda Glide Series] Semi Automatic Card Slot with Military Grade Protection (Steel Silver)”, <https://www.amazon.com/DP/B01LY0IWRH>, Earliest review date of Oct. 18, 2016.

“VRS Design [Damda Glide Series] Semi Automatic Card Slot Shockproof Case Compatible with Apple iPhone 7 / 8—(Steel Silver)”, <https://www.amazon.com/dp/B01LXD3F6L>, Earliest review date of Oct. 11, 2016.

“iPhone 6/6s Case Damda Glide Series”, <https://vrsdesign.com/products/damda-glide-series-2>, Earliest review posted on 2016, Downloaded on Dec. 17, 2018.

“VRS Design unveils semi-automatic Damda Glide cases for the Samsung Galaxy Note 7”, <https://www.prnewswire.com/news-releases/vrs-design-unveils-semi-automatic-damda-glide-cases-for-the-samsung-galaxy-note-7-300299529.html>, Published on Jul. 18, 2016.

“Galaxy Note 7 Case Preview from VRS Design: Damda Glide Case!”, <https://www.youtube.com/watch?v=3aoPDXLbrRk>, Published on Aug. 1, 2016.

“Spigen Slim Armor CS Galaxy S7 Case with Slim Dual Layer Wallet Design and Card Slot Holder for Samsung Galaxy S7 2016—Gunmetal”, <https://www.amazon.com/dp/B01AUR1HF4>, Earliest review date of Mar. 12, 2016, Downloaded on Sep. 5, 2018.

“Spigen Slim Armor CS Galaxy S8 Case with Slim Dual Layer Wallet Design and Card Slot Holder for Samsung Galaxy S8 (2017)”, <https://www.amazon.com/dp/B06XP51T59>, Earliest review date of Apr. 7, 2017, Downloaded on Jan. 16, 2019.

“Spigen Slim Armor CS Galaxy Note 8 Case with Slim Dual Layer Wallet Design and Card Slot Holder for Galaxy Note 8 (2017)—Black”, <https://www.amazon.com/dp/B073RWKCQ8>, Earliest review date of Sep. 1, 2017, Downloaded on Jan. 16, 2019.

“Spigen Slim Armor CS Designed for Apple iPhone Xs Case (2018) / Designed for Apple iPhone X Case (2017)—Black”, <https://www.amazon.com/dp/B074CNGG4N/>, Earliest review date of Sep. 25, 2017, Downloaded on Jan. 16, 2019.

“Spigen Slim Armor CS Galaxy Note 9 Case with Slim Dual Layer Wallet Design and Card Slot Holder for Samsung Galaxy Note 9 (2018)—Black”, <https://www.amazon.com/dp/B07FN955LL/>, Earliest review date of Aug. 22, 2018, Downloaded on Jan. 16, 2019.

“Spigen Slim Armor CS Designed for Apple iPhone Xs Max Case (2018)—Black”, <https://www.amazon.com/dp/B07GDWQ3TB>, Earliest review date of Sep. 22, 2018, Downloaded on Jan. 16, 2019.

“Spigen Slim Armor CS Designed for Apple iPhone XR Case (2018)—Black”, <https://www.amazon.com/dp/B07GHFCY5J>, Earliest review date of Oct. 25, 2018, Downloaded on Jan. 16, 2019.

“Spigen Slim Armor CS Designed for Samsung Galaxy S10 Plus Case (2019)—Black”, <https://www.amazon.com/dp/B07MG8JGXW>, Earliest review date of Feb. 23, 2019, Downloaded on Oct. 3, 2019.

“Spigen Slim Armor CS Designed for Samsung Galaxy S10 Case (2019)—Black”, <https://www.amazon.com/dp/B07MQWRCN9>, Earliest review date of Mar. 6, 2019, Downloaded on Oct. 3, 2019.

“Spigen Slim Armor CS iPhone 7 Case/iPhone 8 Case with Slim Dual Layer Wallet Design and Card Slot Holder for Apple iPhone 7 (2016) / iPhone 8 (2017)—Gunmetal”, <https://www.amazon.com/dp/B01GIVWS2C>, Earliest review date of Apr. 22, 2016, Downloaded on Sep. 5, 2018.

“Spigen Crystal Wallet iPhone 7/iPhone 8 Case with Slim Dual Layer Wallet Design and Card Slot Holder for Apple iPhone 7 (2016) / iPhone 8 (2017)—Jet White”, <https://www.amazon.com/dp/B01N3NIB0N>, Earliest review date of Mar. 30, 2017, Downloaded on Sep. 5, 2018.

“Spigen Slim Armor CS Galaxy S8 Plus Case with Slim Dual Layer Wallet Design and Card Slot Holder for Galaxy S8 Plus (2017)—Rose Gold”, <https://www.amazon.com/Spigen-Galaxy-Wallet-Design-Holder/dp/B06XNW4YD8>, Earliest review date of Apr. 3, 2017, Downloaded on Jan. 16, 2019.

“Spigen Slim Armor CS Galaxy S8 Case with Slim Dual Layer Wallet Design and Card Slot Holder for Samsung Galaxy S8 (2017)—Gunmetal”, <https://www.amazon.com/Spigen-Galaxy-Wallet-Design-Samsung/dp/B06XP51T59>, Earliest review date of Apr. 7, 2017, Downloaded on Sep. 5, 2018.

“Spigen Slim Armor CS Galaxy Note 8 Case with Slim Dual Layer Wallet Design and Card Slot Holder for Galaxy Note 8 (2017)—Black”, <https://www.amazon.com/Spigen-Galaxy-Wallet-Design-Holder/dp/B073RWKCQ8>, Earliest review date of Sep. 1, 2017, Downloaded on Sep. 5, 2018.

“Spigen Slim Armor CS iPhone X Case with Slim Dual Layer Wallet Design and Card Slot Holder for Apple iPhone X (2017)—Black”, <https://www.amazon.com/Spigen-Armor-Designed-Apple-iPhone/dp/B074CNGG4N>, Earliest review date of Sep. 25, 2017, Downloaded on Sep. 5, 2018.

“Spigen Slim Armor CS Google Pixel 2 Case with Slim Dual Layer Wallet Design and Card Slot Holder for Google Pixel 2 (2017)—Black”, <https://www.amazon.com/Spigen-Google-Wallet-Design-Holder/dp/B07474KKY2>, Earliest review date of Nov. 24, 2017, Downloaded on Jan. 16, 2019.

“Spigen Slim Armor CS Google Pixel 2 XL Case with Slim Dual Layer Wallet Design and Card Slot Holder for Google Pixel 2 XL (2017)—Black”, <https://www.amazon.com/Spigen-Google-Wallet-Design-Holder/dp/B07473W4ZK>, Earliest review date of Nov. 25, 2017, Downloaded on Jan. 16, 2019.

“Spigen Slim Armor CS Galaxy S9 Plus Case with Slim Dual Layer Wallet Design and Card Slot Holder for Samsung Galaxy S9 Plus (2018)—Gunmetal”, <https://www.amazon.com/Spigen-Galaxy-Wallet-Design-Samsung/dp/B0789SXD7W>, Earliest review date of Mar. 6, 2018, Downloaded on Jan. 16, 2019.

“Spigen Slim Armor CS [Updated Version] Galaxy S9 Case with Slim Dual Layer Wallet Design and Card Slot Holder for Samsung Galaxy S9 (2018)—Gunmetal”, <https://www.amazon.com/Spigen-Updated-Version-Galaxy-Samsung/dp/B07BZHN92K>, Earliest review date of May 18, 2018, Downloaded on Jan. 16, 2019.

“Spigen Slim Armor CS Series Dual Layer Hard Case for Galaxy S6—White/Black”, <https://www.amazon.com/Spigen-Slim-Armor-Layer-Galaxy/dp/B07BCK59YV>, Earliest review date of May 25, 2018, Downloaded on Jan. 16, 2019.

* cited by examiner

Primary Examiner — Carla J Wright

(74) *Attorney, Agent, or Firm* — Heedong Chae; Lucem, PC

(57) **CLAIM**

The ornamental design for a case for electronic communications device, as shown and described.

DESCRIPTION

FIG. 1 is a front perspective view of a case for electronic communications device showing a first embodiment of my new design;

FIG. 2 is a rear perspective view thereof;

FIG. 3 is a front elevational view thereof;

FIG. 4 is a rear elevational view thereof;

FIG. 5 is a left side elevational view thereof;

FIG. 6 is a right side elevational view thereof;

FIG. 7 is a top plan view thereof;

FIG. 8 is a bottom plan view thereof;

FIG. 9 is a rear perspective view thereof showing the rear storage compartment cover portion of the case in an open position;

FIG. 10 is an enlarged detail view of the encircled region of FIG. 2;

FIG. 11 is an enlarged detail view of the encircled region of FIG. 5;

FIG. 12 is a front perspective view of a case for electronic communications device showing a second embodiment of my new design;

FIG. 13 is a rear perspective view thereof;

FIG. 14 is a front elevational view thereof;

FIG. 15 is a rear elevational view thereof;

FIG. 16 is a left side elevational view thereof;

FIG. 17 is a right side elevational view thereof;

FIG. 18 is a top plan view thereof;

FIG. 19 is a bottom plan view thereof;

FIG. 20 is a rear perspective view thereof showing the rear storage compartment cover portion of the case in an open position;

FIG. 21 is an enlarged detail view of the encircled region of FIG. 13;

FIG. 22 is an enlarged detail view of the encircled region of FIG. 16;

FIG. 23 is a front perspective view of a case for electronic communications device showing a third embodiment of my new design;

FIG. 24 is a rear perspective view thereof;

FIG. 25 is a front elevational view thereof;

FIG. 26 is a rear elevational view thereof;

FIG. 27 is a left side elevational view thereof;

FIG. 28 is a right side elevational view thereof;

FIG. 29 is a top plan view thereof;

FIG. 30 is a bottom plan view thereof;

FIG. 31 is a rear perspective view thereof showing the rear storage compartment cover portion of the case in an open position;

FIG. 32 is an enlarged detail view of the encircled region of FIG. 24; and,

FIG. 33 is an enlarged detail view of the encircled region of FIG. 27.

The dot-dash broken line circles in FIGS. 2, 5, 13, 16, 24, and 27 delineate portions of the case for electronic communications device that are part of the claimed design and are shown on an enlarged scale in FIGS. 10, 11, 21, 22, 32, and 33.

The dashed broken lines throughout the drawing figures depict portions of the case for electronic communications device that form no part of the claimed design.

1 Claim, 33 Drawing Sheets

FIG. 1

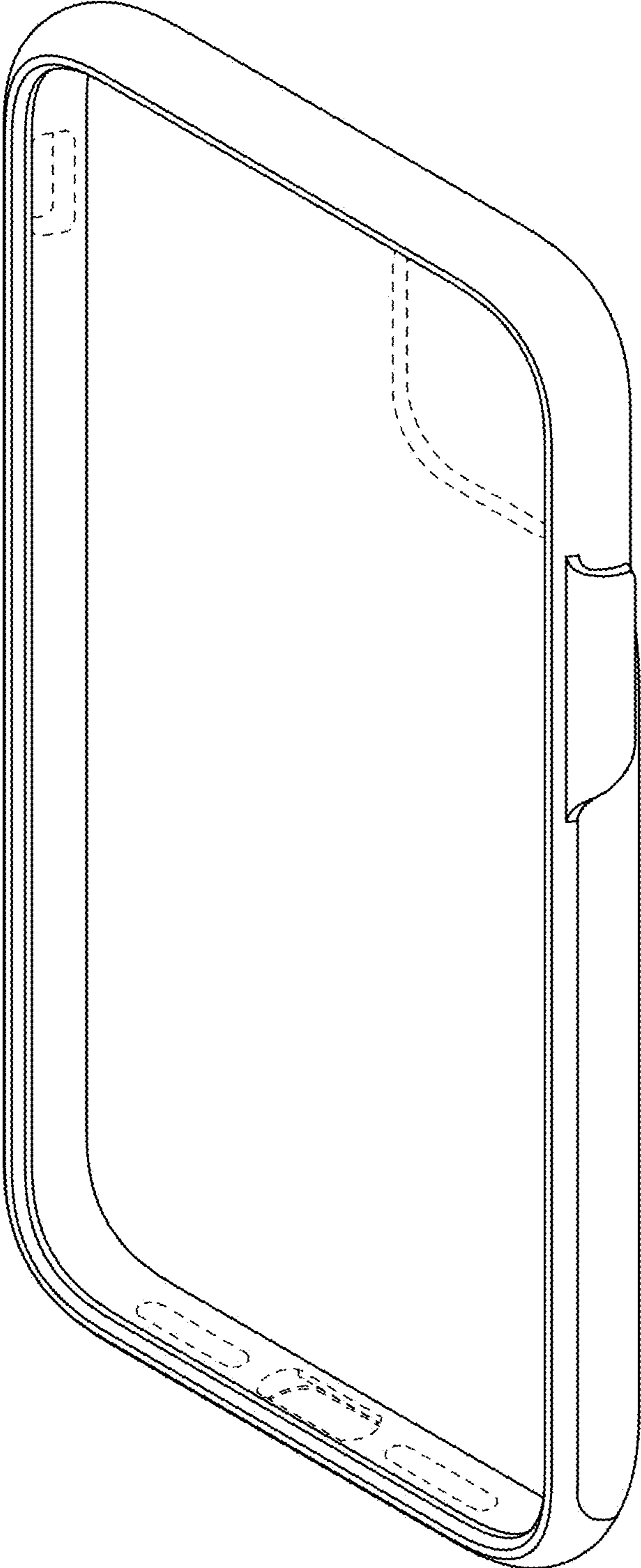


FIG. 2

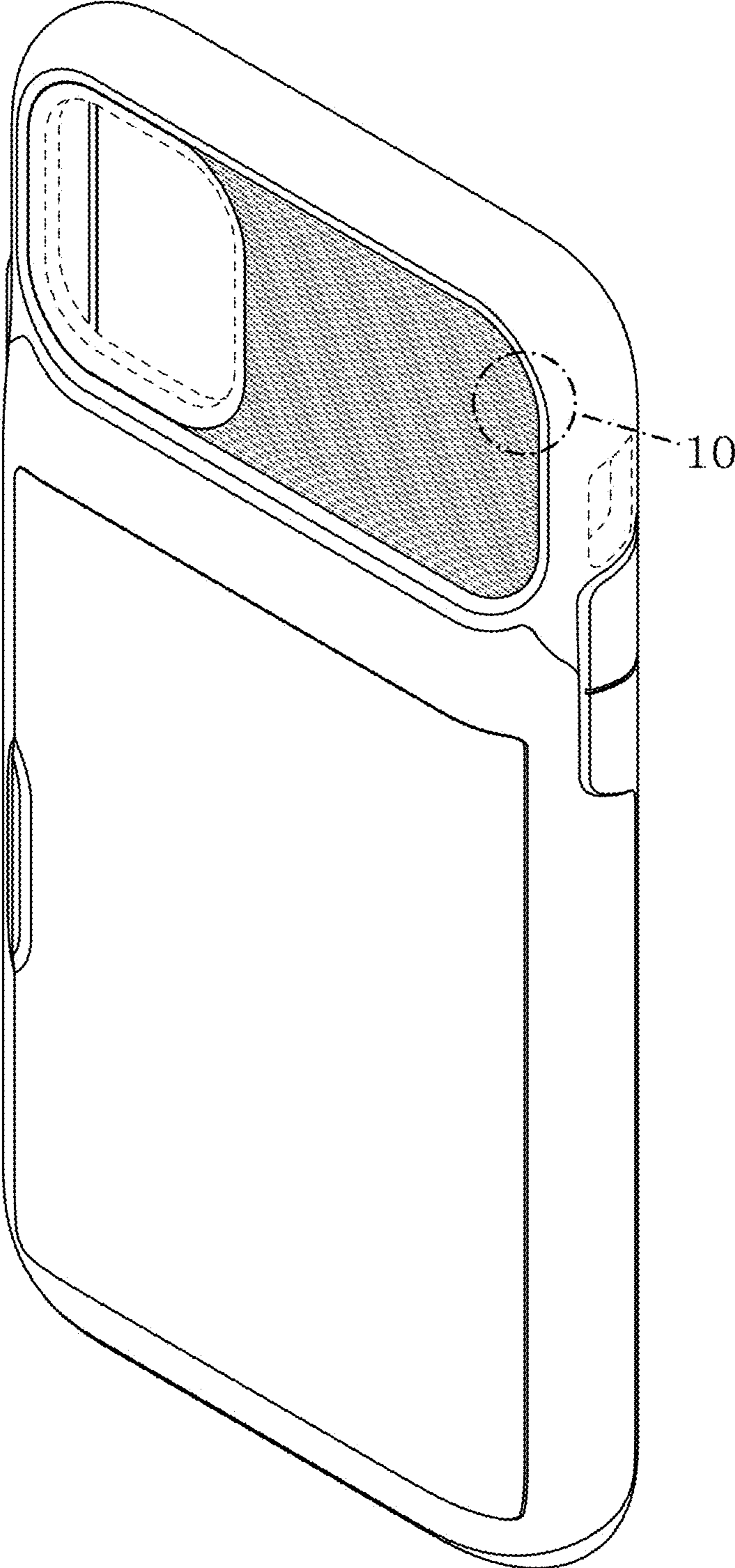


FIG. 3

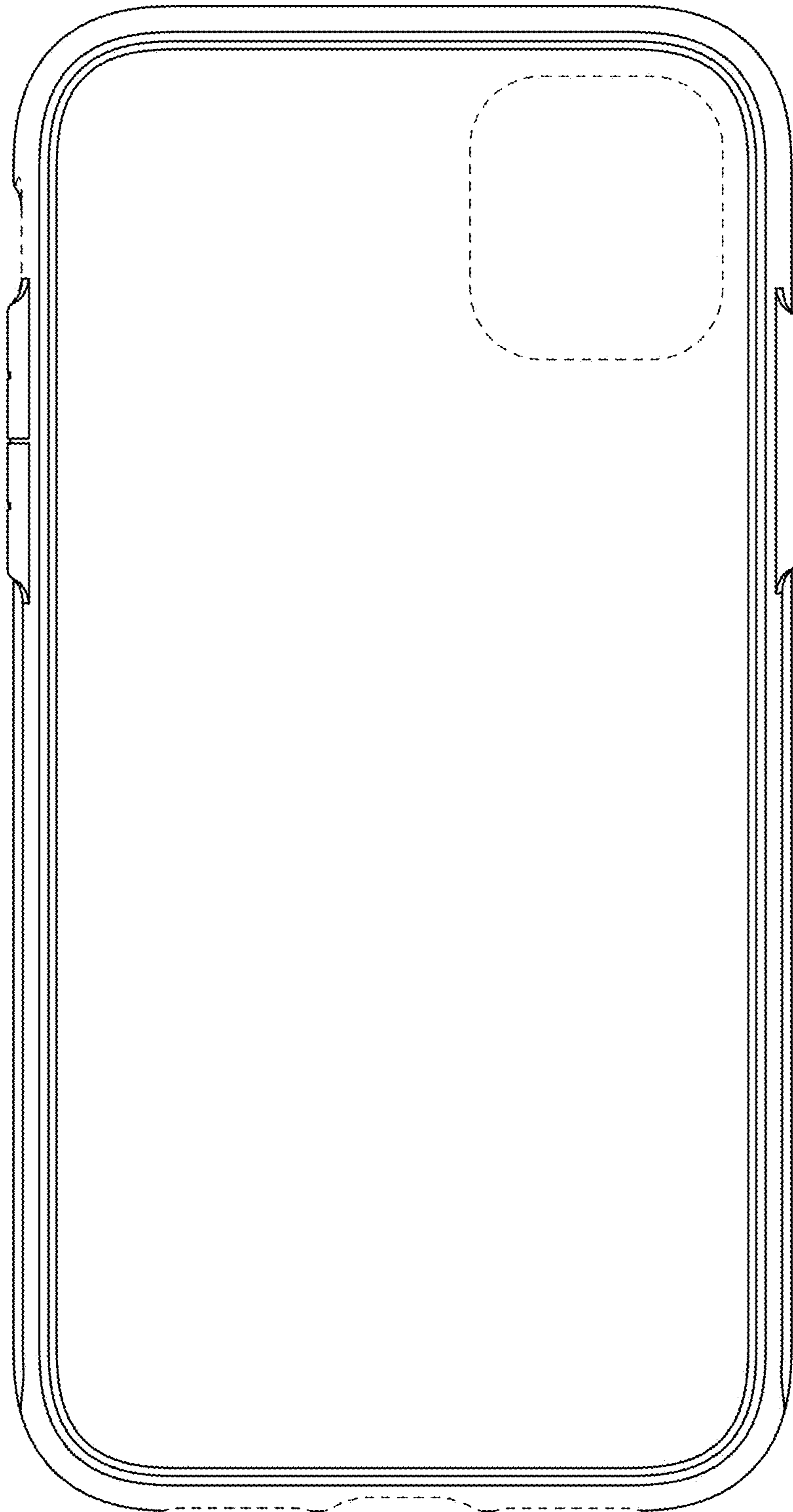


FIG. 4

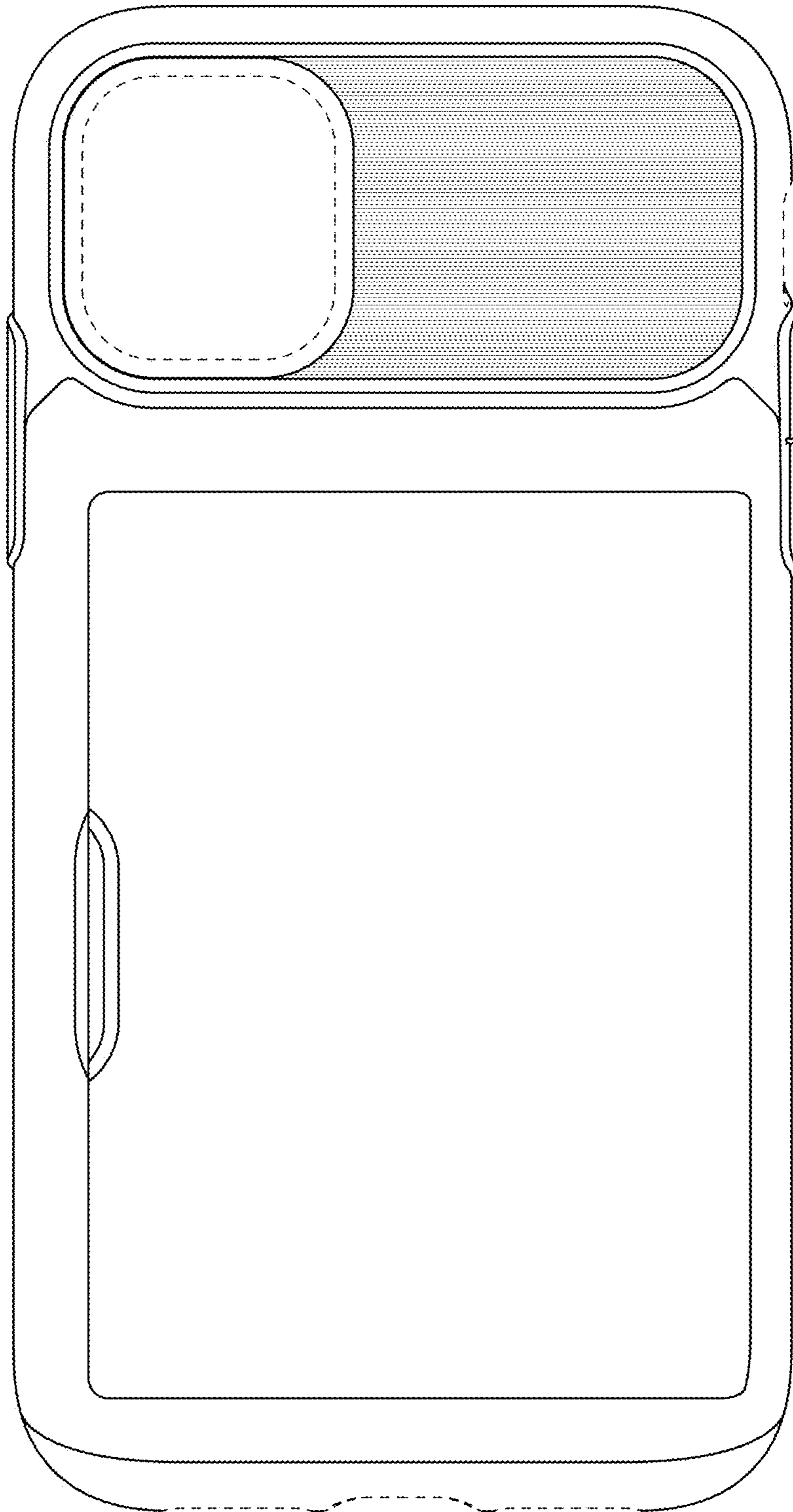


FIG. 5

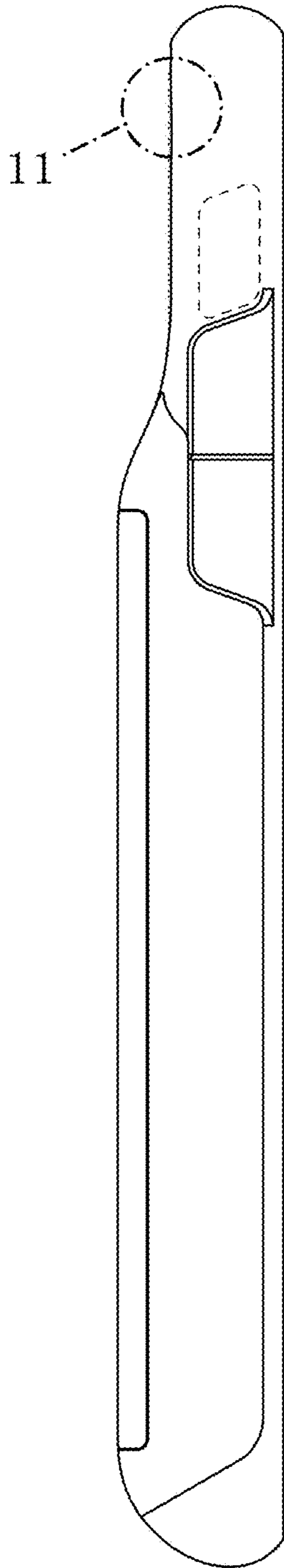


FIG. 6

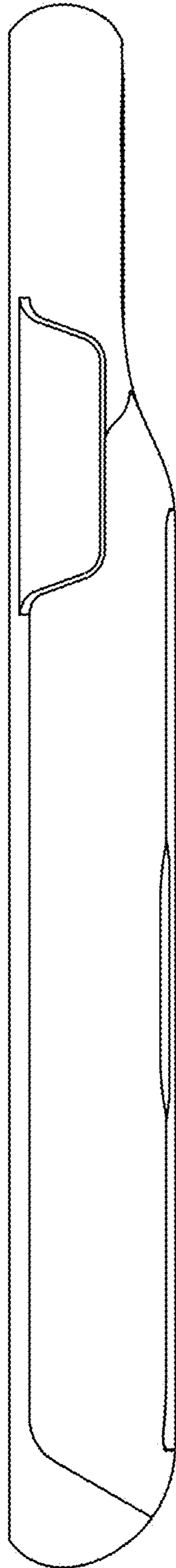


FIG. 7

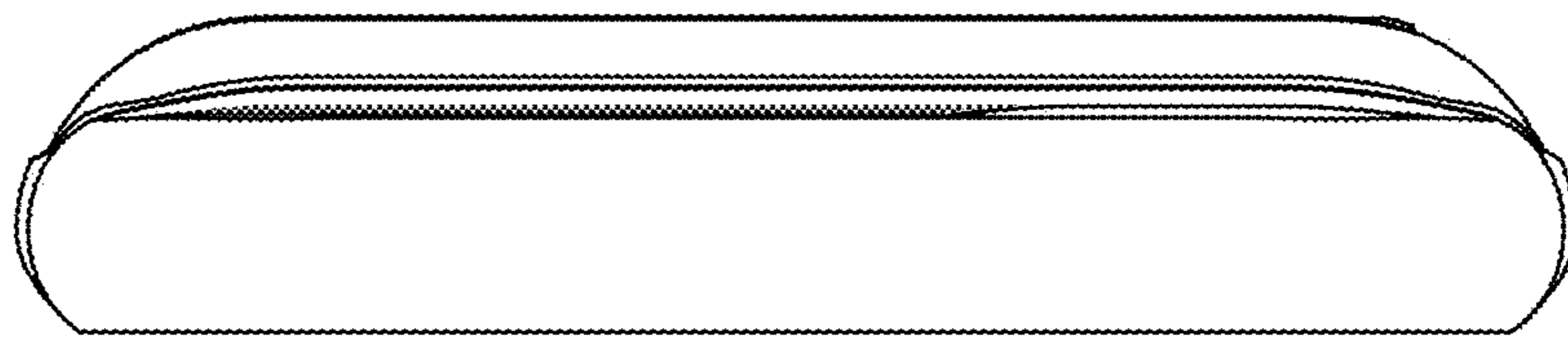


FIG. 8

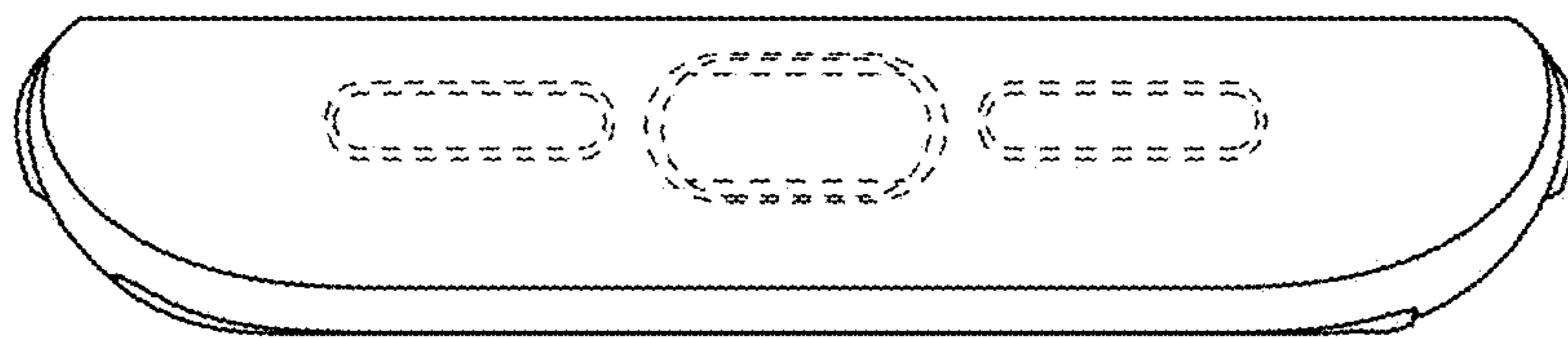


FIG. 9

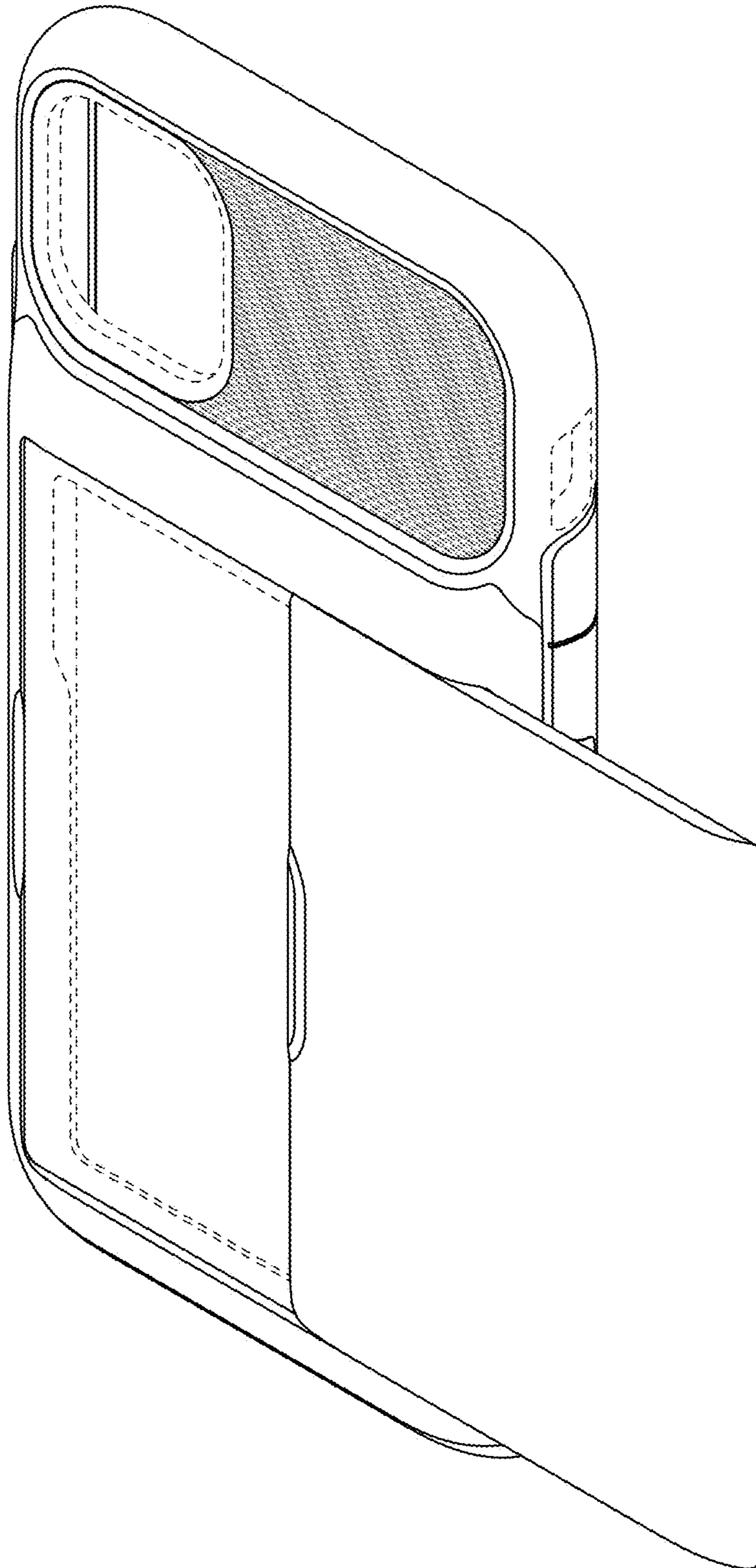


FIG. 10

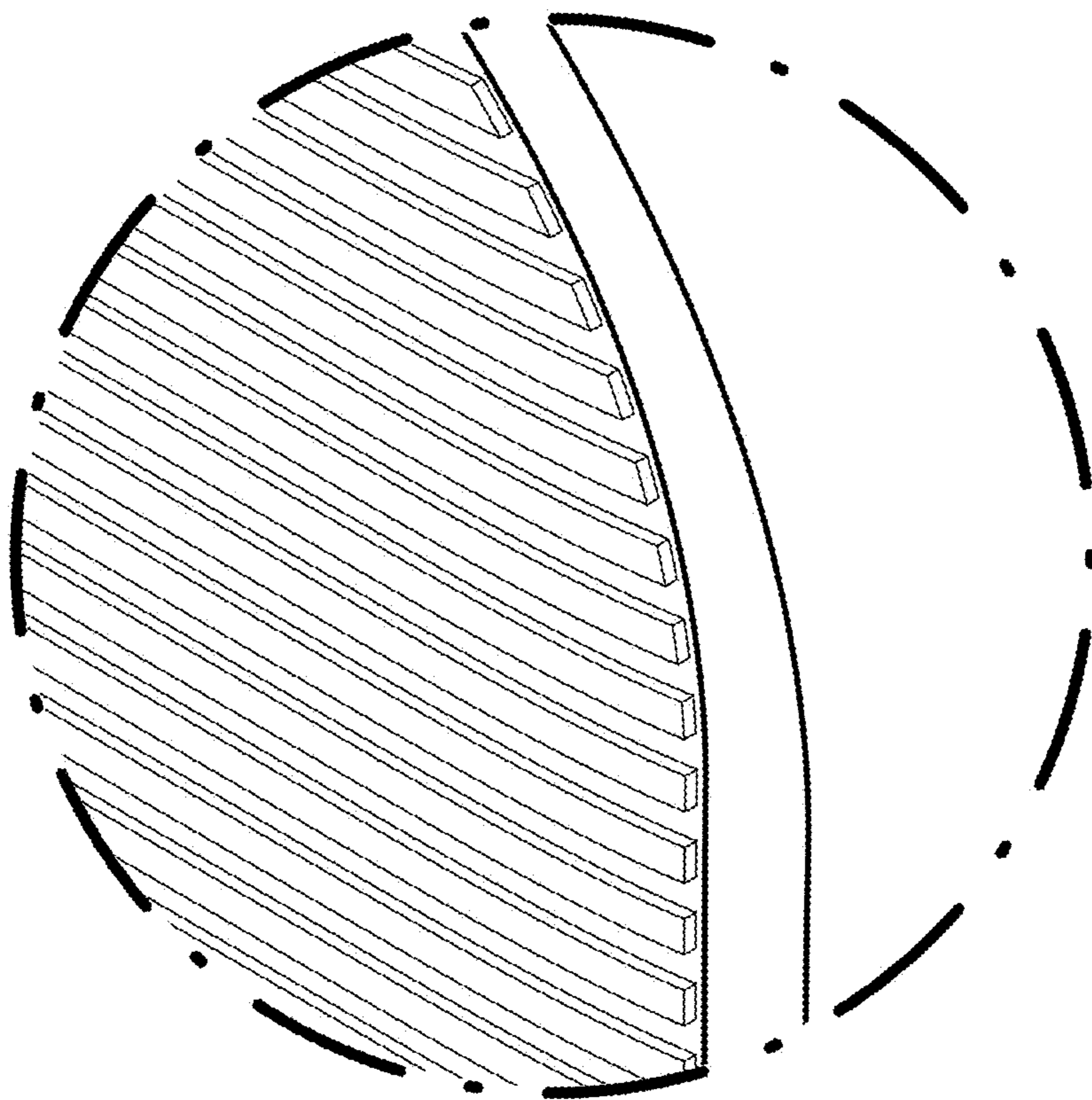


FIG. 11

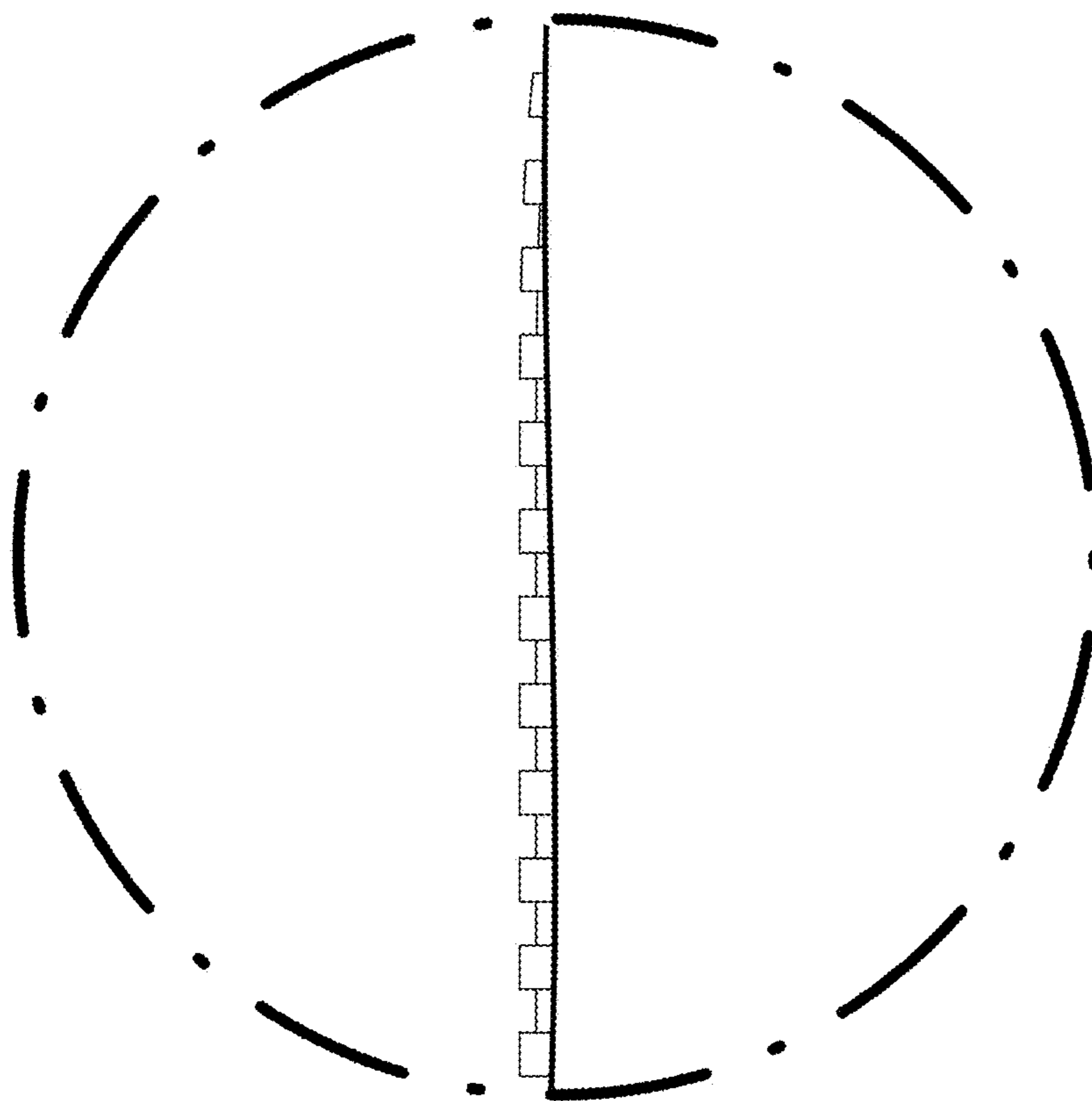


FIG. 12

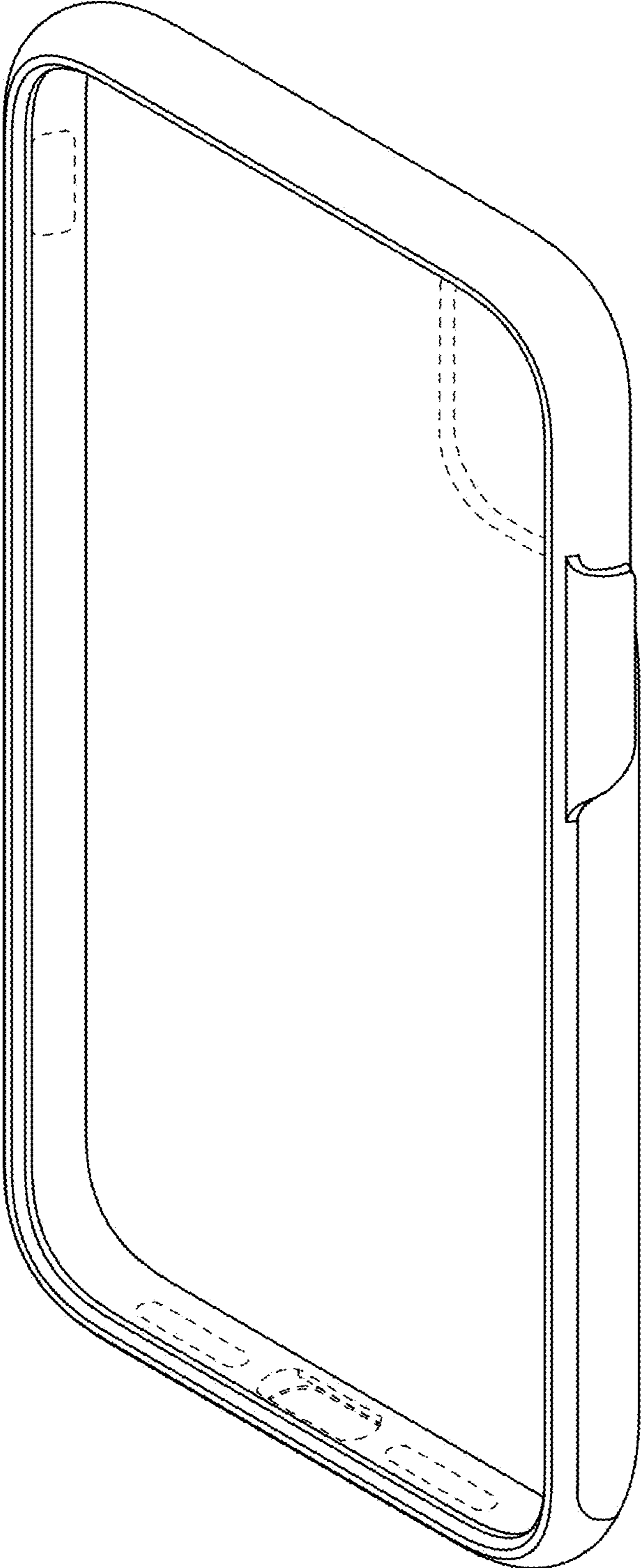


FIG. 13

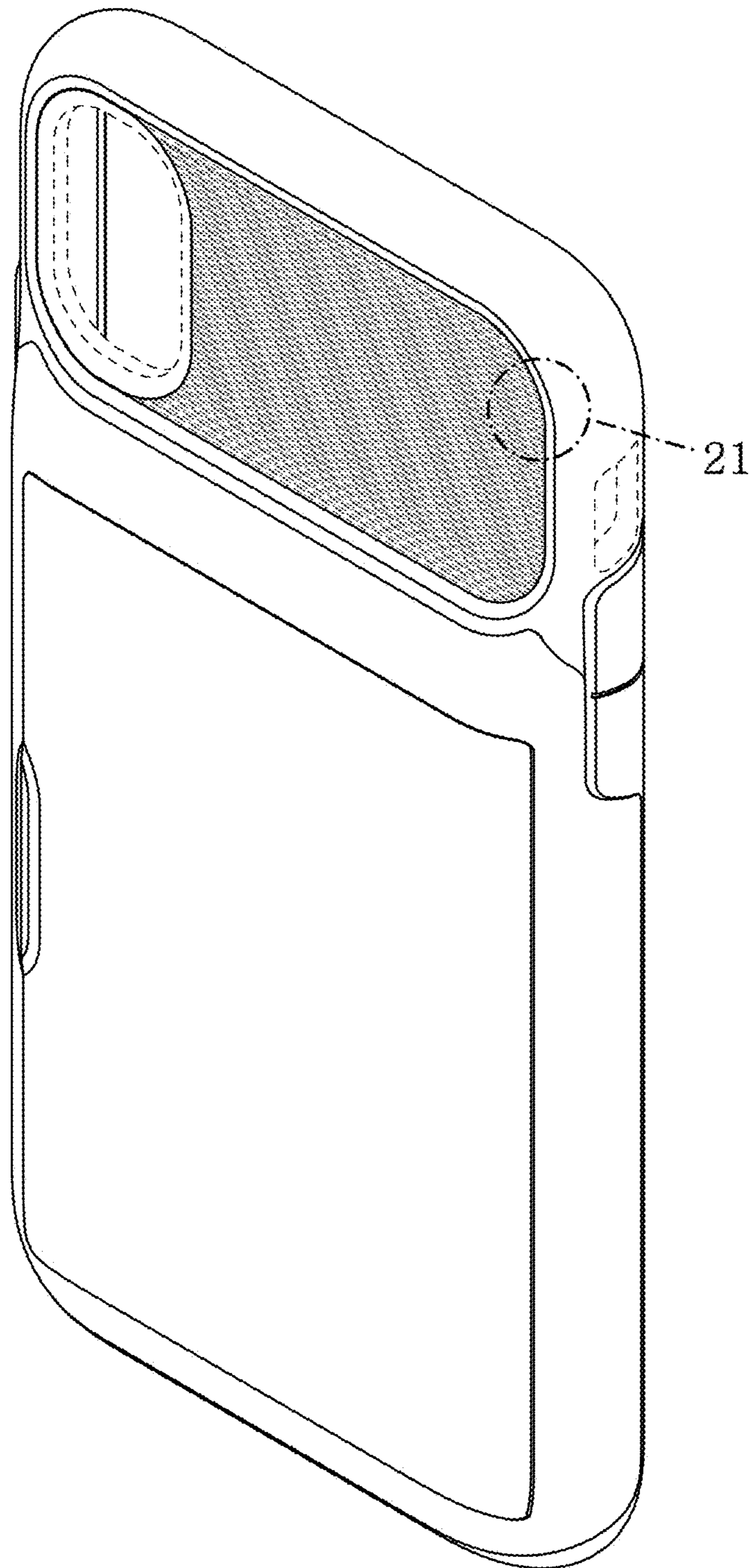


FIG. 14

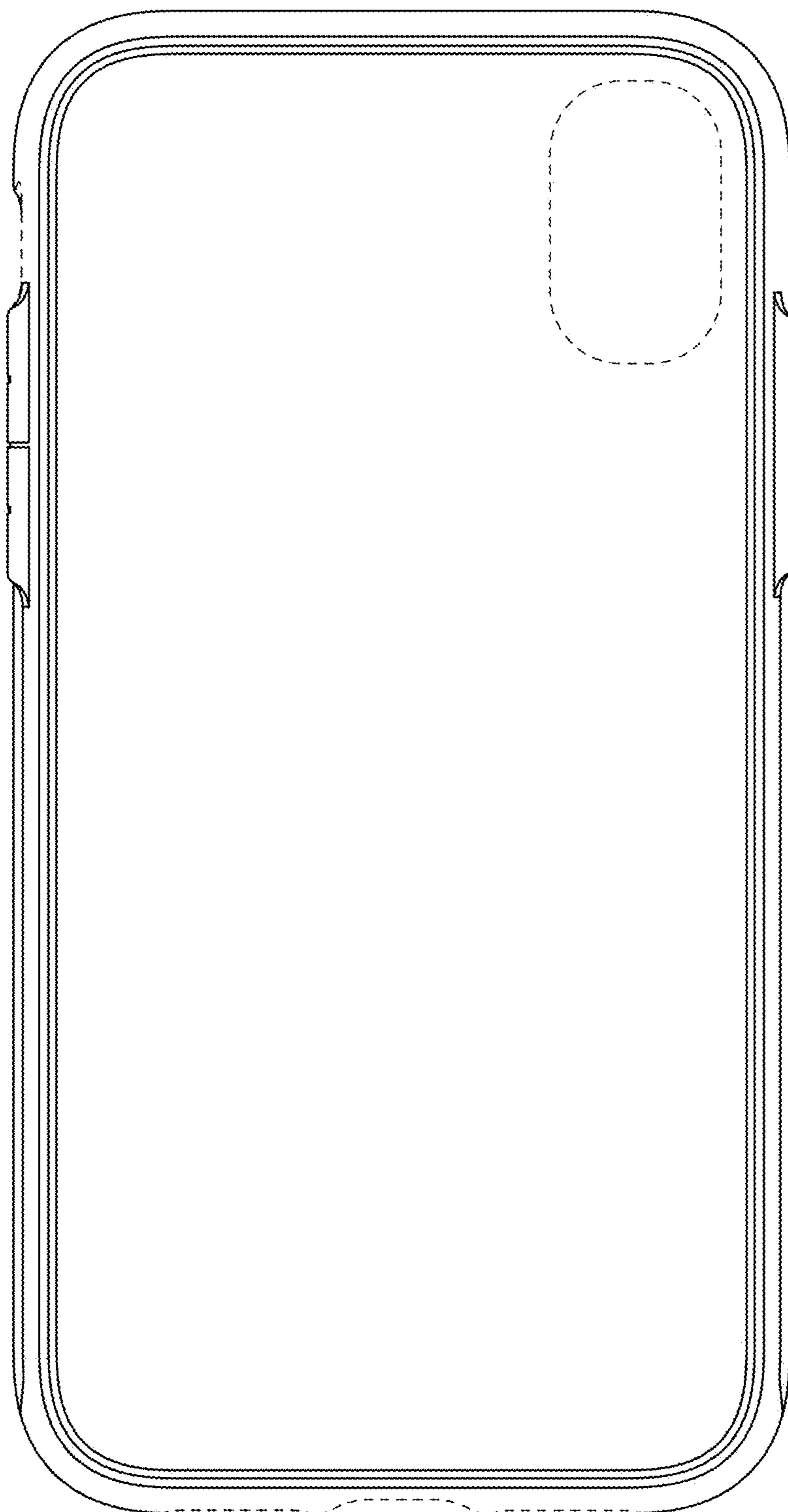


FIG. 15

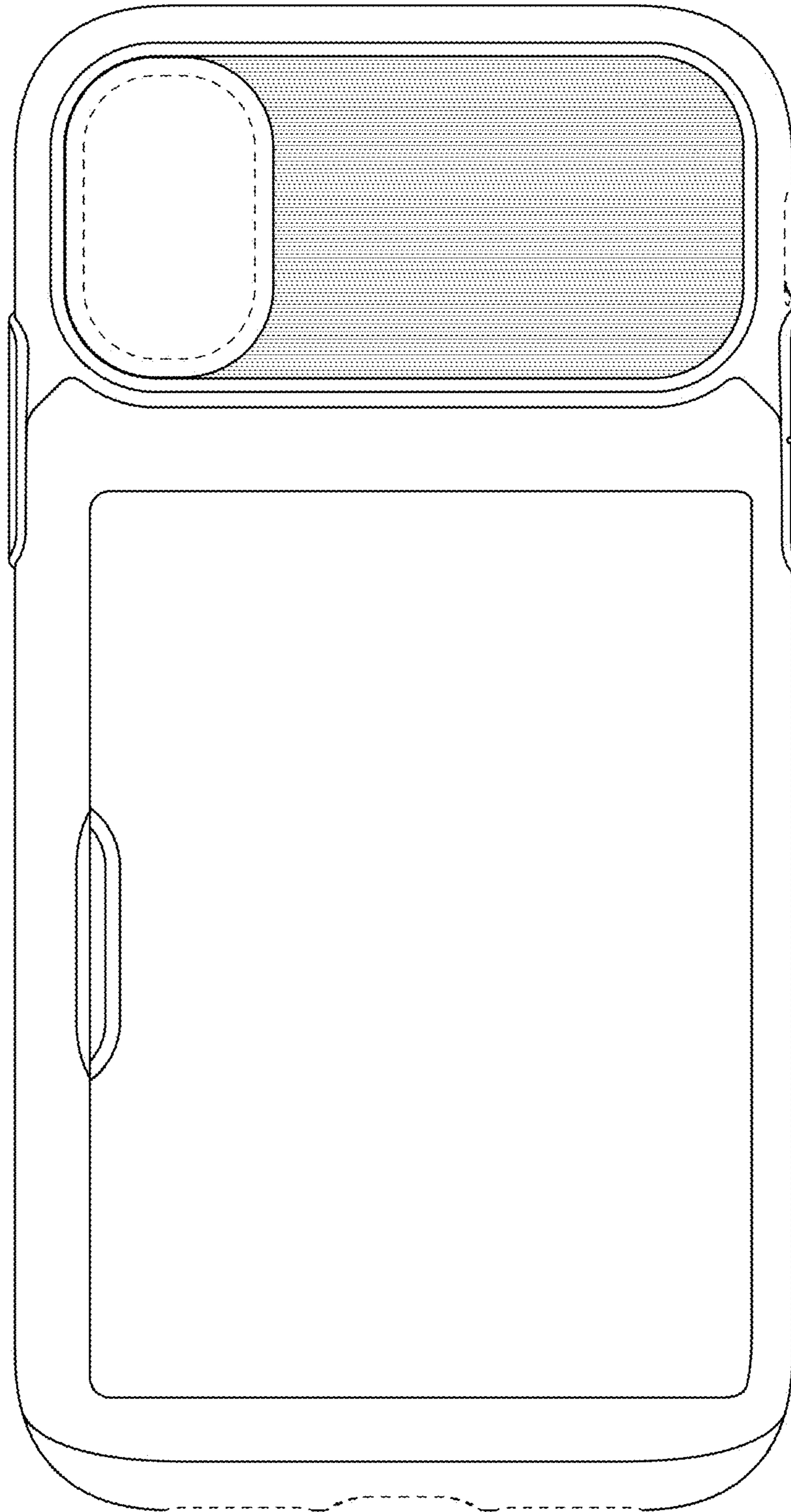


FIG. 16

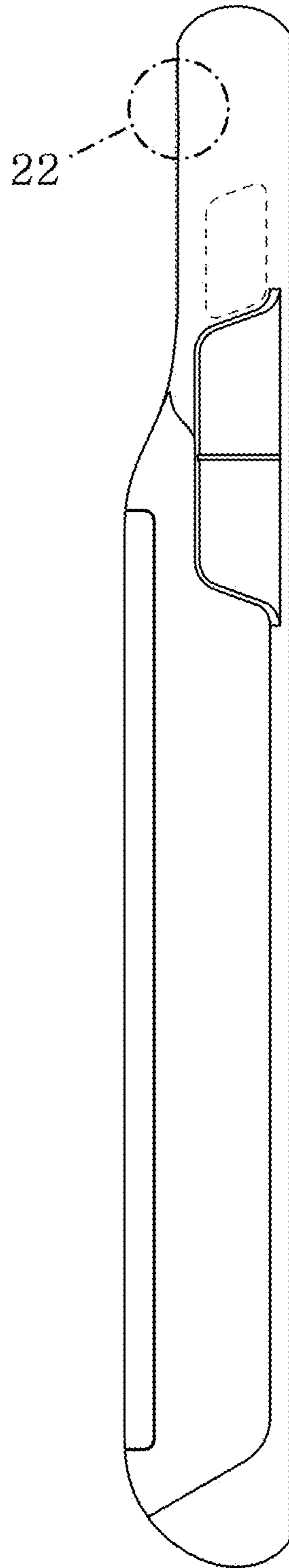


FIG. 17

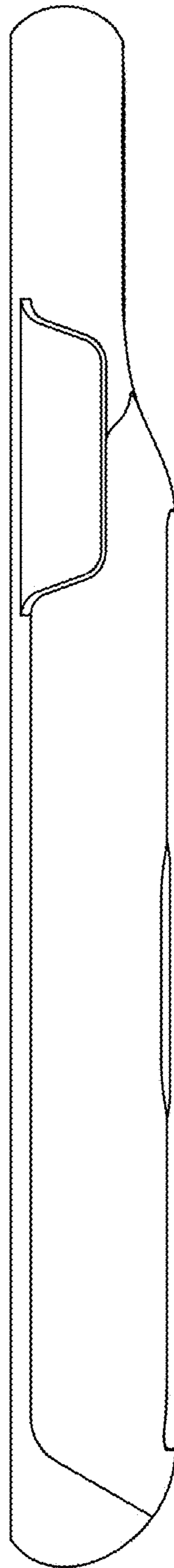


FIG. 18

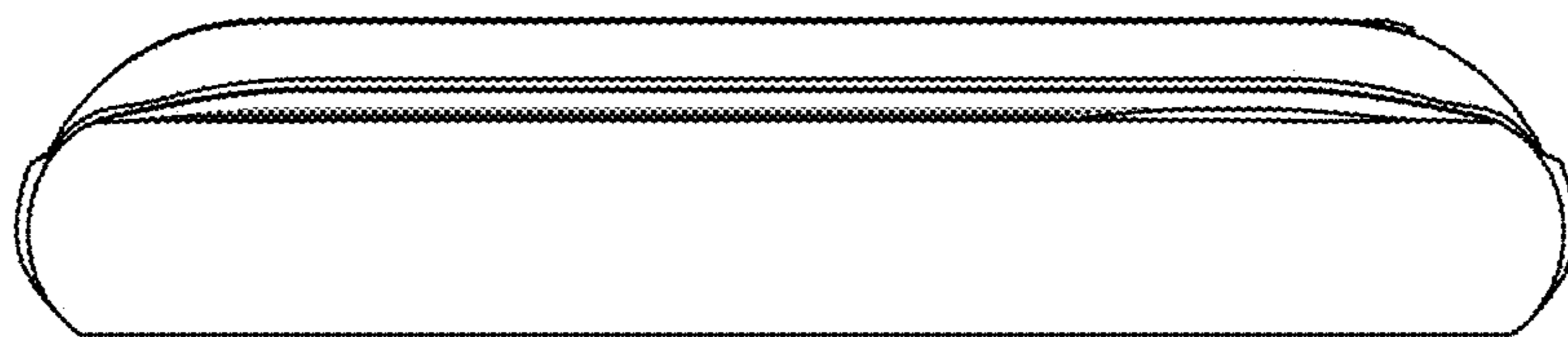


FIG. 19

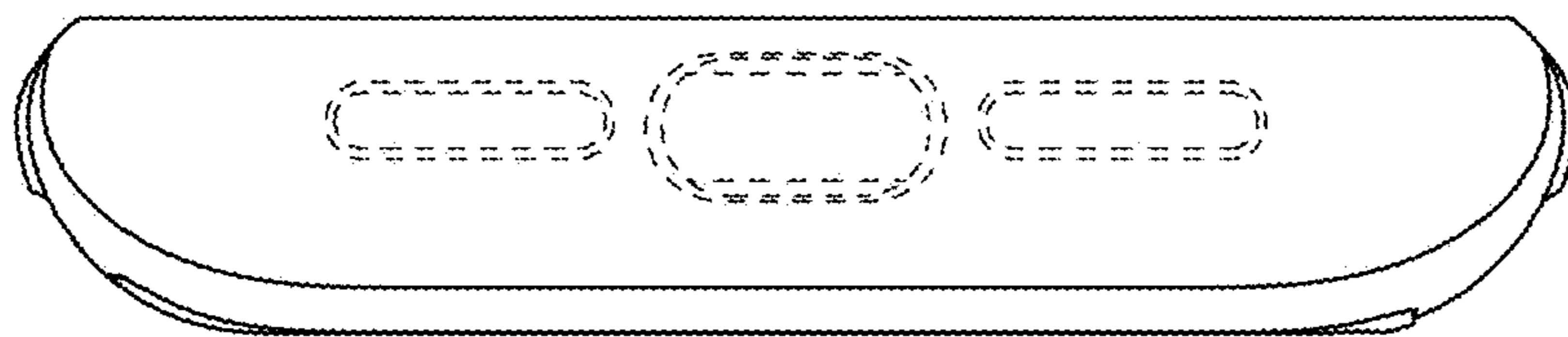


FIG. 20

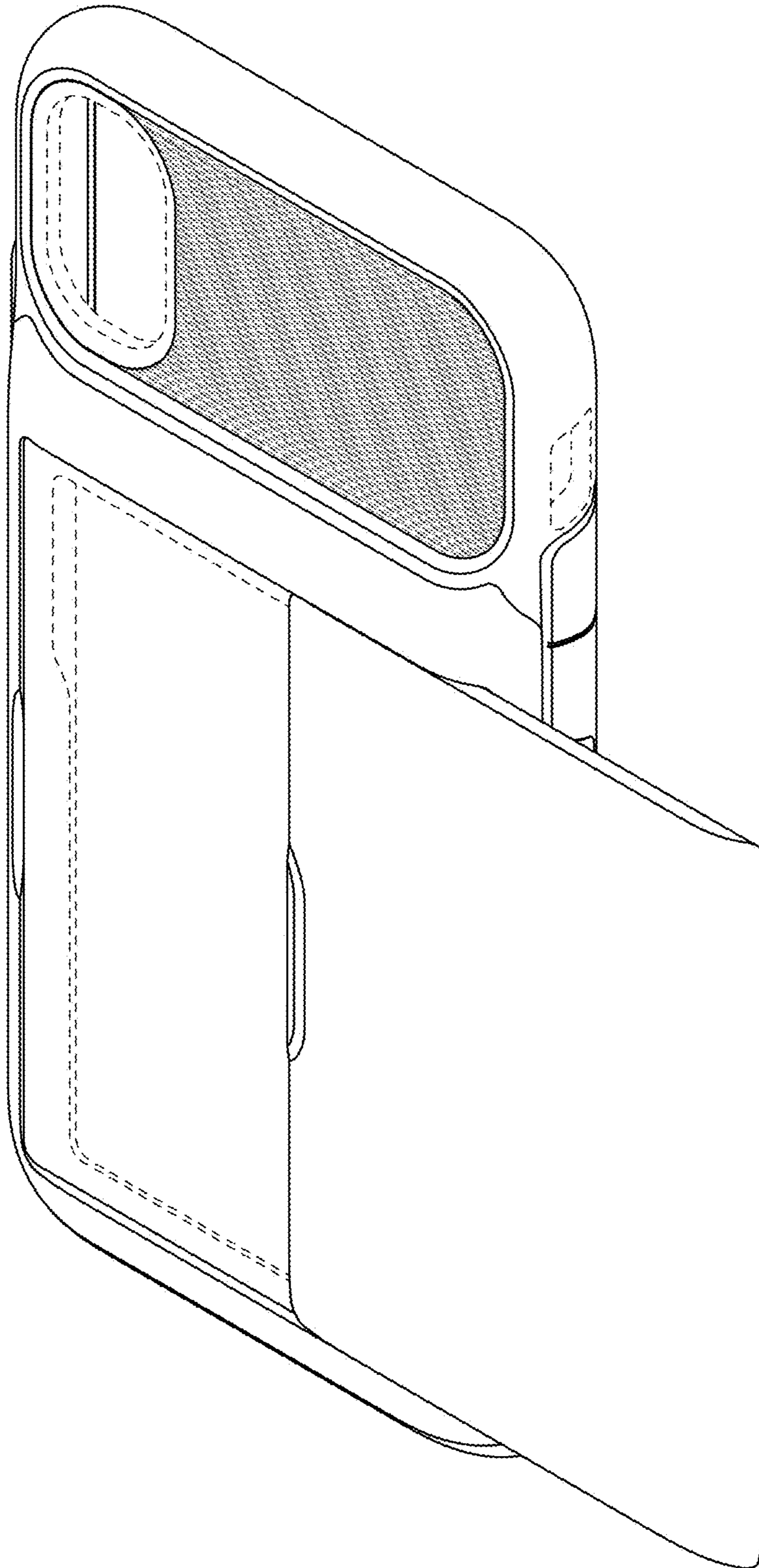


FIG. 21

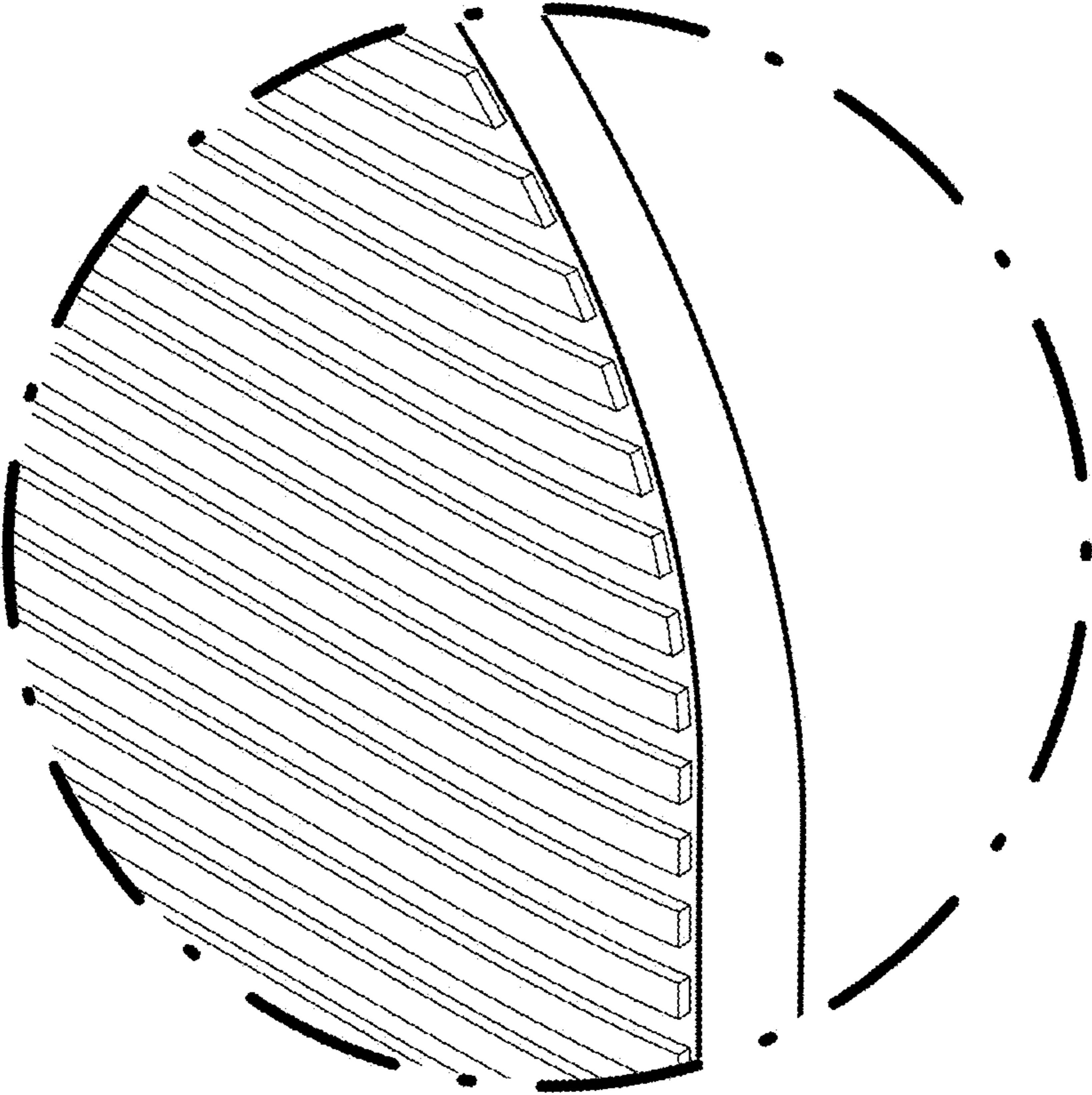


FIG. 22

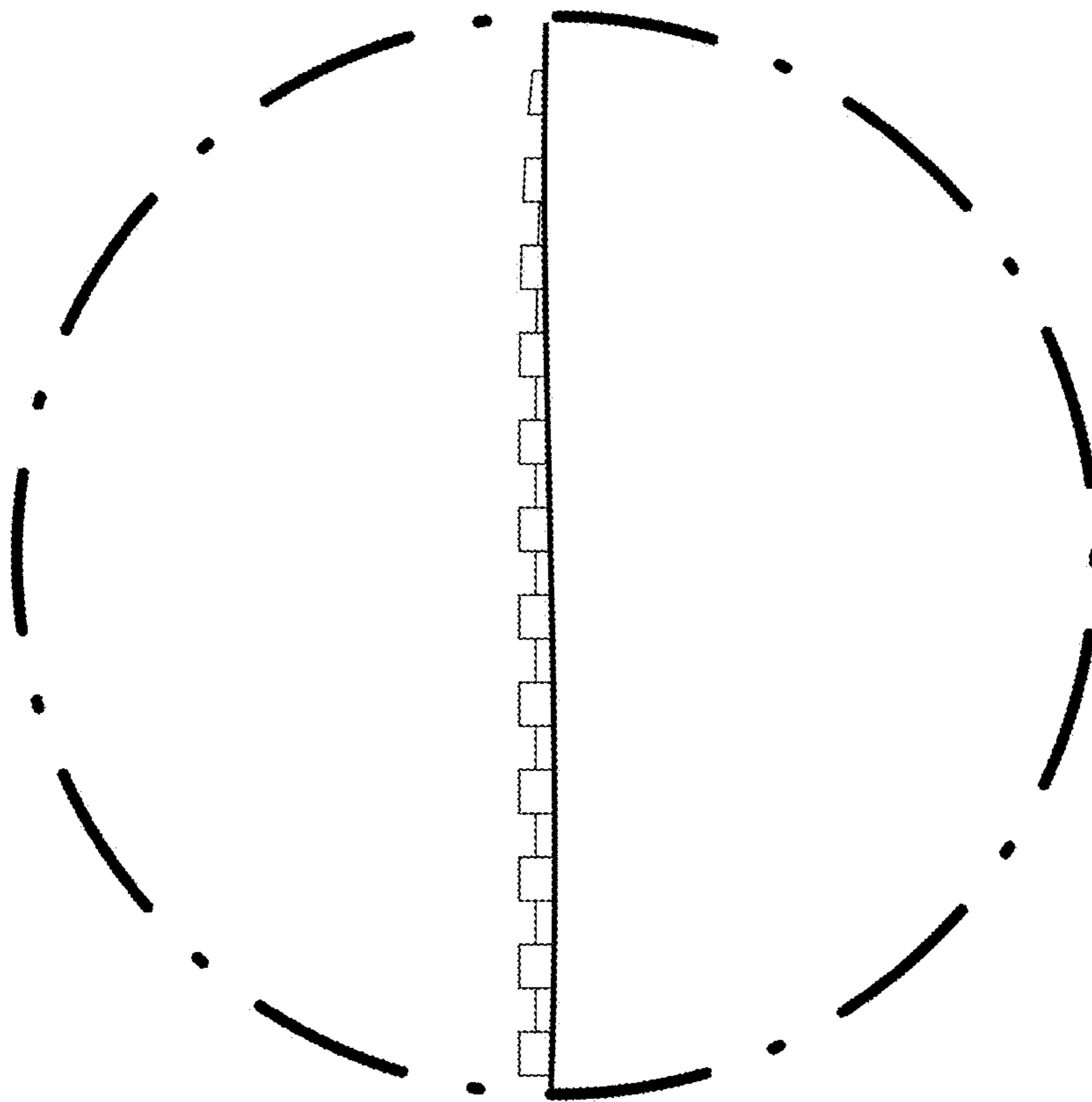


FIG. 23

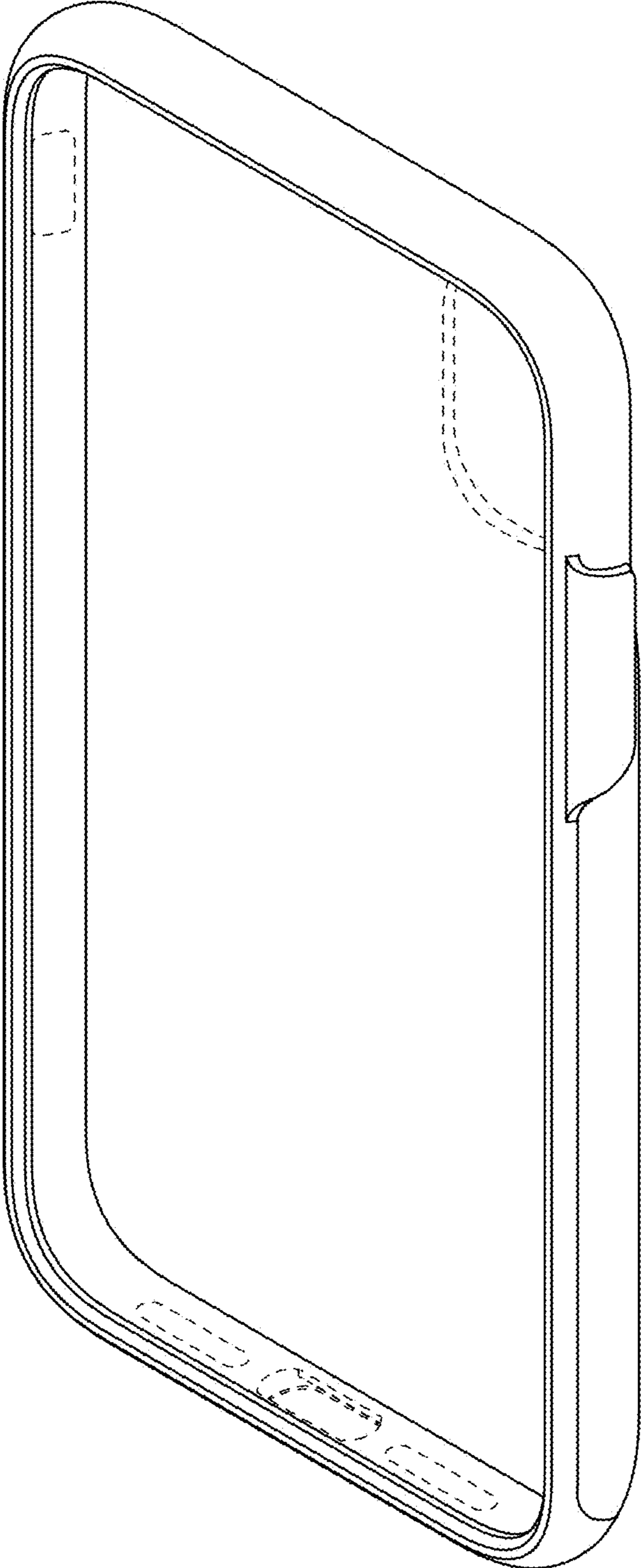


FIG. 24

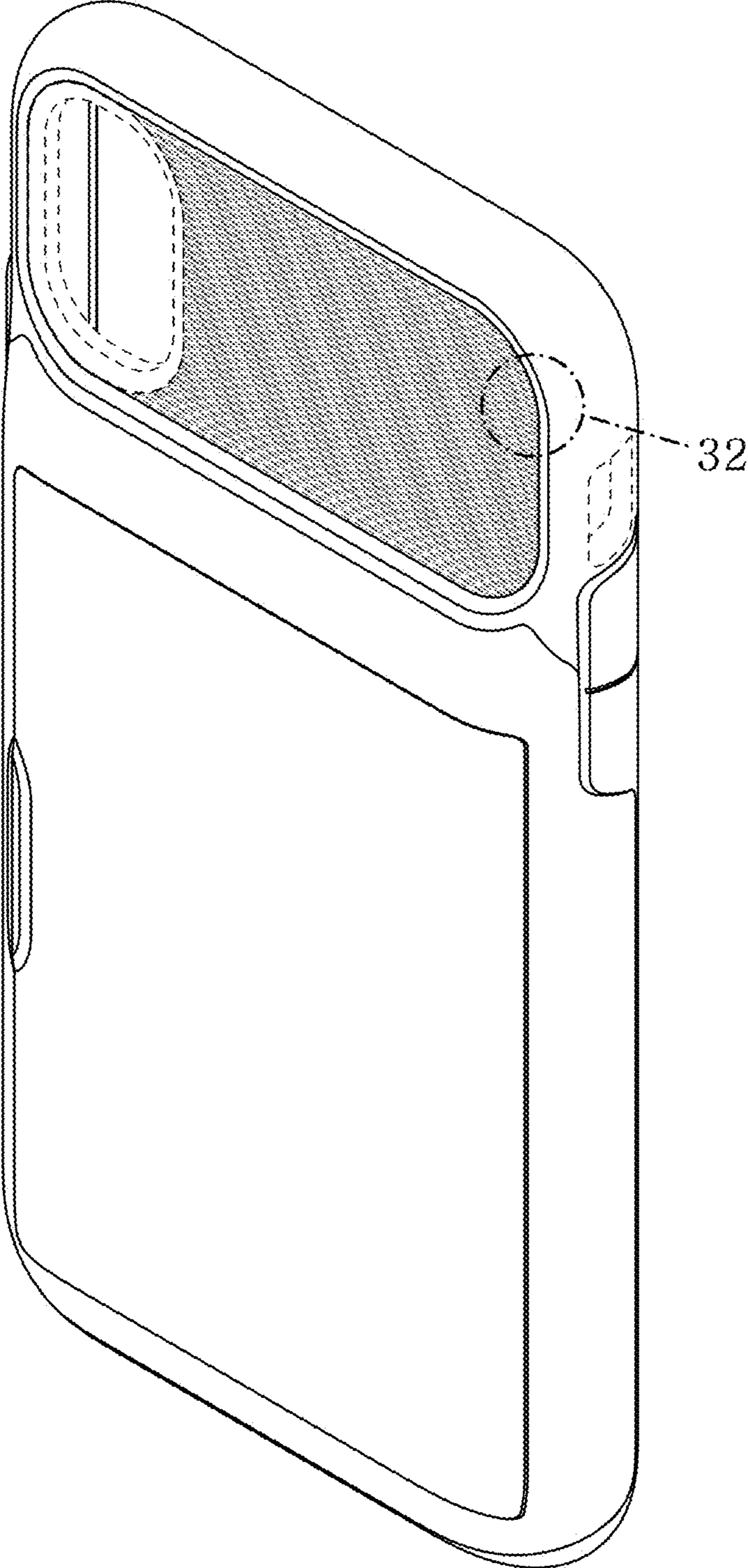


FIG. 25

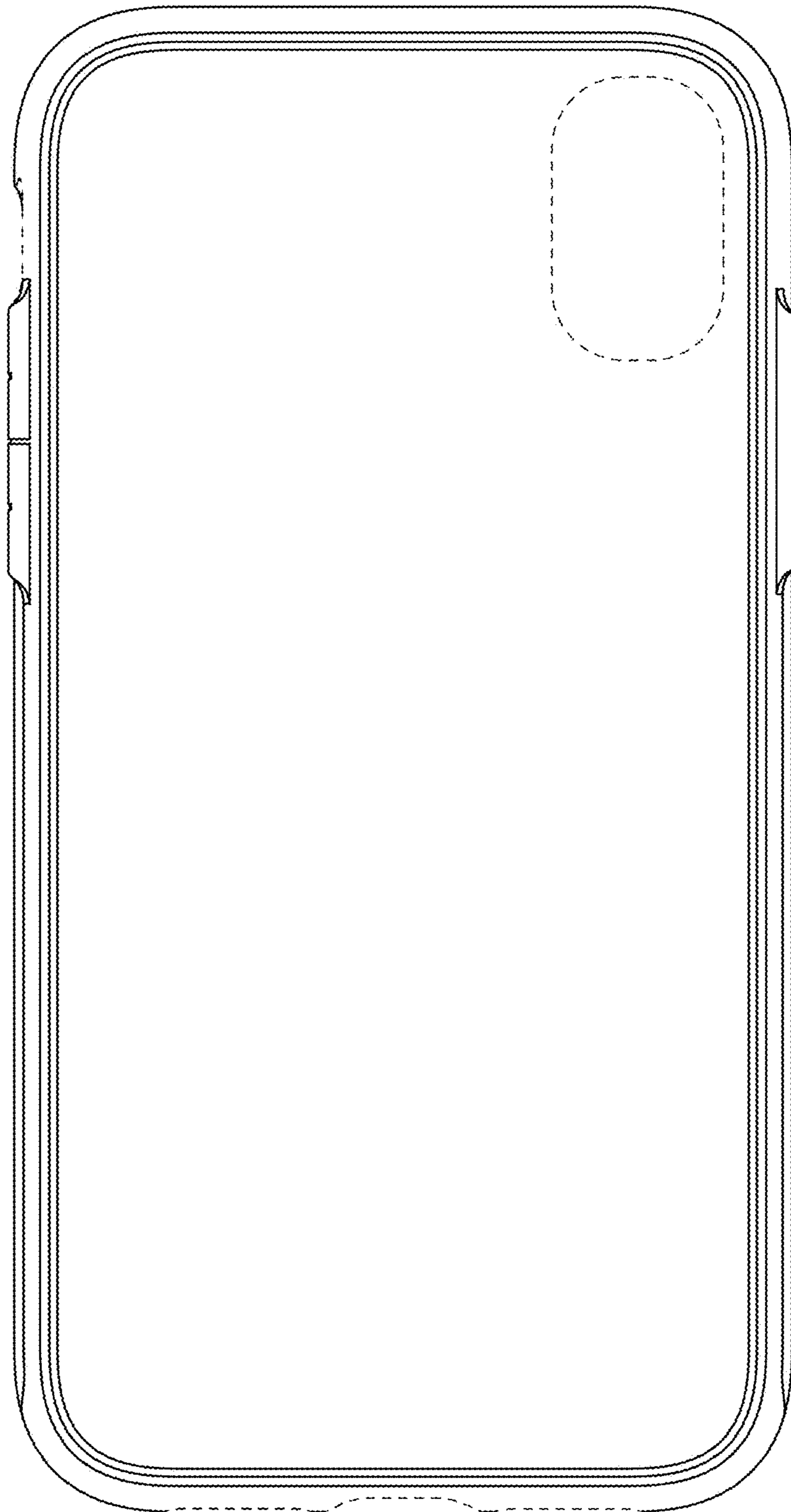


FIG. 26

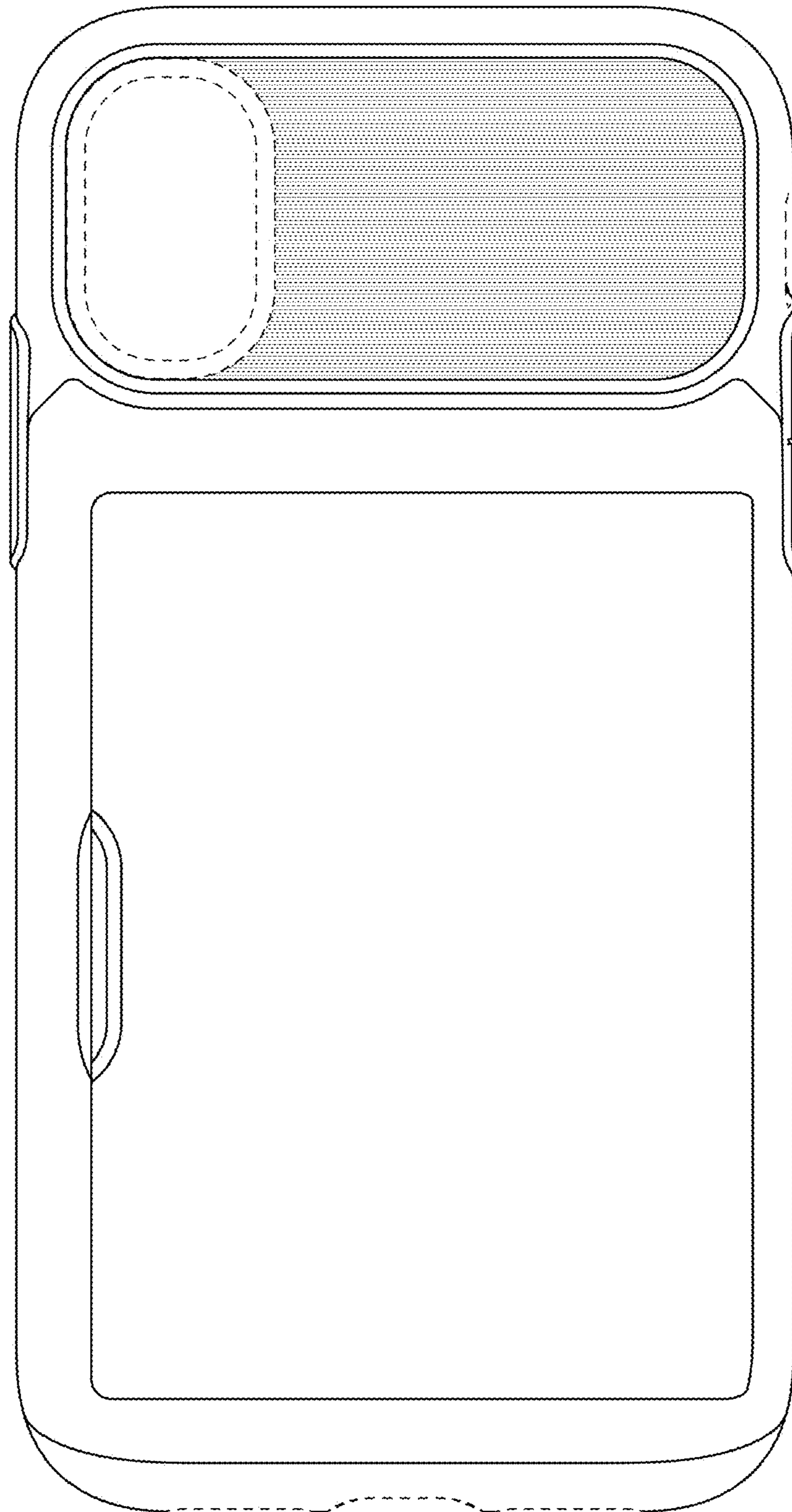


FIG. 27

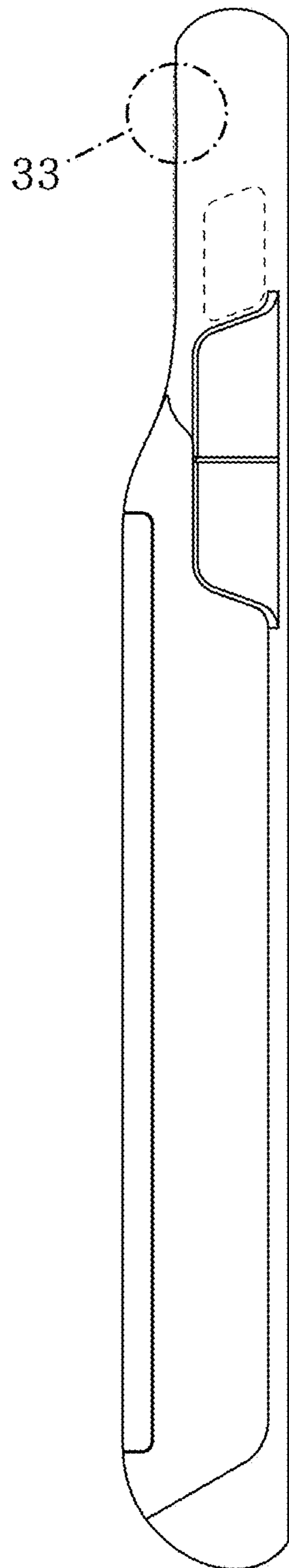


FIG. 28

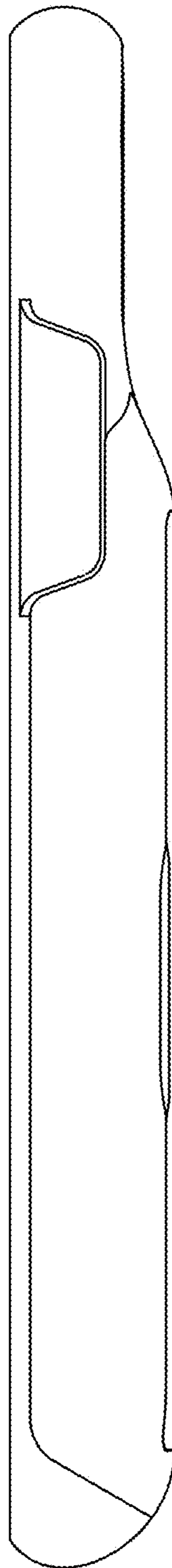


FIG. 29

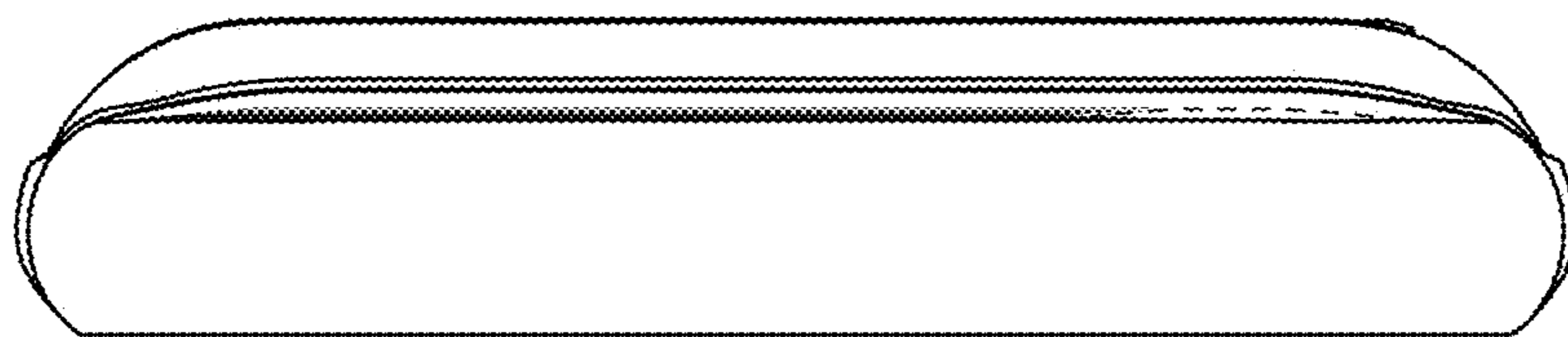


FIG. 30

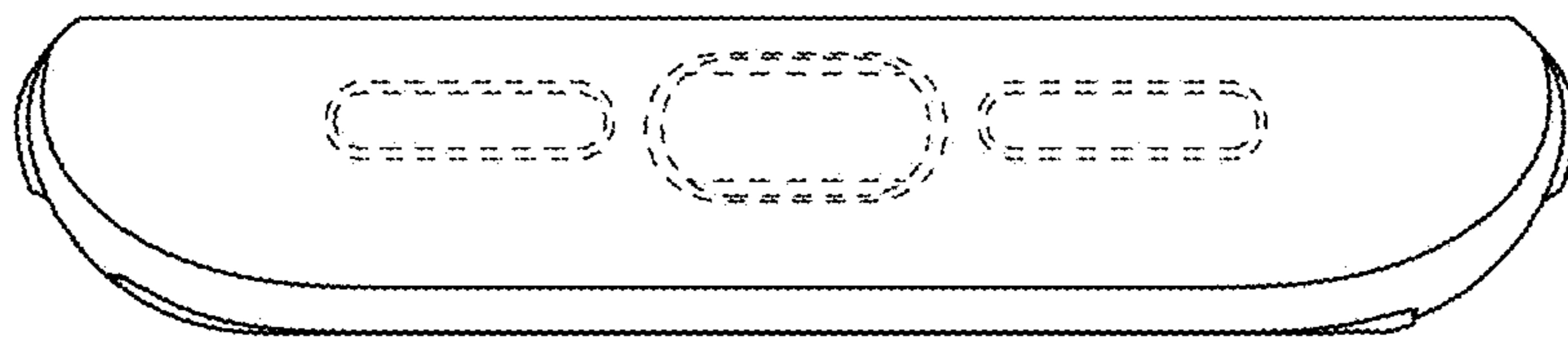


FIG. 31

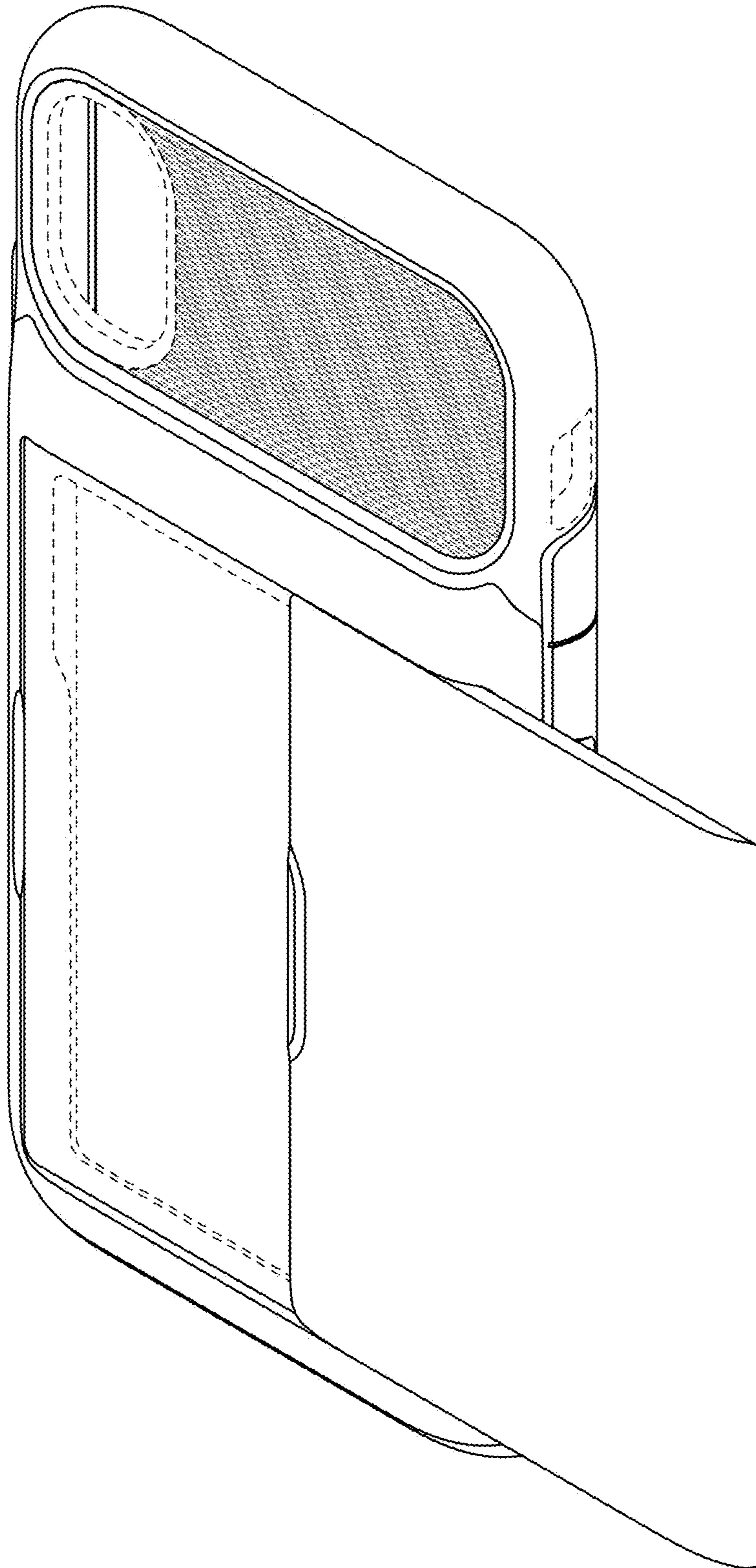


FIG. 32

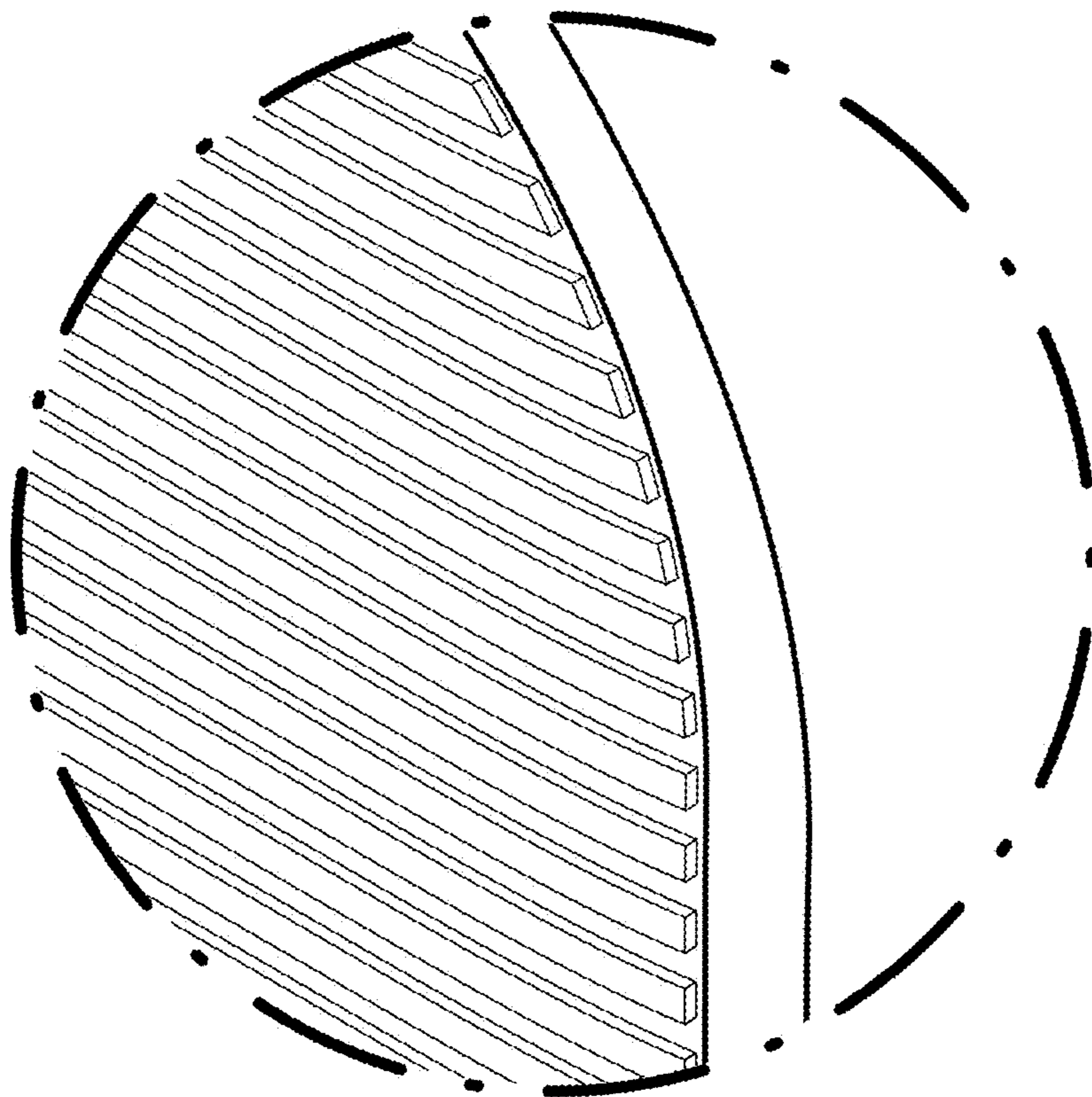


FIG. 33

