



US00D914000S

(12) **United States Design Patent** (10) **Patent No.:** **US D914,000 S**
Shu (45) **Date of Patent:** **** Mar. 23, 2021**

(54) **TV MOUNT**

D904,360 S * 12/2020 Pei D14/239
2019/0390817 A1* 12/2019 Pei F16M 11/10
2020/0340614 A1* 10/2020 Pei F16M 11/2092

(71) Applicant: **PERLE ELECTRONICS
HARDWARE (HONG KONG) CO.,
LIMITED**, Hong Kong (CN)

FOREIGN PATENT DOCUMENTS

(72) Inventor: **Hua Shu**, Hong Kong (CN)

CN 303226100 * 5/2015
CN 303276106 * 7/2015
EM 008189542-0002 * 10/2020

(73) Assignee: **PERLE ELECTRONICS
HARDWARE (HONG KONG) CO.,
LIMITED**, Hong Kong (CN)

OTHER PUBLICATIONS

(**) Term: **15 Years**

Amazon. Link: https://www.amazon.com/dp/B07YJDV1CV/ref=cm_sw_em_r_mt_dp_5g70Fb10QVEFT?_encoding=UTF8&psc=1. Oct. 10, 2019. Pipishell Full Motion TV Wall Mount. (Year: 2019).*

(21) Appl. No.: **29/745,809**

(Continued)

(22) Filed: **Aug. 10, 2020**

Primary Examiner — Lauren D McVey

(51) **LOC (13) Cl.** **14-03**

(57) **CLAIM**

(52) **U.S. Cl.**
USPC **D14/239**

The ornamental design for a TV mount, as shown and described.

(58) **Field of Classification Search**
USPC D8/355, 363, 373; D6/672, 682
CPC F16M 11/2085; F16M 11/2092; F16M
11/2007; F16M 11/2014; F16M 11/2021;
F16M 11/105; F16M 11/10; F16M
11/048; F16M 11/12; F16M 13/022
See application file for complete search history.

DESCRIPTION

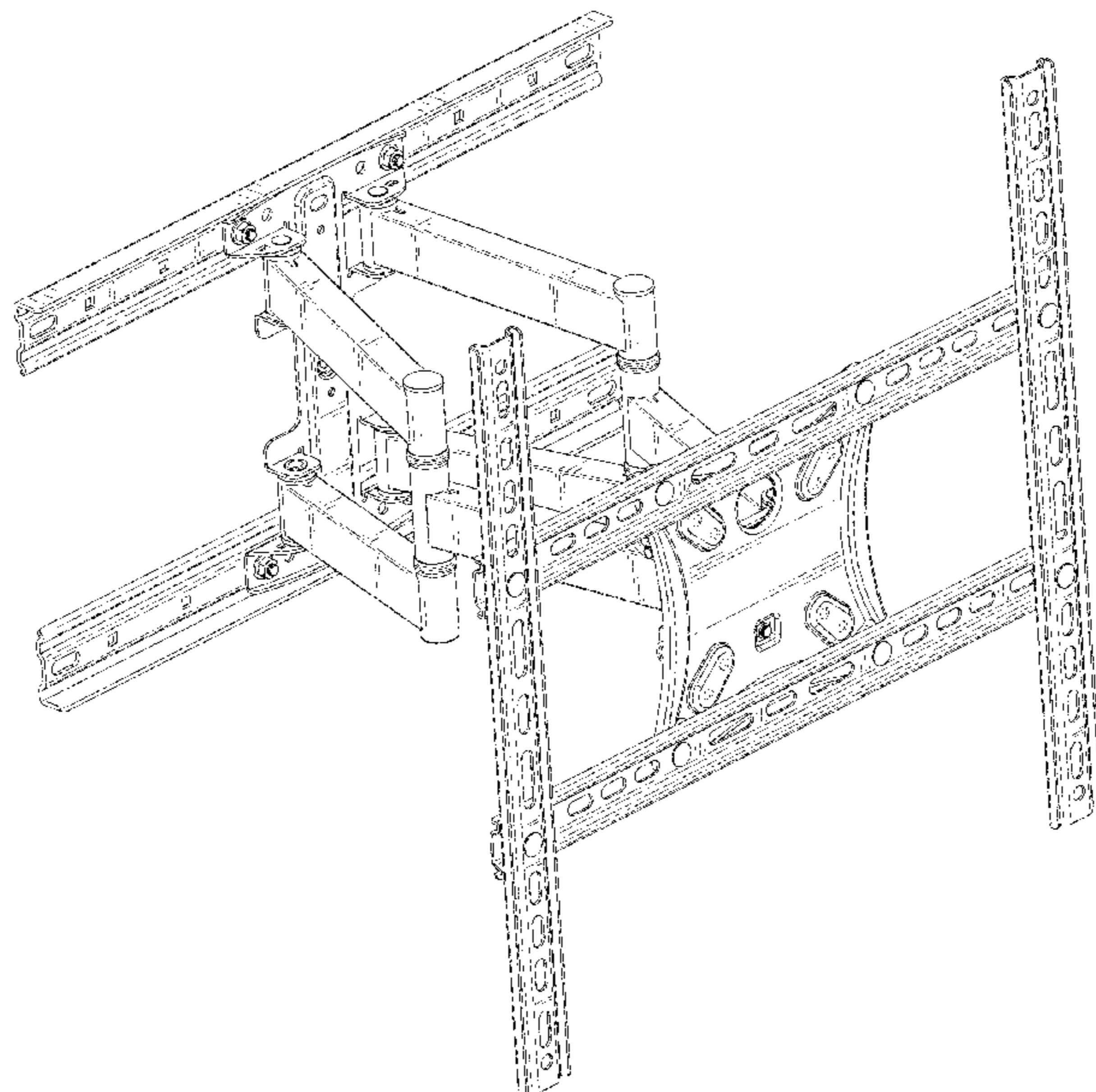
(56) **References Cited**

U.S. PATENT DOCUMENTS

D539,128 S * 3/2007 Ly Hau D8/373
D650,373 S * 12/2011 Stemple D14/239
D811,375 S * 2/2018 Pei D14/239
D811,376 S * 2/2018 Pei D14/239
D836,617 S * 12/2018 Shu D14/239
D842,283 S * 3/2019 Pei D14/239
D848,989 S * 5/2019 Pei D14/239
D852,790 S 7/2019 Pei
D858,493 S 9/2019 Pei
D888,027 S * 6/2020 Pei D14/239

FIG. 1 is a perspective view of a TV mount showing my new design;
FIG. 2 is another perspective view thereof;
FIG. 3 is a front elevational view thereof;
FIG. 4 is a rear elevational view thereof;
FIG. 5 is a left side elevational view thereof;
FIG. 6 is a right side elevational view thereof;
FIG. 7 is a top plan view thereof;
FIG. 8 is a bottom plan view thereof; and,
FIG. 9 is a perspective view of the TV mount where the TV mount is in a folded state.
The broken lines in the drawings depict portions of the TV mount that form no part of the claimed design. The wire frame lines shown throughout the views indicate surface contour.

1 Claim, 9 Drawing Sheets



(56)

References Cited

OTHER PUBLICATIONS

Amazon. Link: https://www.amazon.com/dp/B0825134GT/ref=cm_sw_em_r_mt_dp_OXRTFbXZYKPCZ?_encoding=UTF8&psc=1. Nov. 29, 2019. Perlesmith Full Motion TV Wall Mount. (Year: 2019).*

Alibaba. Link: https://www.alibaba.com/product-detail/High-quality-heavy-duty-full-motion_1600083888720.html?spm=a2700.details.deiletai6.3.2a0d313esgYVRe. Visited Nov. 19, 2020. High quality heavy TV wall mounting bracket. (Year: 2020).*

Alibaba. Link: https://www.alibaba.com/product-detail/heavyduty-articulate-full-motion-tilt-swivel_62247040903.html?spm=a2700.galleryofferlist.normal_offer.d_image.4109536d5YtlaX. Visited Nov. 19, 2020. heavyduty articulate full motion tilt&swivel rotate TV wall mount bracket. (Year: 2020).*

* cited by examiner

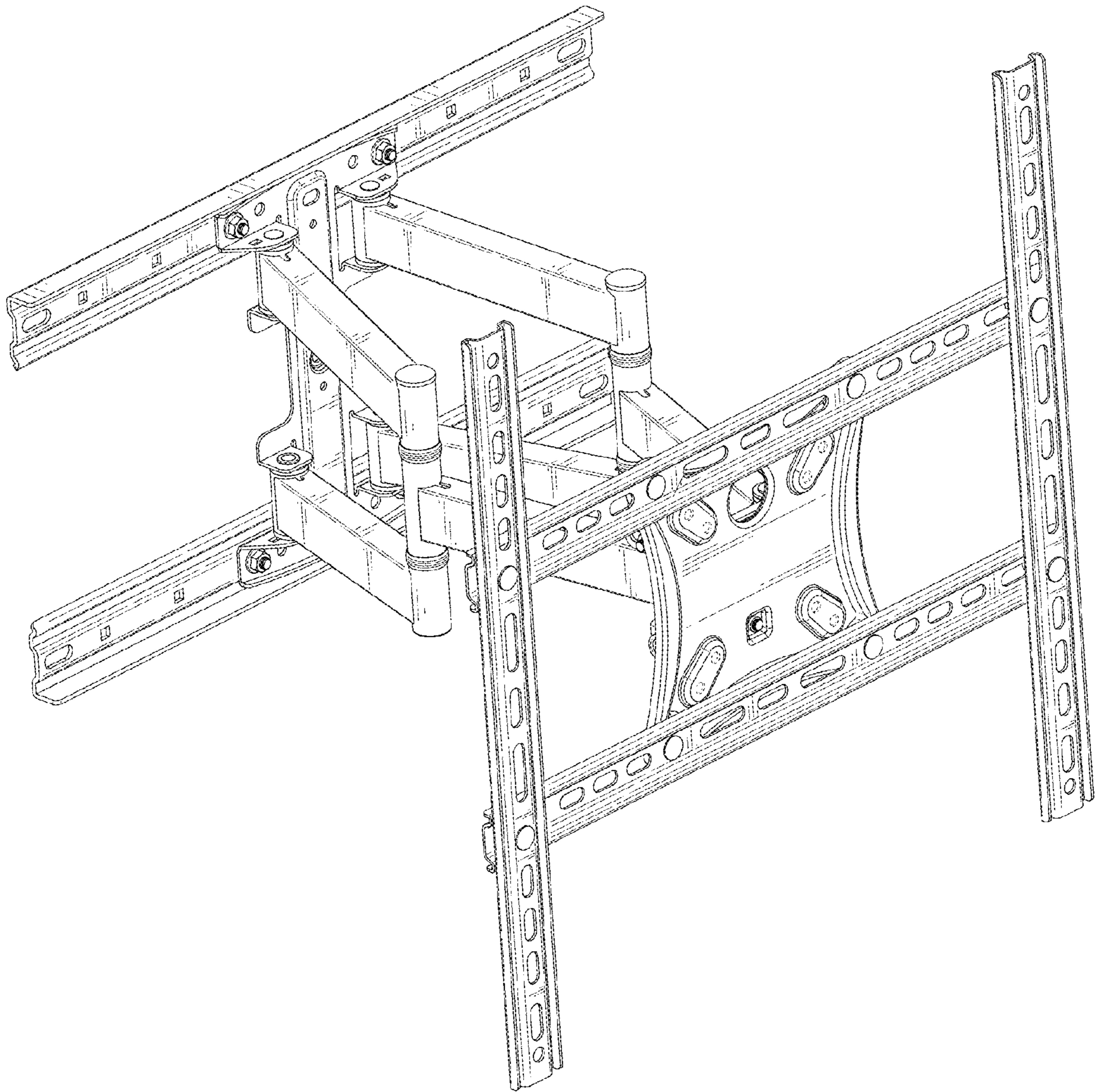


FIG. 1

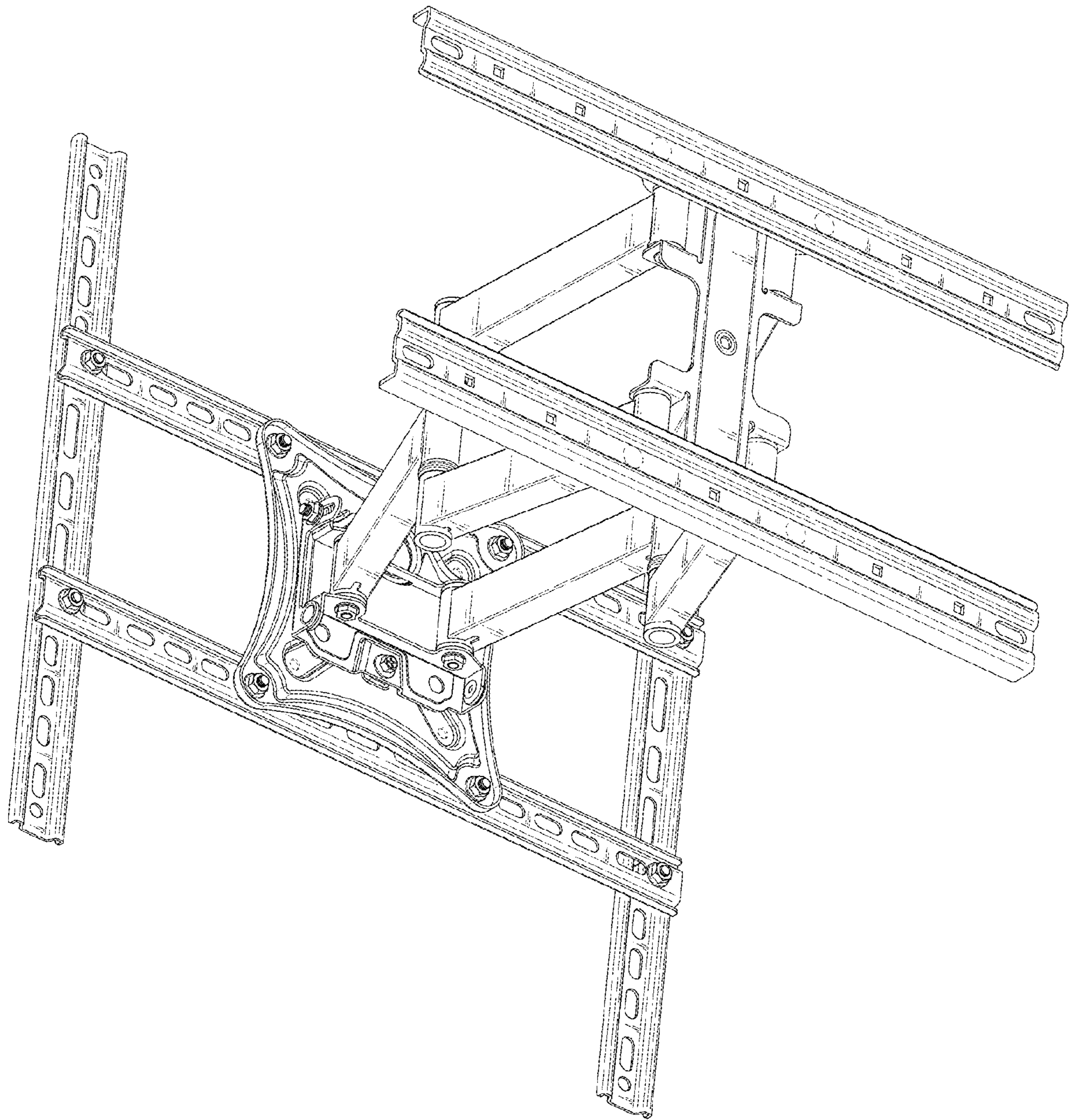


FIG. 2

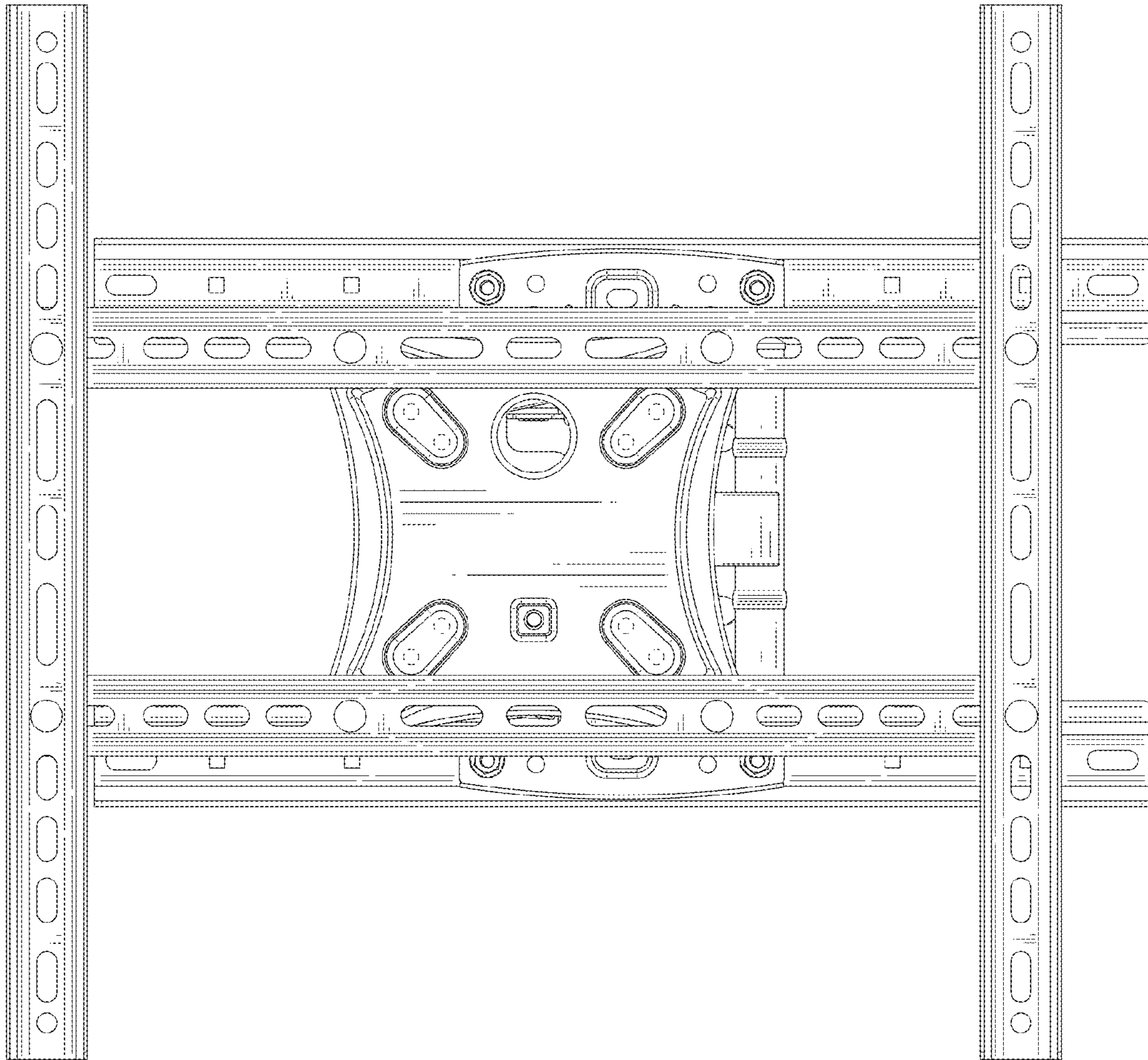


FIG. 3

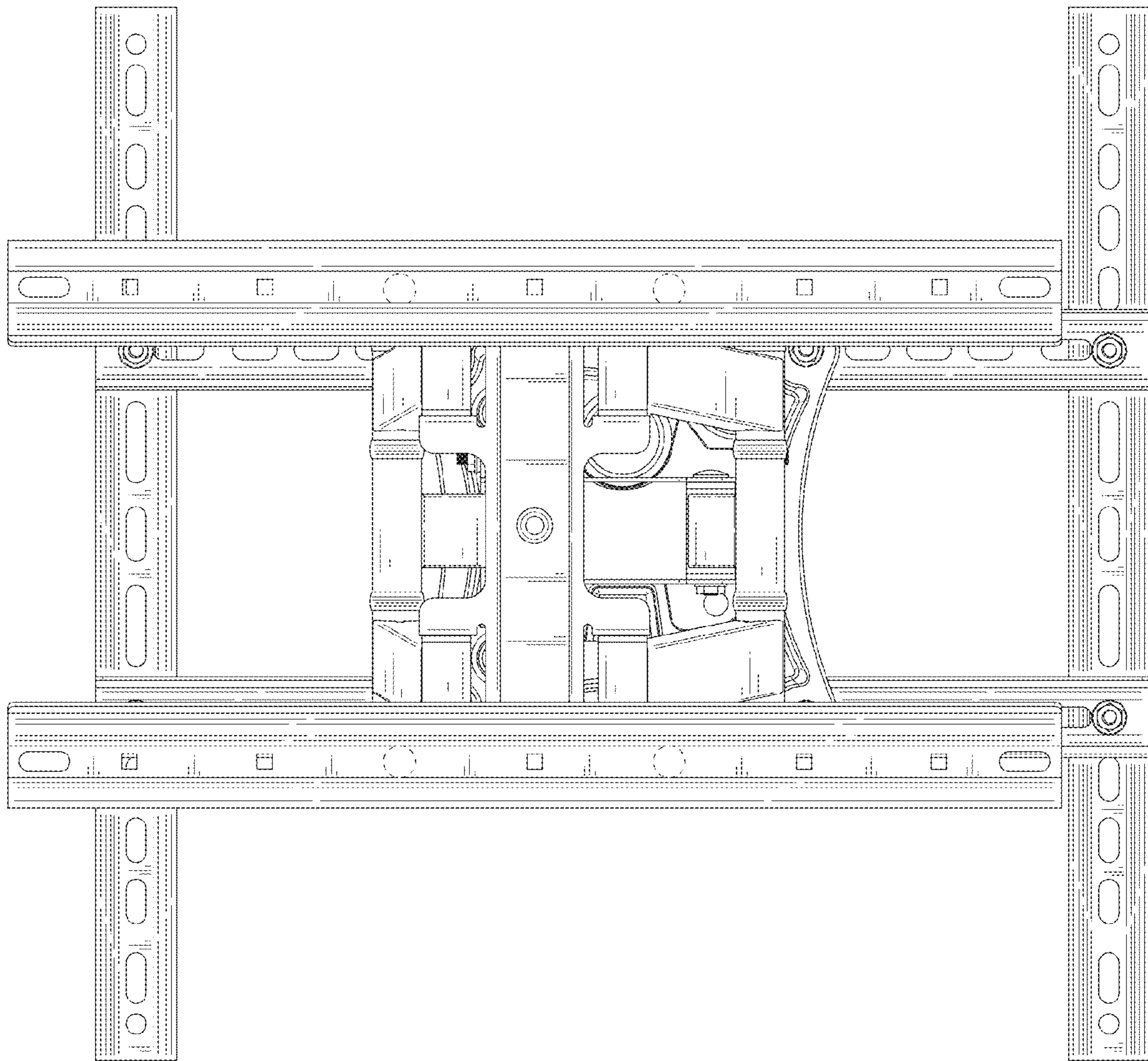


FIG. 4

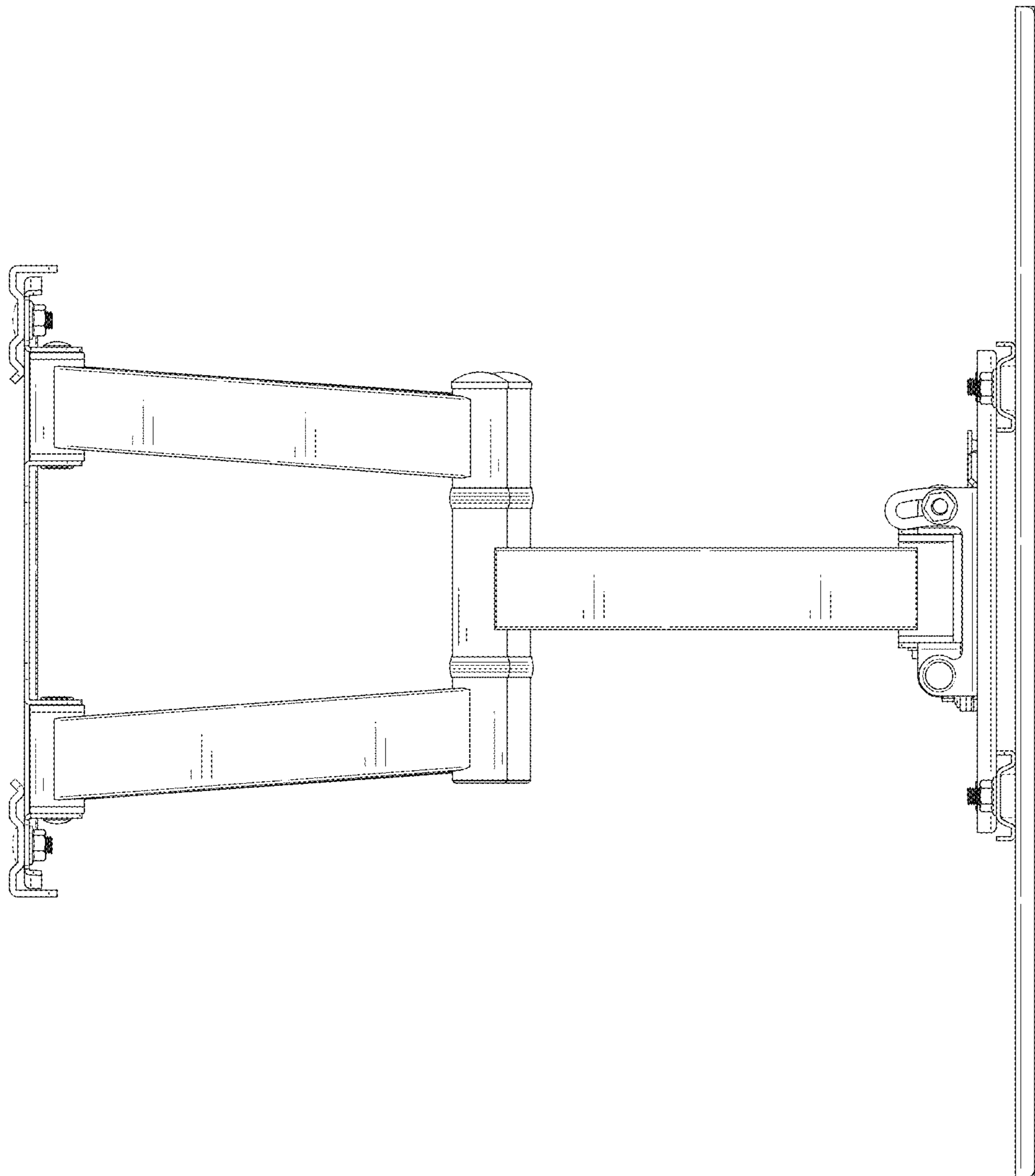


FIG. 5

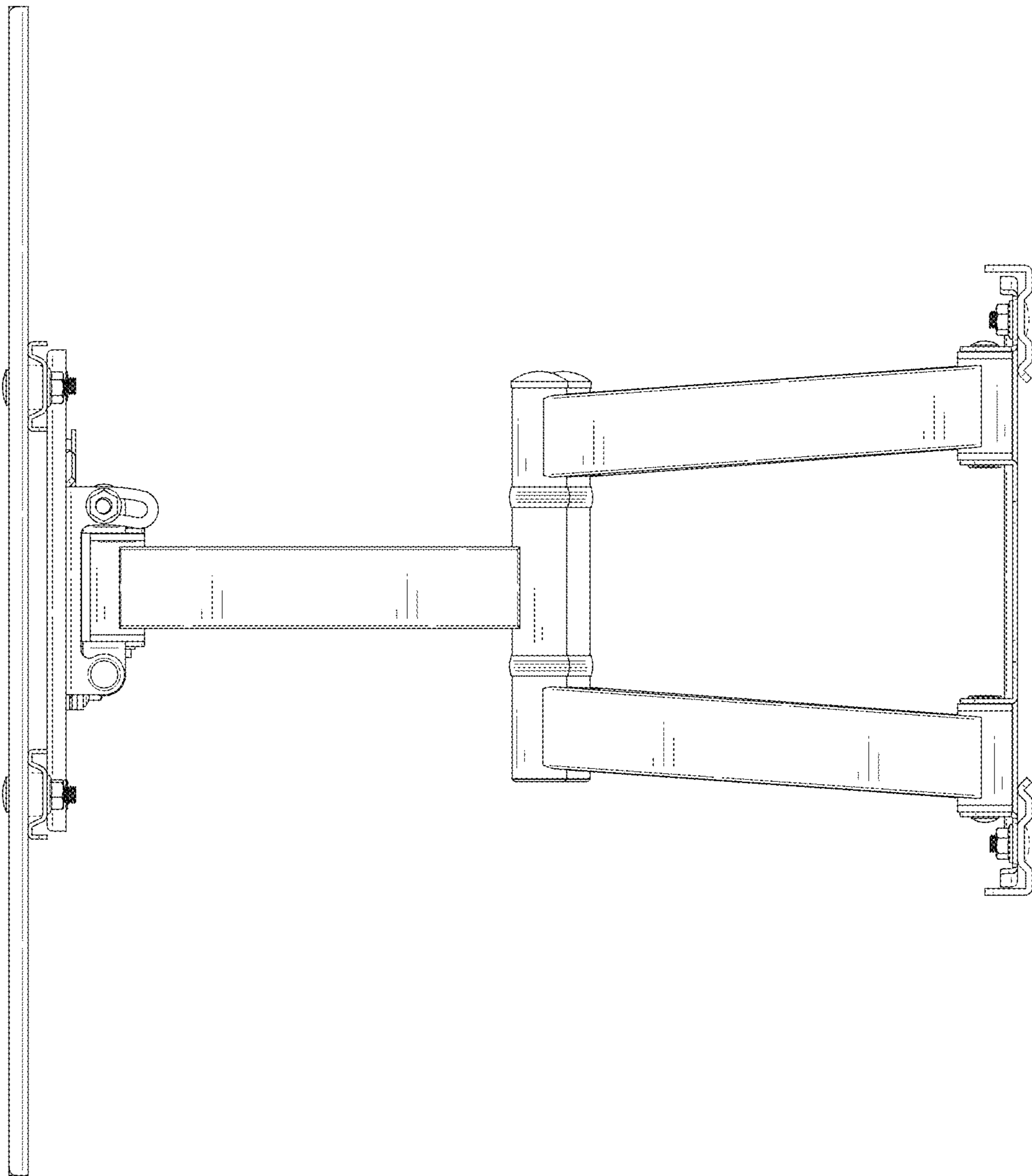


FIG. 6

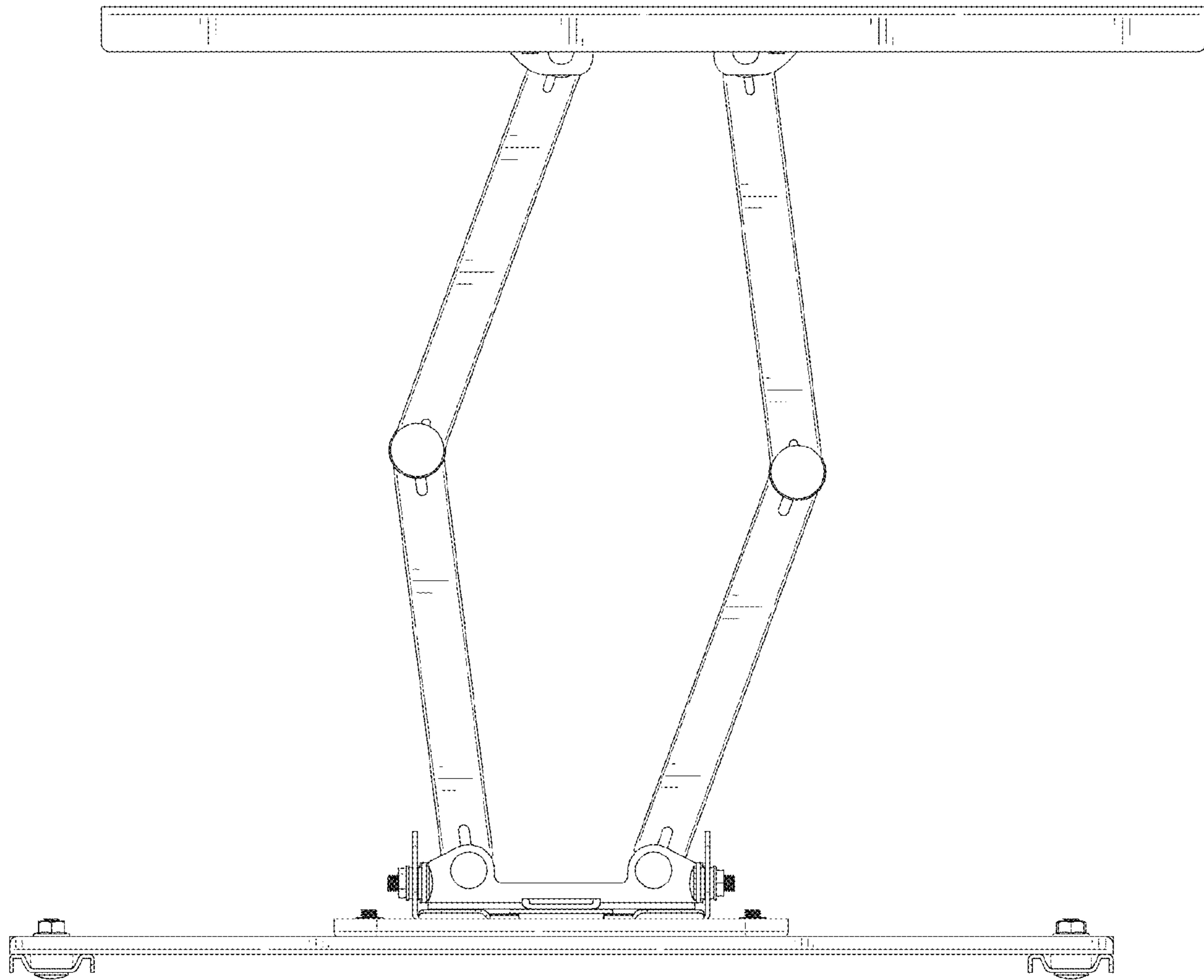


FIG. 7

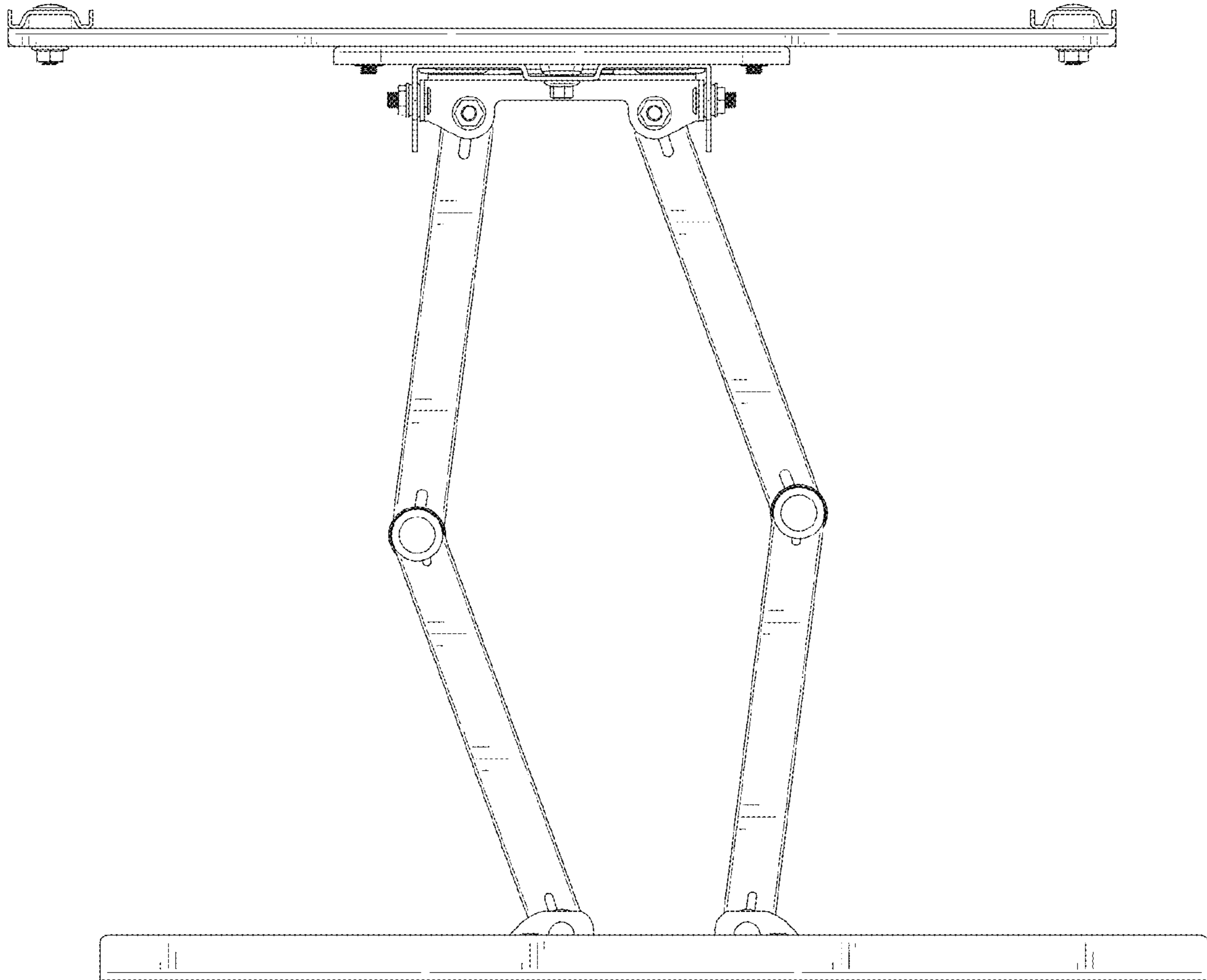


FIG. 8

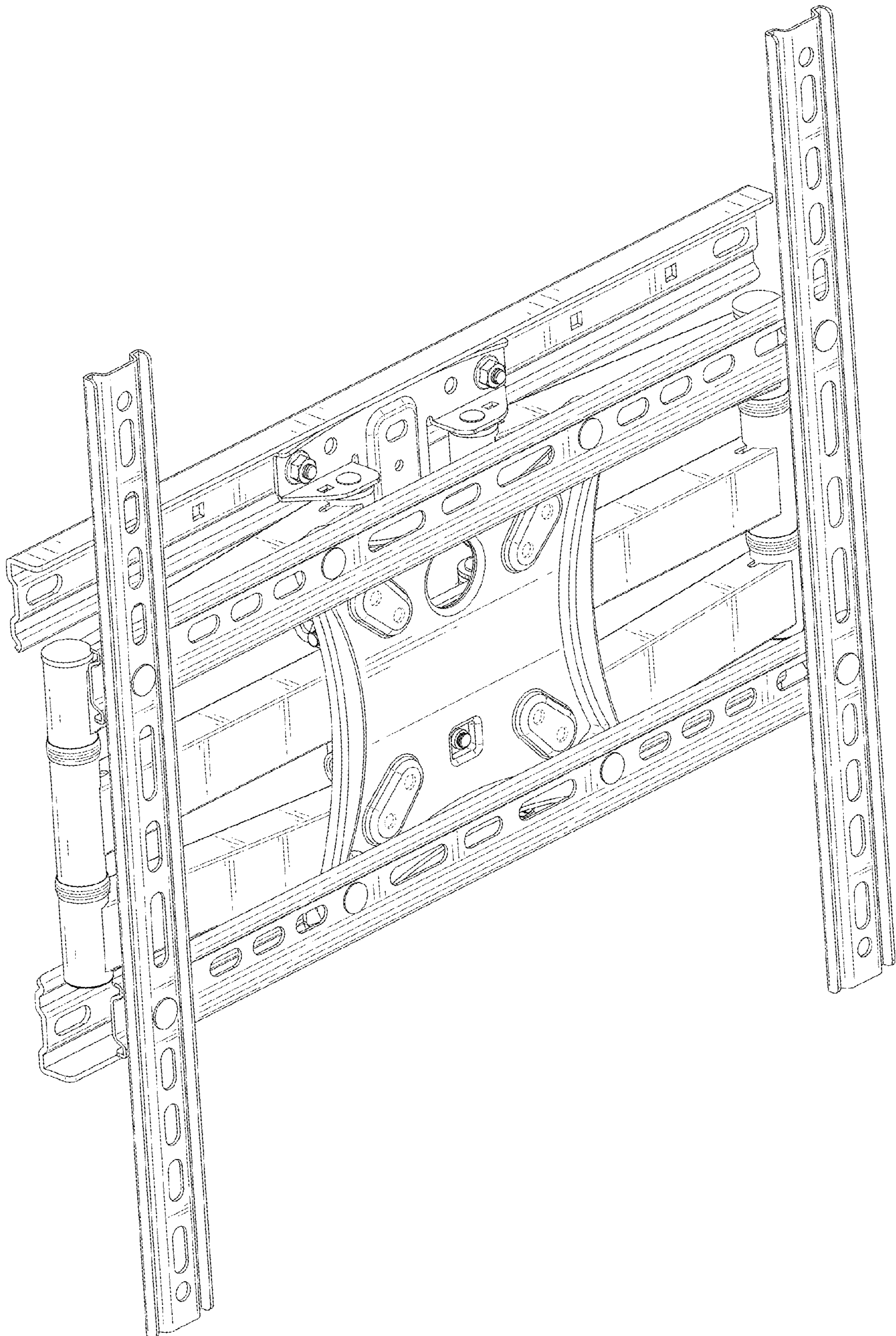


FIG. 9