



US00D913999S

(12) **United States Design Patent** (10) **Patent No.:** **US D913,999 S**
Pei (45) **Date of Patent:** **** Mar. 23, 2021**

(54) **MOBILE STAND FOR DISPLAY DEVICE**

(71) Applicant: **Xu Bo Pei**, Shenzhen (CN)

(72) Inventor: **Xu Bo Pei**, Shenzhen (CN)

(**) Term: **15 Years**

(21) Appl. No.: **29/721,379**

(22) Filed: **Jan. 21, 2020**

(30) **Foreign Application Priority Data**

Nov. 30, 2019 (CN) 201930666562.3

(51) **LOC (13) Cl.** **14-03**

(52) **U.S. Cl.**
USPC **D14/239**

(58) **Field of Classification Search**
USPC D14/371-382, 125-129, 336, 337,
D14/447-452, 492, 335, 239, 457,
D14/439-441, 432, 251-253; D8/349,
D8/354, 363, 373, 376, 380; D21/333;
D12/415; D3/218; 348/180, 184, 325,
348/739, 825; D6/343, 349, 681, 681.2,
D6/685, 692.6

CPC G06F 3/0412; G06F 3/016; G06F 3/0488;
G06F 3/011; G06F 3/038; G06F 3/03543;
G06F 3/0338; G06F 3/0202; G06F
3/0219; G06F 3/0213; G06F 1/1616;
G06F 3/023; G06F 3/04883; G02F
1/13338; G02F 1/1313; G02F 1/1333;
G02F 1/135; G02F 1/132; G02F
1/133308; G02F 1/134309; G02F
1/13718; G09G 3/3648; B41J 2/465;
G06K 15/1252; G03F 7/70291; G02B
27/0172; G02B 5/30; G02B 2027/0118;
G02B 27/0101; A47B 21/0314; A47B
88/044; A47B 2021/0335; F16B 47/00;
F16B 47/006; F16M 13/02; F16M 13/00;
F16M 11/10; F16M 11/04; F16M
2200/08; F16M 11/2021; H02G 3/126;
A47G 1/17; A47K 2201/00

See application file for complete search history.

(56) **References Cited**

U.S. PATENT DOCUMENTS

3,336,682	A	*	8/1967	Genin	B43L 1/008
						434/416
D304,528	S	*	11/1989	Handler	D6/681.1
D466,331	S	*	12/2002	Chang	D6/681.1
D470,685	S	*	2/2003	Chang	D6/681.1
D543,382	S	*	5/2007	Glassenberg	D6/678.4
D615,072	S	*	5/2010	Saitou	D14/239
D671,170	S	*	11/2012	Udagawa	D19/114
D753,940	S	*	4/2016	Ruiz	D6/681
D820,818	S	*	6/2018	Heckler	D14/239
D821,371	S	*	6/2018	Heckler	D14/239
D847,127	S	*	4/2019	Ostensen	D14/239
D874,449	S	*	2/2020	Ahrens	D14/239
D896,192	S	*	9/2020	Ren	D13/184

* cited by examiner

Primary Examiner — Katie Jane Stofko

(74) *Attorney, Agent, or Firm* — JCIPRNET

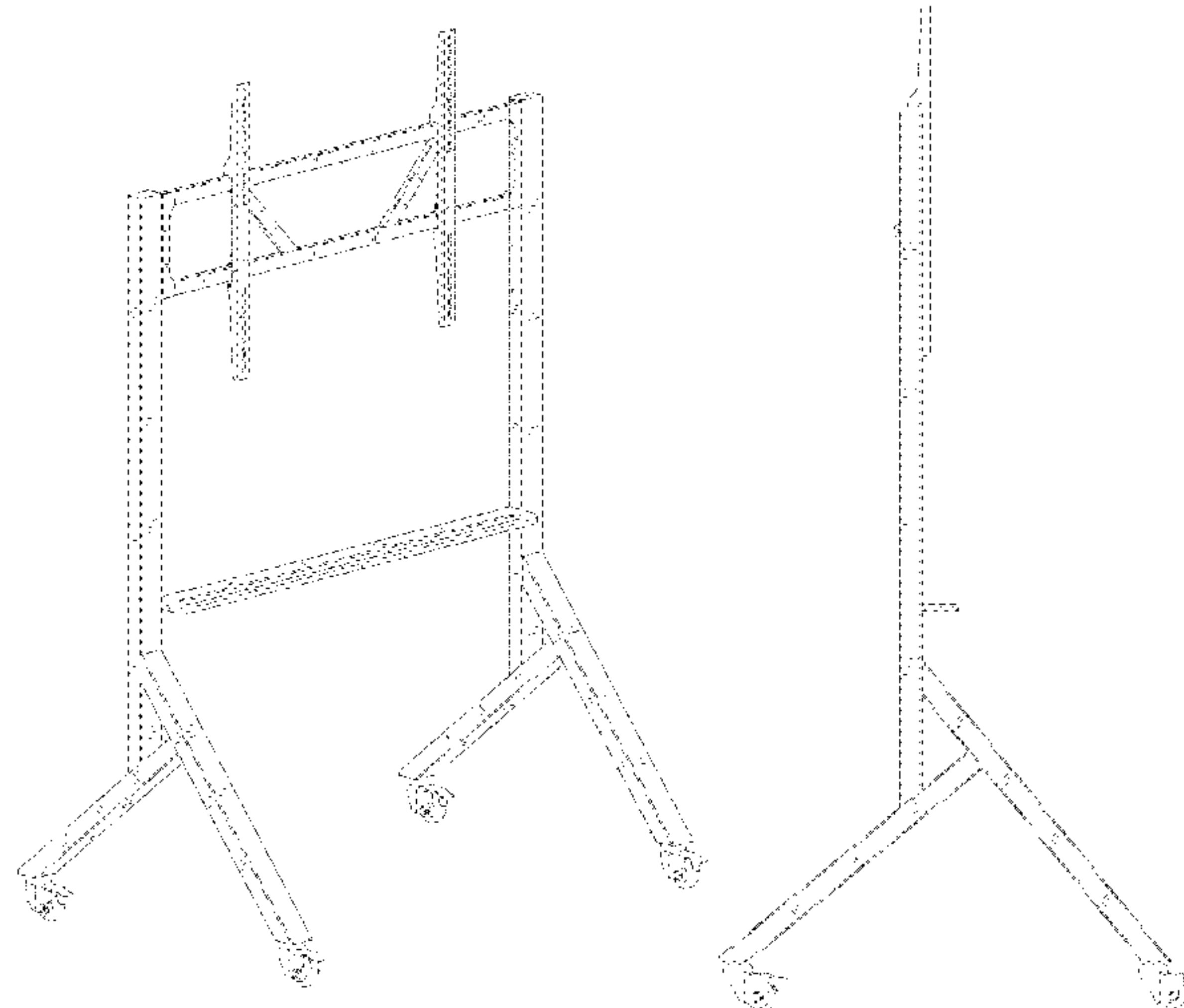
(57) **CLAIM**

The ornamental design for a mobile stand for display device, as shown and described.

DESCRIPTION

FIG. 1 is a perspective view of a mobile stand for display device showing my new design;
FIG. 2 is another perspective view thereof;
FIG. 3 is a front view thereof;
FIG. 4 is a rear view thereof;
FIG. 5 is a right side view thereof;
FIG. 6 is a left side view thereof;
FIG. 7 is a top view thereof; and,
FIG. 8 is a bottom view thereof.
The broken lines shown in FIGS. 1-8 illustrate portions of the mobile stand for display device that form no part of the claimed design.

1 Claim, 8 Drawing Sheets



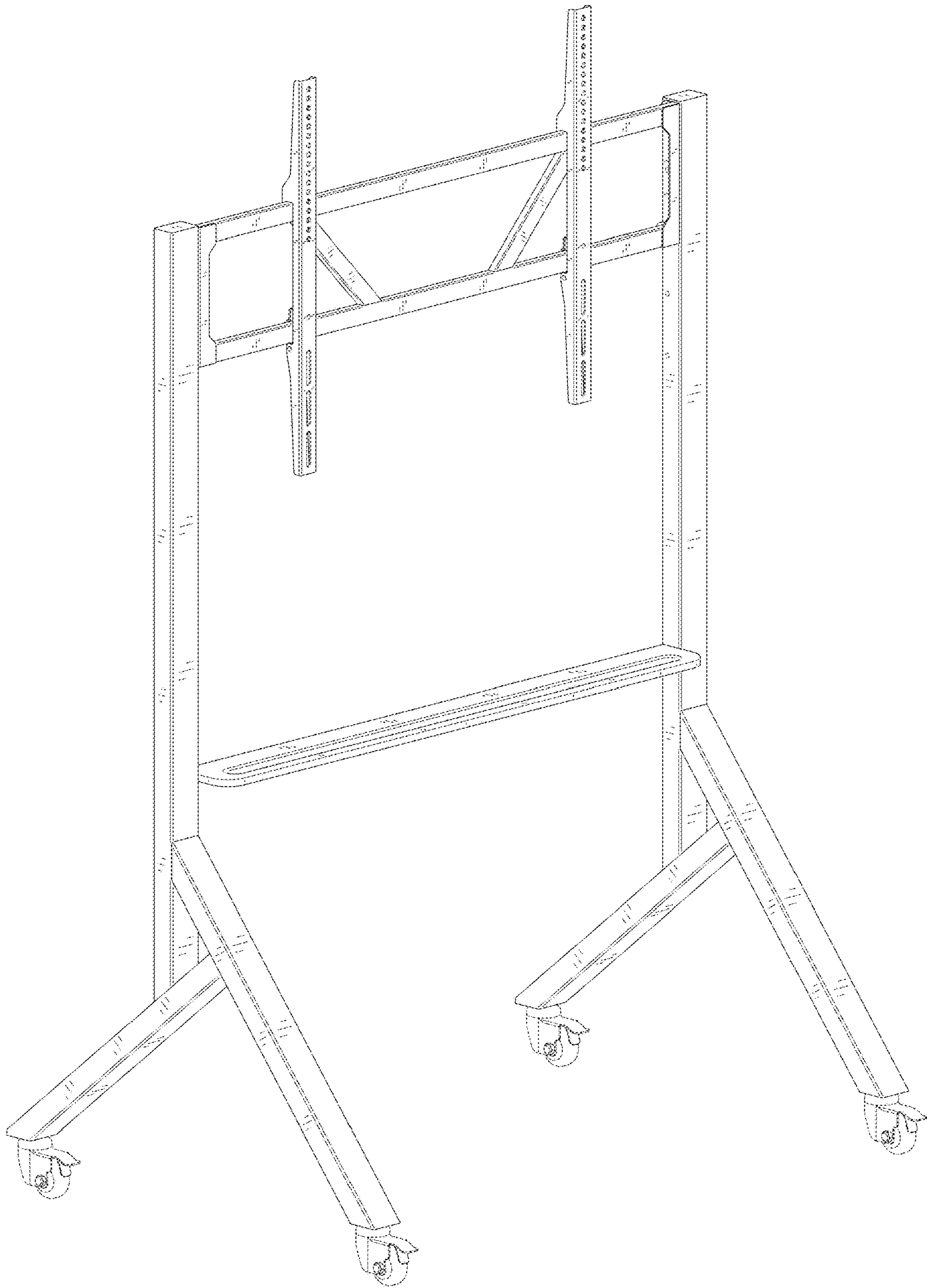


FIG. 1

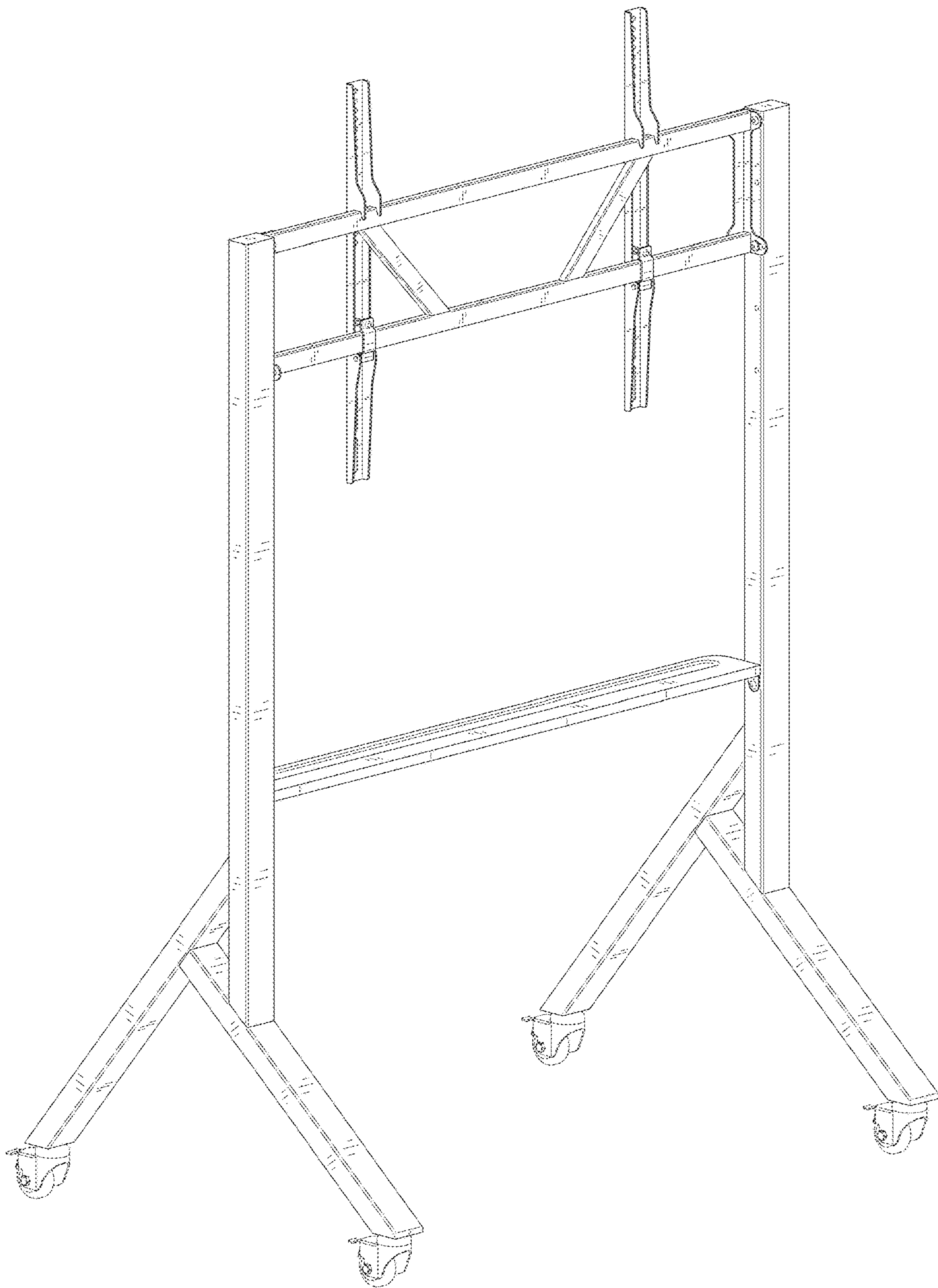


FIG. 2

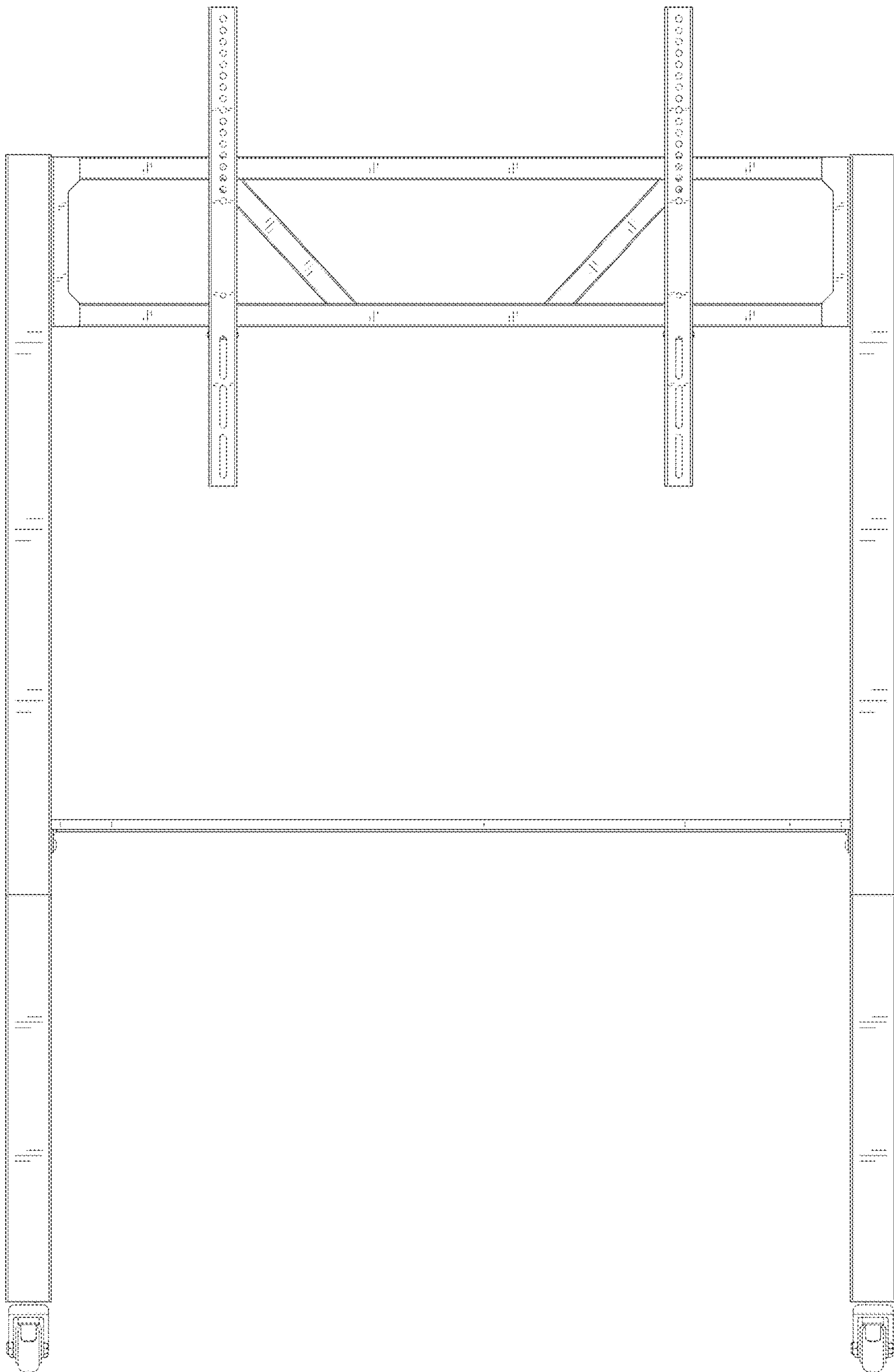


FIG. 3

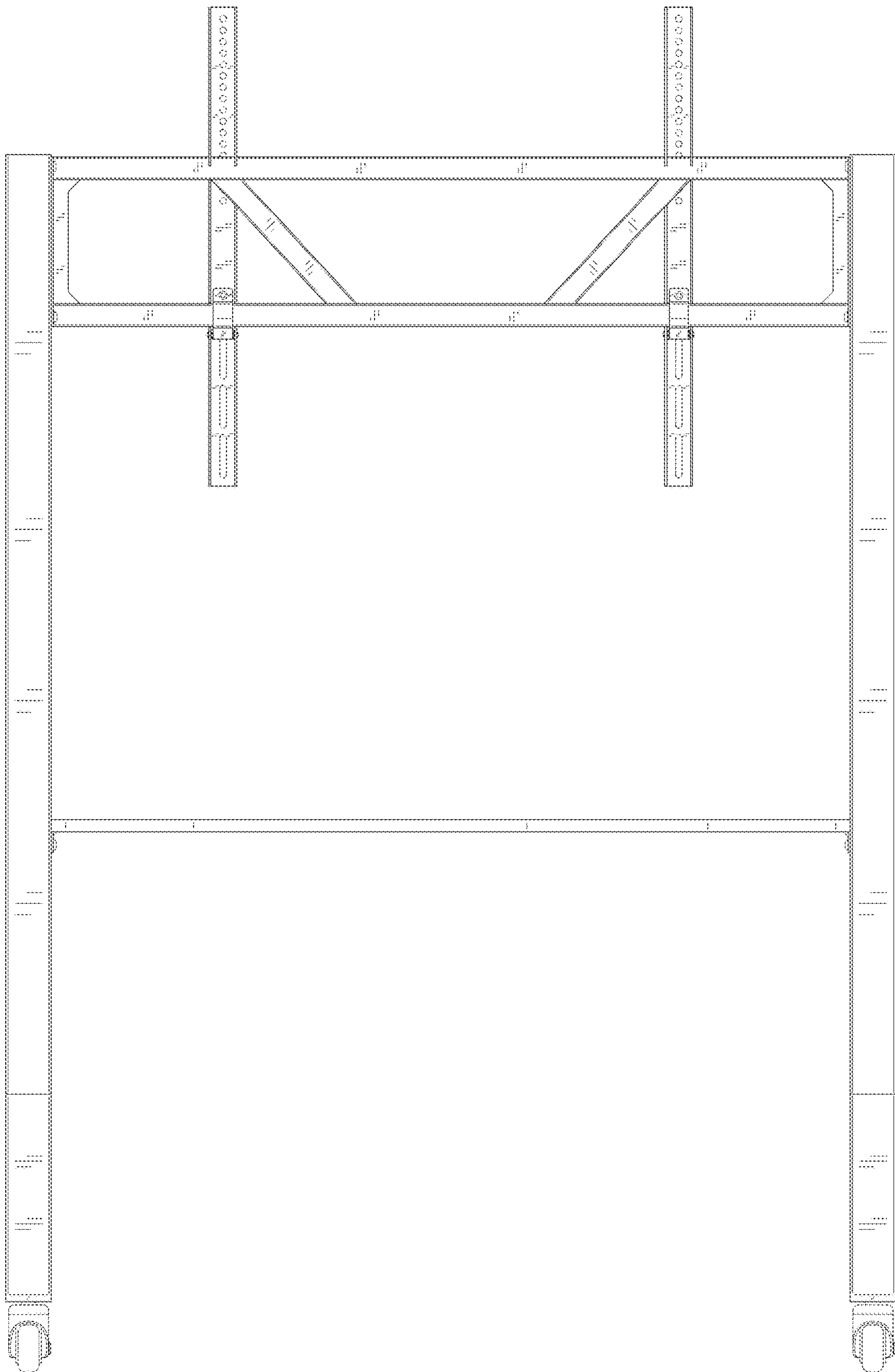


FIG. 4

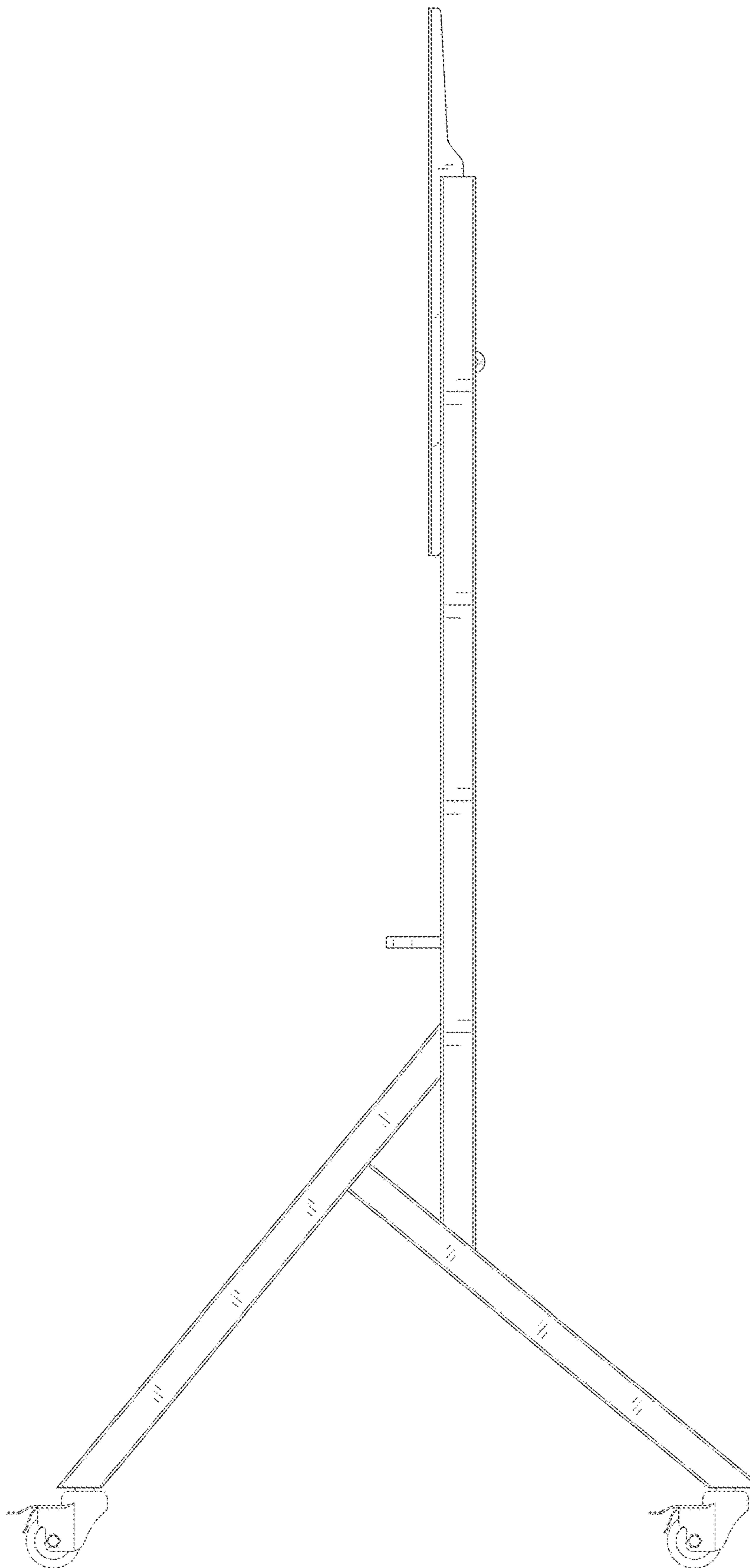


FIG. 5

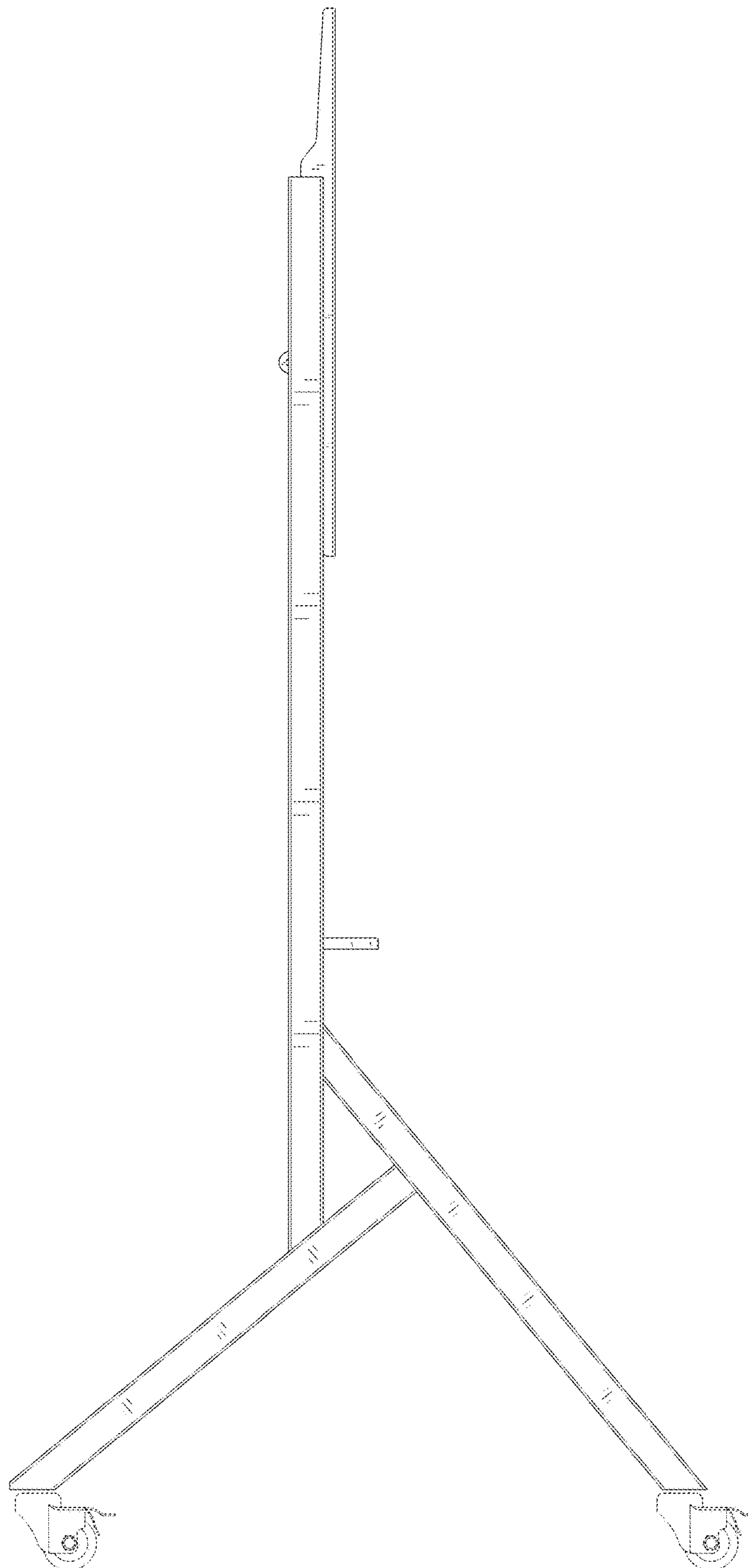


FIG. 6

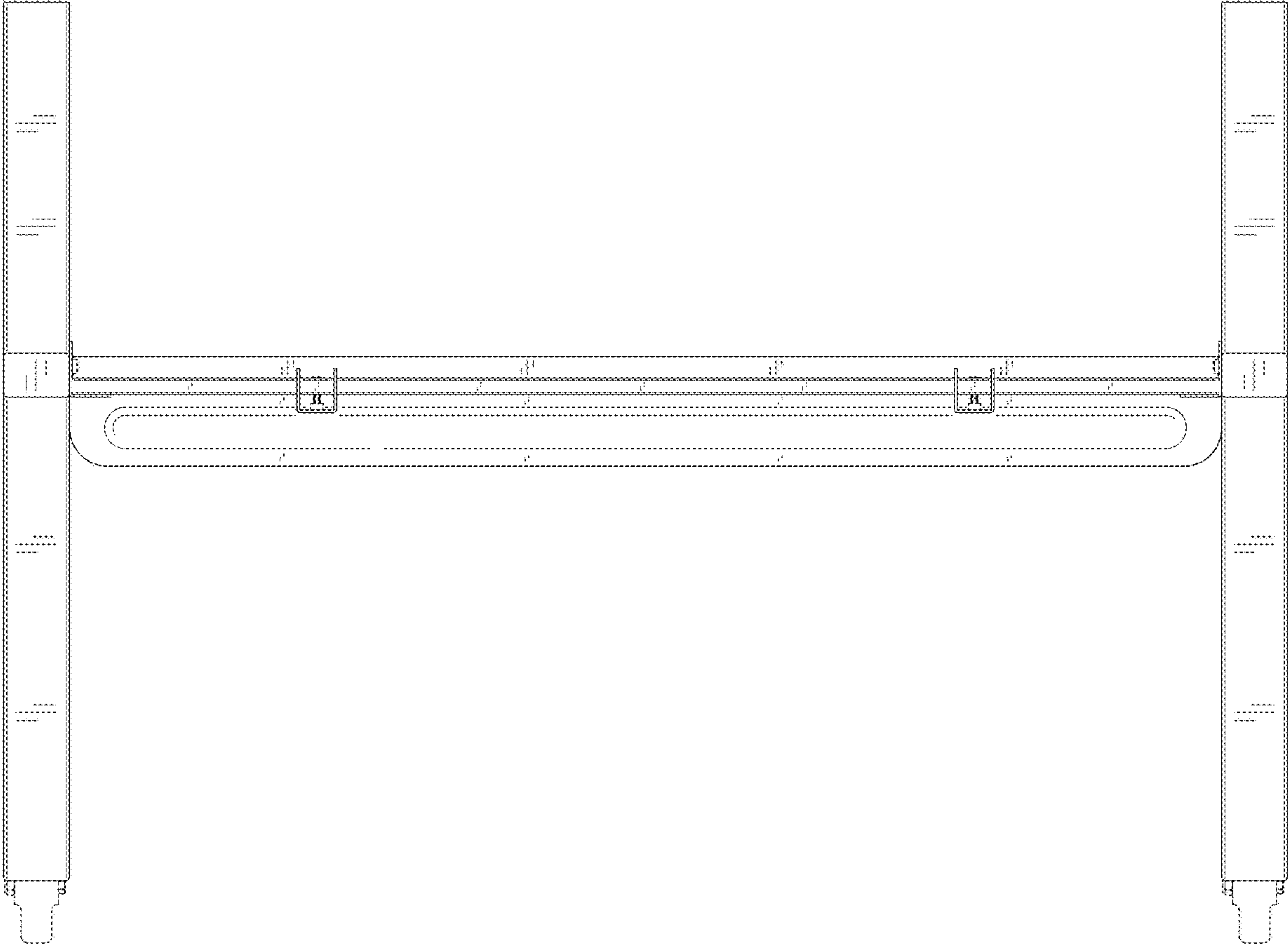


FIG. 7

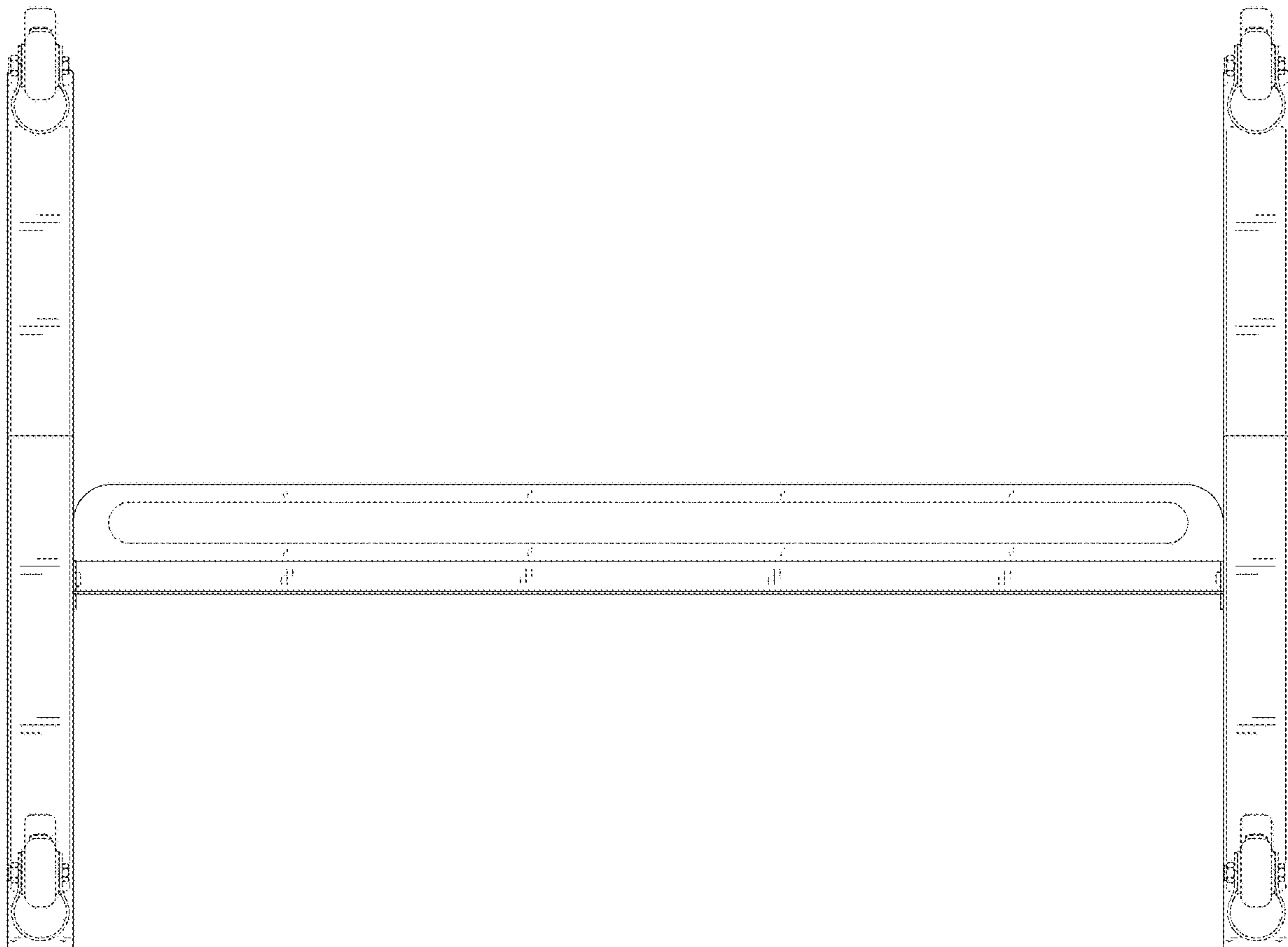


FIG. 8