



US00D913997S

(12) **United States Design Patent**
Kang et al.

(10) **Patent No.:** **US D913,997 S**
(45) **Date of Patent:** **** Mar. 23, 2021**

(54) **BRACKET FOR AN ANTENNA**
(71) Applicant: **KMW INC.**, Hwaseong-si (KR)
(72) Inventors: **Seong Man Kang**, Hwaseong-si (KR);
Hyoung Seok Yang, Hwaseong-si (KR); **In Ho Kim**, Yongin-si (KR); **Dae Myung Park**, Hwaseong-si (KR); **Su Yong Lee**, Seoul (KR)

(73) Assignee: **KMW INC.**, Hwaseong-si (KR)

(**) Term: **15 Years**

(21) Appl. No.: **29/720,952**

(22) Filed: **Jan. 16, 2020**

(30) **Foreign Application Priority Data**

Jul. 16, 2019 (KR) 30-2019-0034027

(51) **LOC (13) Cl.** **14-03**

(52) **U.S. Cl.**
USPC **D14/238**

(58) **Field of Classification Search**
USPC D14/230-238, 354, 299, 358; D8/349,
D8/350, 352, 354, 353, 356, 373, 376,
D8/380

CPC H01Q 1/12; H01Q 1/125
See application file for complete search history.

(56) **References Cited**

U.S. PATENT DOCUMENTS

D253,392 S * 11/1979 Baltare D8/354
6,222,504 B1 * 4/2001 Oby H01Q 1/1228
343/890

6,243,044 B1 * 6/2001 Scott H01Q 1/1235
248/237
D519,992 S * 5/2006 McAnally D14/238
D578,521 S * 10/2008 Sergi D14/238
D604,281 S * 11/2009 Kang D14/238
D605,184 S * 12/2009 Merial D14/238
D643,026 S * 8/2011 Podduturi D14/238
D754,522 S * 4/2016 Wicken D8/349
D839,077 S * 1/2019 Rassat D8/349
D876,203 S * 2/2020 Riner D8/354
D900,593 S * 11/2020 McKillips D8/354

* cited by examiner

Primary Examiner — Keli L Hill

Assistant Examiner — Harold E Blackwell, II

(57) **CLAIM**

We claim the ornamental design for the bracket for an antenna, as shown and described.

DESCRIPTION

FIG. 1 is a perspective view of a bracket for an antenna showing our new design;
FIG. 2 is a front view thereof;
FIG. 3 is a rear view thereof;
FIG. 4 is a left-side view thereof;
FIG. 5 is a right-side view thereof;
FIG. 6 is a top view thereof; and,
FIG. 7 is a bottom view thereof.

1 Claim, 7 Drawing Sheets

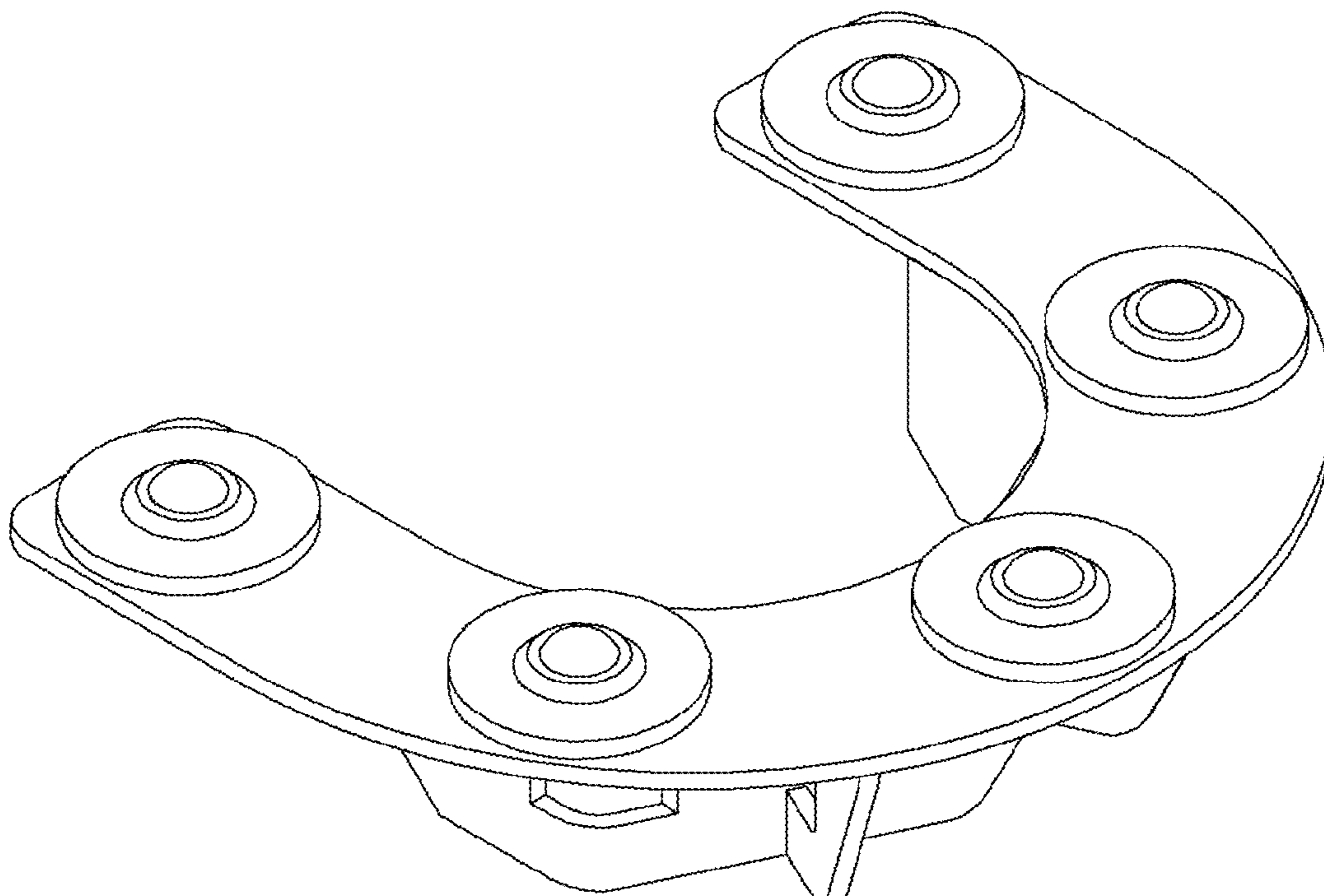


FIG. 1

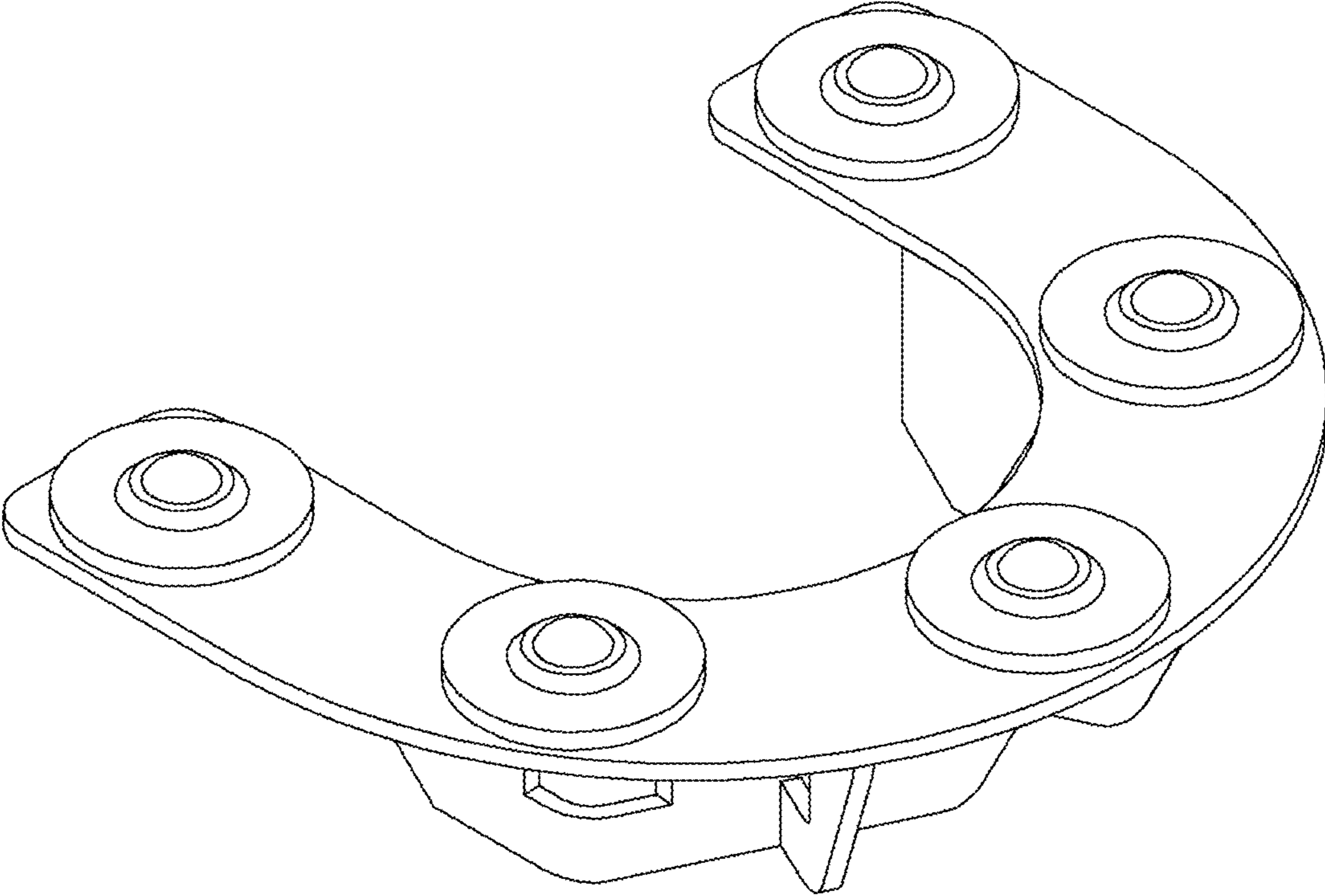


FIG. 2

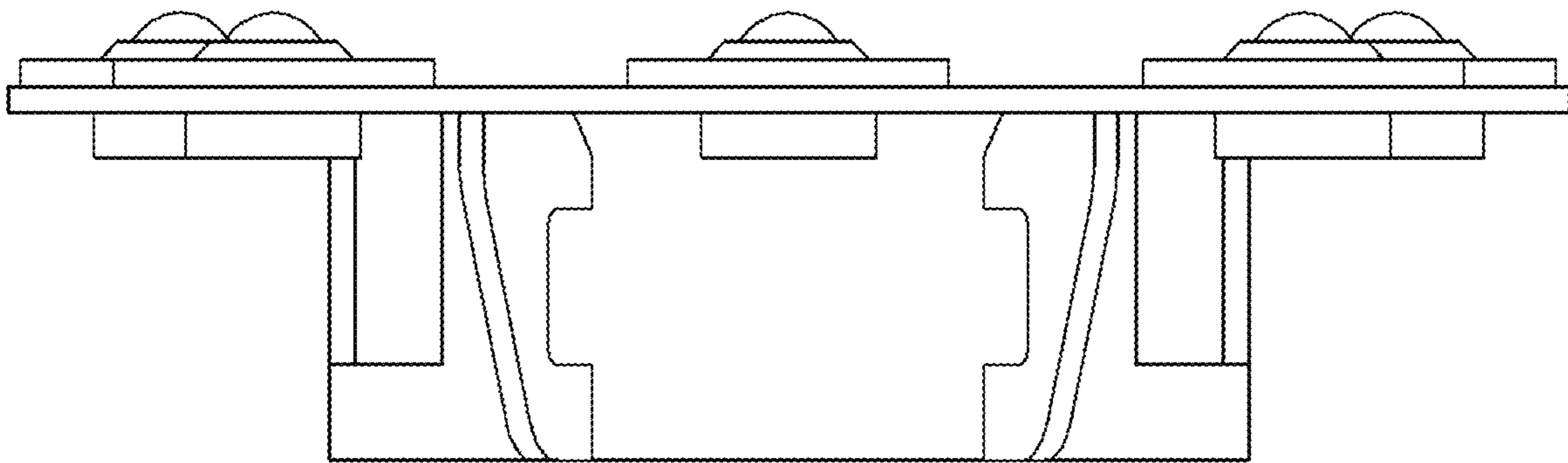


FIG. 3

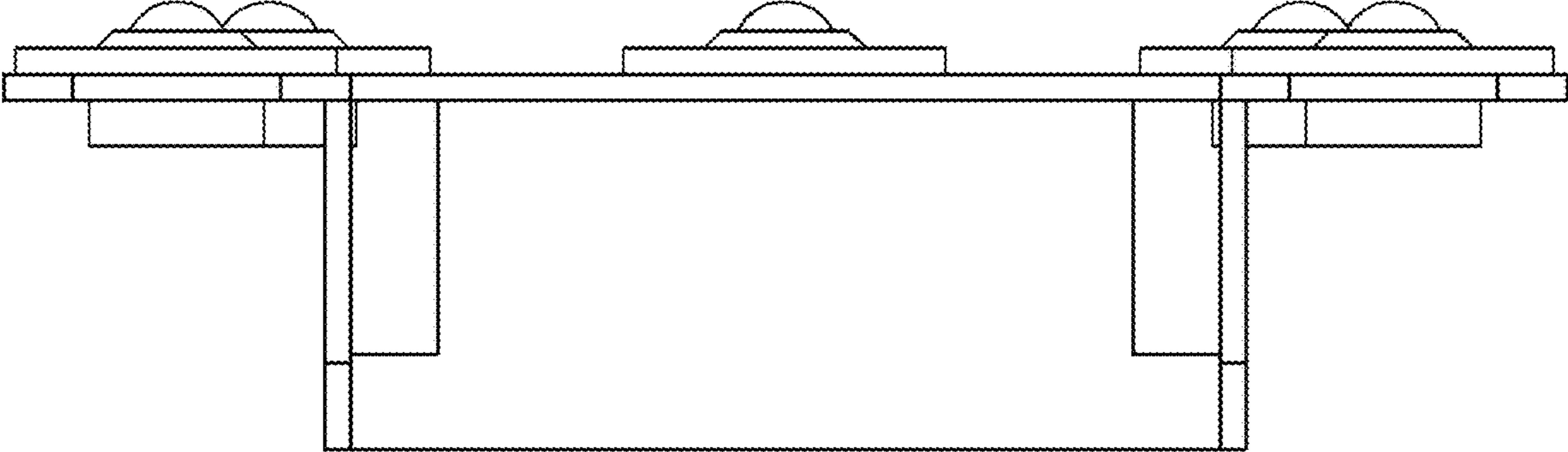


FIG. 4

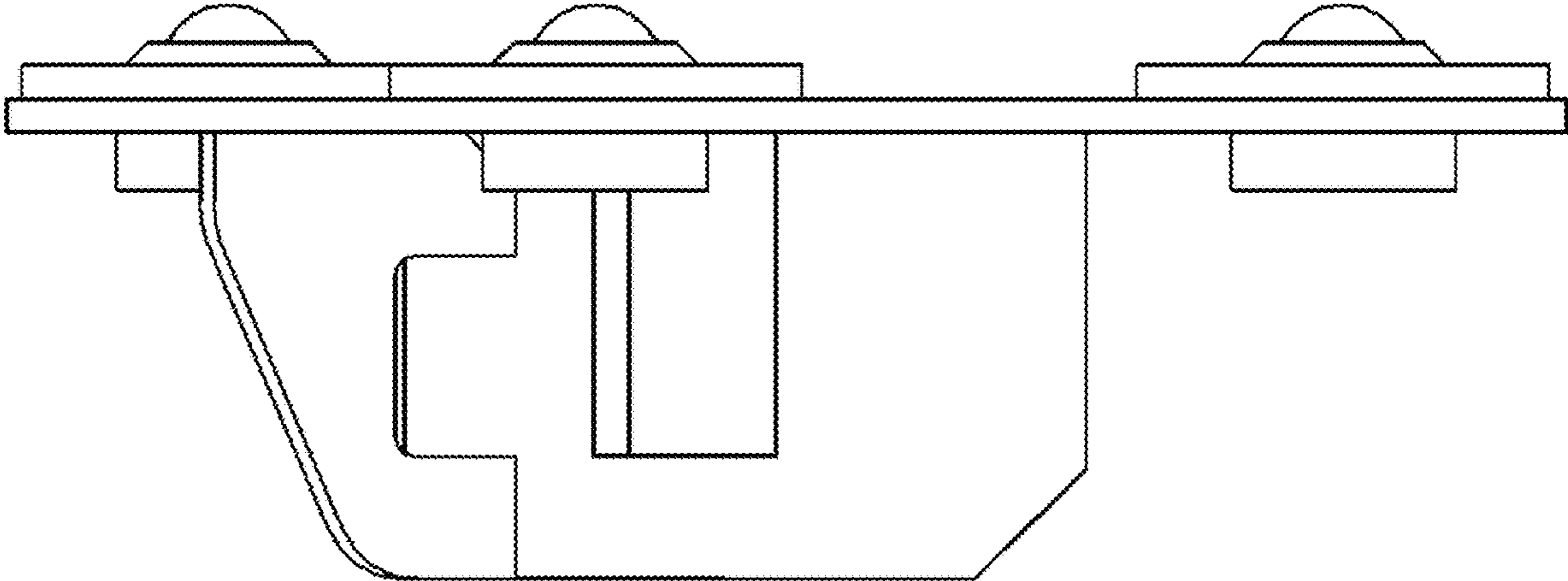


FIG. 5

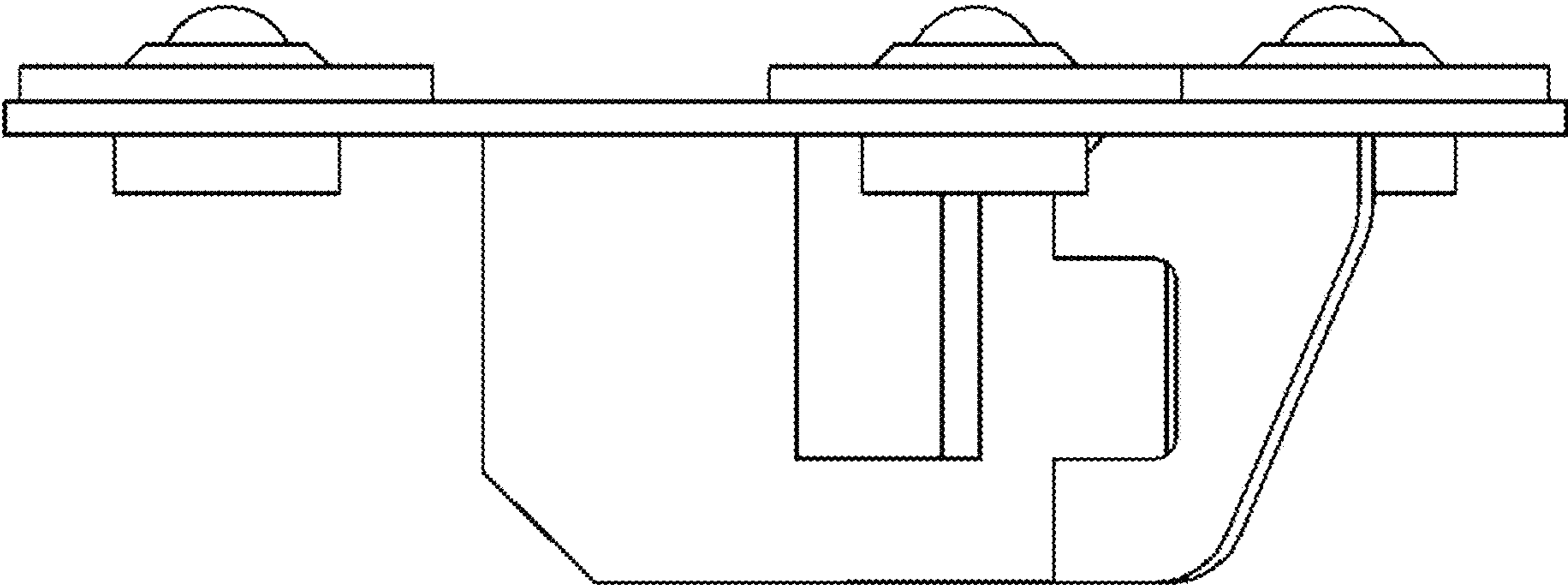


FIG. 6

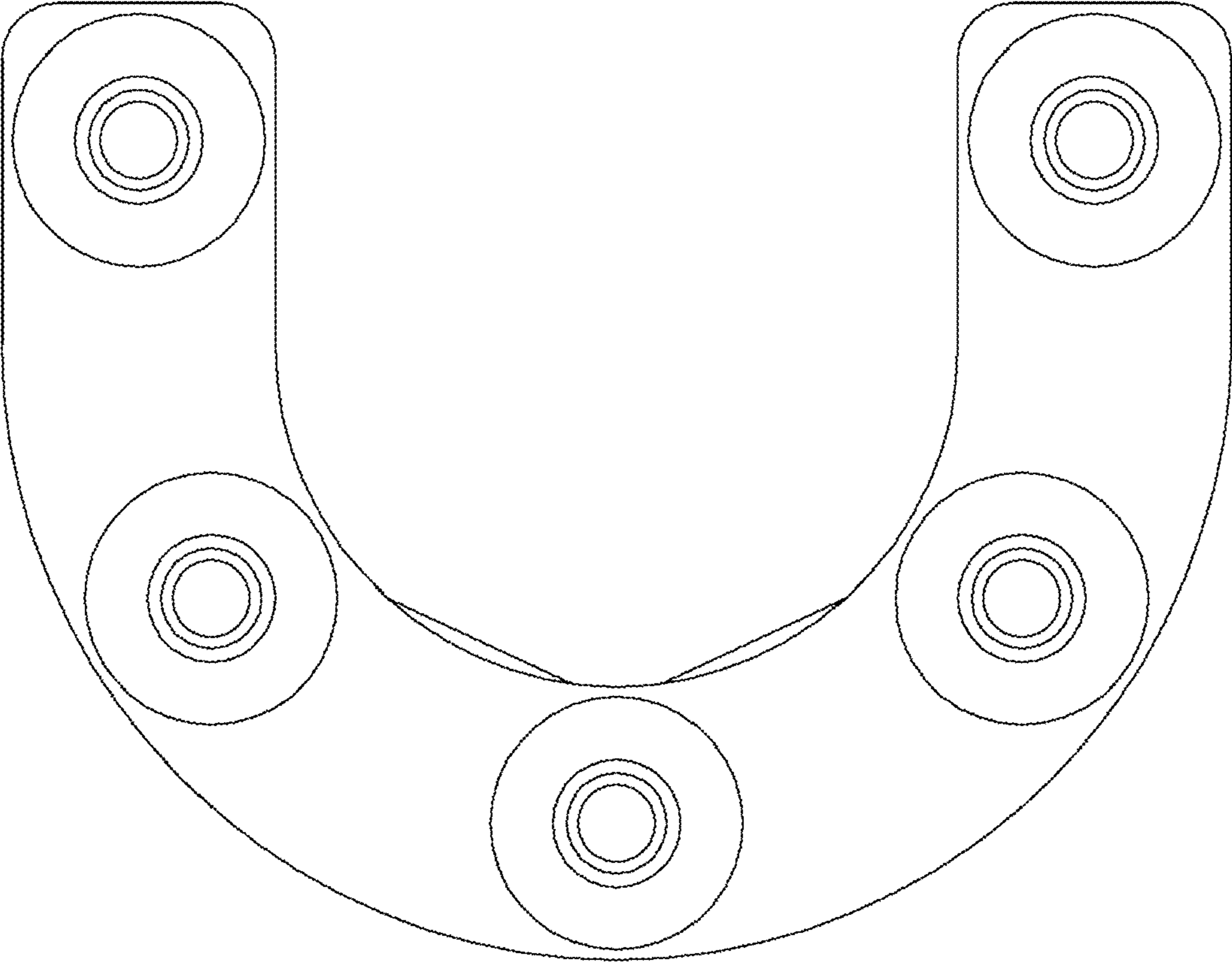


FIG. 7

