



US00D913996S

(12) **United States Design Patent** (10) **Patent No.:** **US D913,996 S**
Sano (45) **Date of Patent:** **** Mar. 23, 2021**

(54) **MICROPHONE**
(71) Applicant: **Audio-Technica Corporation**, Tokyo (JP)
(72) Inventor: **Yusuke Sano**, Tokyo (JP)
(73) Assignee: **AUDIO-TECHNICA CORPORATION**, Tokyo (JP)

(**) Term: **15 Years**
(21) Appl. No.: **29/659,040**
(22) Filed: **Aug. 6, 2018**

(30) **Foreign Application Priority Data**
Feb. 7, 2018 (JP) 2018-002378
(51) **LOC (13) Cl.** **14-01**
(52) **U.S. Cl.**
USPC **D14/225**
(58) **Field of Classification Search**
USPC D14/221, 224, 225, 226, 227, 228, 229,
D14/150, 154, 155, 158, 160, 172
CPC H04R 19/04; H04R 19/00; H04R 1/406;
H04R 1/08; H04R 1/04; H04R 1/326;
H04R 29/004; H04R 2410/00; H04R
2410/01; H04R 2410/03; H04R 2410/05;
H04R 2410/07; H04R 2420/07; H04R
17/02
See application file for complete search history.

(56) **References Cited**
U.S. PATENT DOCUMENTS
D230,990 S * 3/1974 Kollesberger D14/228
D328,621 S * 8/1992 Kabayashi D14/160
D338,204 S * 8/1993 Takao D14/226
5,812,685 A * 9/1998 Fujita H04R 1/403
181/144
D504,126 S * 4/2005 Saulespurens D14/228
D769,959 S * 10/2016 Jia D14/228
D822,647 S * 7/2018 Bonikowski D14/228
D859,370 S * 9/2019 Slaton D14/225

2009/0169043 A1* 7/2009 Josephson H04R 1/086
381/355
2016/0219365 A1* 7/2016 Elko H04R 3/005
2019/0246191 A1* 8/2019 Sano H04R 1/08

FOREIGN PATENT DOCUMENTS

CN 201830422229.3 * 8/2018

OTHER PUBLICATIONS

Blue Microphones Bluebird SL Large, announced © 2020 [online],
retrieved Mar. 31, 2020, retrieved from internet, https://www.palenmusic.com/products/blue-microphones-bluebird?variant=29253961158¤cy=USD&utm_campaign=gs-2018-10-16&utm_source=google&utm_medium=smart_campaign&gclid=Cj0KCQjw1lv0BRDaARIsAGTWD1svjc.*

* cited by examiner

Primary Examiner — Dana K Weiland
Assistant Examiner — Messina L Smith
(74) *Attorney, Agent, or Firm* — W&C IP

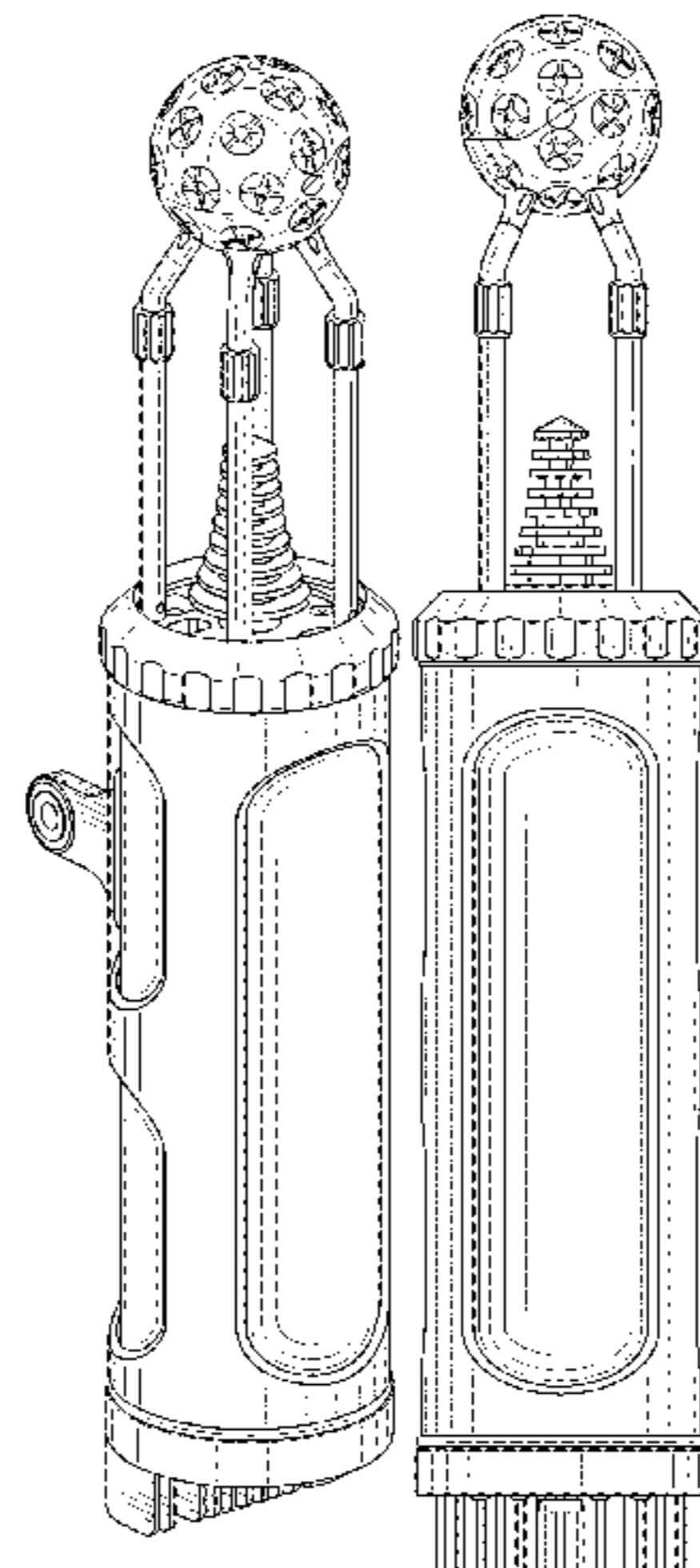
(57) **CLAIM**

The ornamental design for a microphone, as shown and described.

DESCRIPTION

FIG. 1 is a perspective view of a microphone, showing my new design;
FIG. 2 is a front view thereof;
FIG. 3 is a rear view thereof;
FIG. 4 is a left side view thereof;
FIG. 5 is a right side view thereof;
FIG. 6 is a top plan view thereof;
FIG. 7 is a bottom plan view thereof; and,
FIG. 8 is a perspective view of the microphone shown in an environment of use.
The broken line showing of the stand in FIG. 8 depicts environment and forms no part of the claimed design. All

(Continued)



other broken lines depict portions of the microphone that form no part of the claimed design.

1 Claim, 7 Drawing Sheets

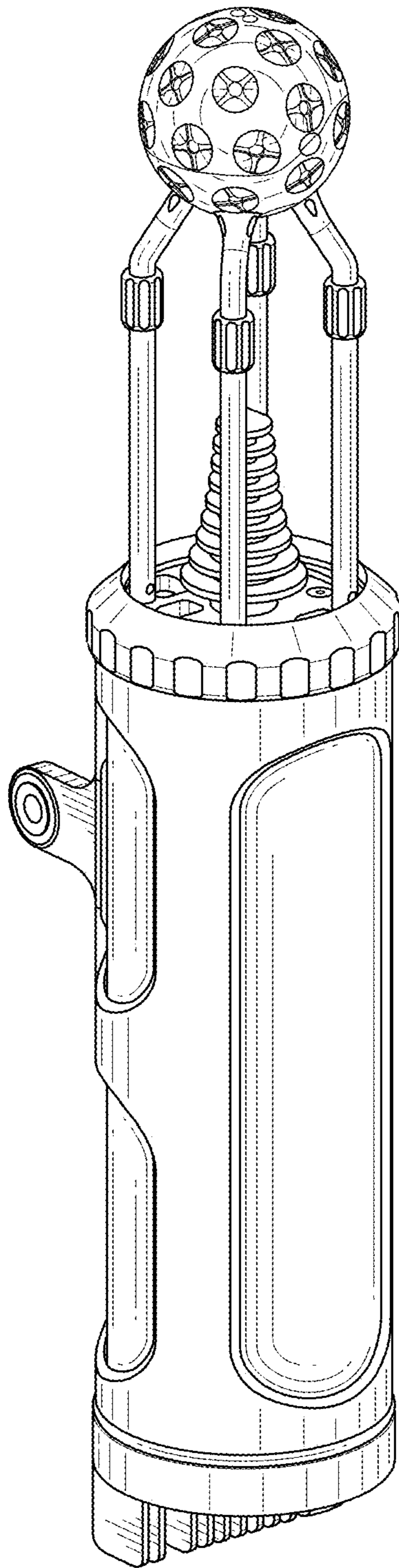


FIG. 1

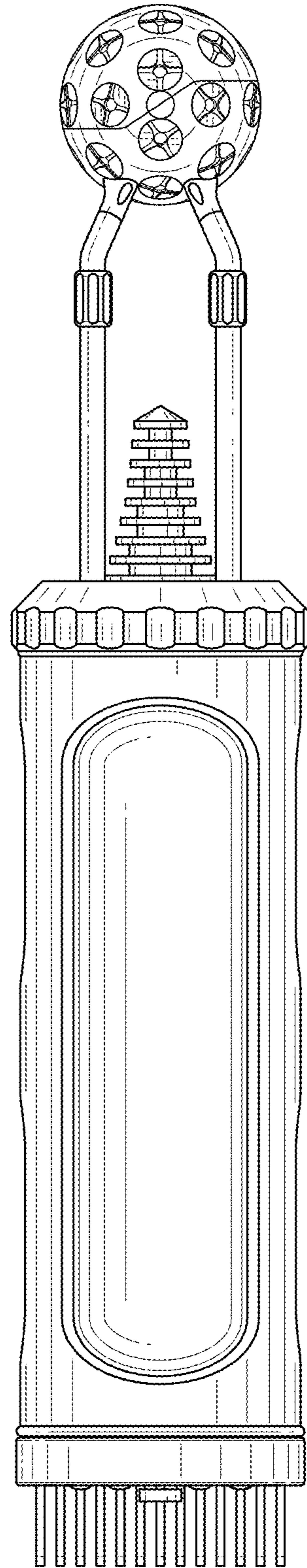


FIG. 2

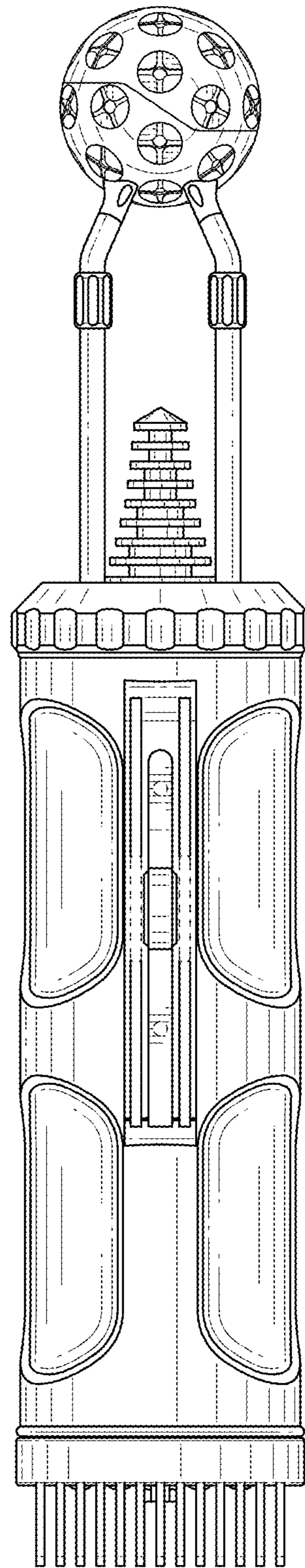


FIG. 3

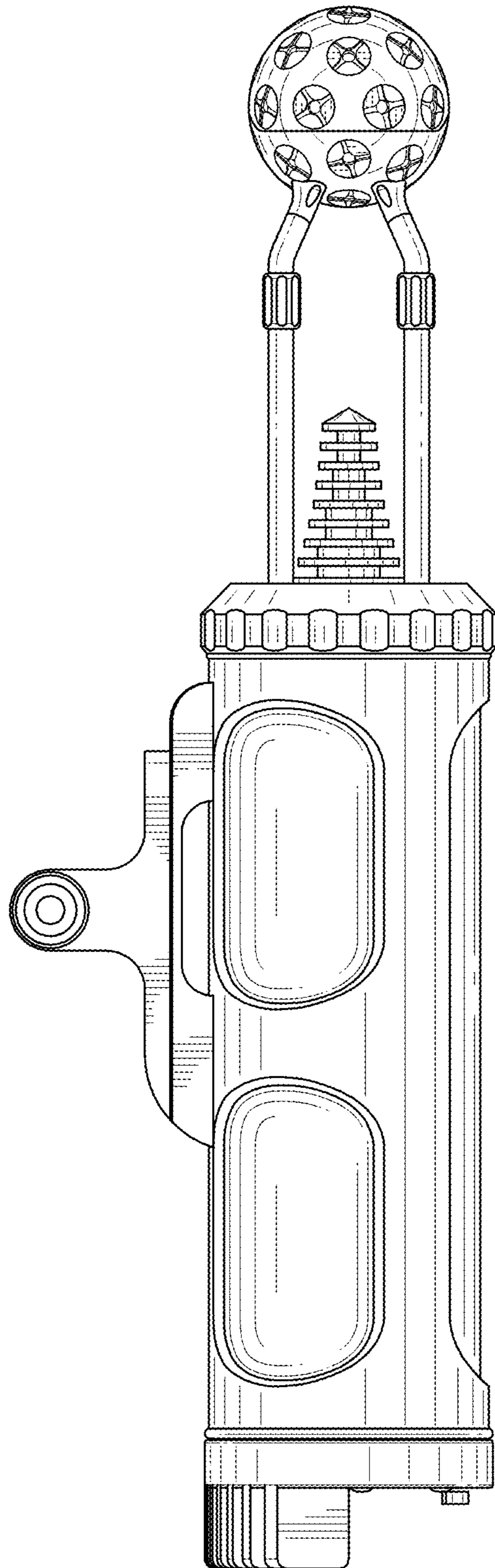


FIG.4

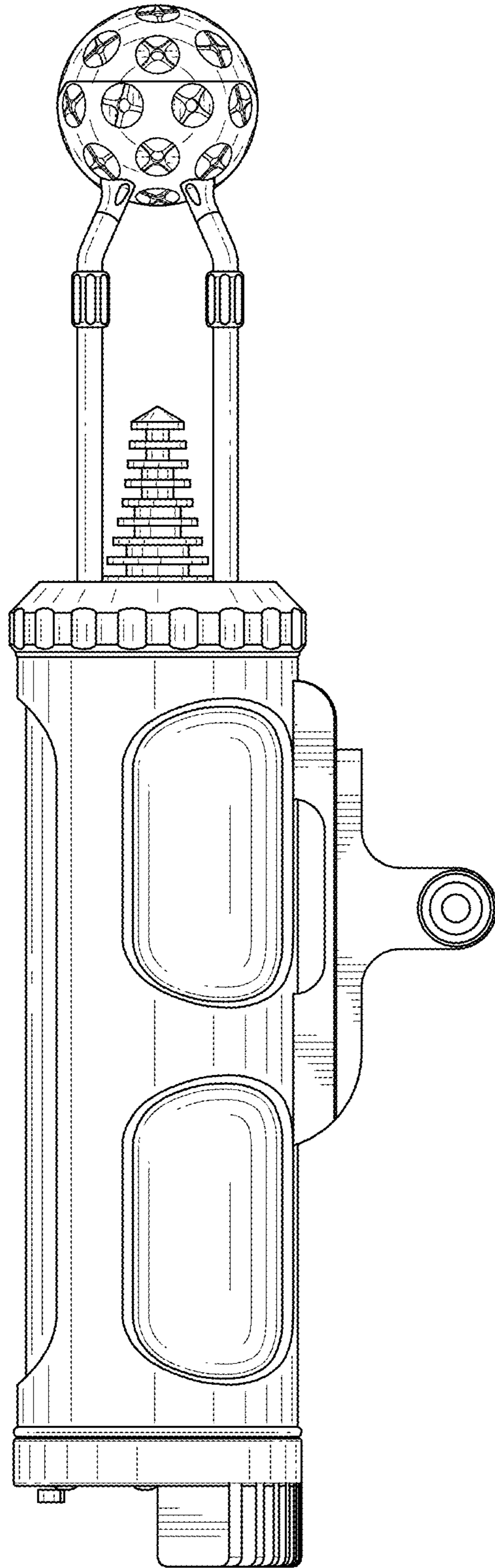


FIG. 5

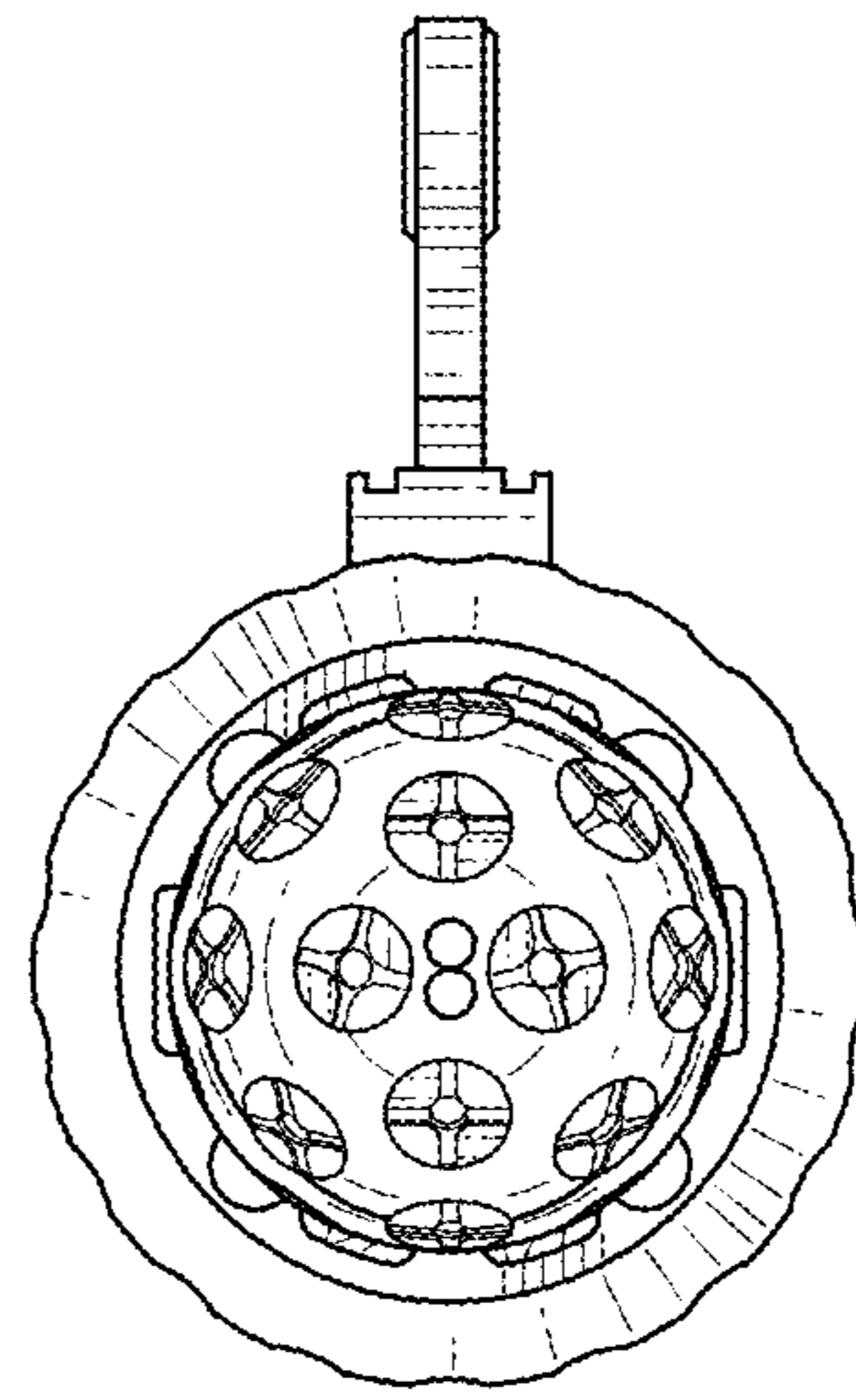


FIG. 6

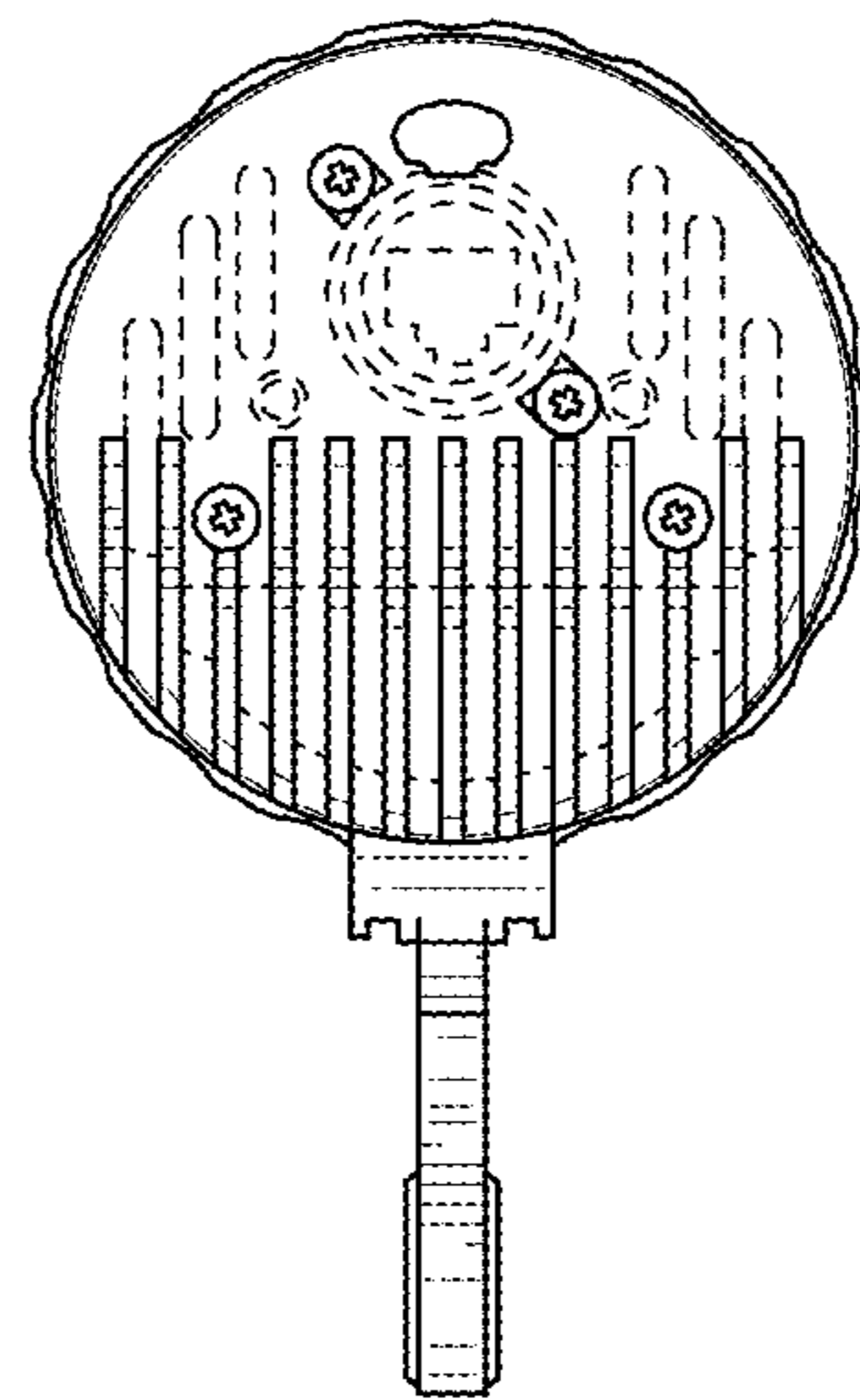


FIG. 7

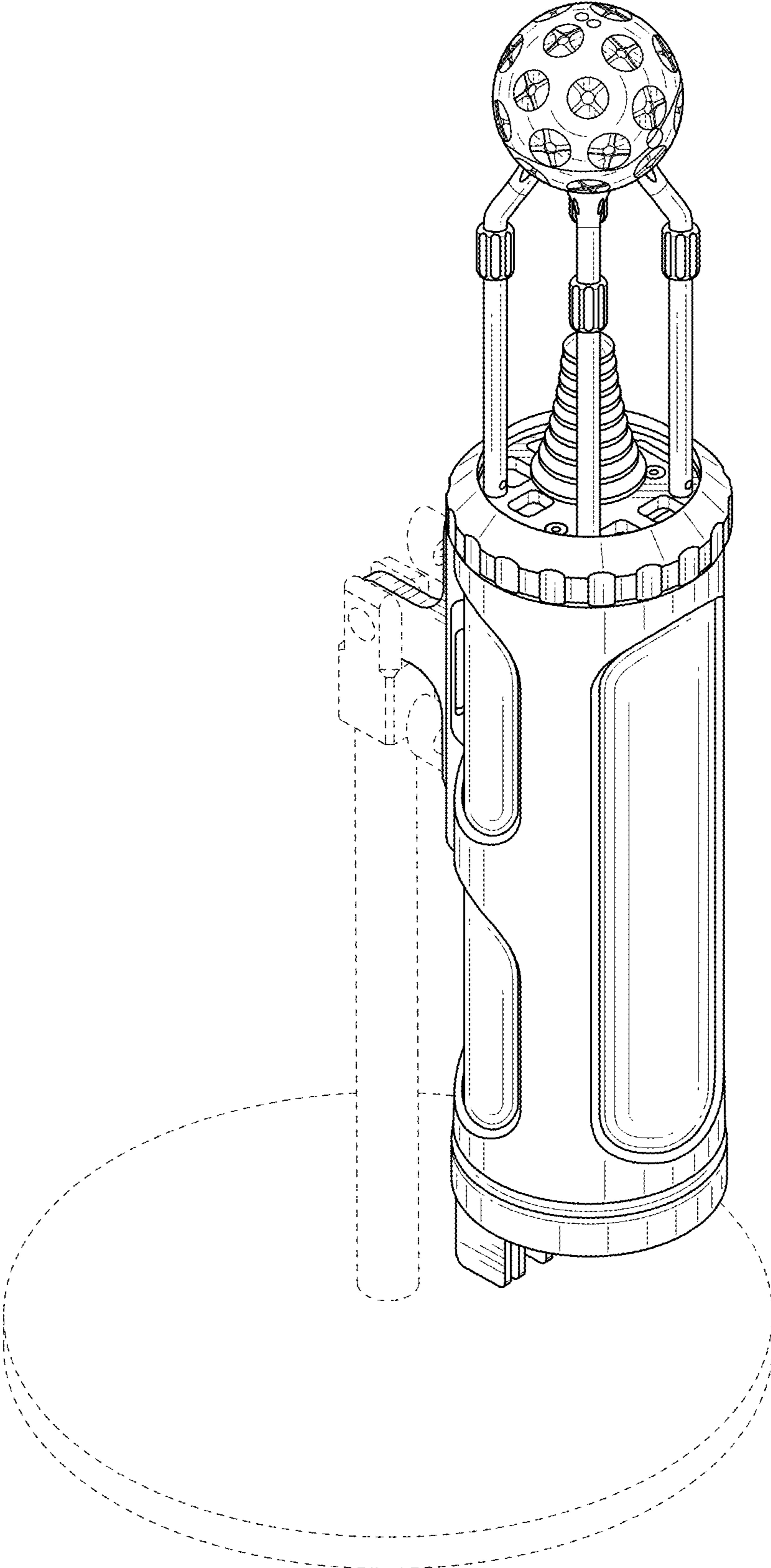


FIG.8